



US00D879733S

(12) **United States Design Patent** (10) **Patent No.:** **US D879,733 S**  
**Fan et al.** (45) **Date of Patent:** **\*\* \*Mar. 31, 2020**

(54) **MOBILE PHONE**

FOREIGN PATENT DOCUMENTS

(71) Applicant: **Guangdong Oppo Mobile Telecommunications Corp., Ltd.**, Dongguan, Guangdong (CN)

CN 302725932 S 1/2014  
CN 304642219 S 5/2018

(Continued)

(72) Inventors: **Xiaoyu Fan**, Guangdong (CN); **Zhengshan Zhang**, Guangdong (CN)

*Primary Examiner* — Bridget L Eland

(74) *Attorney, Agent, or Firm* — Young Basile Hanlon & MacFarlane, P.C.

(73) Assignee: **GUANGDONG OPPO MOBILE TELECOMMUNICATIONS CORP., LTD.**, Dongguan (CN)

(57) **CLAIM**

The ornamental design for a mobile phone, as shown and described.

(\*) Notice: This patent is subject to a terminal disclaimer.

**DESCRIPTION**

(\*\*) Term: **15 Years**

FIG. 1 is a front, right perspective view of a mobile phone showing our new design;

(21) Appl. No.: **29/663,264**

FIG. 2 is a front, left perspective view of the mobile phone of FIG. 1;

(22) Filed: **Sep. 13, 2018**

FIG. 3 is a rear, right perspective view of the mobile phone of FIG. 1;

(30) **Foreign Application Priority Data**

Mar. 16, 2018 (CN) ..... 2018 3 0103604

May 24, 2018 (CN) ..... 2018 3 0260880

(51) **LOC (12) Cl.** ..... **14-03**

(52) **U.S. Cl.**  
USPC ..... **D14/138 AD; D14/138 G**

(58) **Field of Classification Search**  
USPC ..... D14/248, 138 G, 138 AD, 138 AB, D14/138 AA

FIG. 4 is a front view of the mobile phone of FIG. 1;

FIG. 5 is a rear view of the mobile phone of FIG. 1;

FIG. 6 is a left side view of the mobile phone of FIG. 1;

FIG. 7 is a right side view of the mobile phone of FIG. 1;

FIG. 8 is a top plan view of the mobile phone of FIG. 1;

FIG. 9 is a bottom plan view of the mobile phone of FIG. 1;

FIG. 10 is a front, right perspective view of the mobile phone of FIG. 1 in a closed state;

FIG. 11 is a front, left perspective view of the mobile phone of FIG. 1 in the closed state;

FIG. 12 is a rear, right perspective view of the mobile phone of FIG. 1 in the closed state;

FIG. 13 is a front view of the mobile phone of FIG. 1 in the closed state;

FIG. 14 is a rear view of the mobile phone of FIG. 1 in the closed state;

FIG. 15 is a left side view of the mobile phone of FIG. 1 in the closed state; and,

FIG. 16 is a right side view of the mobile phone of FIG. 1 in the closed state.

(Continued)

(56) **References Cited**

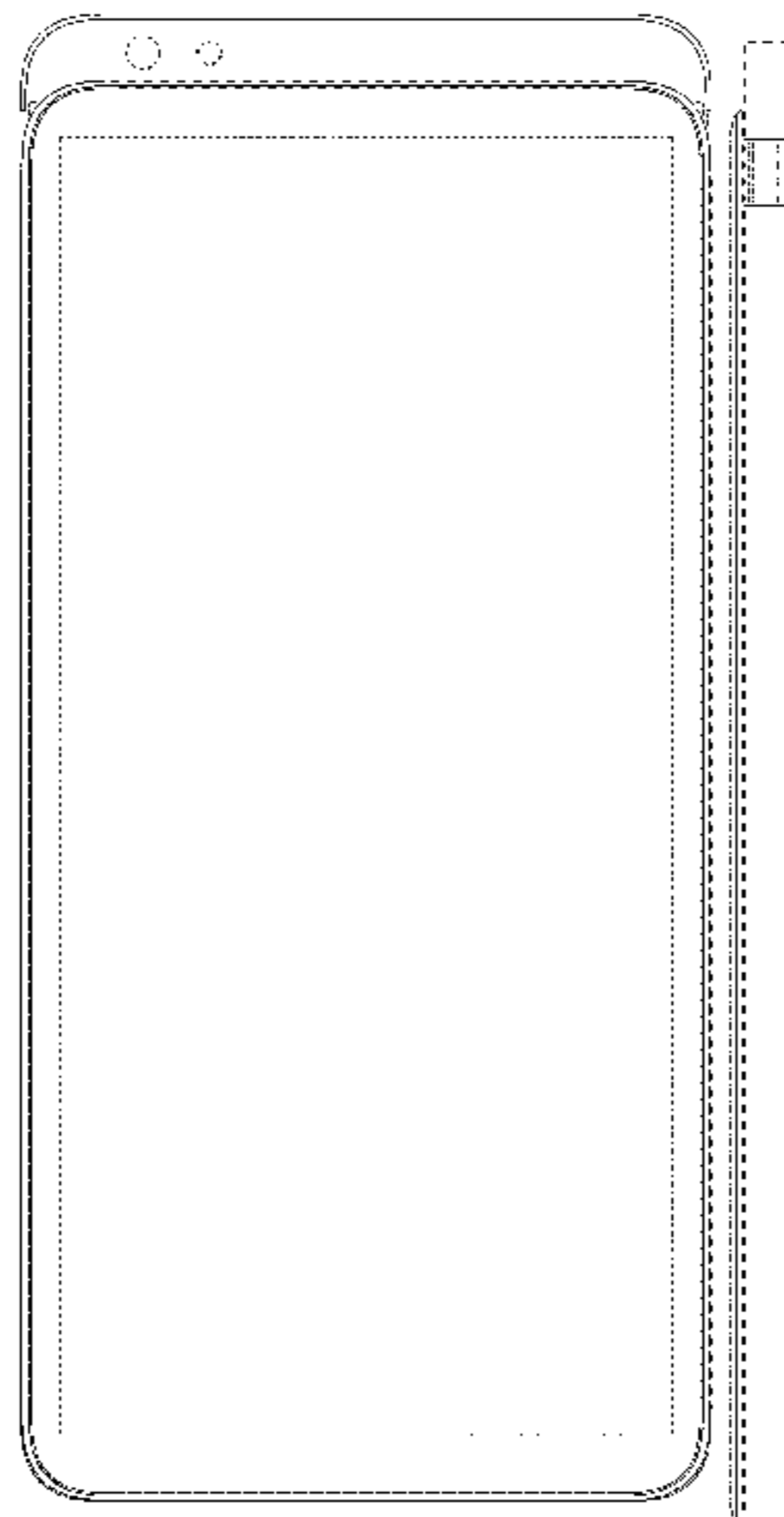
U.S. PATENT DOCUMENTS

D579,904 S \* 11/2008 Kim ..... D14/138 AD

D586,310 S \* 2/2009 Park ..... D14/138 AD

(Continued)

(Continued)



The top view of the mobile phone of FIG. 1 in the closed state is the same as FIG. 8, and the bottom view of the mobile phone of FIG. 1 in the closed state is the same as FIG. 9.

The broken lines in the figures show portions of the mobile phone and environment that form no part of the claimed design.

**1 Claim, 11 Drawing Sheets**

(58) **Field of Classification Search**

CPC .... H04M 1/02; H04M 1/0279; H04M 1/0202;  
H04M 1/0283; H04M 1/0268

See application file for complete search history.

(56) **References Cited**

U.S. PATENT DOCUMENTS

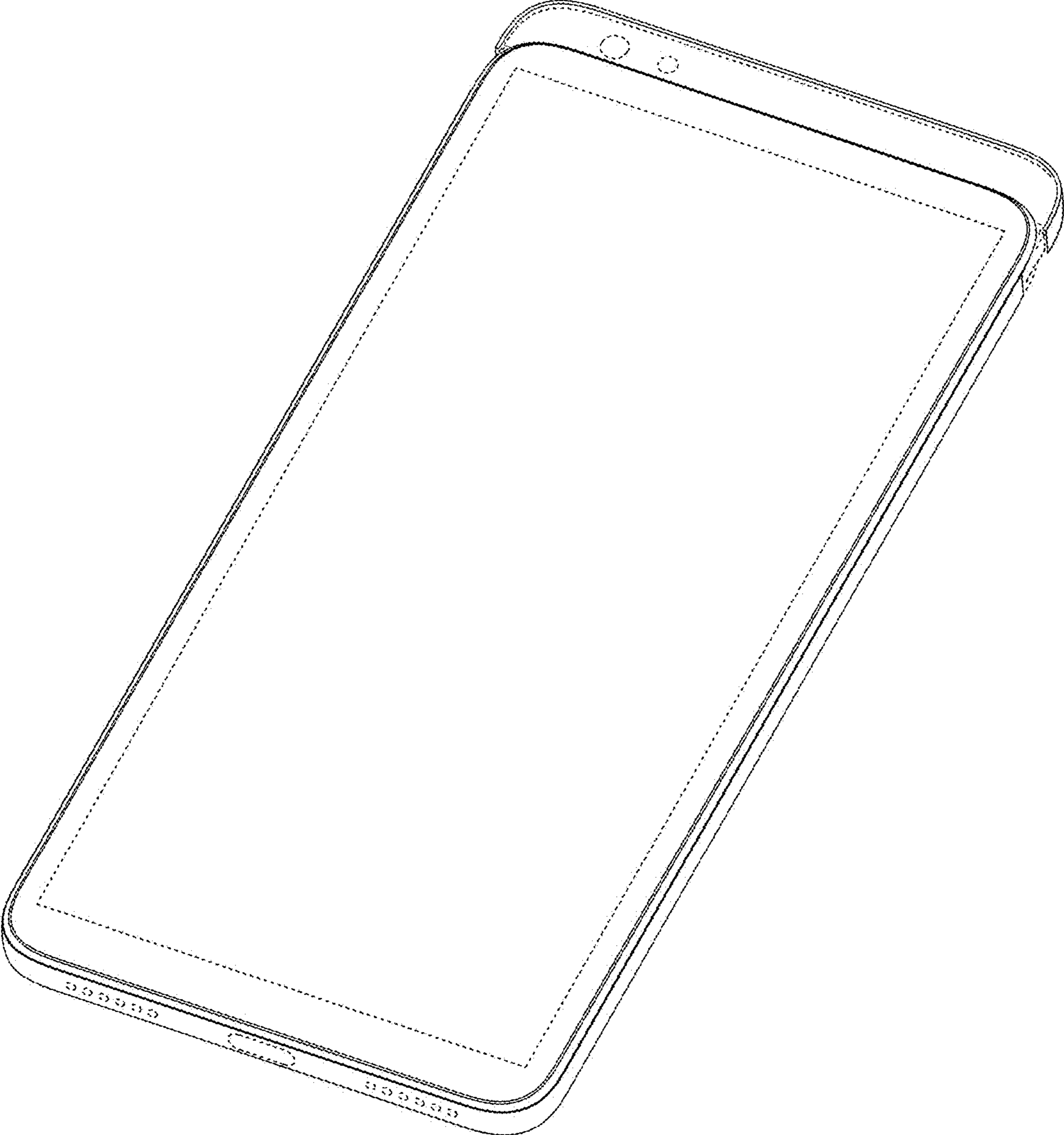
D589,920	S	*	4/2009	Choi	.....	D14/138	AD
D592,171	S	*	5/2009	Chen	.....	D14/138	AD
D593,058	S	*	5/2009	Harju	.....	D14/138	AD
D622,252	S	*	8/2010	Kim	.....	D14/138	AB
D706,738	S	*	6/2014	Kim	.....	D14/138	G
D721,347	S	*	1/2015	Lee	.....	D14/138	G
D729,757	S	*	5/2015	Lee	.....	D14/138	G
D731,453	S	*	6/2015	Park	.....	D14/138	G
D733,693	S	*	7/2015	Wang et al.	.....		
D734,285	S	*	7/2015	Park	.....	D14/138	G
D738,840	S	*	9/2015	Kim	.....	D14/138	G
D738,841	S	*	9/2015	Kim	.....	D14/138	G
D744,973	S	*	12/2015	Lee	.....	D14/138	G

D763,218	S	*	8/2016	Lim	.....	D14/138	G
D764,431	S	*	8/2016	Hibi	.....	D14/138	G
D798,854	S	*	10/2017	Babichenko	.....		
D822,017	S	*	7/2018	Noh	.....	D14/341	
D822,633	S	*	7/2018	Yeom	.....	D14/138	AB
D825,516	S	*	8/2018	Li	.....	D14/138	G
D829,186	S	*	9/2018	Kim	.....	D14/138	G
D829,677	S	*	10/2018	Kim	.....	D14/138	G
D831,602	S	*	10/2018	Ryu	.....	D14/138	G
D834,552	S	*	11/2018	Ryu	.....	D14/138	G
D847,774	S	*	5/2019	Fendler	.....	D14/138	G
D848,390	S	*	5/2019	Cha	.....	D14/138	G
D849,707	S	*	5/2019	Choi	.....	D14/138	G
D849,708	S	*	5/2019	Park	.....	D14/138	G
D855,031	S	*	7/2019	Cho	.....	D14/138	G
D856,293	S	*	8/2019	Seo	.....	D14/138	G
D856,955	S	*	8/2019	Seo	.....	D14/138	G
D860,965	S	*	9/2019	Cho	.....	D14/138	G
10,419,589	B2	*	9/2019	Fan	.....	H04M 1/0266	
10,425,515	B2	*	9/2019	Fan	.....	H04M 1/0264	
D861,630	S	*	10/2019	Chiang	.....	D14/138	G
D869,422	S	*	12/2019	Cho	.....	D14/138	G
2019/0253533	A1	*	8/2019	Fan	.....	G06F 1/1686	
2019/0253540	A1	*	8/2019	Fan	.....	G06F 1/1686	
2019/0253541	A1	*	8/2019	Fan	.....	G06F 1/1686	
2019/0253542	A1	*	8/2019	Fan	.....	H04M 1/0237	
2019/0253543	A1	*	8/2019	Fan	.....	G06F 1/1686	
2019/0302841	A1	*	10/2019	Sun	.....	G06F 1/1686	

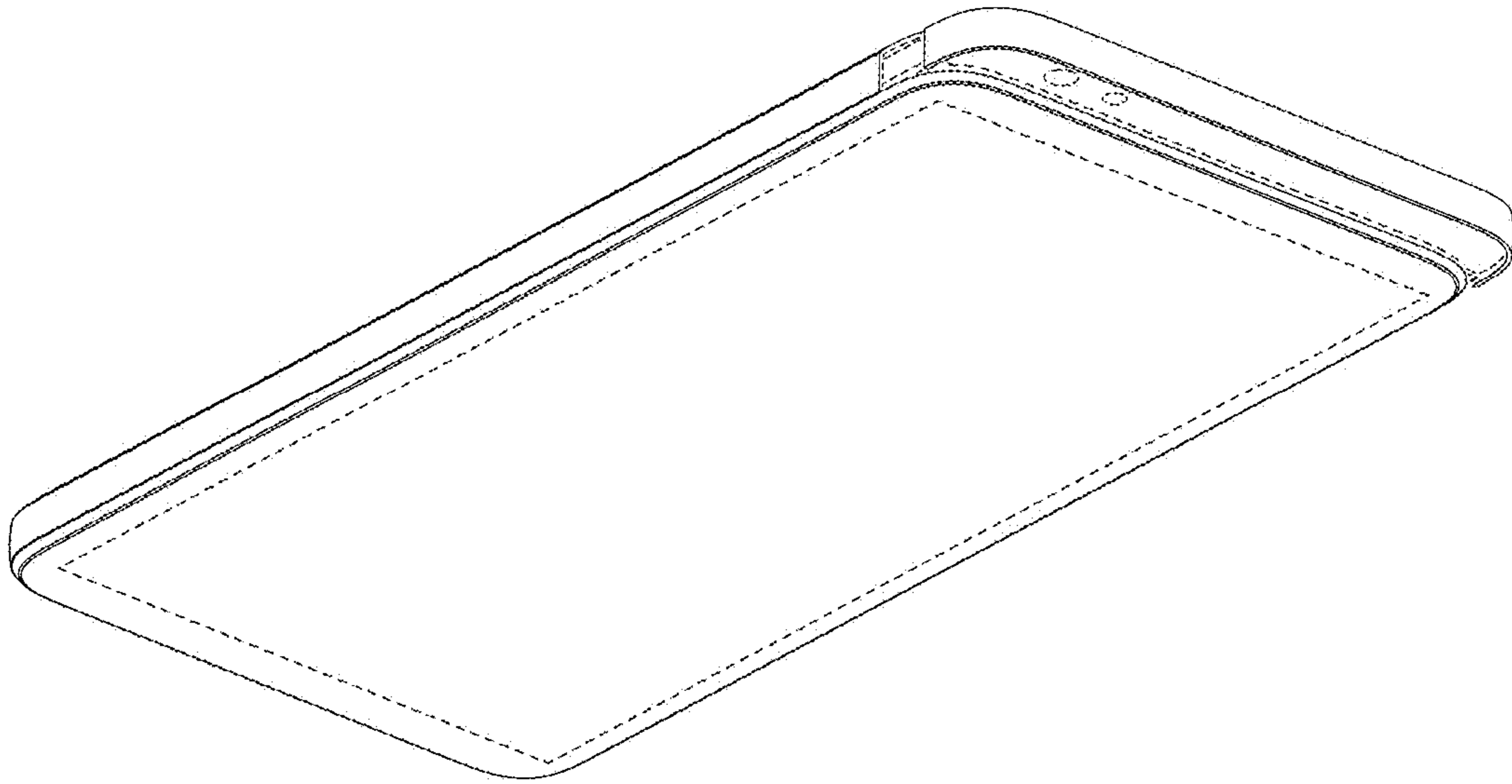
FOREIGN PATENT DOCUMENTS

JP	1572861	S	3/2017
JP	1581222	S	7/2017
TW	D184877	S	8/2017

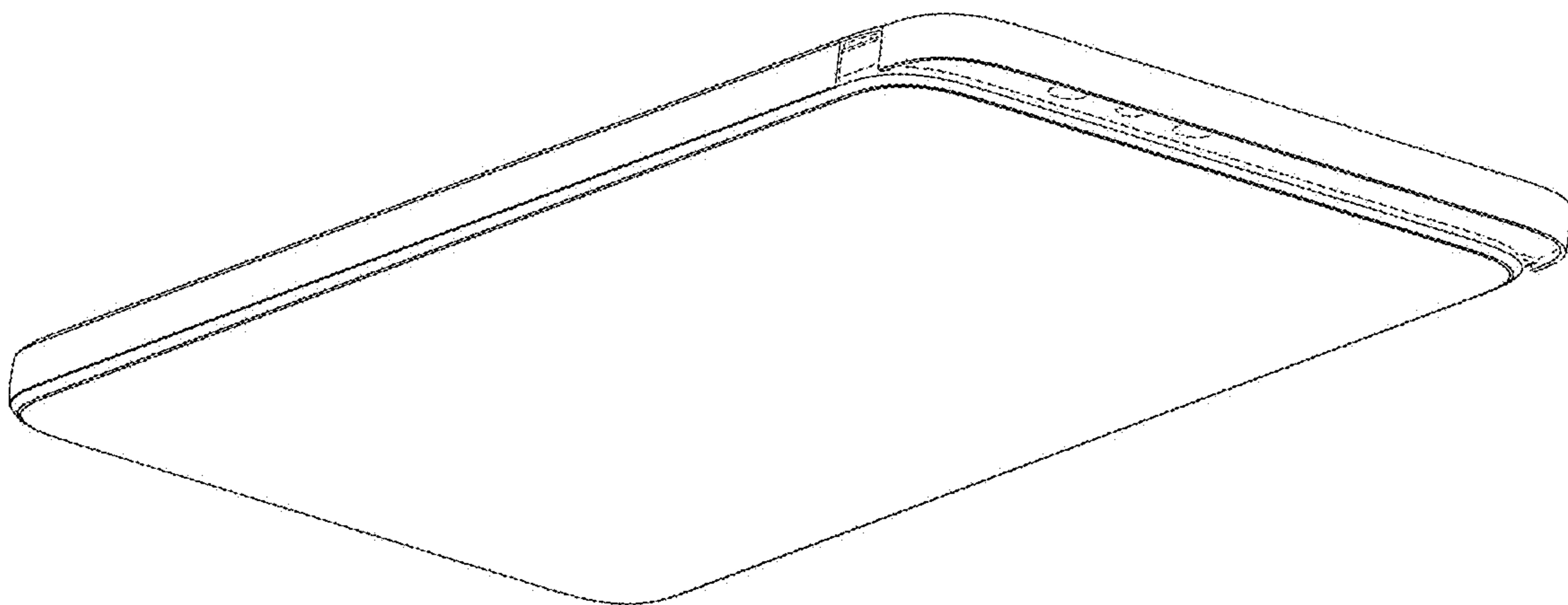
\* cited by examiner



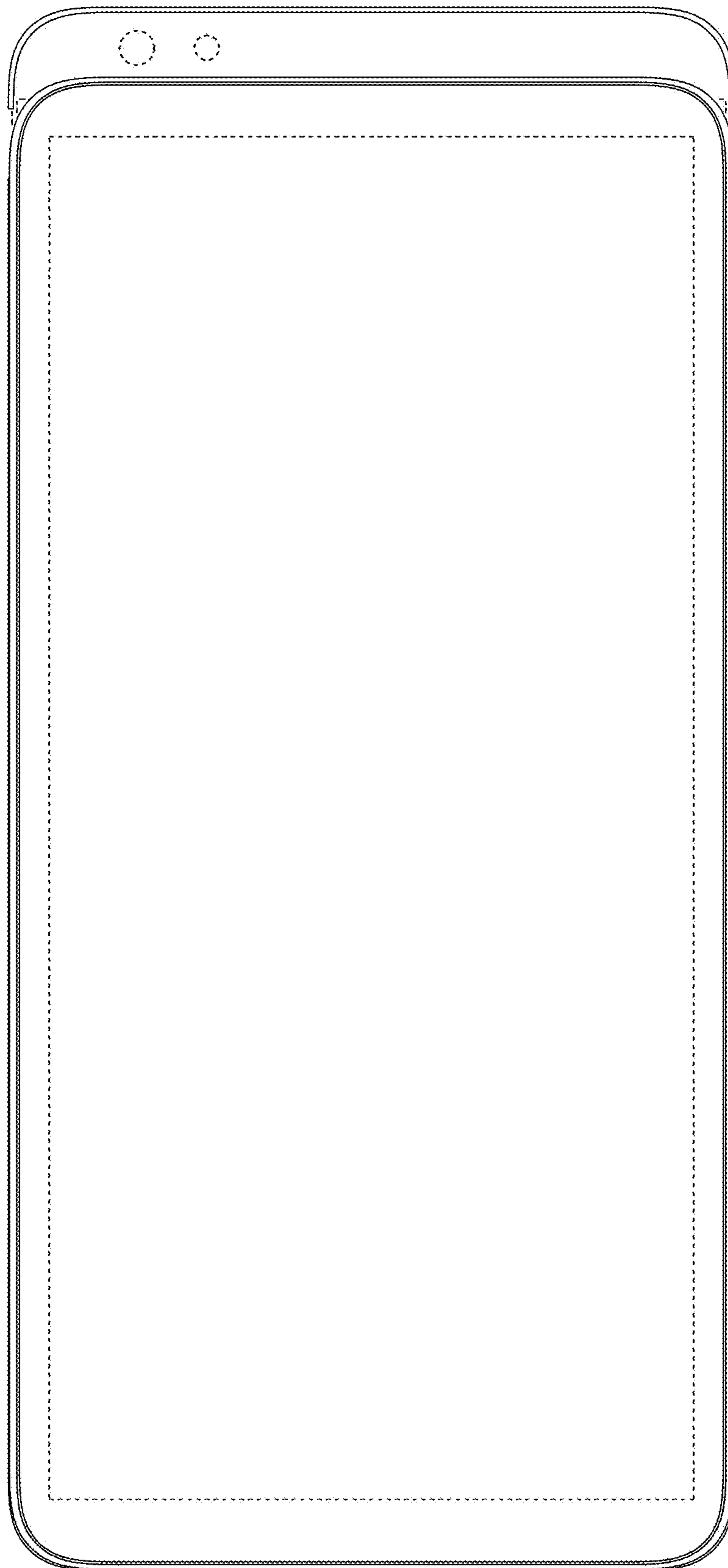
**FIG. 1**



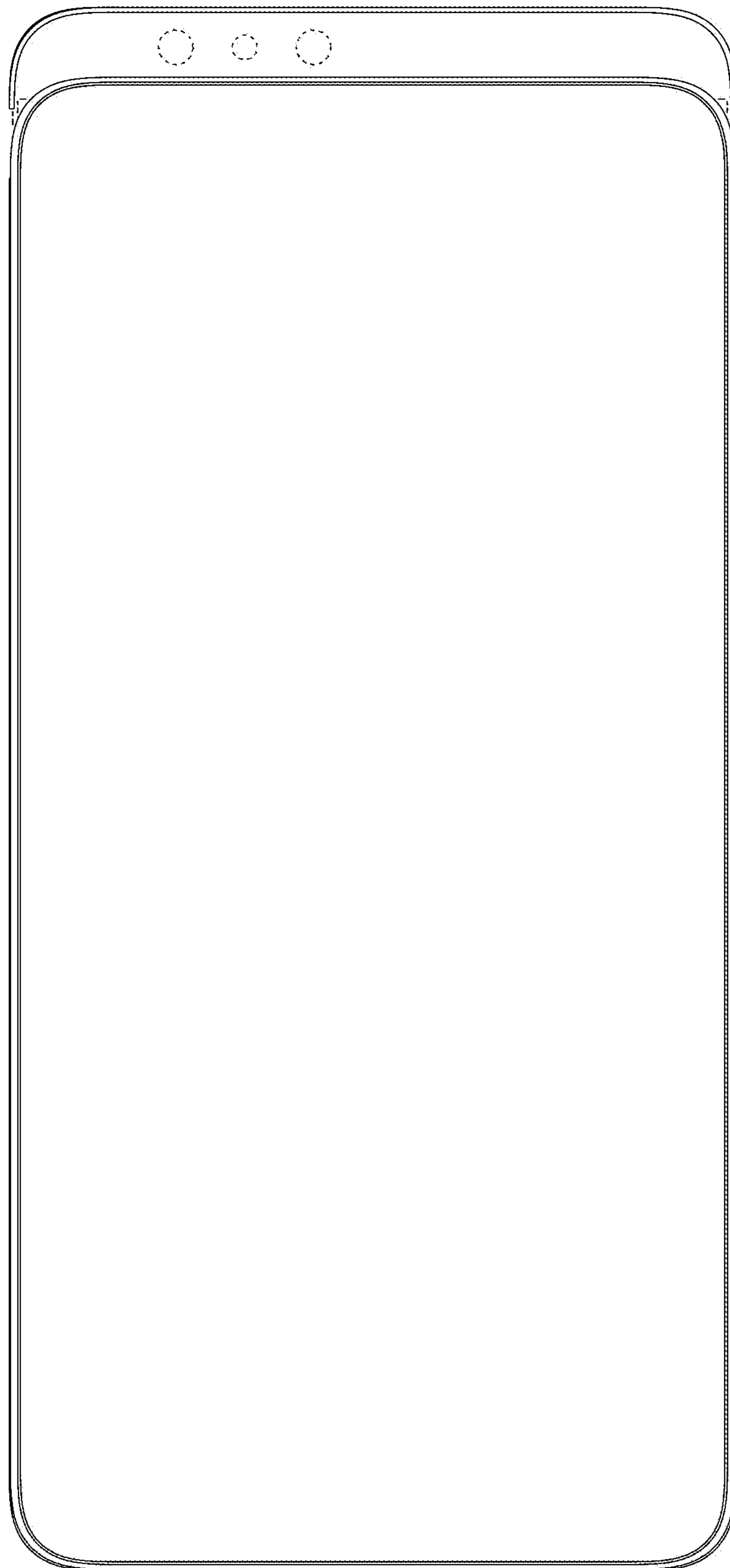
**FIG. 2**



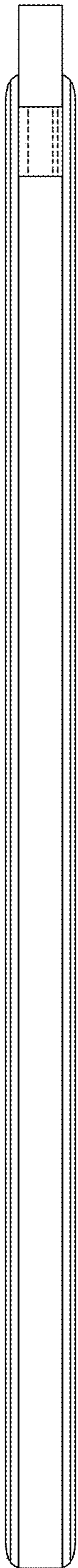
**FIG. 3**



**FIG. 4**



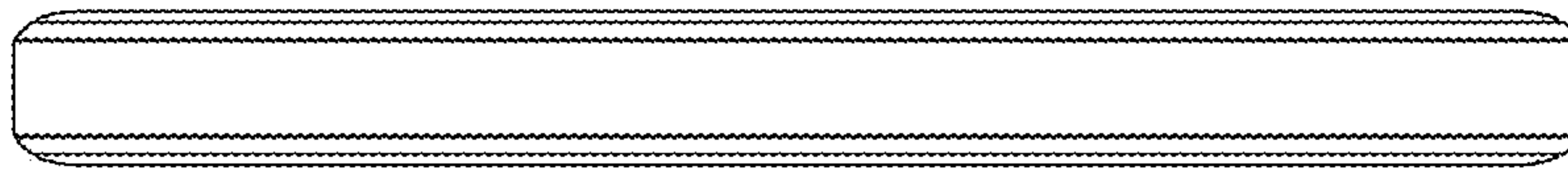
**FIG. 5**



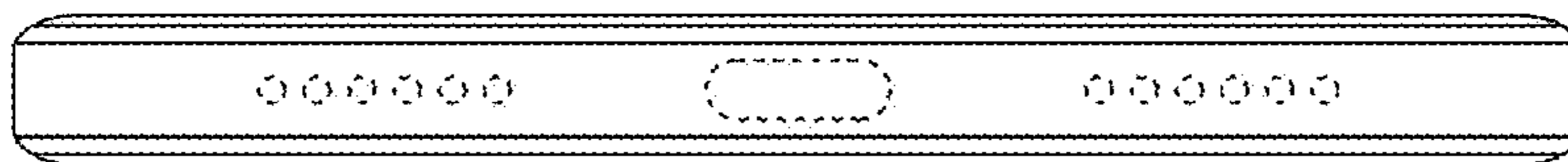
**FIG. 6**



**FIG. 7**

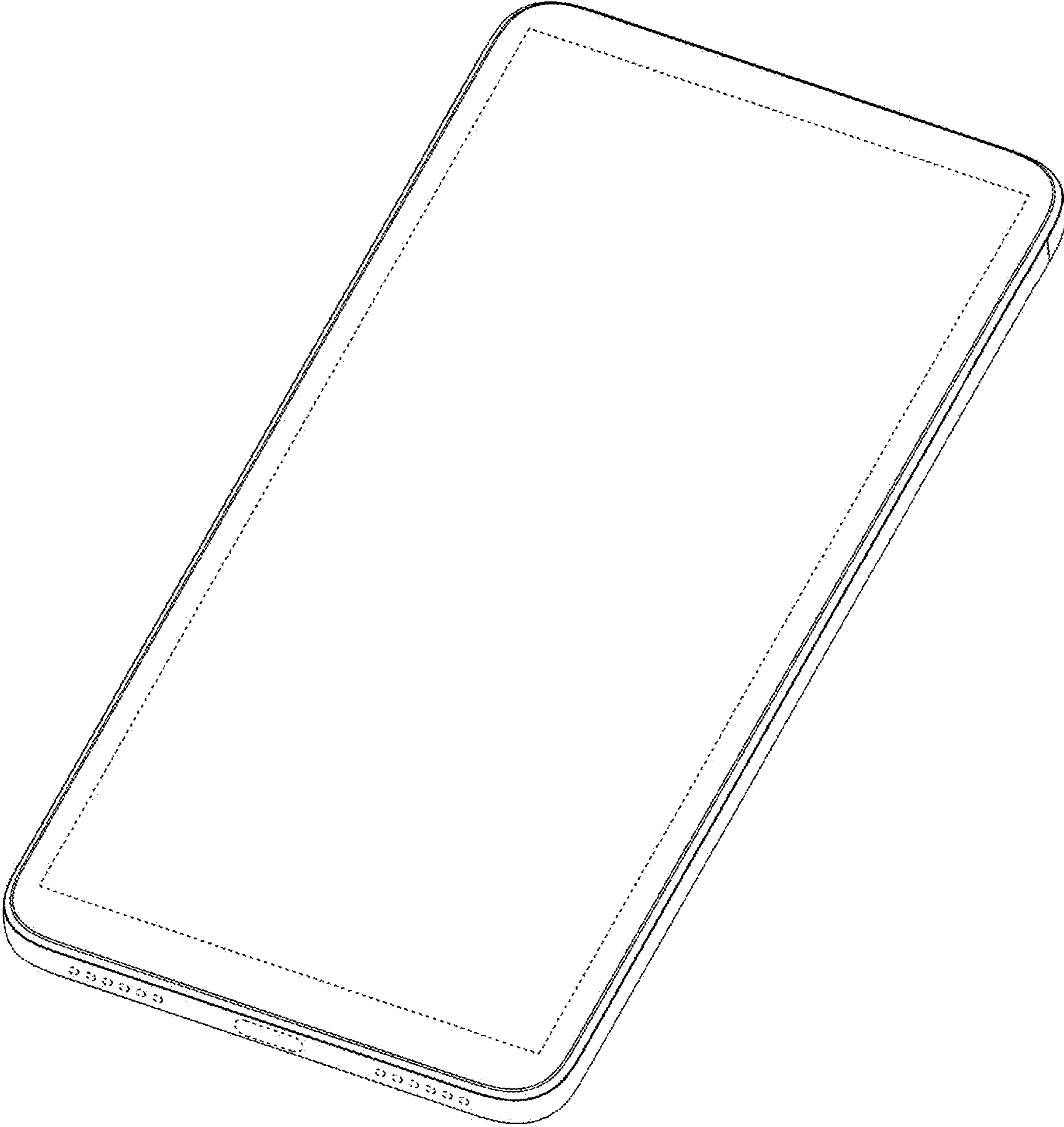


**FIG. 8**

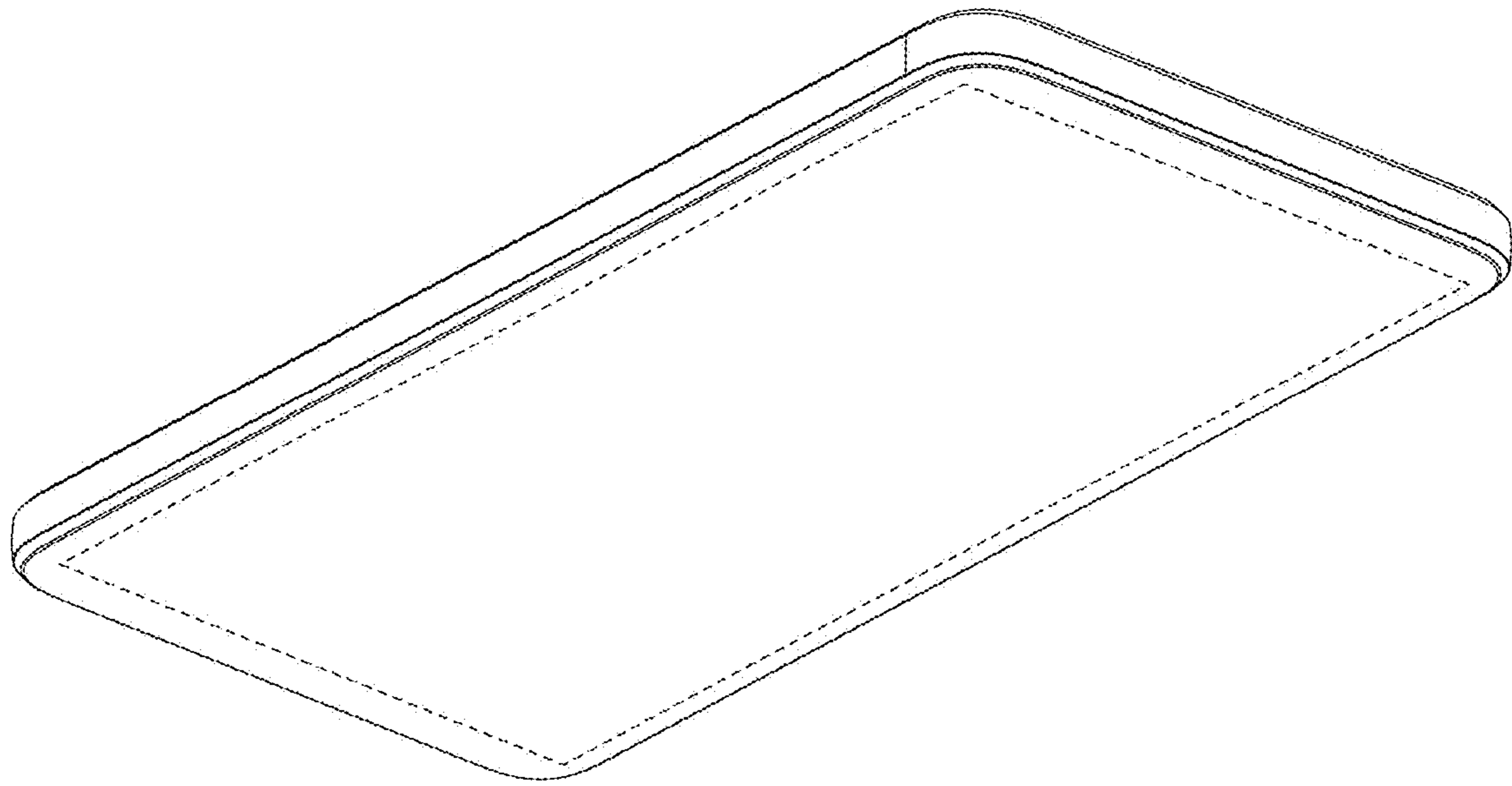


**FIG. 9**

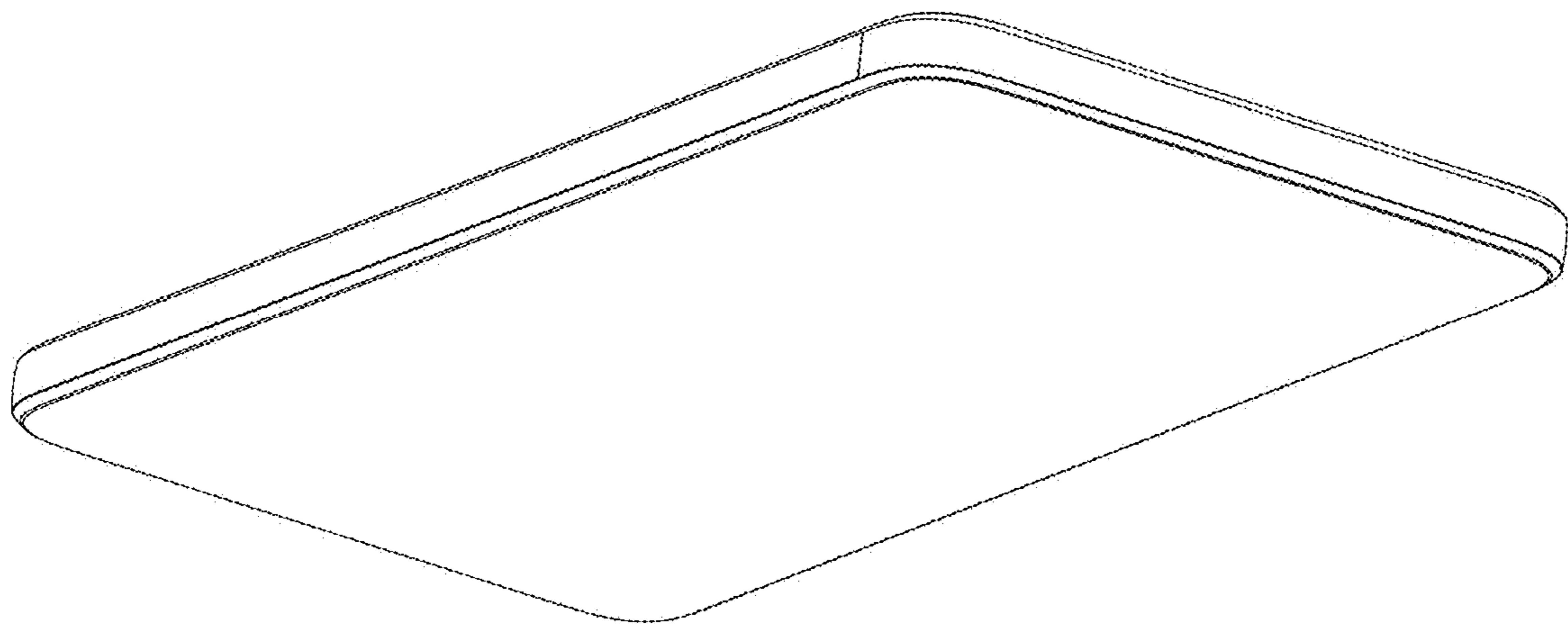




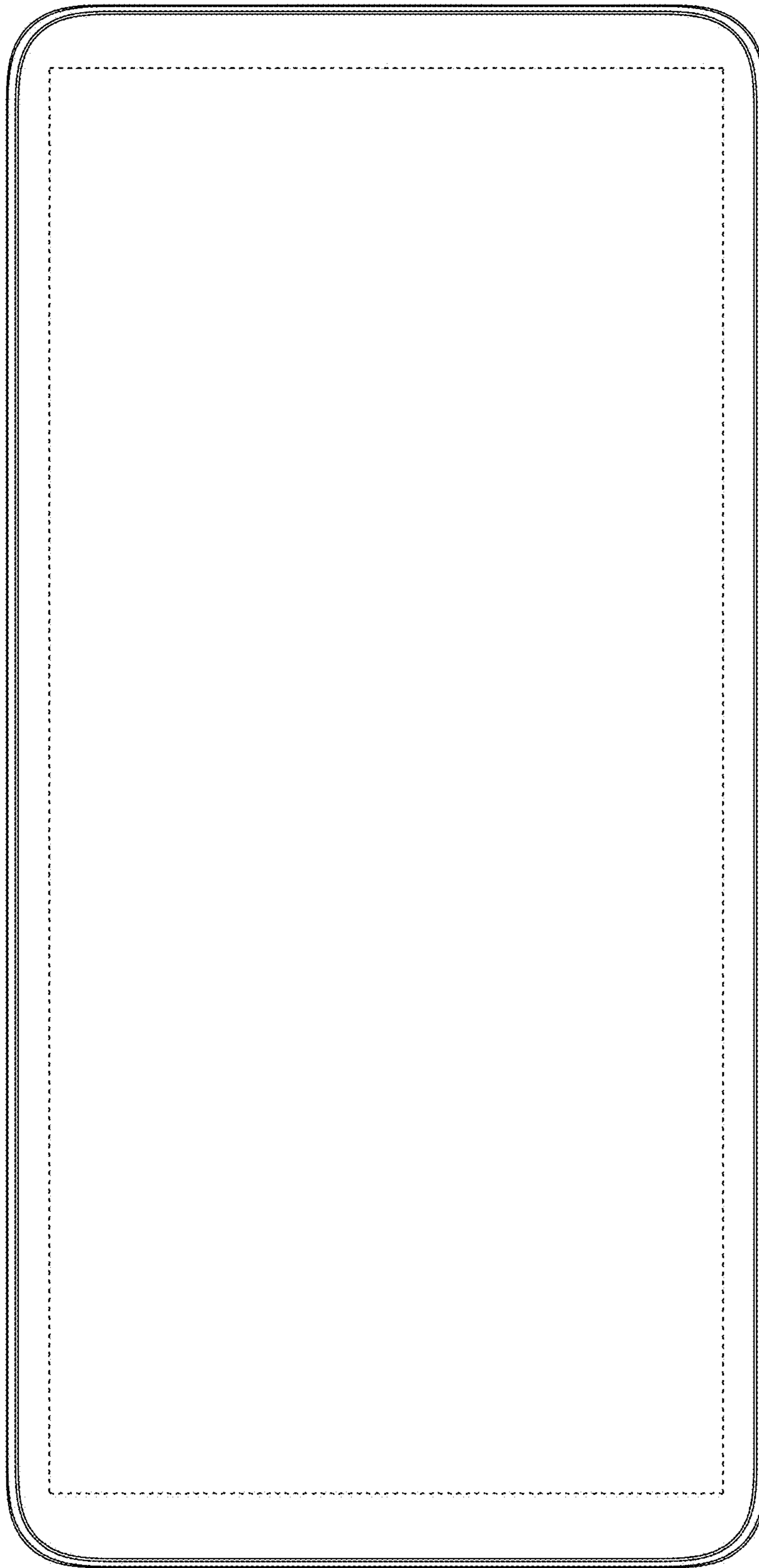
**FIG. 10**



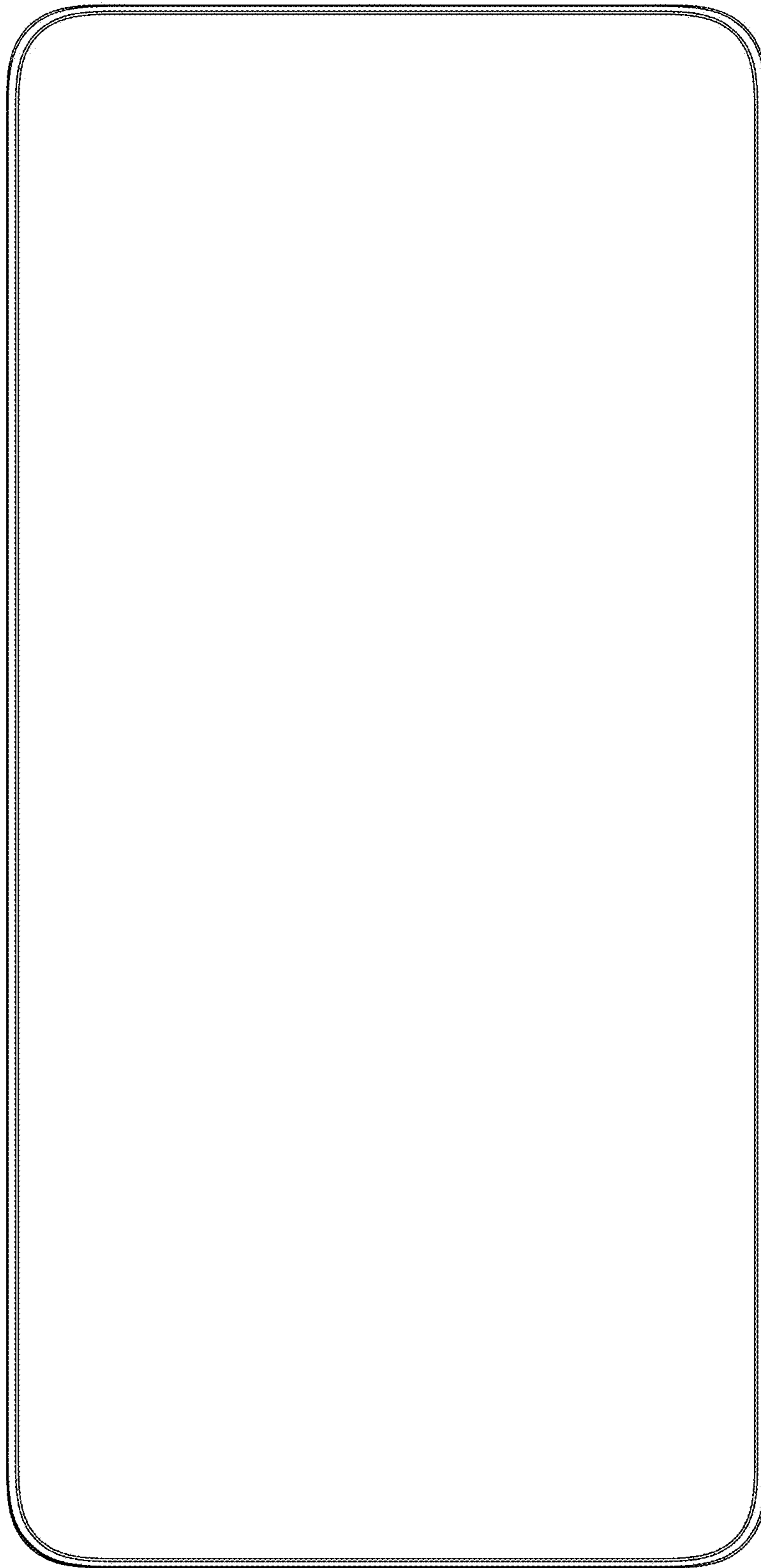
**FIG. 11**



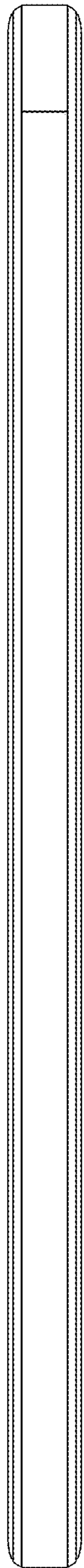
**FIG. 12**



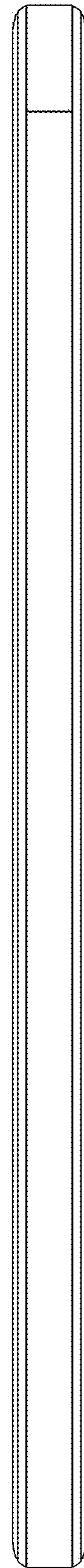
**FIG. 13**



**FIG. 14**



**FIG. 15**



**FIG. 16**