



US00D879732S

(12) **United States Design Patent**
He et al.

(10) **Patent No.: US D879,732 S**
(45) **Date of Patent: ** Mar. 31, 2020**

(54) **TELEVISION**

CPC ... G06F 1/1601; G06F 1/1643; H05K 5/0004;
H05K 5/0017; H05K 5/02; H05K 5/0217
See application file for complete search history.

(71) Applicant: **SHENZHEN SKYWORTH-RGB ELECTRONIC CO., LTD.**,
Guangdong (CN)

(56) **References Cited**

(72) Inventors: **Jie He**, Guangdong (CN); **Zhiyong Chen**, Guangdong (CN); **Shuxiao Wei**, Guangdong (CN); **Liyuan Peng**, Guangdong (CN); **Mingming Wang**, Guangdong (CN); **Yonghong Diao**, Guangdong (CN); **Yunbing Zhong**, Guangdong (CN); **Ze Wang**, Guangdong (CN)

U.S. PATENT DOCUMENTS

D615,054 S * 5/2010 Mellingen D14/127
D768,131 S * 10/2016 Kuo D14/374
D771,582 S * 11/2016 Williams D14/126

* cited by examiner

Primary Examiner — Randall H Gholson

(74) *Attorney, Agent, or Firm* — Duane Morris LLP

(73) Assignee: **SHENZHEN SKYWORTH-RGB ELECTRONIC CO., LTD.**,
Guangdong (CN)

(57) **CLAIM**

(**) Term: **15 Years**

The ornamental design for a television, as shown and described.

(21) Appl. No.: **29/674,303**

DESCRIPTION

(22) Filed: **Dec. 20, 2018**

(30) **Foreign Application Priority Data**

Aug. 30, 2018 (CN) 2018 3 0486357

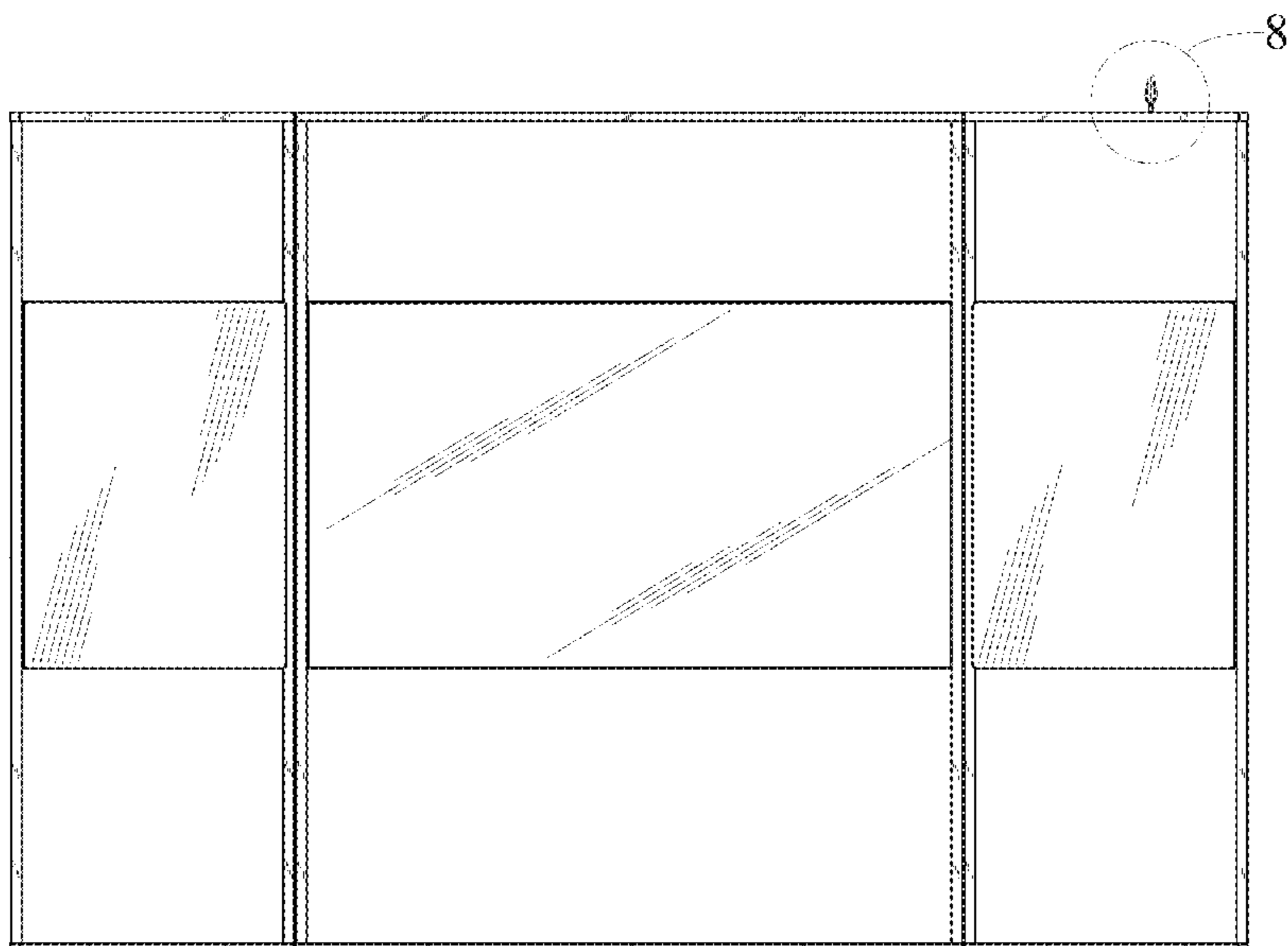
(51) **LOC (12) Cl.** **14-03**

(52) **U.S. Cl.**
USPC **D14/126**

(58) **Field of Classification Search**
USPC D14/125-134, 239, 371, 136, 374-377,
D14/440, 450, 448, 336, 342, 159;
312/7.2; 348/836, 838, 180, 184, 325,
348/739; 248/917-924, 465; 345/104,
345/133, 156, 168, 87, 173; D21/329,
D21/515, 577, 622, 333, 433, 448, 452,
D21/450, 331, 505; D10/15, 26;
446/484, 175, 356; D6/477, 479, 300;
D24/185; D34/14

FIG. 1 is a front view of the design for a television;
FIG. 2 is a rear view thereof;
FIG. 3 is a left view thereof;
FIG. 4 is a right view thereof;
FIG. 5 is a top view thereof;
FIG. 6 is a bottom view thereof;
FIG. 7 is a perspective view thereof;
FIG. 8 is an enlarged view of a circle portion 8 of FIG. 1;
FIG. 9 is an enlarged view of a circle portion 9 of FIG. 2;
FIG. 10 is an enlarged view of a circle portion 10 of FIG. 3;
FIG. 11 is an enlarged view of a circle portion 11 of FIG. 4;
FIG. 12 is an enlarged view of a circle portion 12 of FIG. 5;
FIG. 13 is an enlarged view of a circle portion 13 of FIG. 6;
and,
FIG. 14 is an enlarged view of a circle portion 14 of FIG. 7.

1 Claim, 10 Drawing Sheets



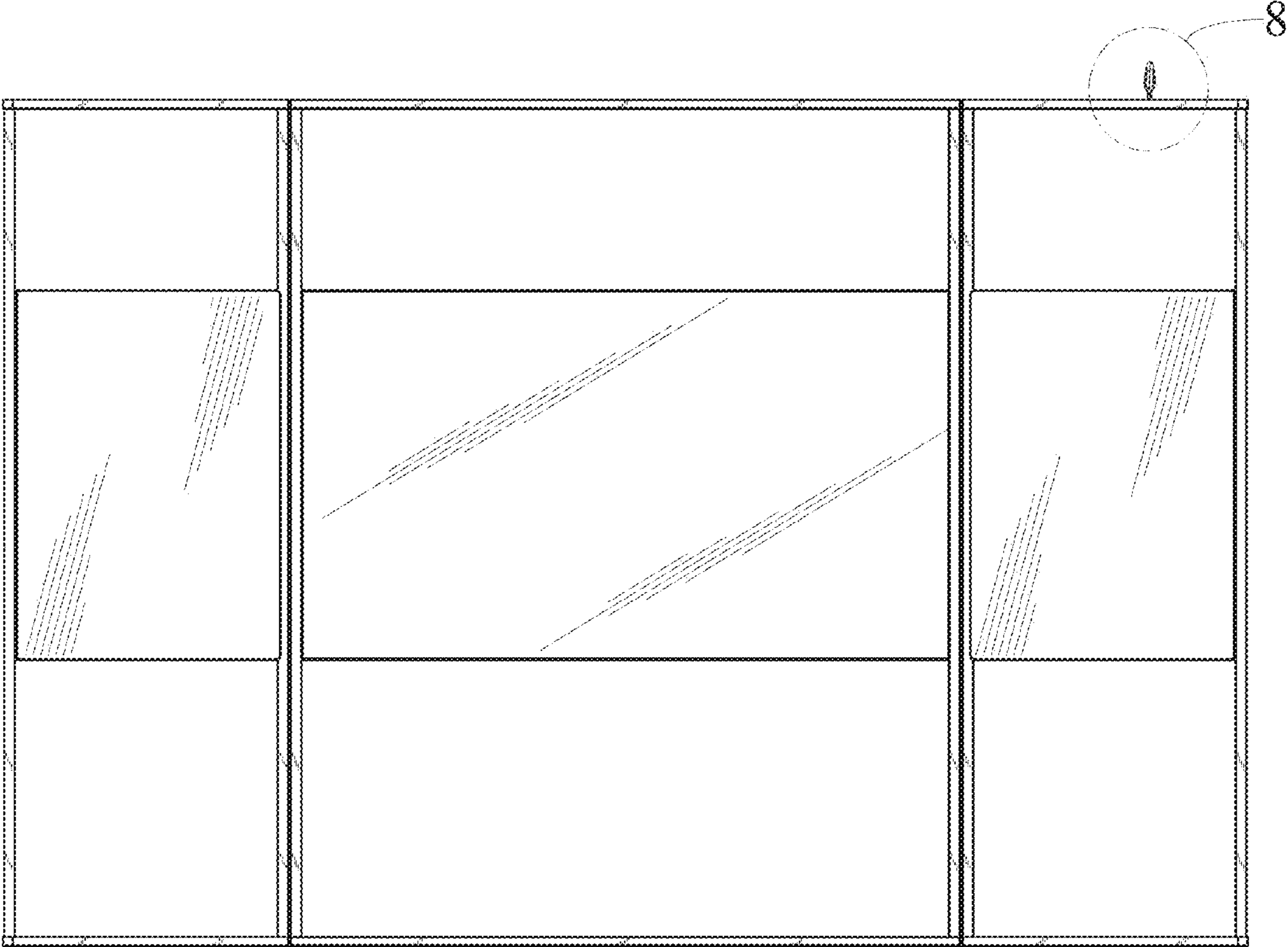


FIG. 1

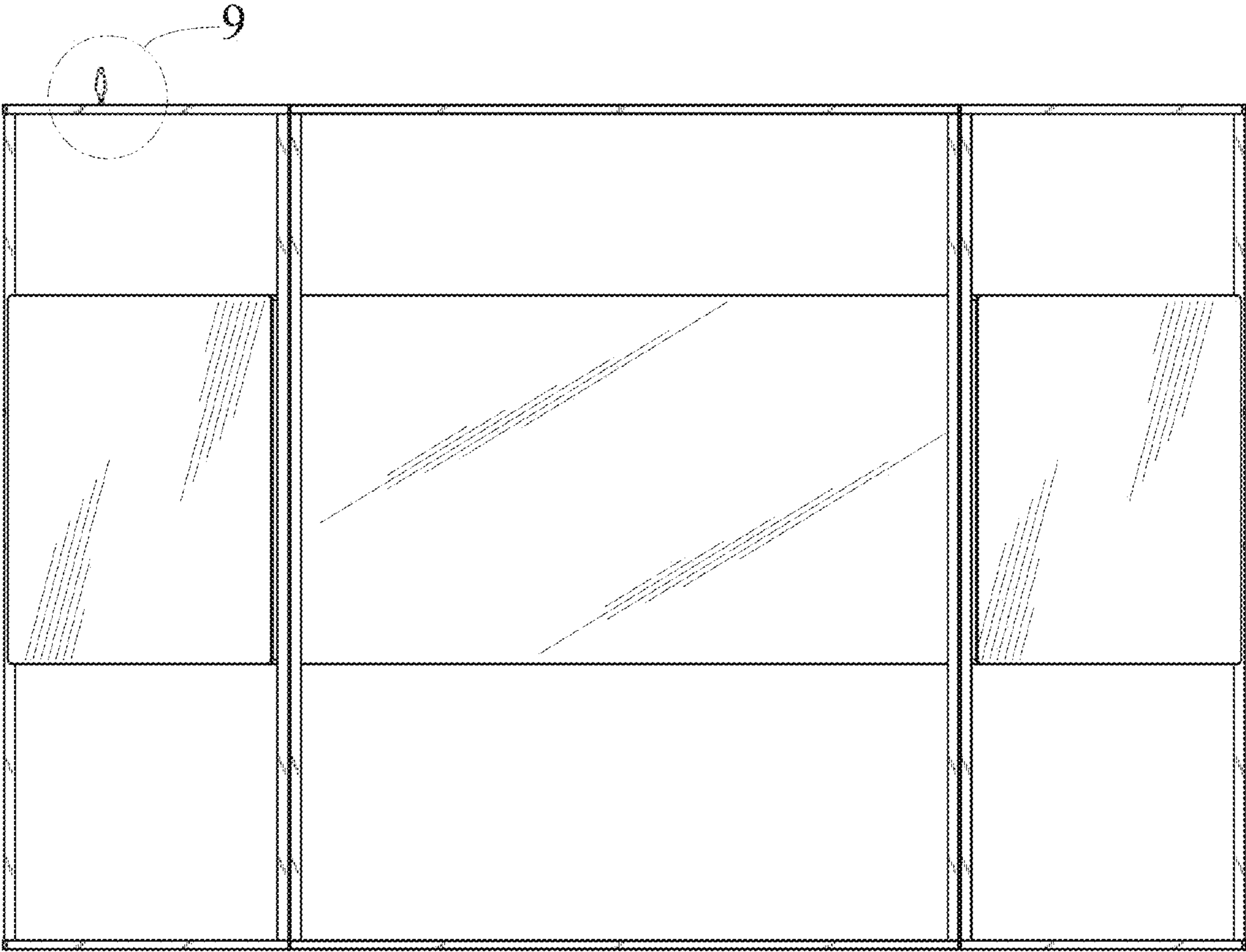


FIG. 2

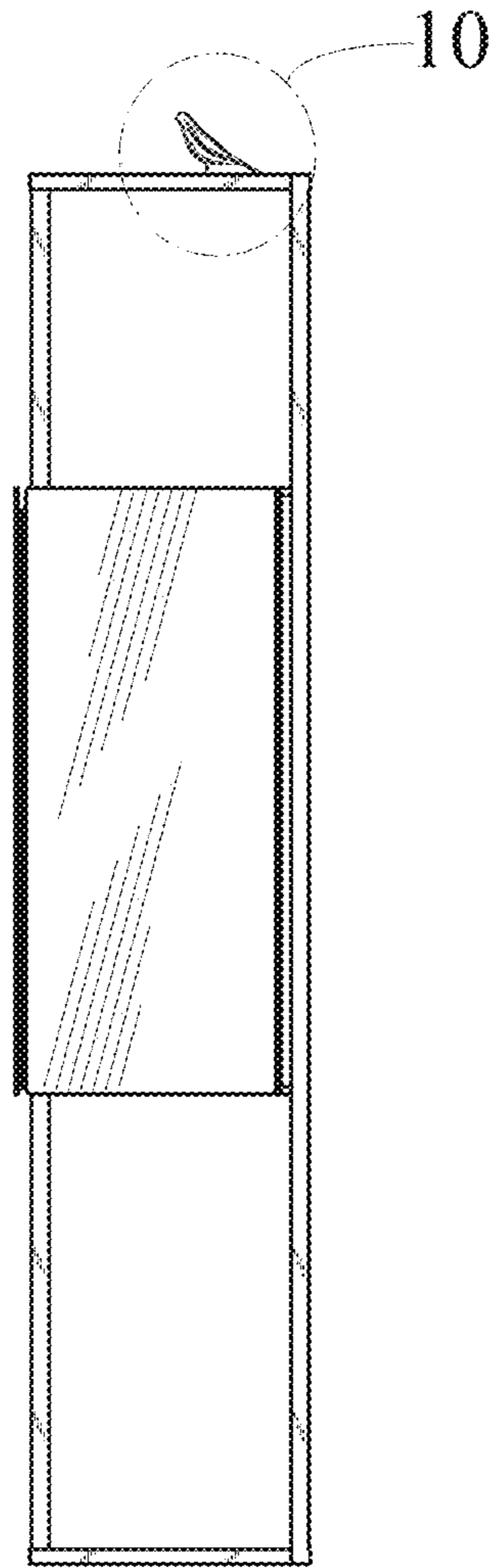


FIG.3

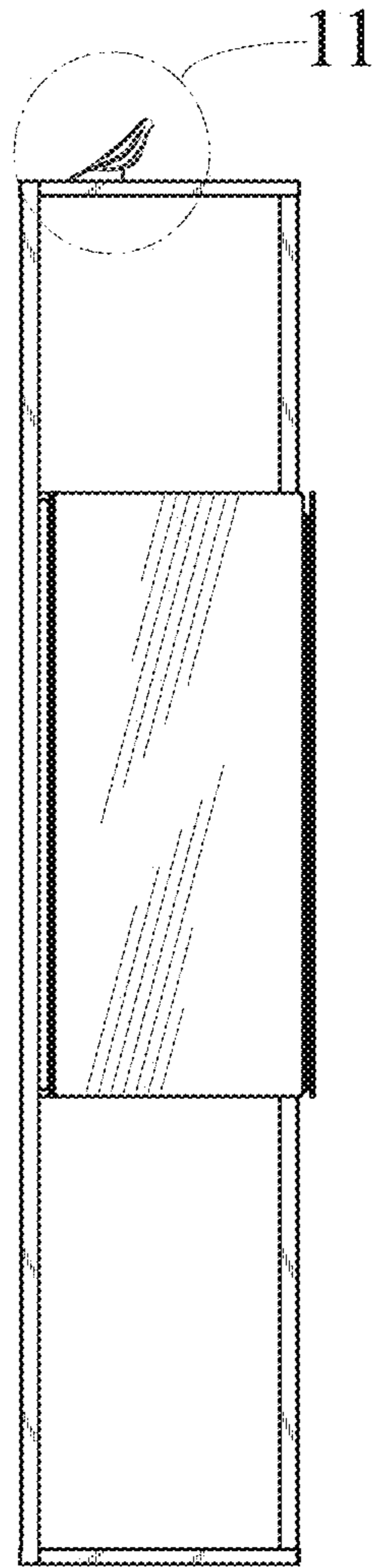


FIG.4

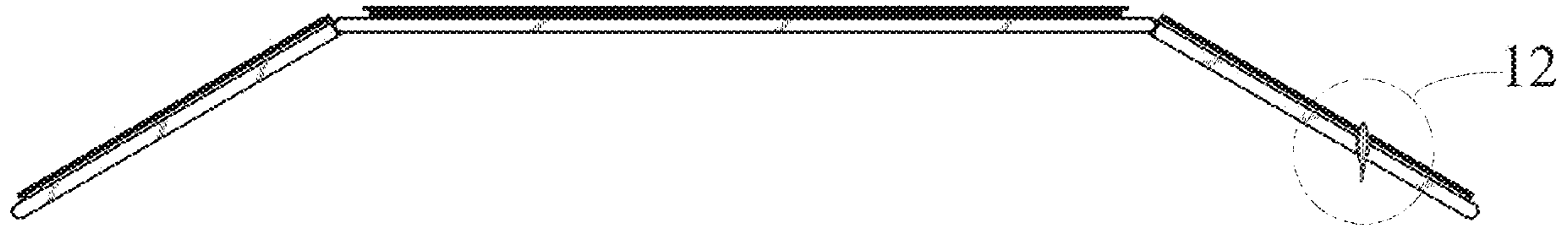


FIG. 5

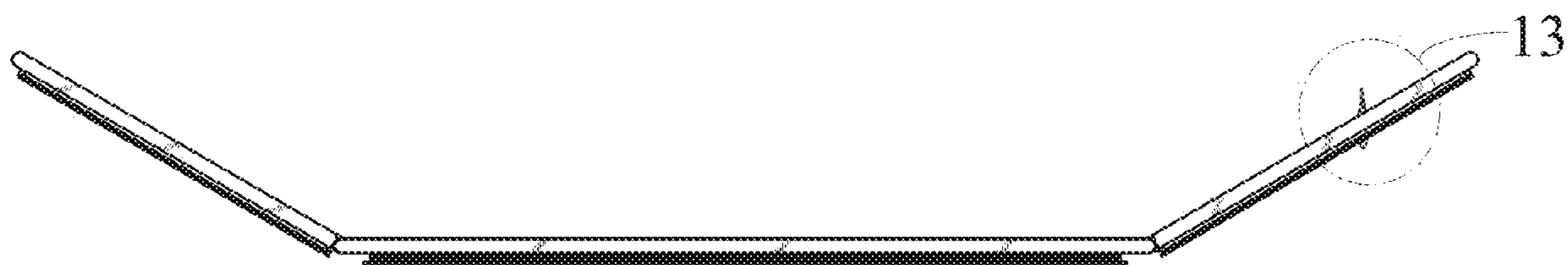


FIG. 6

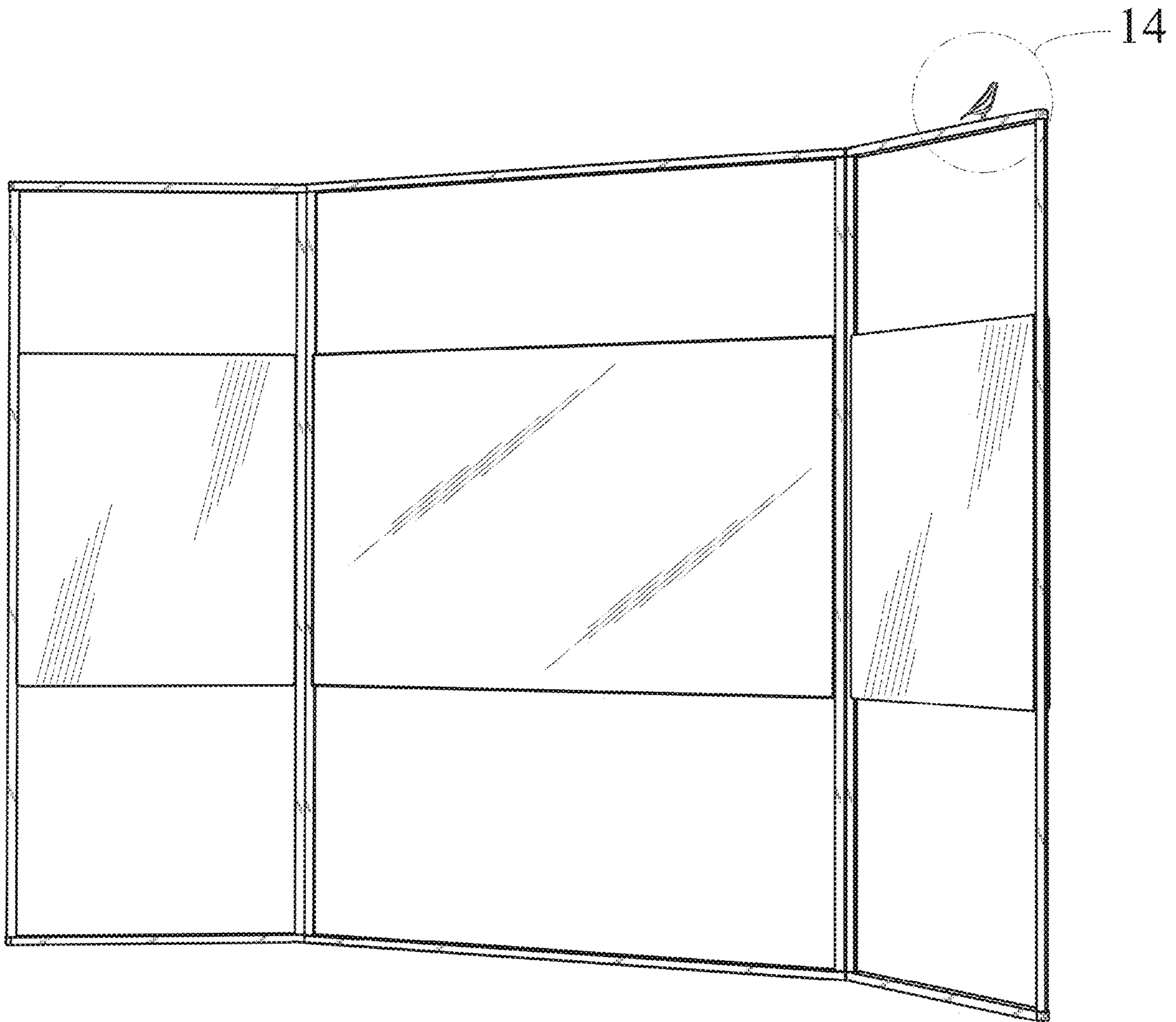


FIG. 7

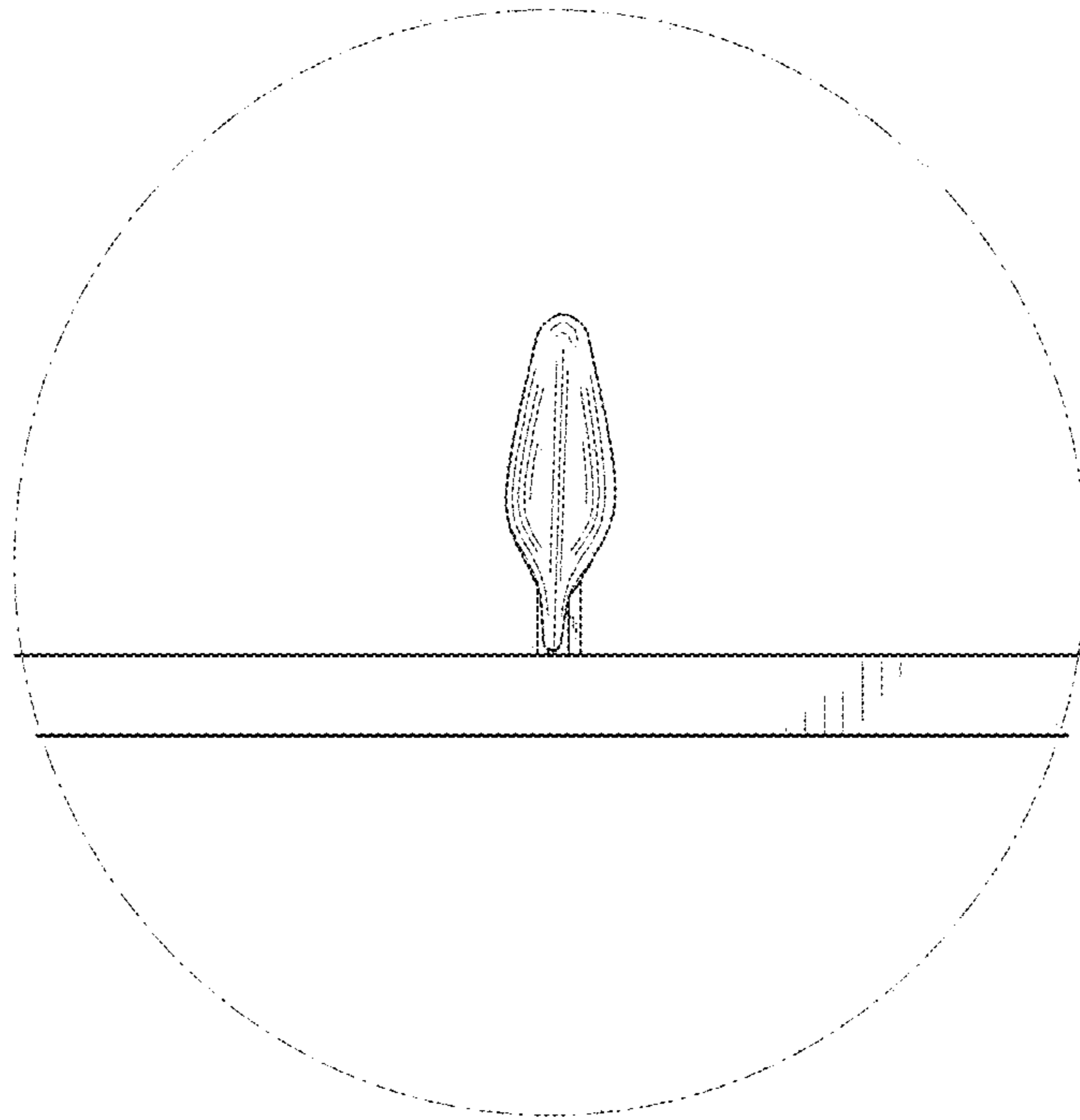


FIG. 8

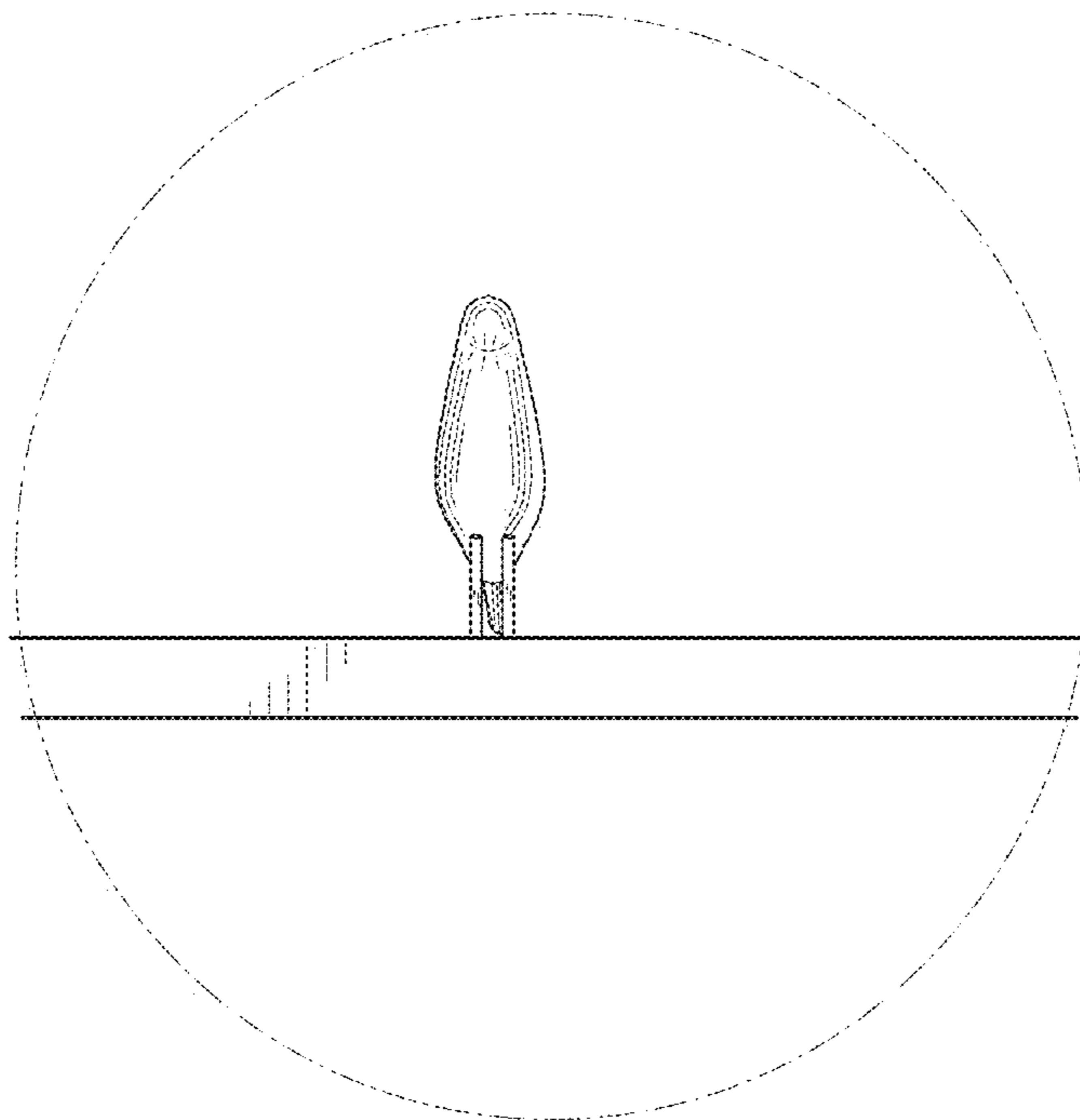


FIG. 9

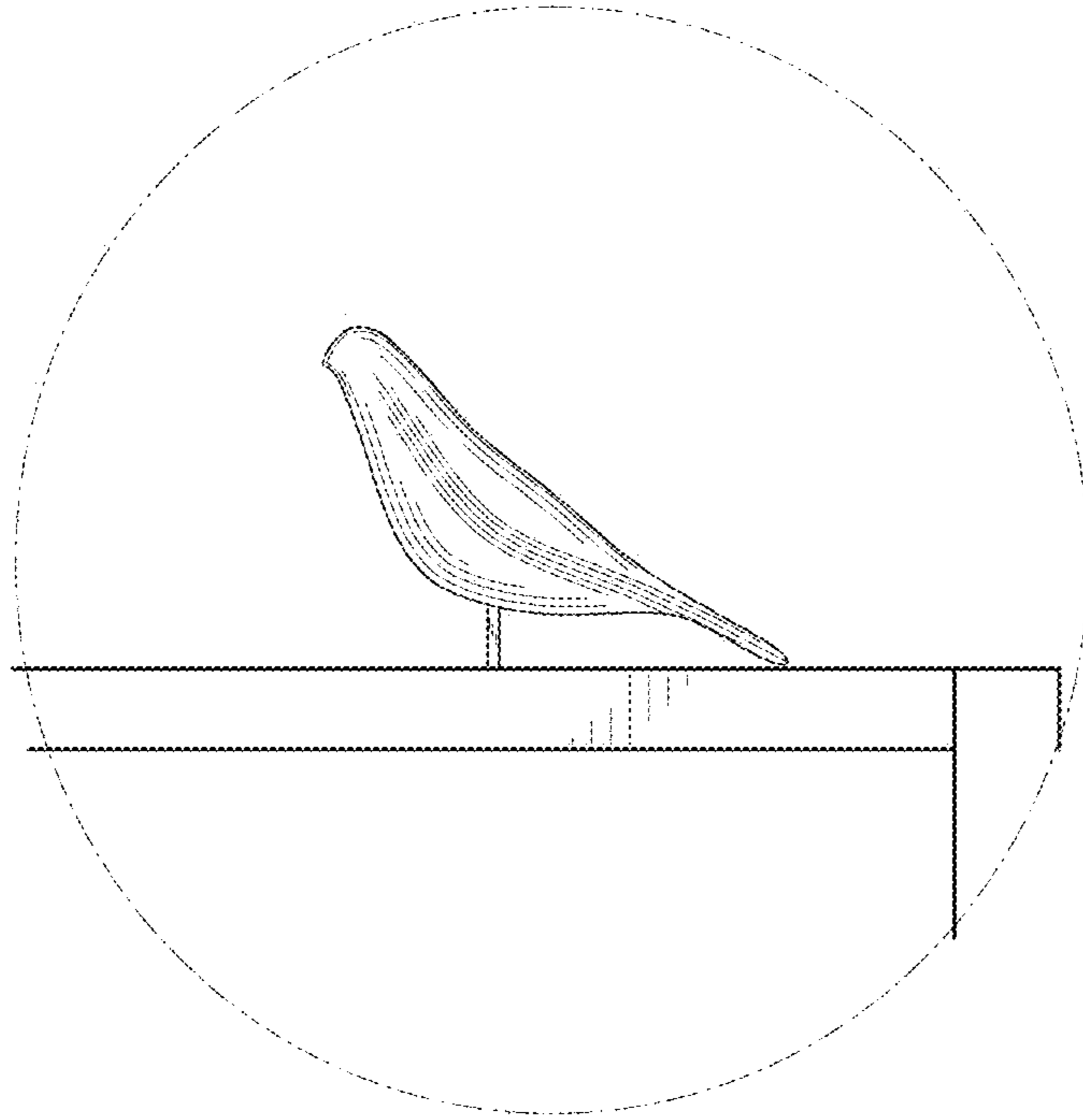


FIG. 10

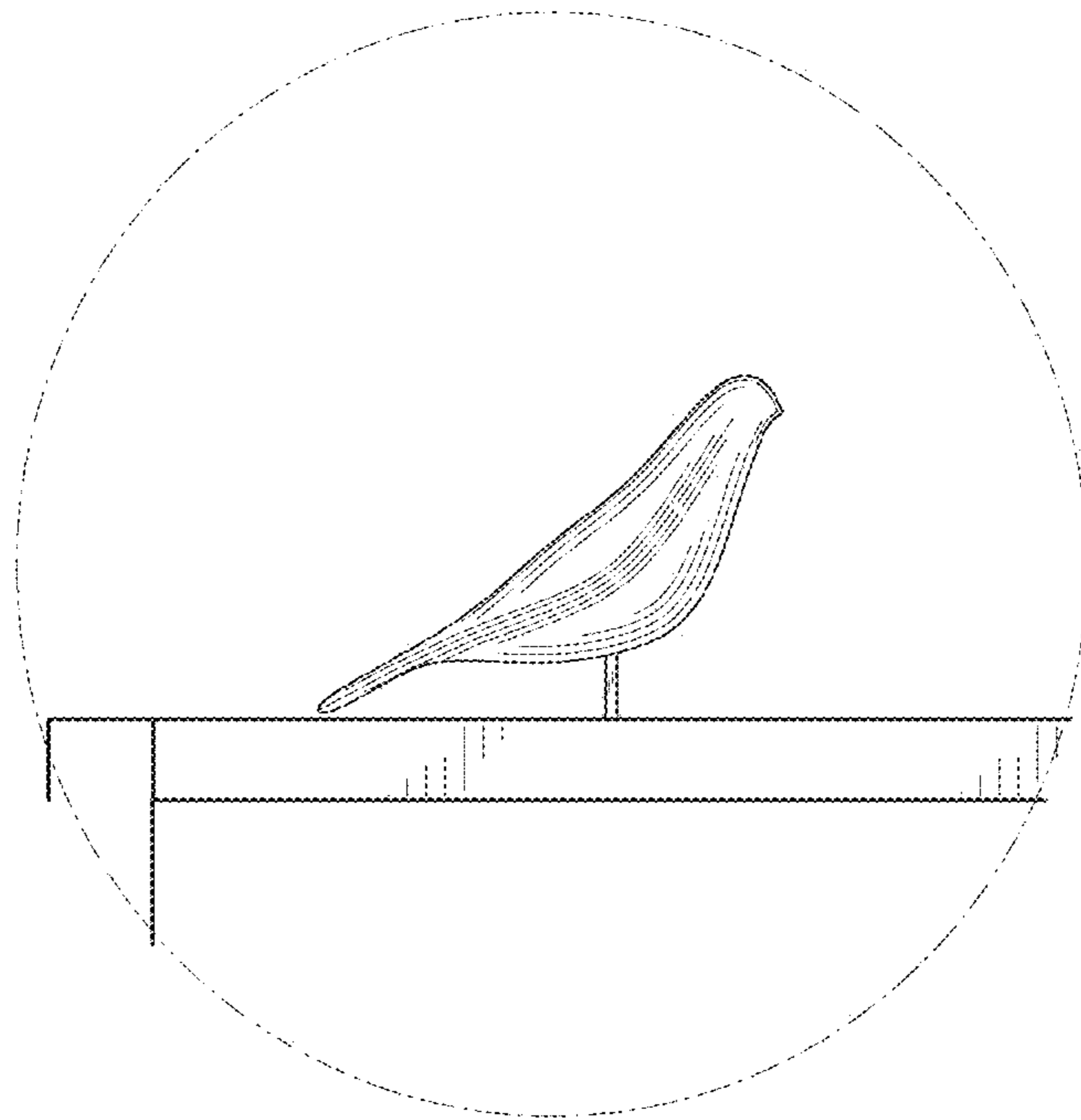


FIG. 11

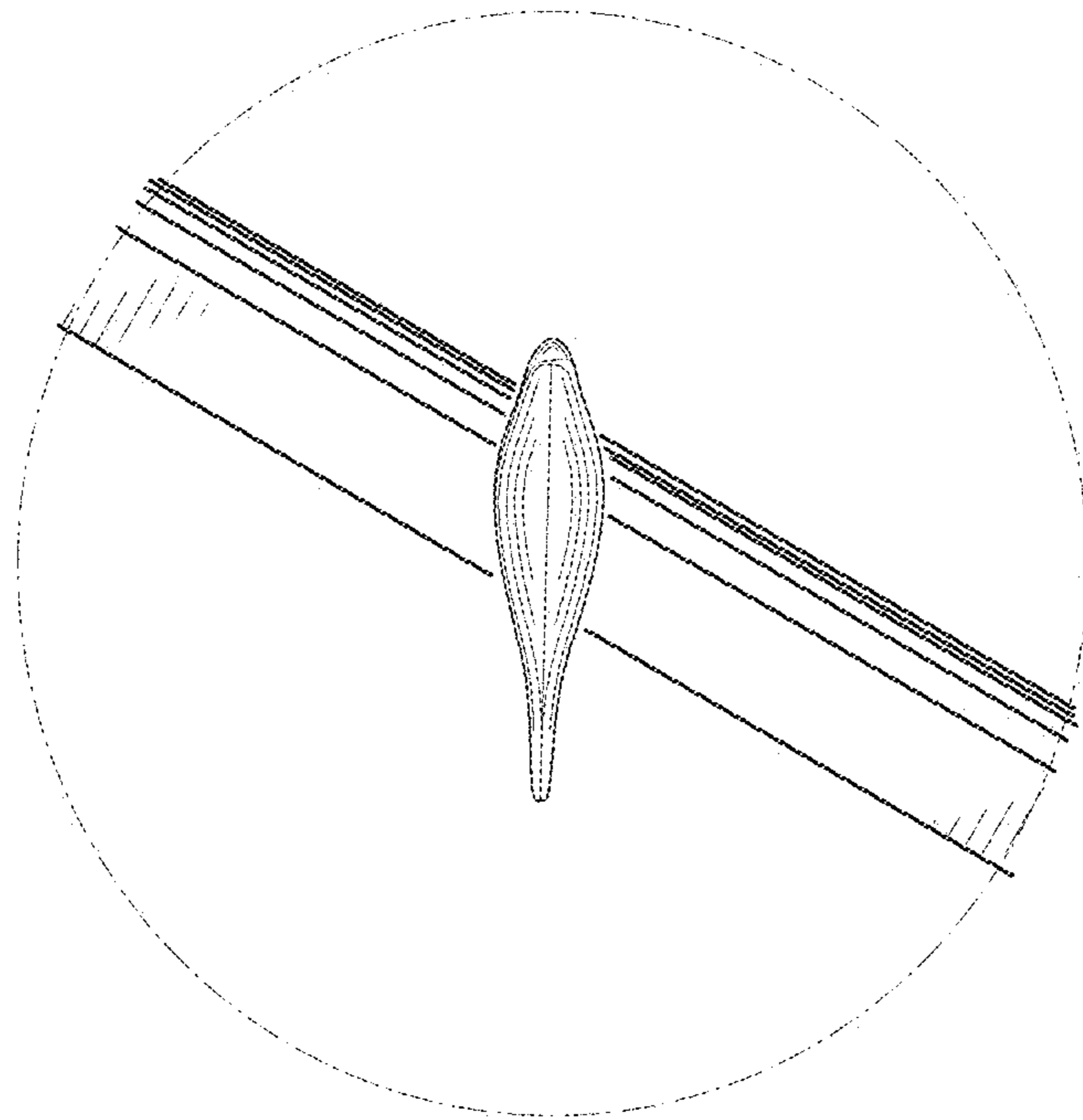


FIG. 12

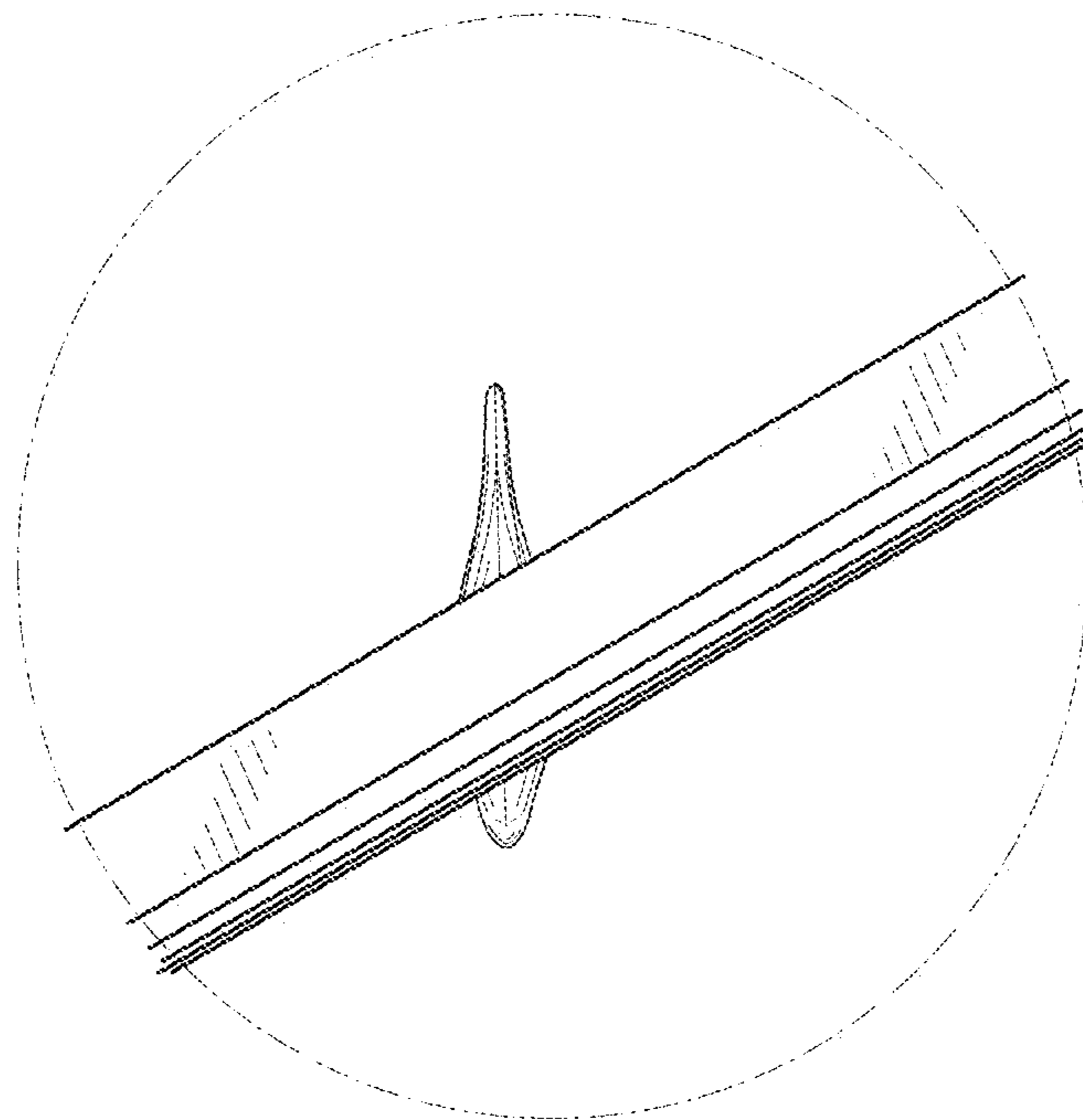


FIG. 13

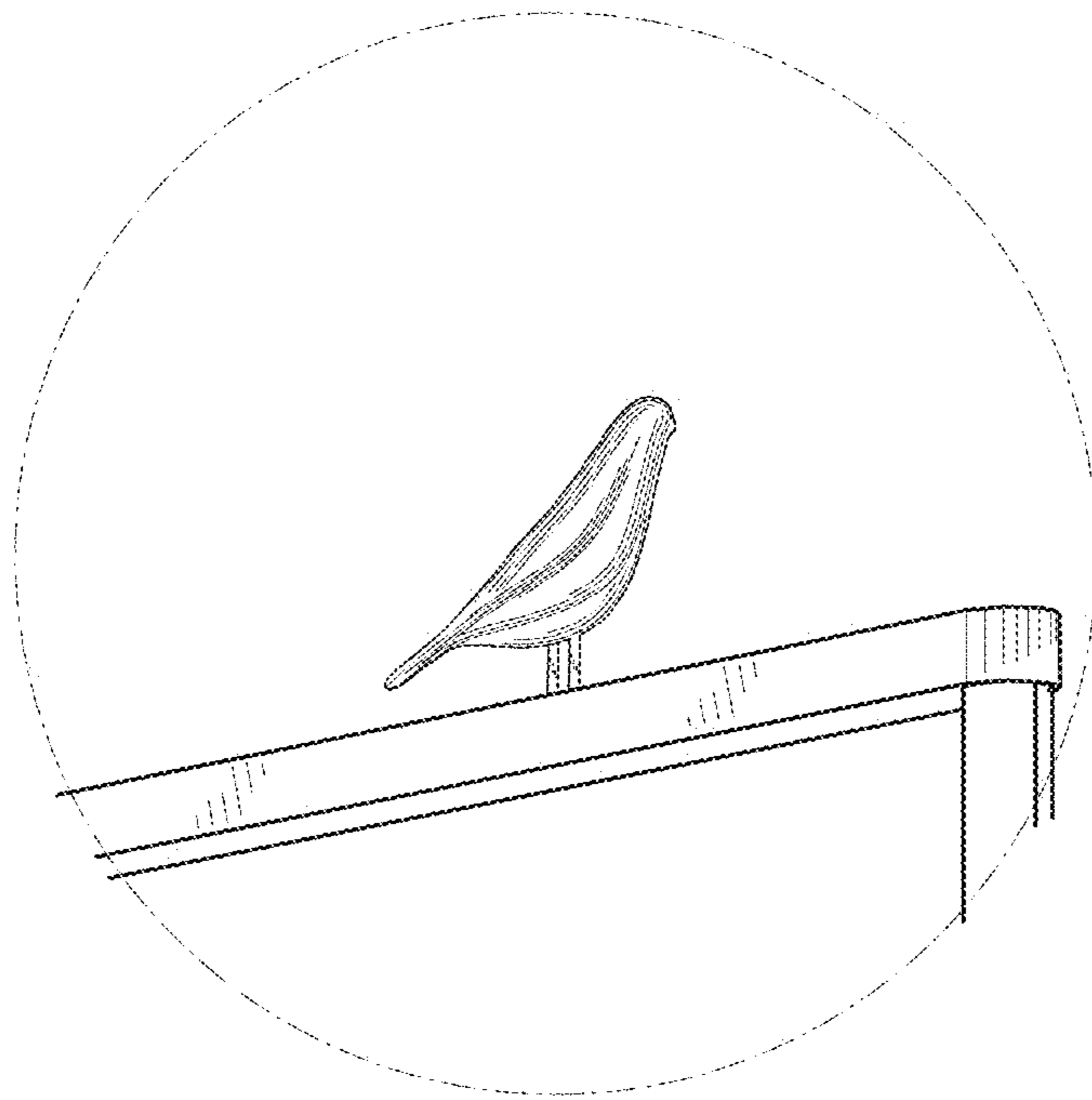


FIG. 14