



US00D879730S

(12) **United States Design Patent**
Kang et al.

(10) **Patent No.:** **US D879,730 S**
(45) **Date of Patent:** **** Mar. 31, 2020**

(54) **CIRCUIT BOARD**

(71) Applicant: **SiFive, Inc.**, San Mateo, CA (US)

(72) Inventors: **Jack Kang**, San Mateo, CA (US);
David Lee, San Jose, CA (US); **Jeffrey Mulhausen**, McLean, VA (US)

(73) Assignee: **SiFive, Inc.**, San Mateo, CA (US)

(**) Term: **15 Years**

(21) Appl. No.: **29/673,813**

(22) Filed: **Dec. 18, 2018**

(51) **LOC (12) Cl.** **13-03**

(52) **U.S. Cl.**
USPC **D13/182; D2/617**

(58) **Field of Classification Search**
USPC D13/182; 361/748, 752, 760, 761, 807,
361/808, 809; 174/250, 253, 255;
363/144, 147; D2/610, 614-623;
D29/113, 117.1, 118
CPC H05K 3/30; H05K 3/301; H05K 3/284;
H05K 1/18; H05K 1/181; H05K 1/182;
H05K 1/183; H05K 1/185; H05K 1/00;
H05K 7/1417; H05K 7/02; H05K 7/12;
H05K 7/06; H01L 2924/14
See application file for complete search history.

(56) **References Cited**

U.S. PATENT DOCUMENTS

D133,882 S * 9/1942 Matthews D2/622
2,435,890 A * 2/1948 Lembeck A41D 19/01
2/158
3,072,734 A * 1/1963 Fox H05K 3/202
174/254
D422,758 S * 4/2000 Roche D2/622
D424,278 S * 5/2000 Douglas D2/617
D430,856 S * 9/2000 Wilkerson D13/182
D466,094 S * 11/2002 Marcotte D13/182
D508,681 S * 8/2005 Enderlein D13/182

D525,213 S * 7/2006 Enderlein D13/182
D620,680 S * 8/2010 Thompson D2/617
D655,890 S * 3/2012 Thompson D2/617
D775,779 S * 1/2017 Luque D2/617
D794,586 S * 8/2017 Takahashi D13/182
D799,438 S * 10/2017 Takahashi D13/182
D801,625 S * 11/2017 Elliott D2/617
D804,437 S * 12/2017 Kantor D13/182
D808,611 S * 1/2018 Kindall D2/617
D825,887 S * 8/2018 Blunt D2/617
D834,784 S * 12/2018 Kang D2/617

(Continued)

OTHER PUBLICATIONS

“PCB hand stock vector” Illustration of board, hand, abstract;
<https://www.dreamstime.com/royalty-free-stock-image-pcb-hand-image29513666>; downloaded Mar. 20, 2019.

(Continued)

Primary Examiner — Elizabeth J Oswecki
(74) *Attorney, Agent, or Firm* — Young Basile Hanlon & MacFarlane, P.C.

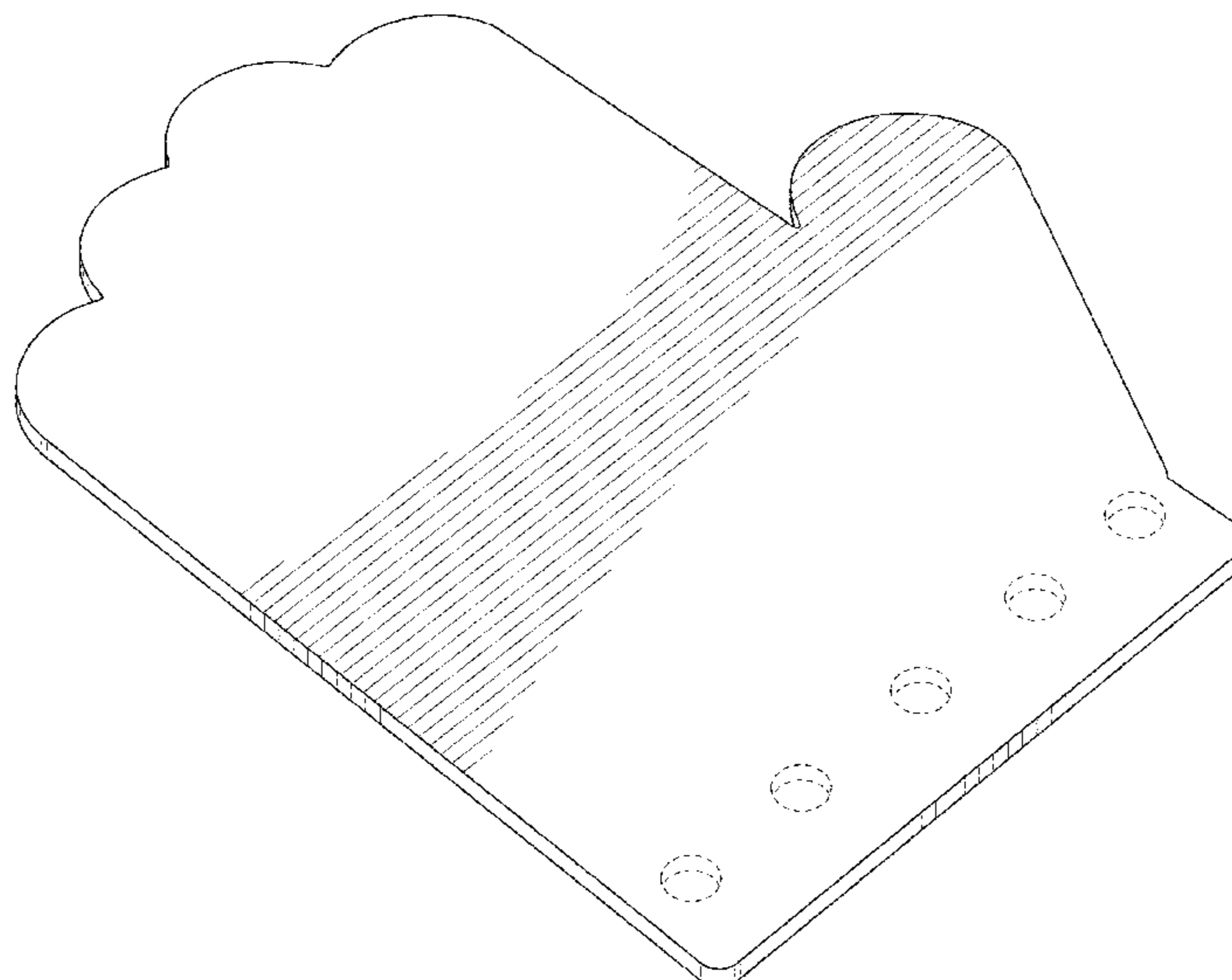
(57) **CLAIM**

The ornamental design for a circuit board, as shown and described.

DESCRIPTION

FIG. 1 is a front, lower, left perspective view of a circuit board showing our new design;
FIG. 2 is a front view thereof;
FIG. 3 is a rear view thereof;
FIG. 4 is a right view thereof;
FIG. 5 is a left view thereof;
FIG. 6 is a top view thereof; and
FIG. 7 is a bottom view thereof.
The broken lines in the drawings illustrate unclaimed features of the circuit board and form no part of the claimed design.

1 Claim, 5 Drawing Sheets



(56)

References Cited

U.S. PATENT DOCUMENTS

D838,415 S * 1/2019 Dupree D29/117.1
D852,763 S * 7/2019 Kneip D13/182
2017/0354816 A1 12/2017 Huelman et al.

OTHER PUBLICATIONS

Motorola Solutions, Inc.; "89FT4818 Hand Held Transmitter to be used in the Family Radio Service Teardown Internal Photos Relayed Circuit Board"; <https://fccid.io/AZ489FT4818/Internal-Photos/Relayed-Circuit-Board-7634>; 2 pages, downloaded Mar. 20, 2019.

* cited by examiner

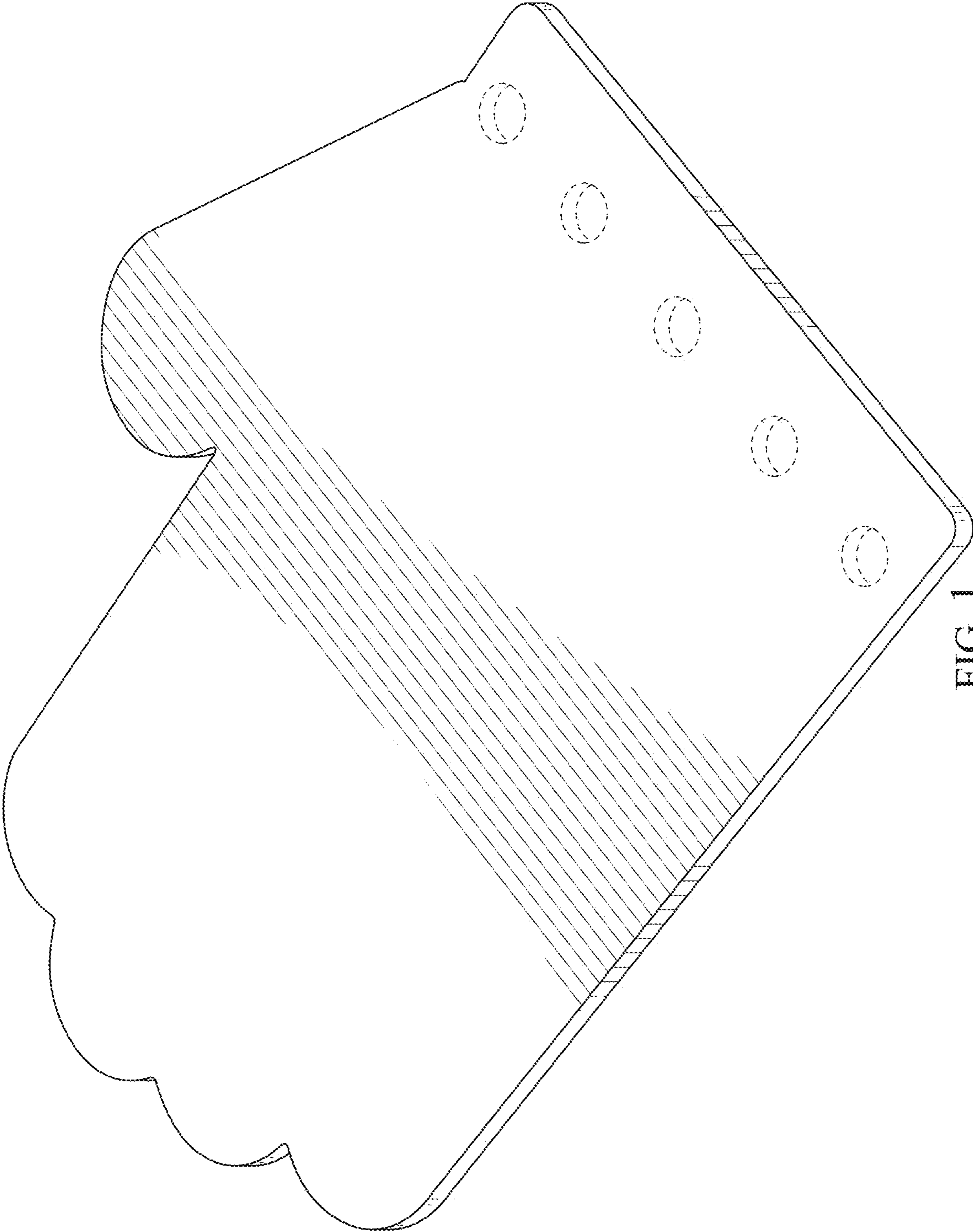


FIG. 1

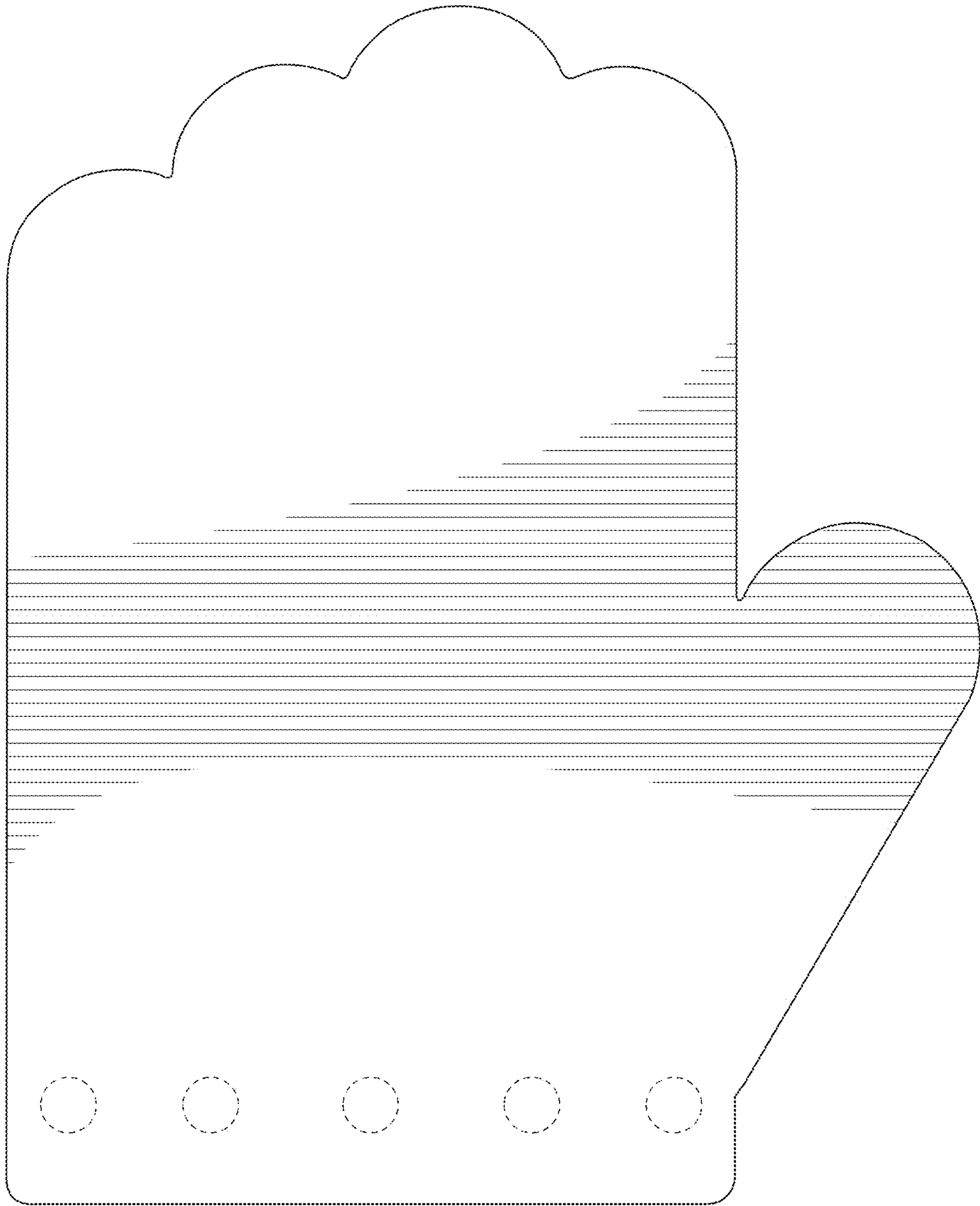


FIG. 2

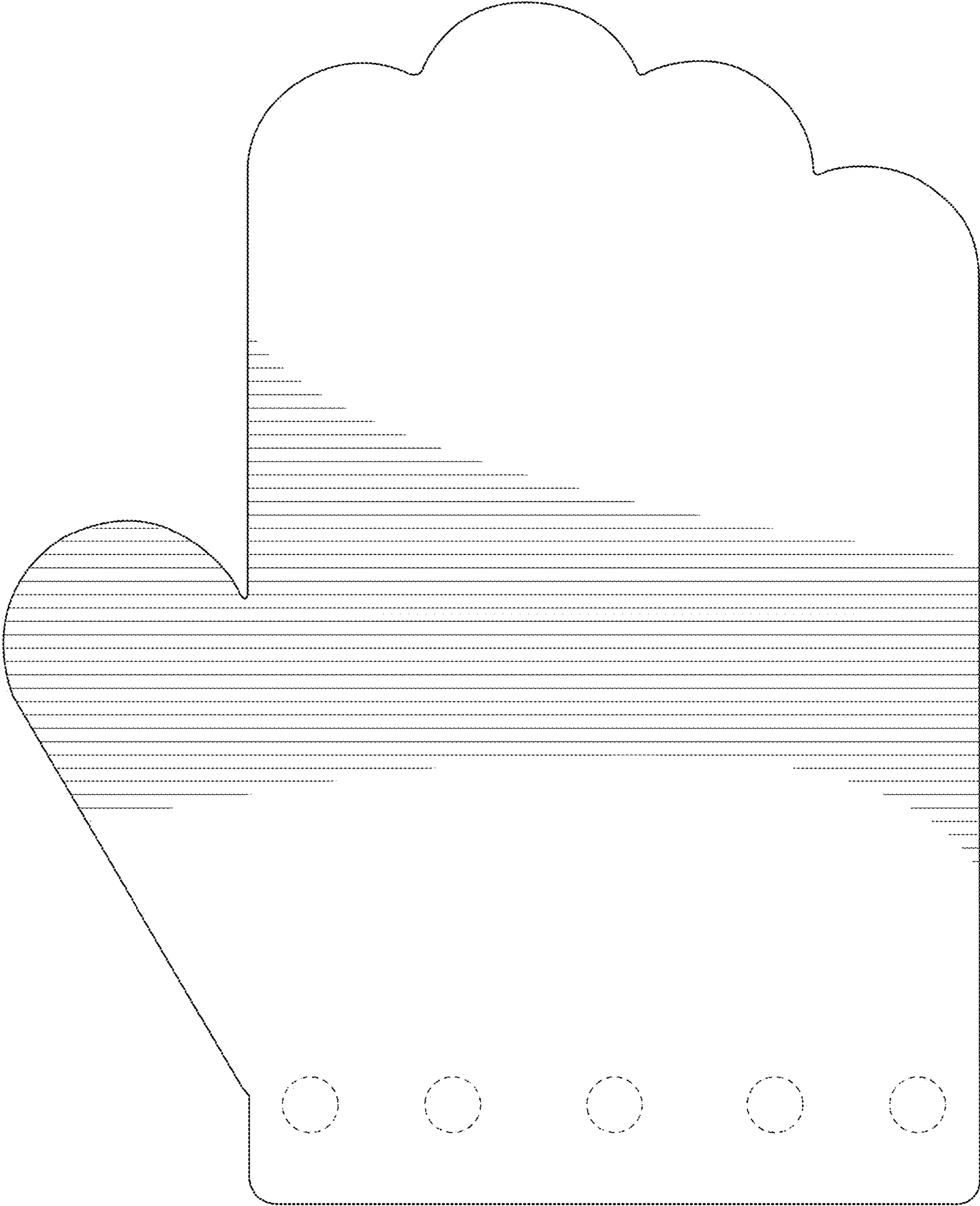


FIG. 3



FIG. 4

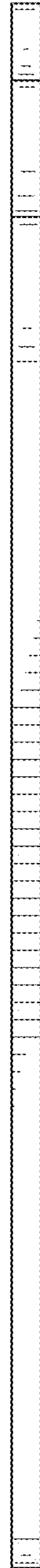


FIG. 5

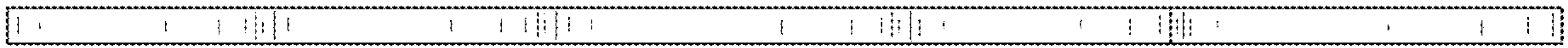


FIG. 6

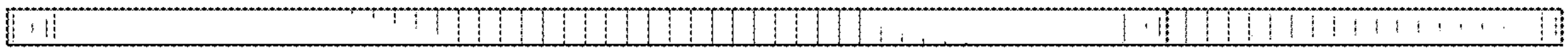


FIG. 7