



US00D879728S

(12) **United States Design Patent**
Park

(10) **Patent No.:** **US D879,728 S**

(45) **Date of Patent:** **** Mar. 31, 2020**

(54) **REMOTE CONTROL WIRELESS**
(71) Applicant: **NEOFECT CO., LTD.**, Gyeonggi-Do (KR)
(72) Inventor: **Byeong Geol Park**, Icheon-si (KR)
(73) Assignee: **NEOFECT CO., LTD.**, Yongin-si, Gyeonggi-do (KR)
(**) Term: **15 Years**

D849,004 S * 5/2019 Bierach D14/383
D853,666 S * 7/2019 Ni D30/199
D854,011 S * 7/2019 Ciprian D14/358
D857,663 S * 8/2019 Knie D14/218
D859,195 S * 9/2019 Kristensson D10/106.1
D865,556 S * 11/2019 Siminoff D10/106.1
D866,526 S * 11/2019 Pinto Couto D14/218
D866,796 S * 11/2019 Mellett D24/234
D868,747 S * 12/2019 Deyaf D14/218
D869,411 S * 12/2019 Wang D14/125
D869,442 S * 12/2019 Zhang D14/218
2005/0045501 A1* 3/2005 Briggs G11B 33/0427
206/308
2005/0249069 A1* 11/2005 Aoki G11B 17/0405
369/47.1

(21) Appl. No.: **35/506,396**

(22) Filed: **Sep. 7, 2018**

* cited by examiner

(80) **Hague Agreement Data**

Int. Filing Date: **Sep. 7, 2018**
Int. Reg. No.: **DM/102889**
Int. Reg. Date: **Sep. 7, 2018**
Int. Reg. Pub. Date: **Mar. 8, 2019**

Primary Examiner — Rhea Shields
(74) *Attorney, Agent, or Firm* — Revolution IP, PLLC

(51) **LOC (12) Cl.** **13-03**

(52) **U.S. Cl.**
USPC **D13/168**

(57) **CLAIM**

The ornamental design for a remote control wireless, as shown and described.

(58) **Field of Classification Search**
USPC D13/168; D14/218, 125, 358, 383, 356;
D10/106; D24/234; D30/199
CPC G11C 7/16; G11B 33/0427; G11B 17/0405
See application file for complete search history.

DESCRIPTION

(56) **References Cited**

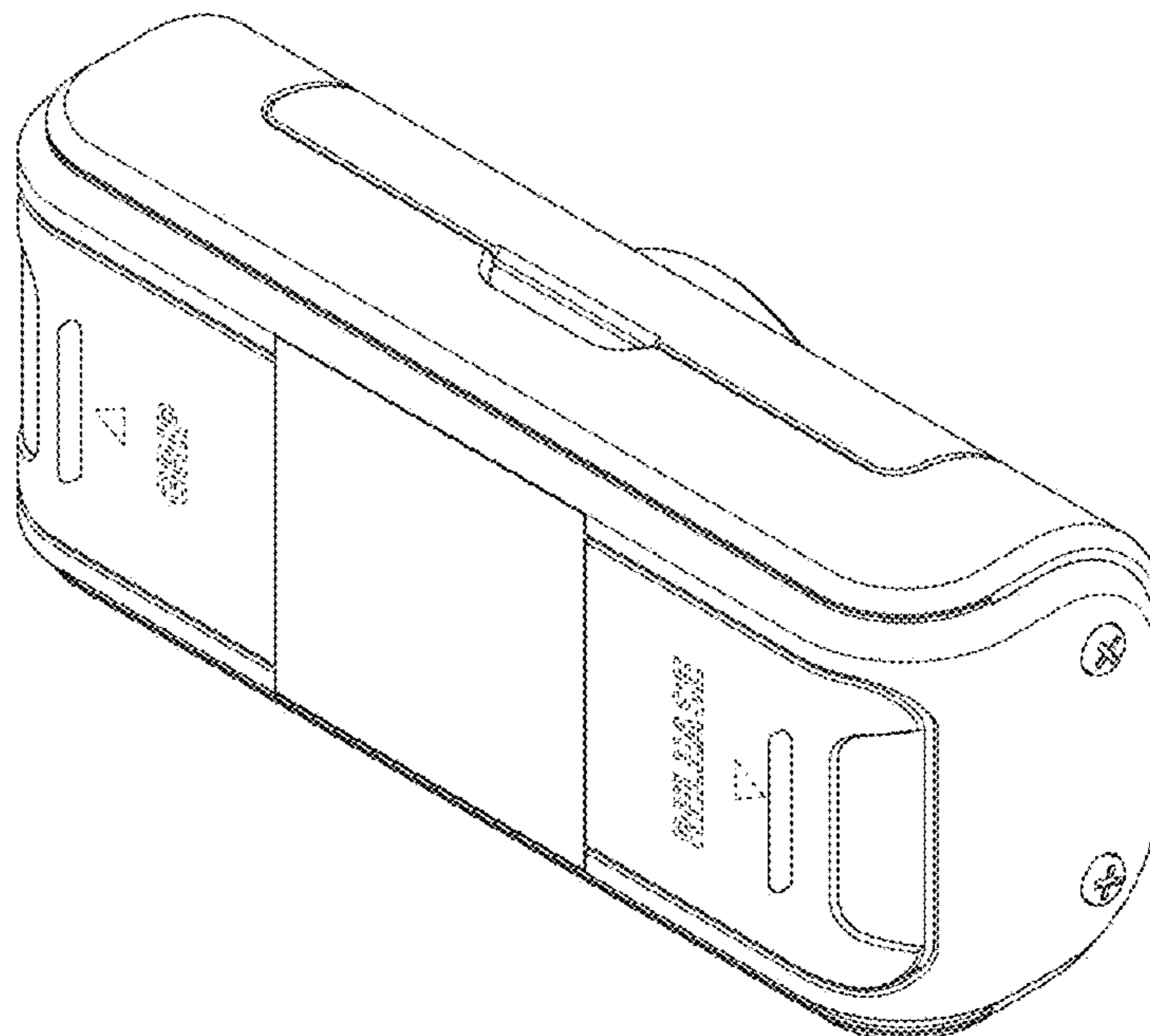
U.S. PATENT DOCUMENTS

D440,208 S * 4/2001 Lynch D13/168
6,606,281 B2* 8/2003 Cowgill G11C 7/16
369/11
D824,863 S * 8/2018 McRoberts D13/168
D847,813 S * 5/2019 Jun D14/356

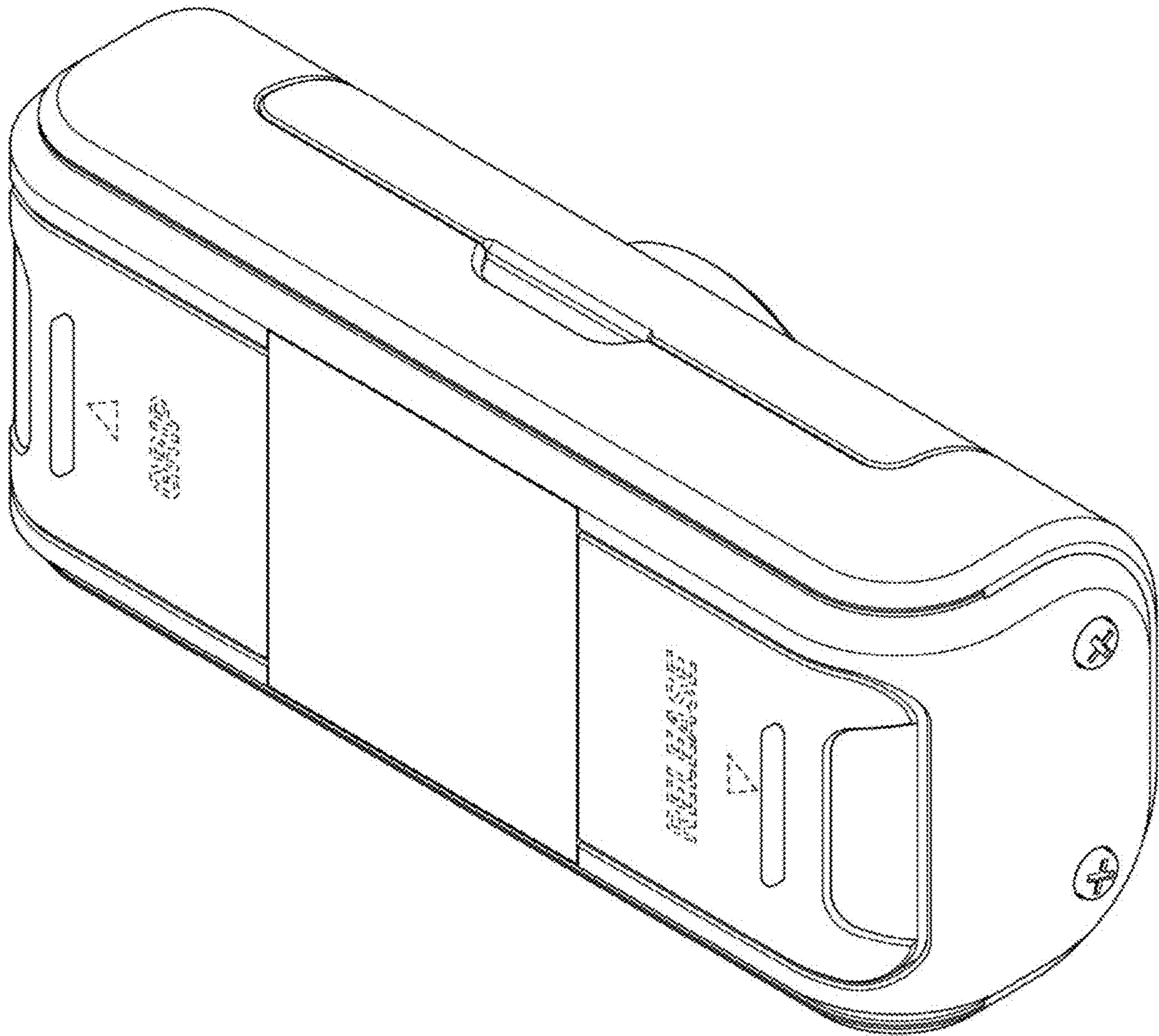
- 1. Remote control wireless
- 1.1 : Perspective
- 1.2 : Front
- 1.3 : Back
- 1.4 : Top
- 1.5 : Bottom
- 1.6 : Left
- 1.7 : Right
- 1.8 : Bottom perspective

In the reproductions, the broken lines are for the purpose of illustrating portions of the Remote Control Wireless that forms no part of the claimed design.

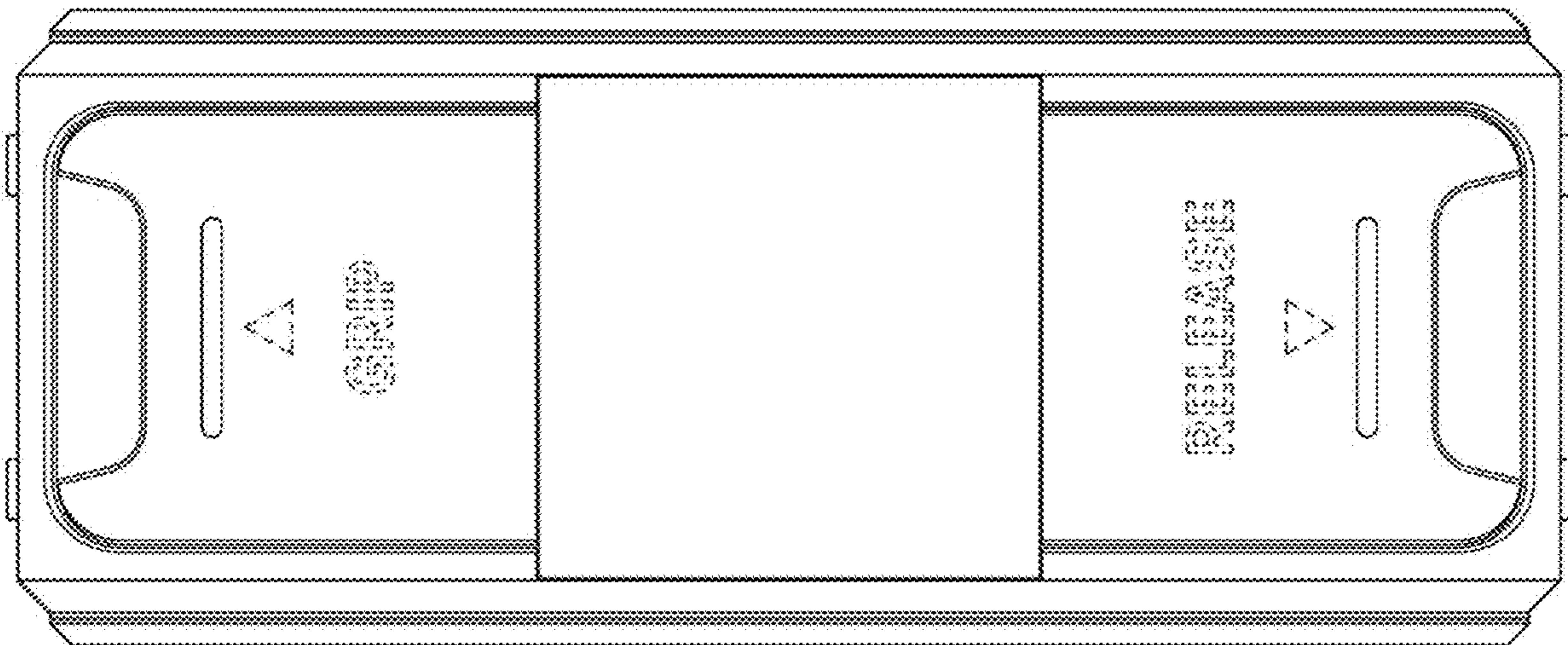
1 Claim, 8 Drawing Sheets



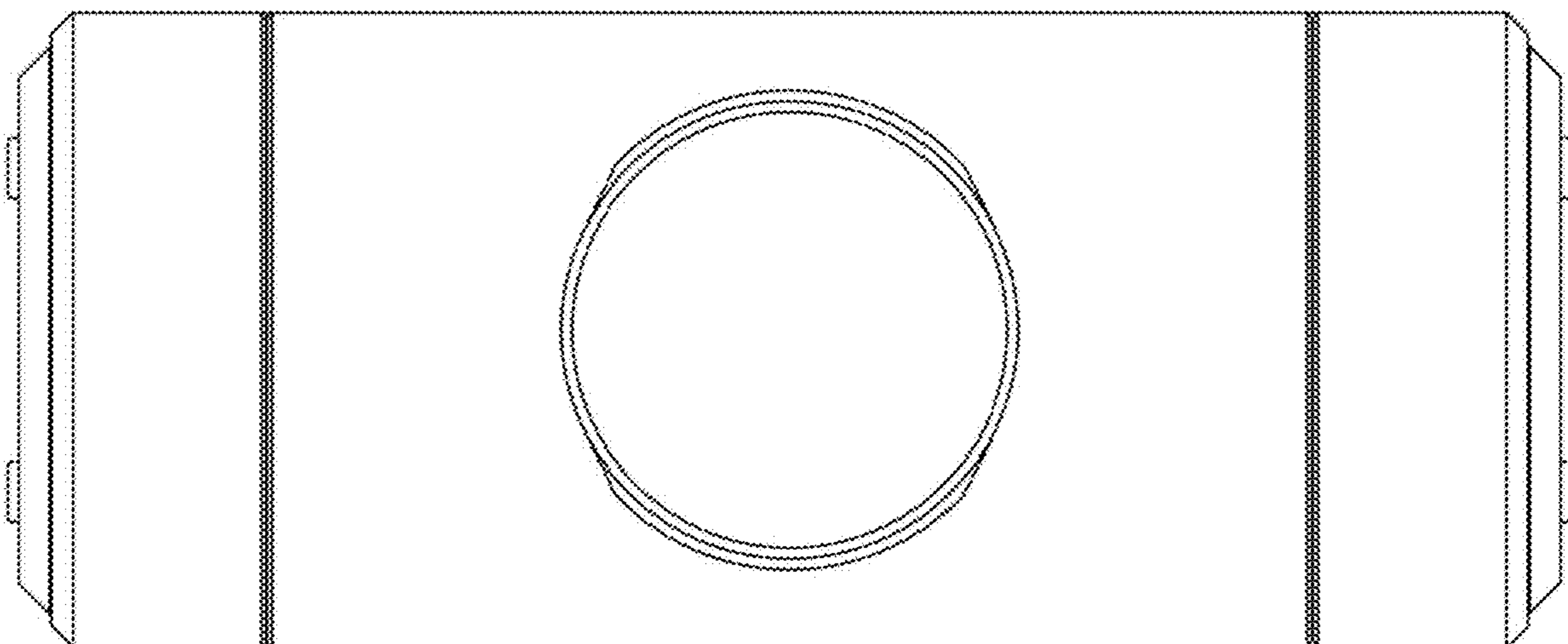
1.1



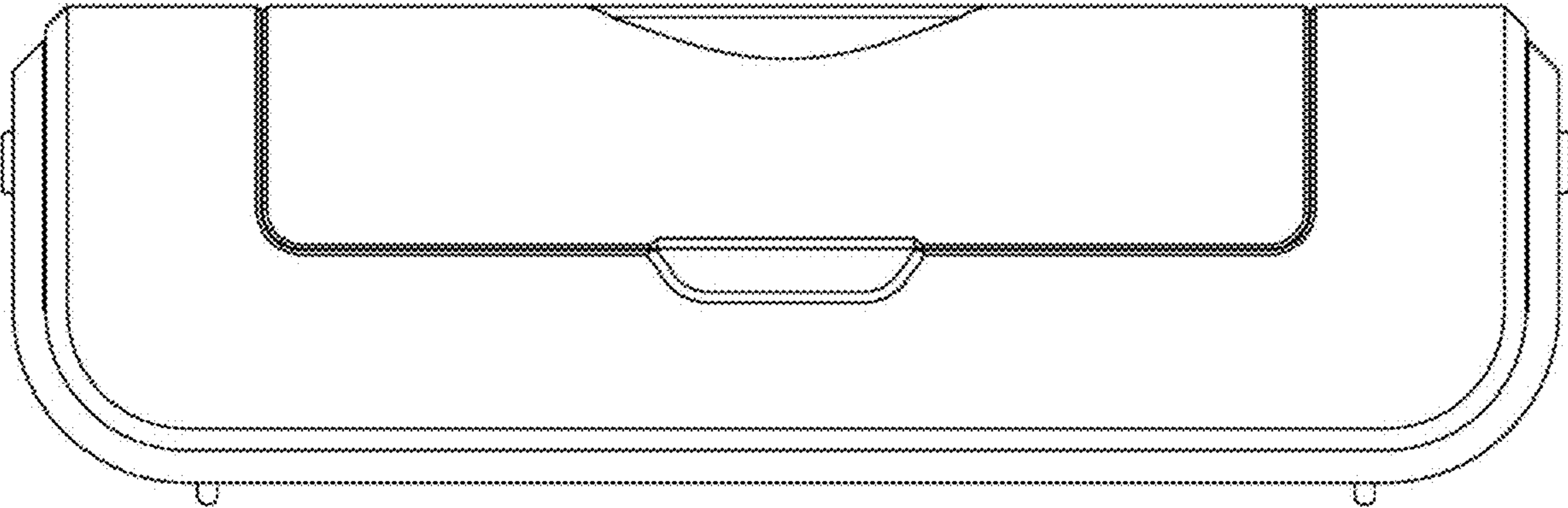
1.2



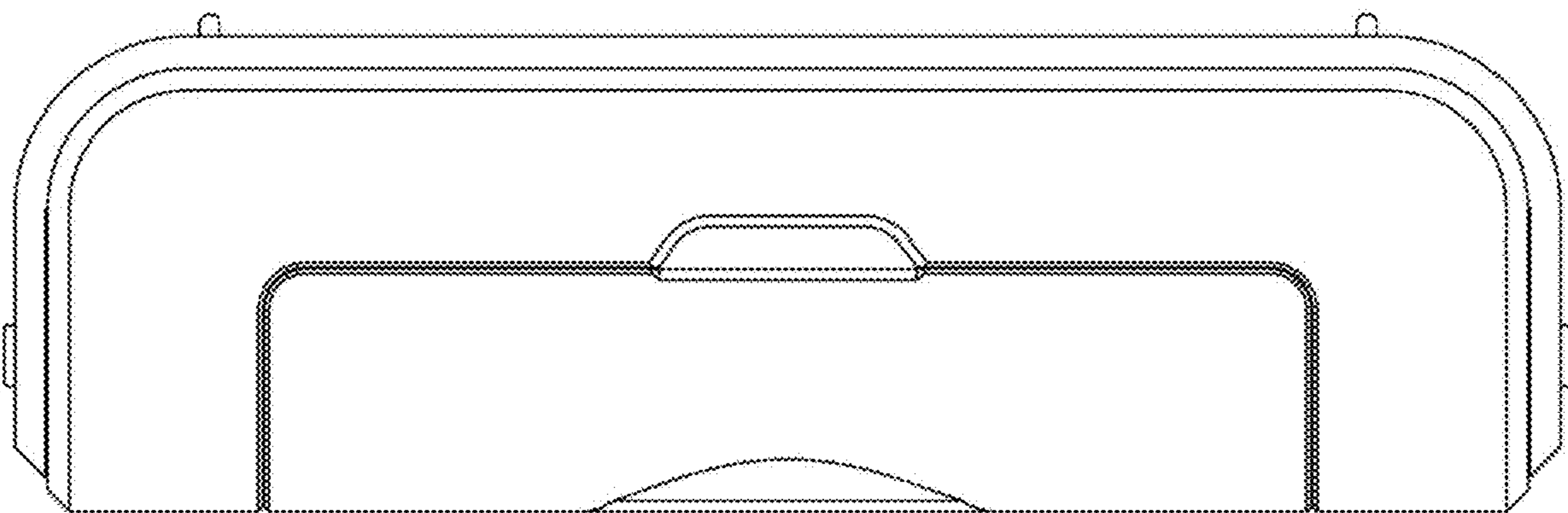
1.3



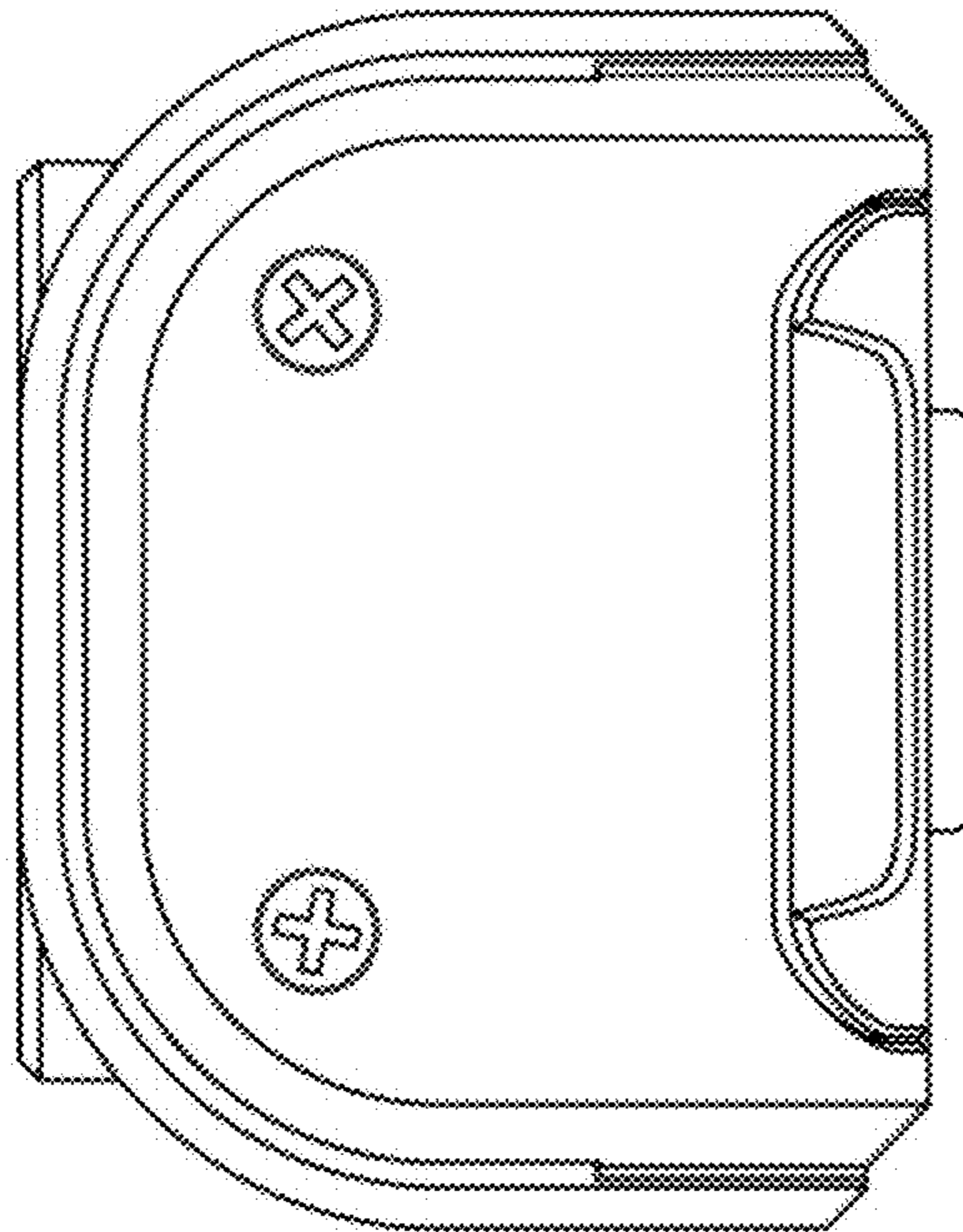
1.4



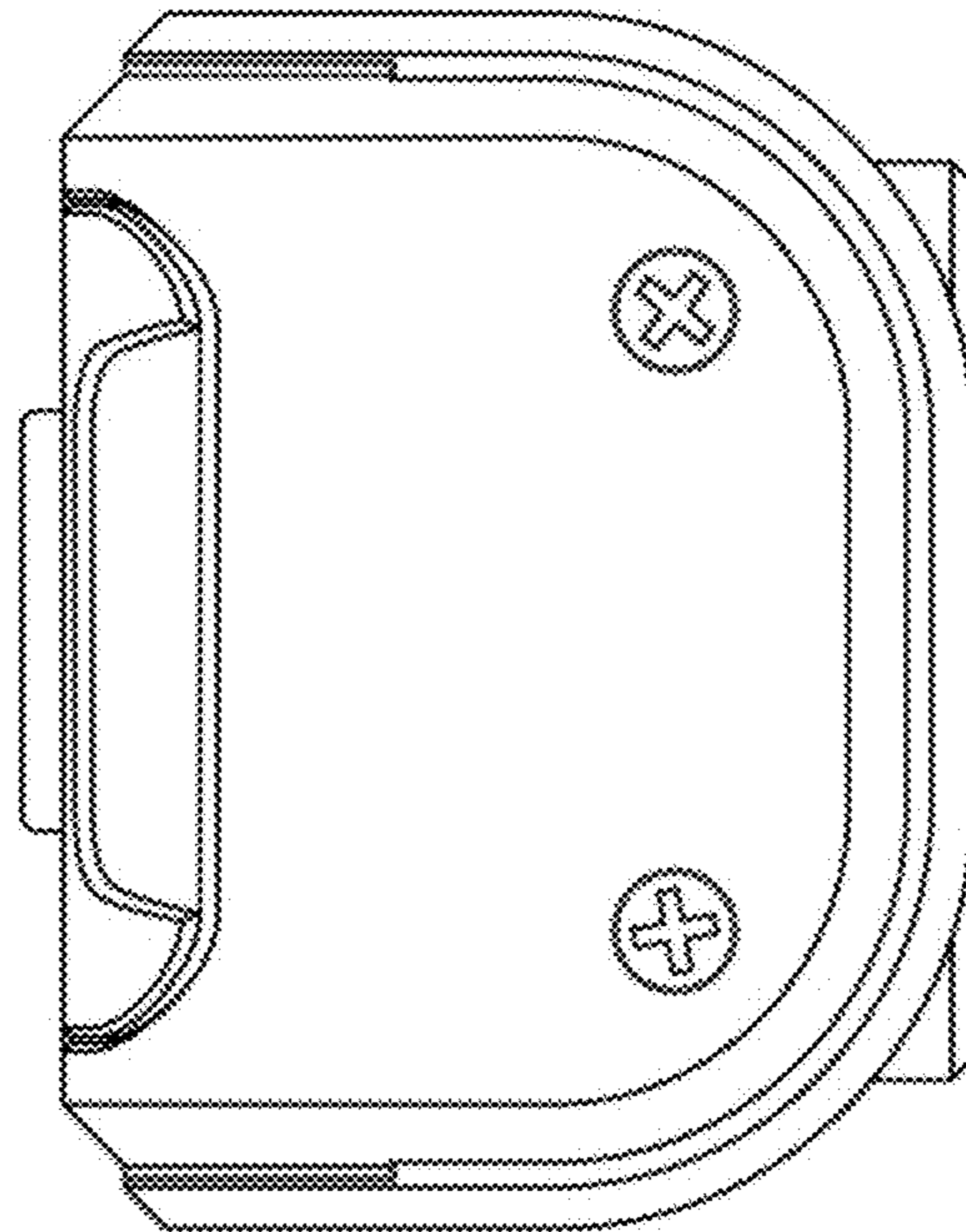
1.5



1.6



1.7



1.8

