



US00D879727S

(12) **United States Design Patent**
Shen

(10) **Patent No.:** **US D879,727 S**

(45) **Date of Patent:** **** Mar. 31, 2020**

(54) **PADDLE CONTROLLER**

(71) Applicant: **TIMOTION TECHNOLOGY CO., LTD.**, New Taipei (TW)

(72) Inventor: **Bo-Yen Shen**, New Taipei (TW)

(73) Assignee: **TIMOTION TECHNOLOGY CO., LTD.**, New Taipei (TW)

(**) Term: **15 Years**

(21) Appl. No.: **29/673,125**

(22) Filed: **Dec. 12, 2018**

(51) **LOC (12) Cl.** **13-03**

(52) **U.S. Cl.**
USPC **D13/167**

(58) **Field of Classification Search**
USPC D13/164, 167; D15/72; D17/20, 99;
D24/179

CPC .. G10H 1/0002; G10H 1/0008; G10H 1/0058;
G10H 1/0556; G10H 1/32; G10H 1/34;
G10H 1/344; G10H 1/46; G10H 1/348;
G10H 3/146; H01H 211/26; H01H 13/14;
H01H 13/16; G06F 3/0034
See application file for complete search history.

(56) **References Cited**

U.S. PATENT DOCUMENTS

8,853,571 B2 * 10/2014 Tseng H01H 13/16
200/86.5
D766,842 S * 9/2016 Lewis D13/167

D790,482 S * 6/2017 Lazzaro D13/167
D817,897 S * 5/2018 Lin D13/164
D863,232 S * 10/2019 Oberlaender D13/167
D863,233 S * 10/2019 Oberlaender D13/167
D863,234 S * 10/2019 Oberlaender D13/167
2007/0078539 A1 * 4/2007 Kuhner H01H 3/14
700/90
2011/0011708 A1 * 1/2011 Ellafrits A61B 6/00
200/86.5

* cited by examiner

Primary Examiner — Selina Sikder

(74) *Attorney, Agent, or Firm* — Chun-Ming Shih; HDLS IPR Services

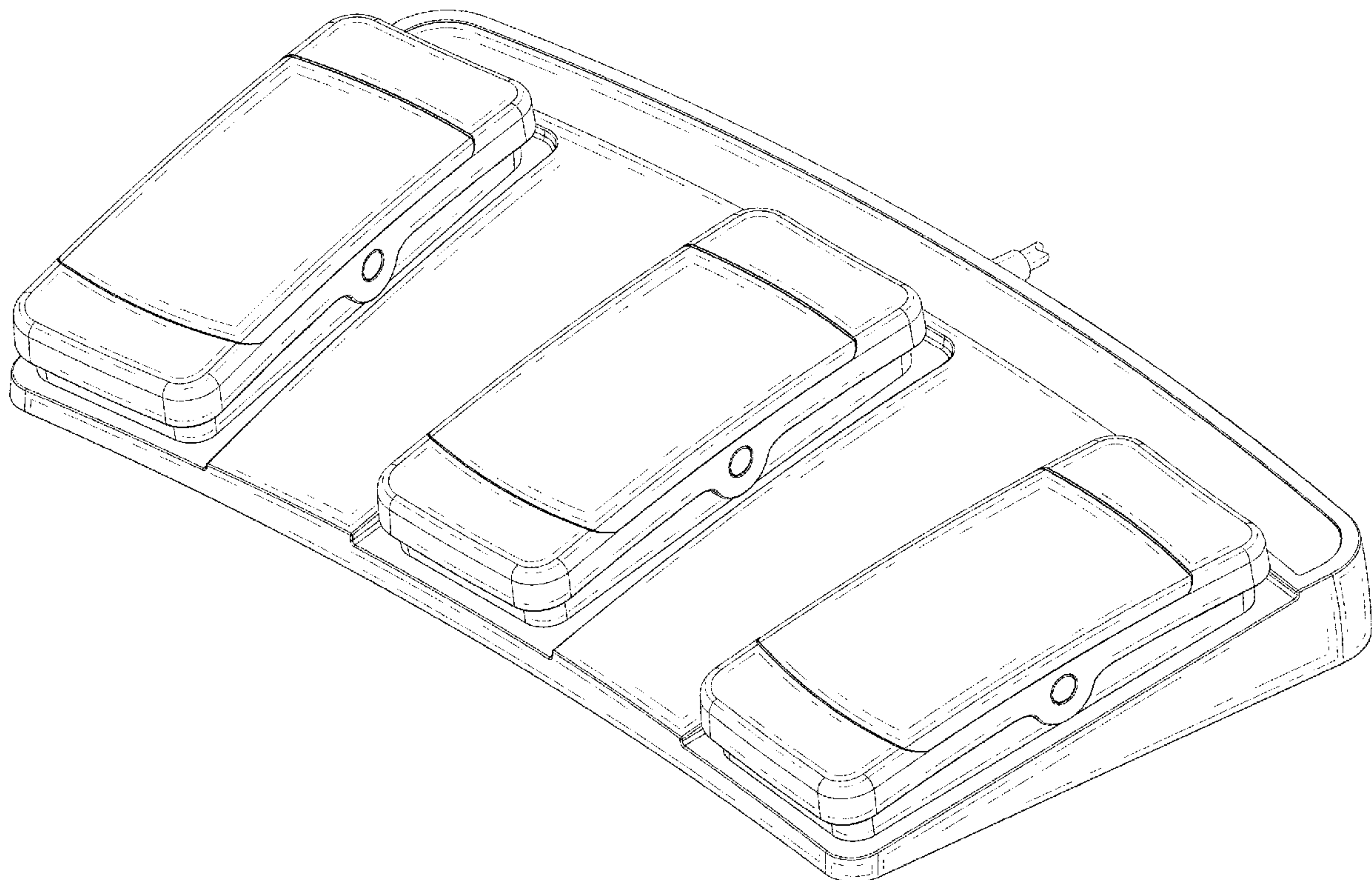
(57) **CLAIM**

The ornamental design for a paddle controller, as shown and described.

DESCRIPTION

FIG. 1 is a perspective view of a paddle controller showing my new design;
FIG. 2 is a front view thereof;
FIG. 3 is a rear view thereof;
FIG. 4 is a left side view thereof;
FIG. 5 is a right side view thereof;
FIG. 6 is a top view thereof;
FIG. 7 is a bottom view thereof; and,
FIG. 8 is second perspective view showing the paddle controller.

1 Claim, 8 Drawing Sheets



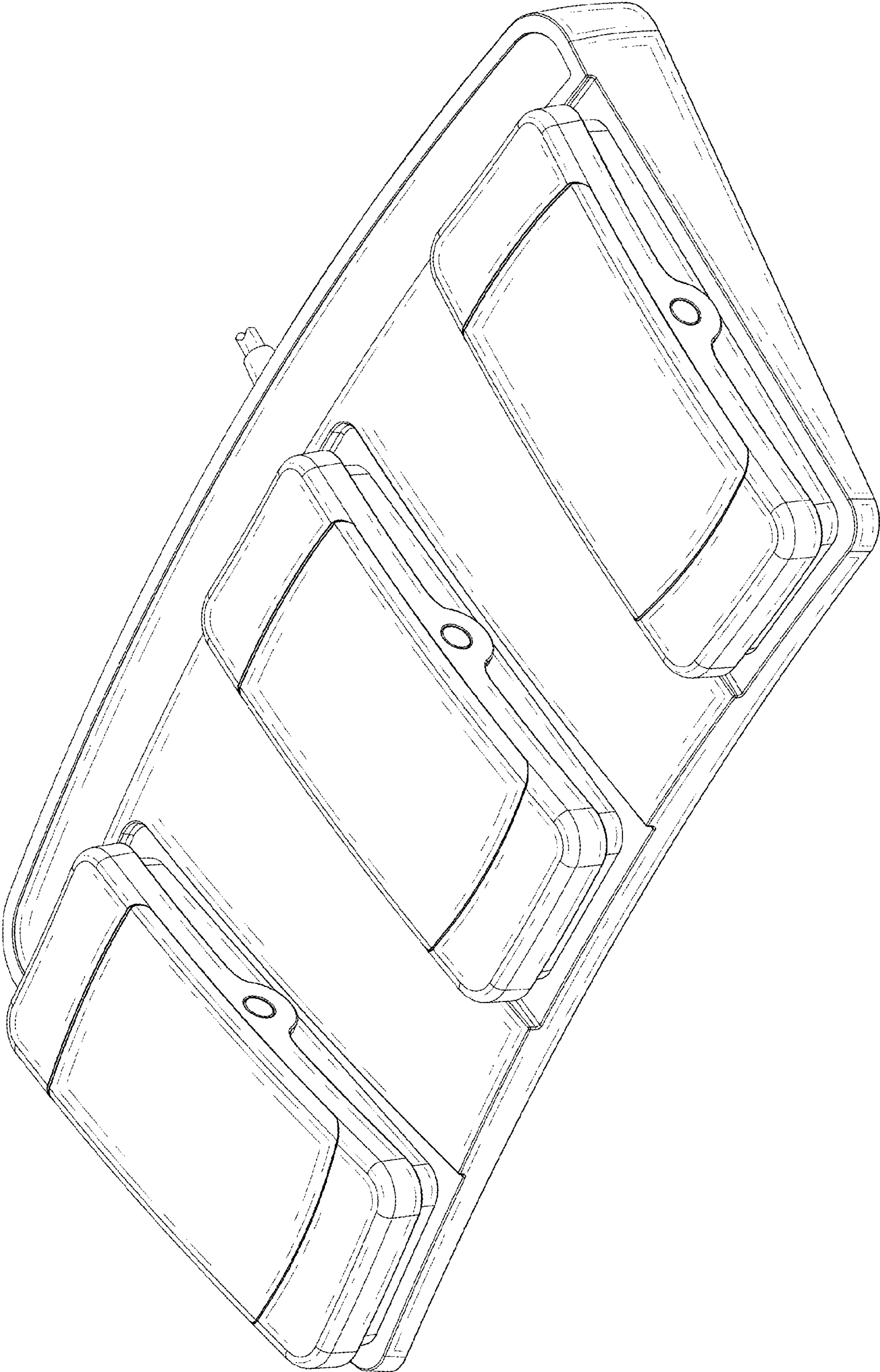


FIG.1

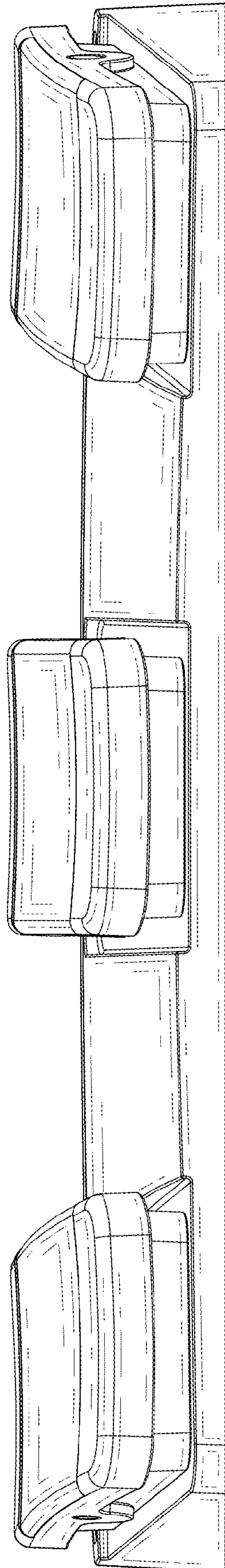


FIG.2

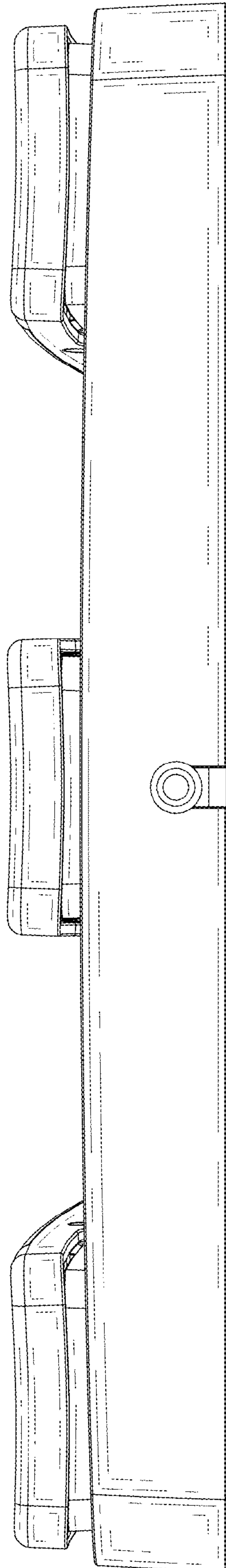


FIG.3

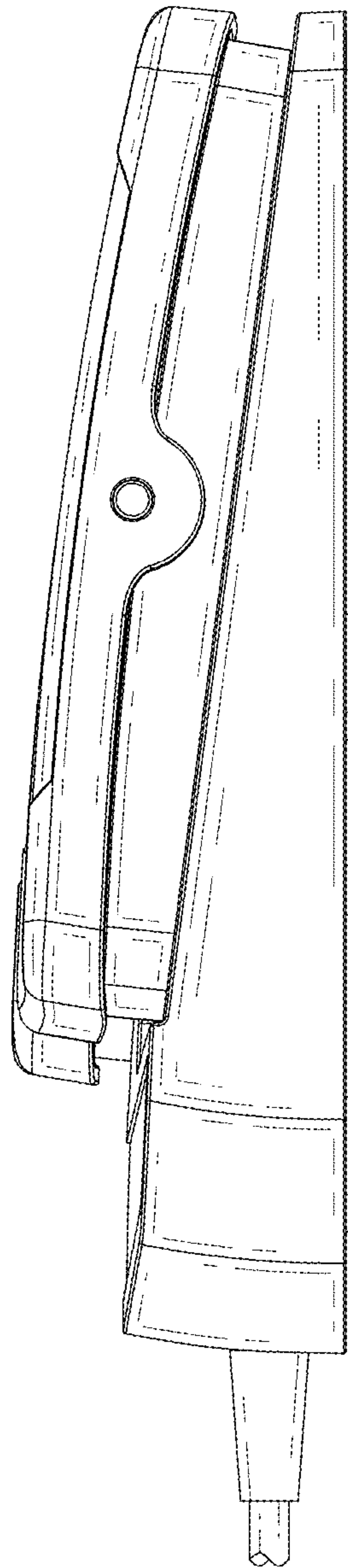


FIG.4

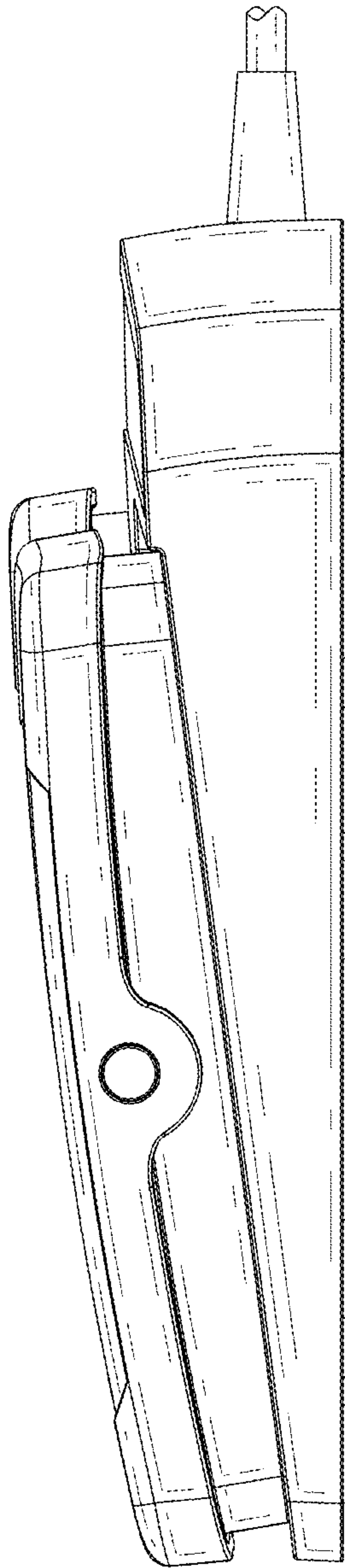


FIG.5

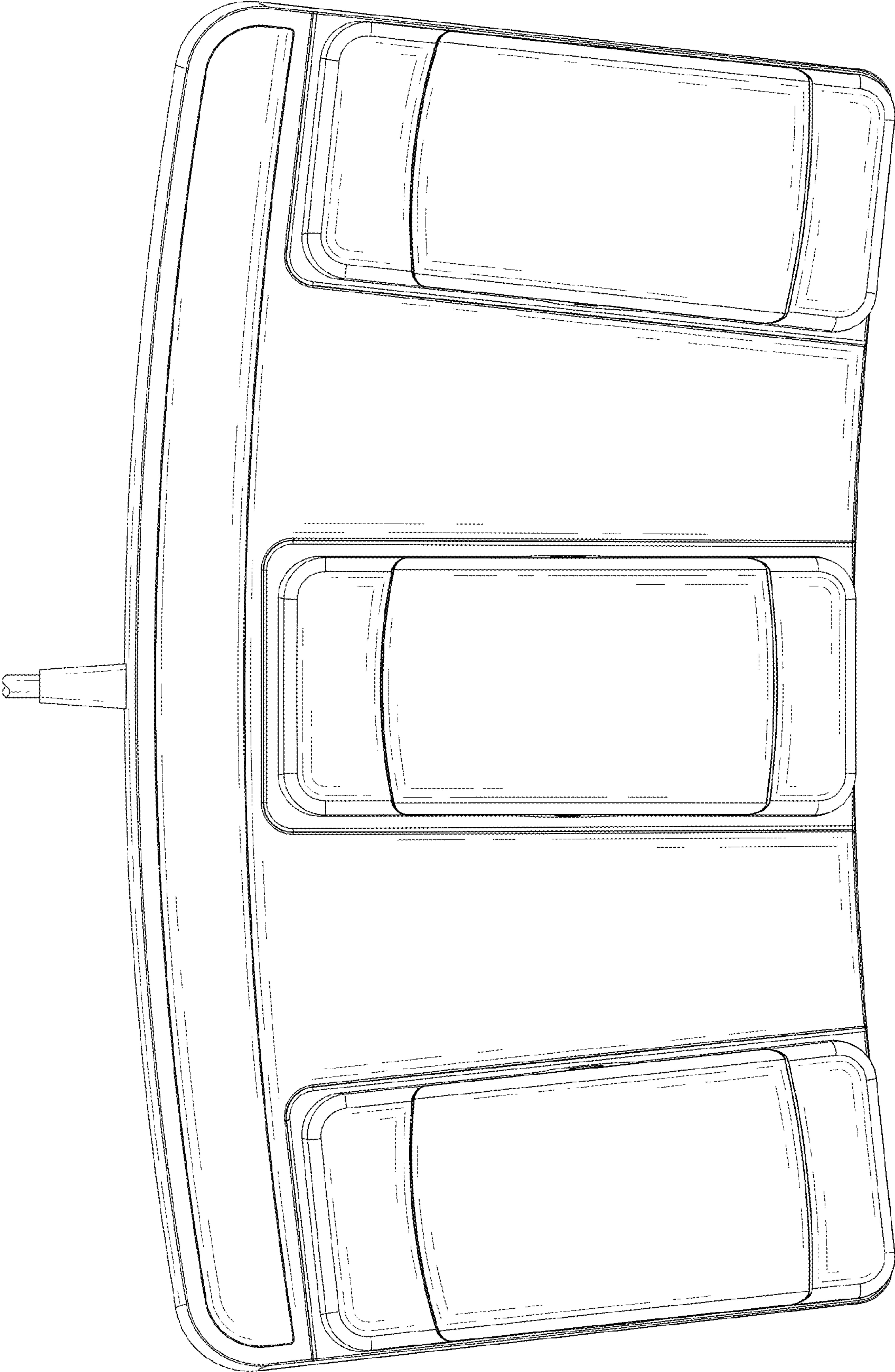


FIG.6

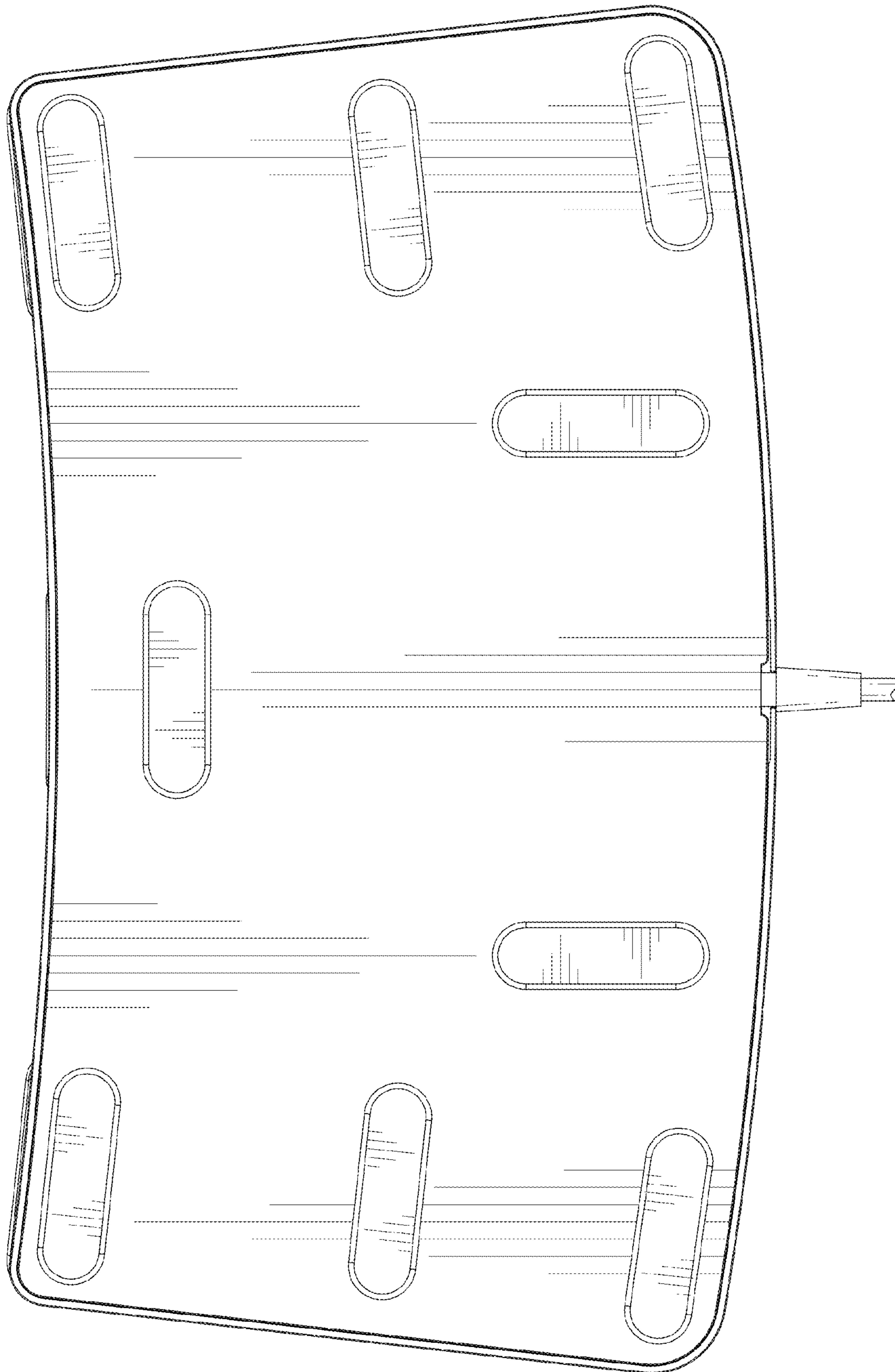


FIG.7

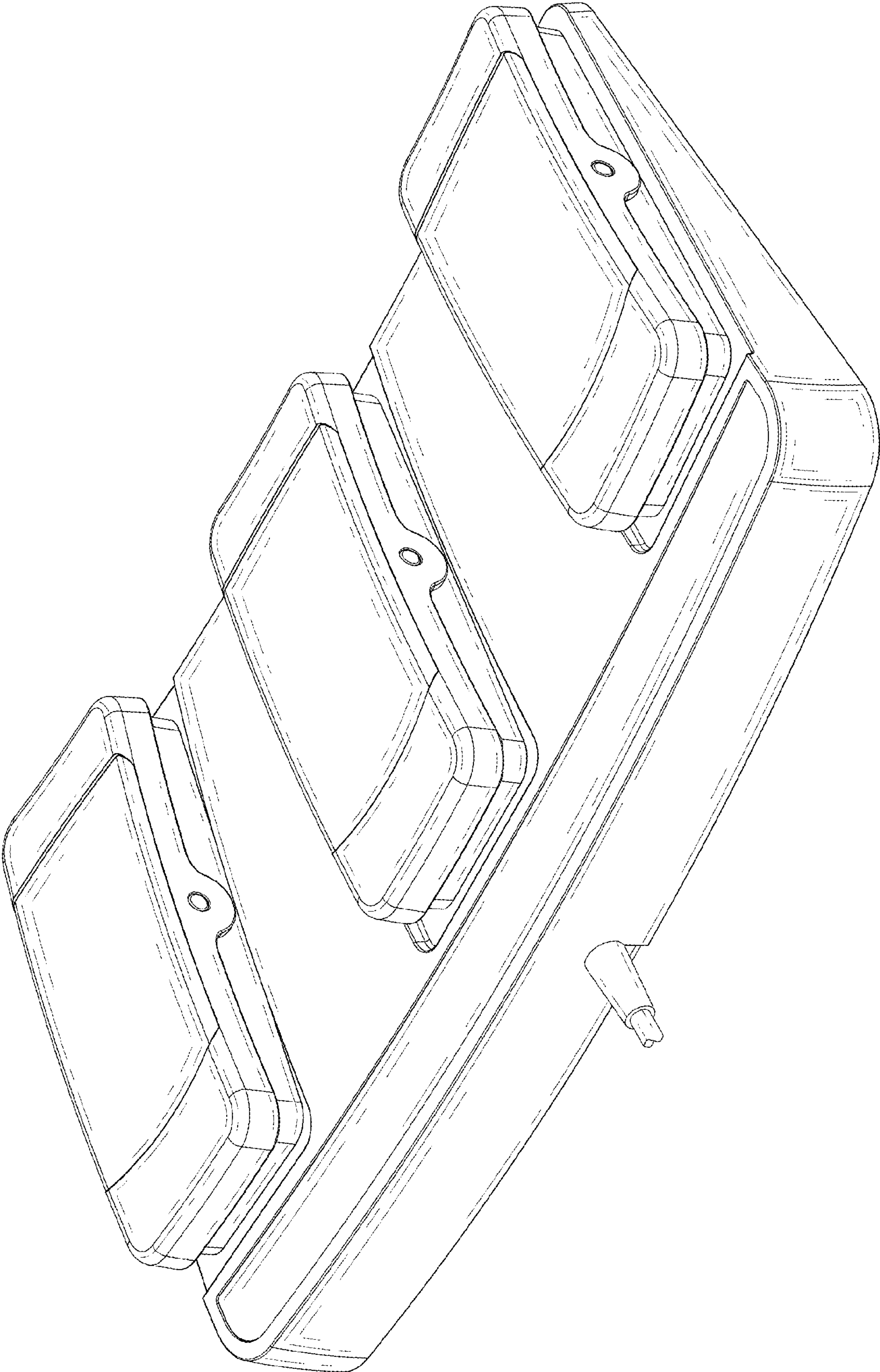


FIG.8