



US00D879725S

(12) **United States Design Patent**
DeJong et al.

(10) **Patent No.:** **US D879,725 S**
(45) **Date of Patent:** **** Mar. 31, 2020**

(54) **CAP FOR OPTICAL FIBER CONNECTORS**

(71) Applicant: **CORNING RESEARCH & DEVELOPMENT CORPORATION**,
Corning, NY (US)

(72) Inventors: **Michael DeJong**, Colleyville, TX (US);
Wolf Peter Kluwe, Hagen (DE);
Terence Lup-ho Kwan, San Francisco, CA (US); **Matthew Wallace Peterson**,
San Francisco, CA (US); **Dayne Wilcox**, El Cerrito, CA (US)

(73) Assignee: **Corning Research & Development Corporation**, Charlotte, NC (US)

(**) Term: **15 Years**

(21) Appl. No.: **29/624,373**

(22) Filed: **Oct. 31, 2017**

(51) **LOC (12) Cl.** **13-03**

(52) **U.S. Cl.**
USPC **D13/156**

(58) **Field of Classification Search**
USPC 385/49; 359/511, 513; 439/148;
D13/155, 153, 133, 156, 139.4, 139.1,
D13/108, 147, 154, 199
See application file for complete search history.

(56) **References Cited**

U.S. PATENT DOCUMENTS

- 6,227,717 B1 * 5/2001 Ott G02B 6/3849
385/134
- 6,309,247 B1 * 10/2001 Wang H01R 13/5213
439/135
- D453,323 S * 2/2002 Conrad D13/154
- 6,398,422 B1 * 6/2002 Szilagyi G02B 6/3849
385/76
- D472,879 S * 4/2003 Ouchi D13/147

- 6,547,450 B2 4/2003 Lampert
- 7,164,840 B2 1/2007 Hsieh
- D551,628 S * 9/2007 Meier D13/154
- D572,661 S 7/2008 En Lin et al.
- 7,706,657 B1 * 4/2010 McQuiggan G02B 6/3825
385/134
- 8,244,089 B2 * 8/2012 Chen G02B 6/3849
385/134

(Continued)

FOREIGN PATENT DOCUMENTS

- JP 2001013373 A 1/2001
- JP 2001235653 A 8/2001
- JP 04060992 B2 3/2008

Primary Examiner — Derrick E Holland

Assistant Examiner — Jennifer O King

(74) *Attorney, Agent, or Firm* — Adam R. Weeks

(57) **CLAIM**

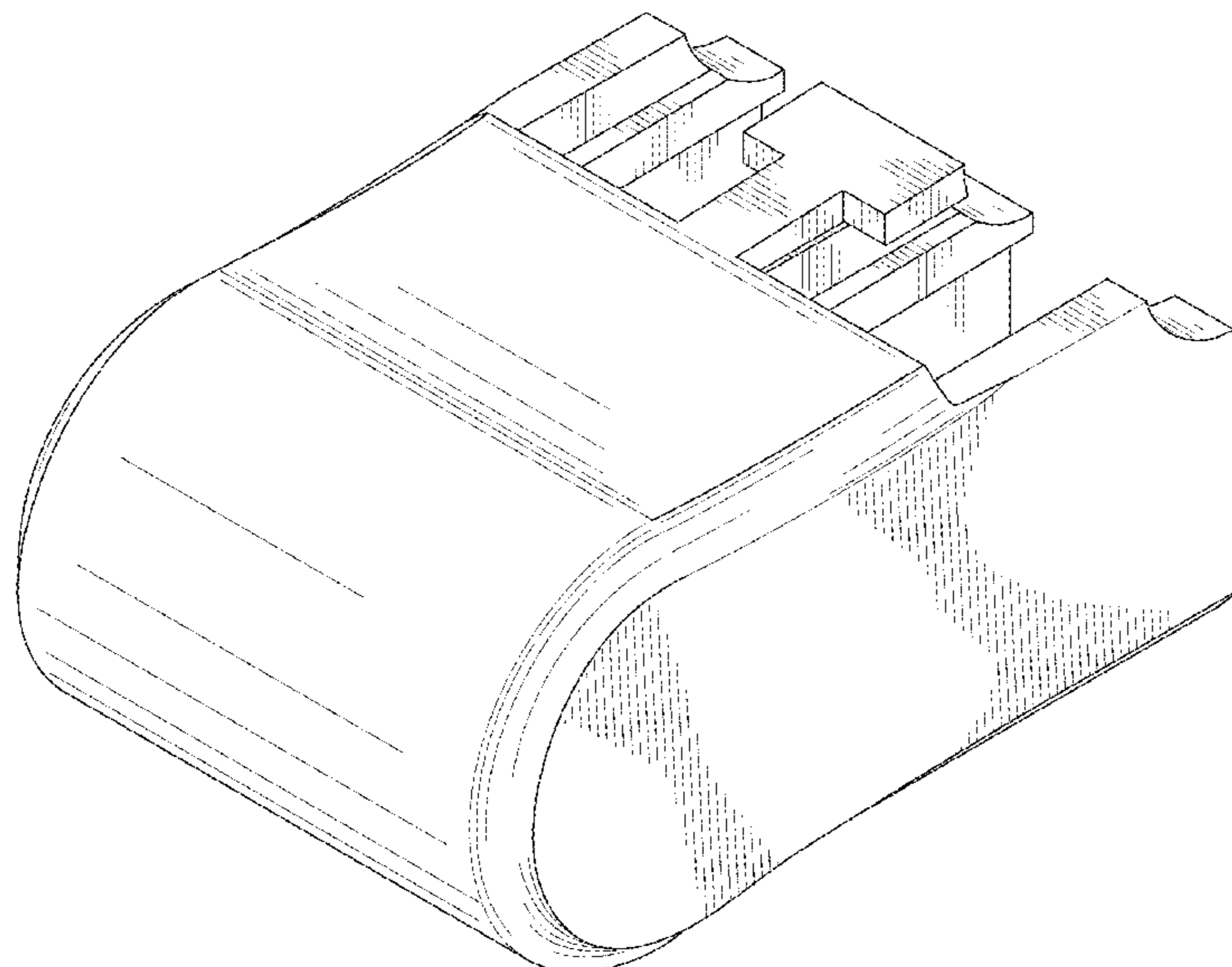
The ornamental design of a cap for optical fiber connectors, as shown and described.

DESCRIPTION

FIG. 1 is a perspective view of a cap for an optical fiber connector;
 FIG. 2 is another perspective view thereof, shown in environmental use;
 FIG. 3 is a front side elevation view thereof;
 FIG. 4 is a back side elevation view thereof;
 FIG. 5 is a right side elevation view thereof;
 FIG. 6 is a left side elevation view thereof;
 FIG. 7 is a top plan view thereof; and,
 FIG. 8 is a bottom view thereof.

The broken line portion of the figure drawings is included to show portions of the cap for optical fiber connectors that form no part of the claimed design. The additional broken lines of FIG. 2 show an exemplary optical fiber connector and form no part of the claimed design.

1 Claim, 7 Drawing Sheets



(56)

References Cited

U.S. PATENT DOCUMENTS

8,323,042	B2 *	12/2012	Lin	H01R 13/443 439/133
D772,170	S	11/2016	Watanabe et al.	
9,823,425	B2 *	11/2017	Xiao	G02B 6/3849
2002/0058433	A1 *	5/2002	O'Malley	H01R 13/443 439/148
2005/0220434	A1 *	10/2005	Hsieh	G02B 6/3849 385/134
2007/0230874	A1 *	10/2007	Lin	G02B 6/3825 385/53
2011/0188813	A1 *	8/2011	Marcouiller	G02B 6/3849 385/78

* cited by examiner

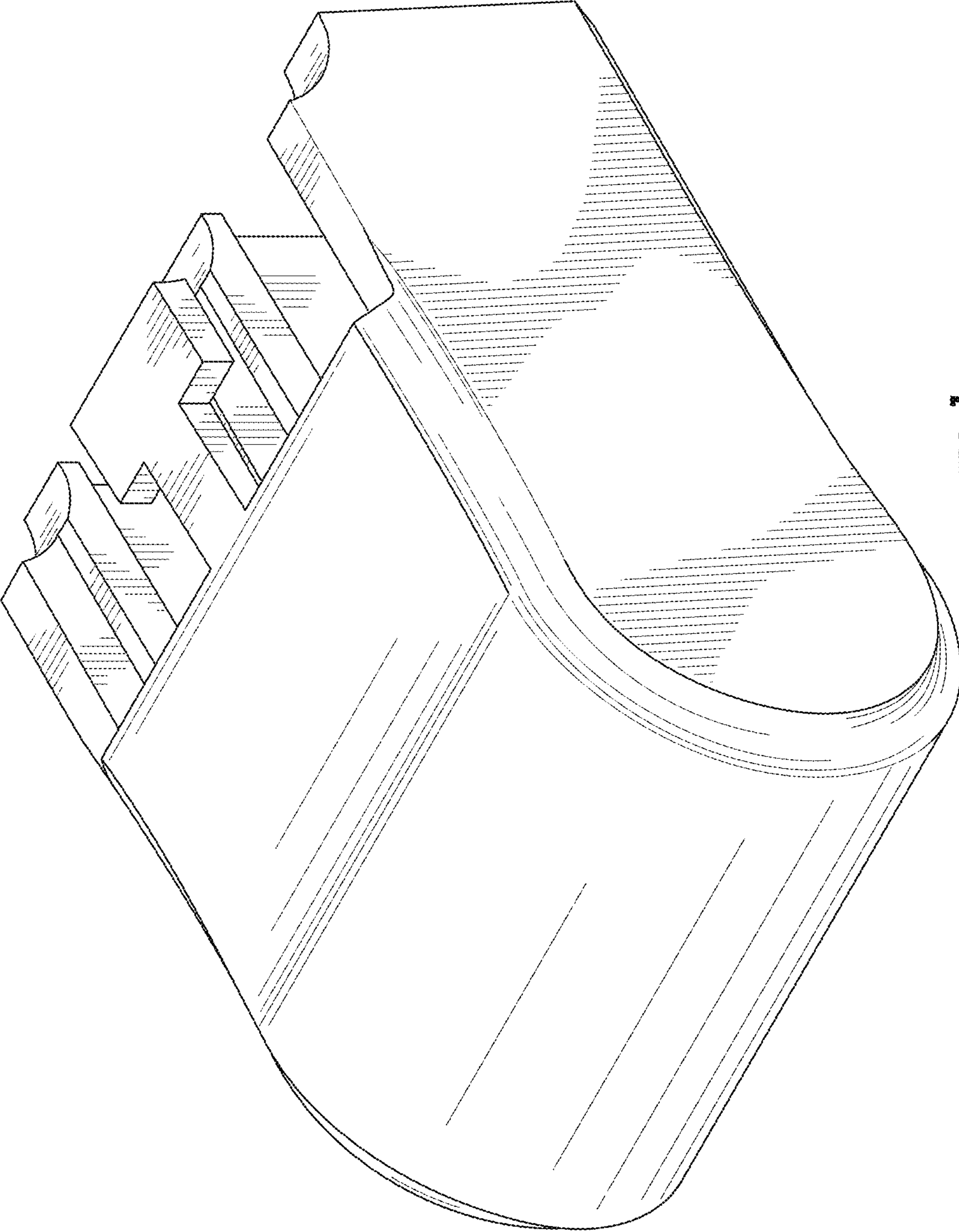
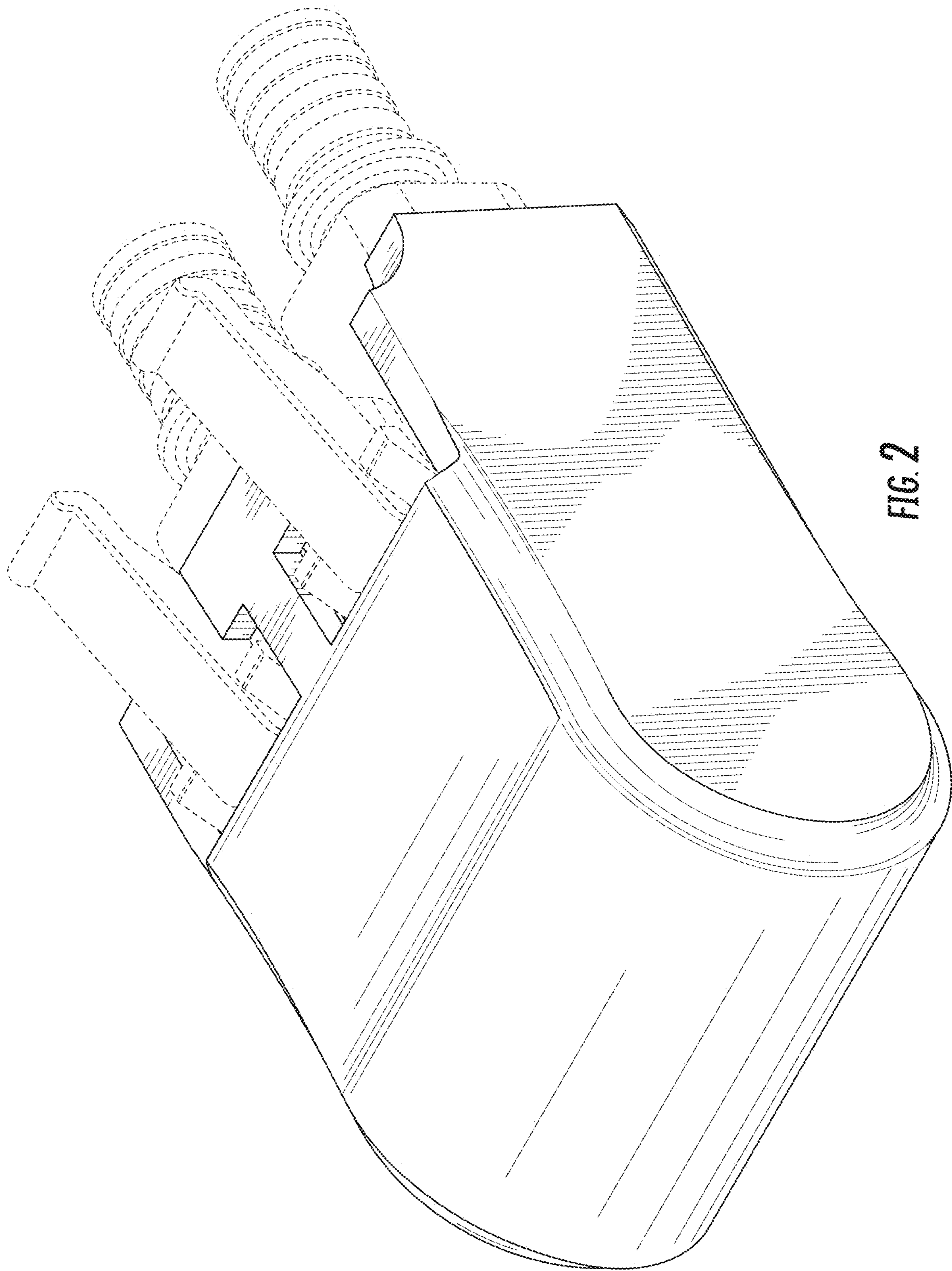


FIG. 1



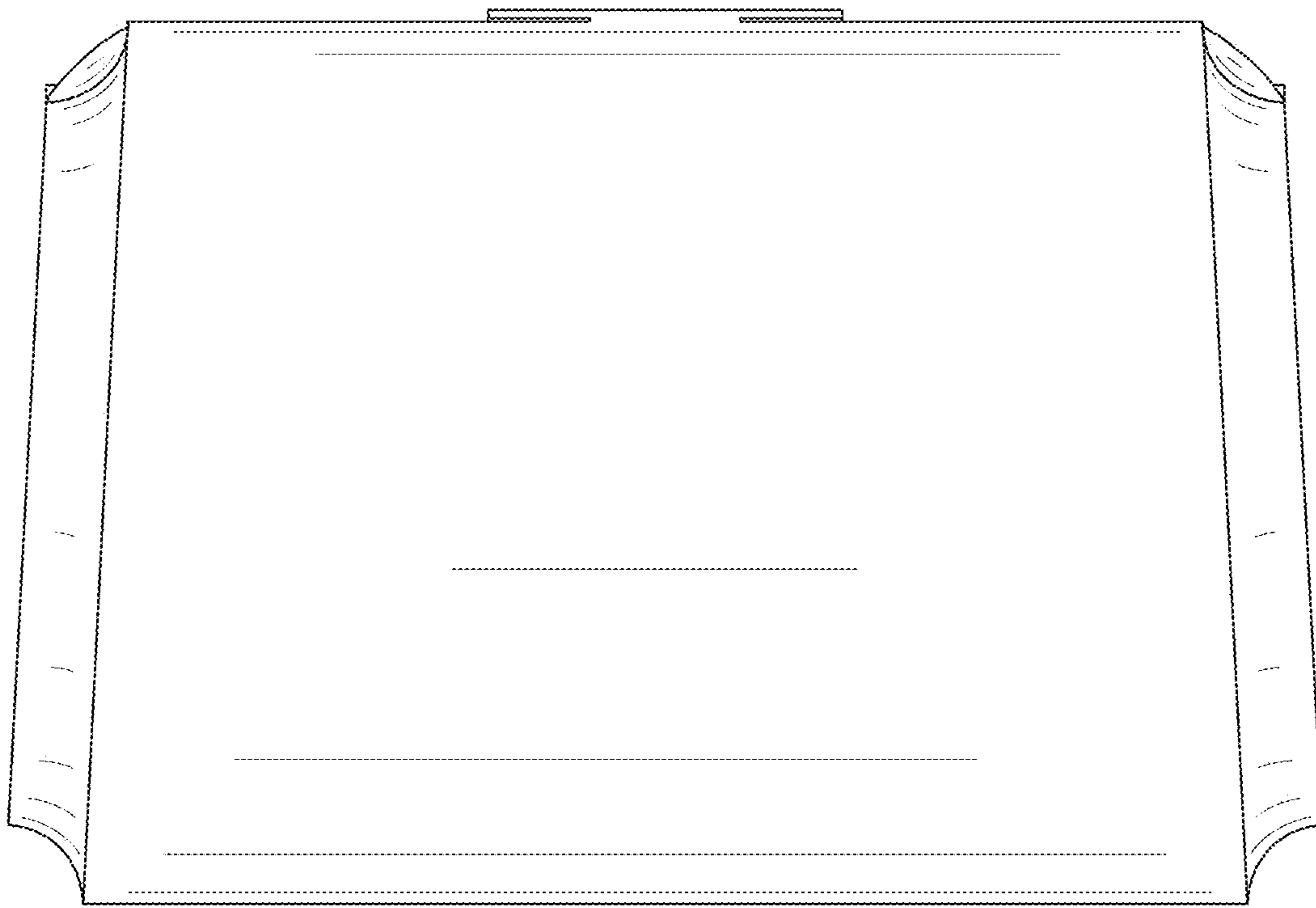


FIG. 3

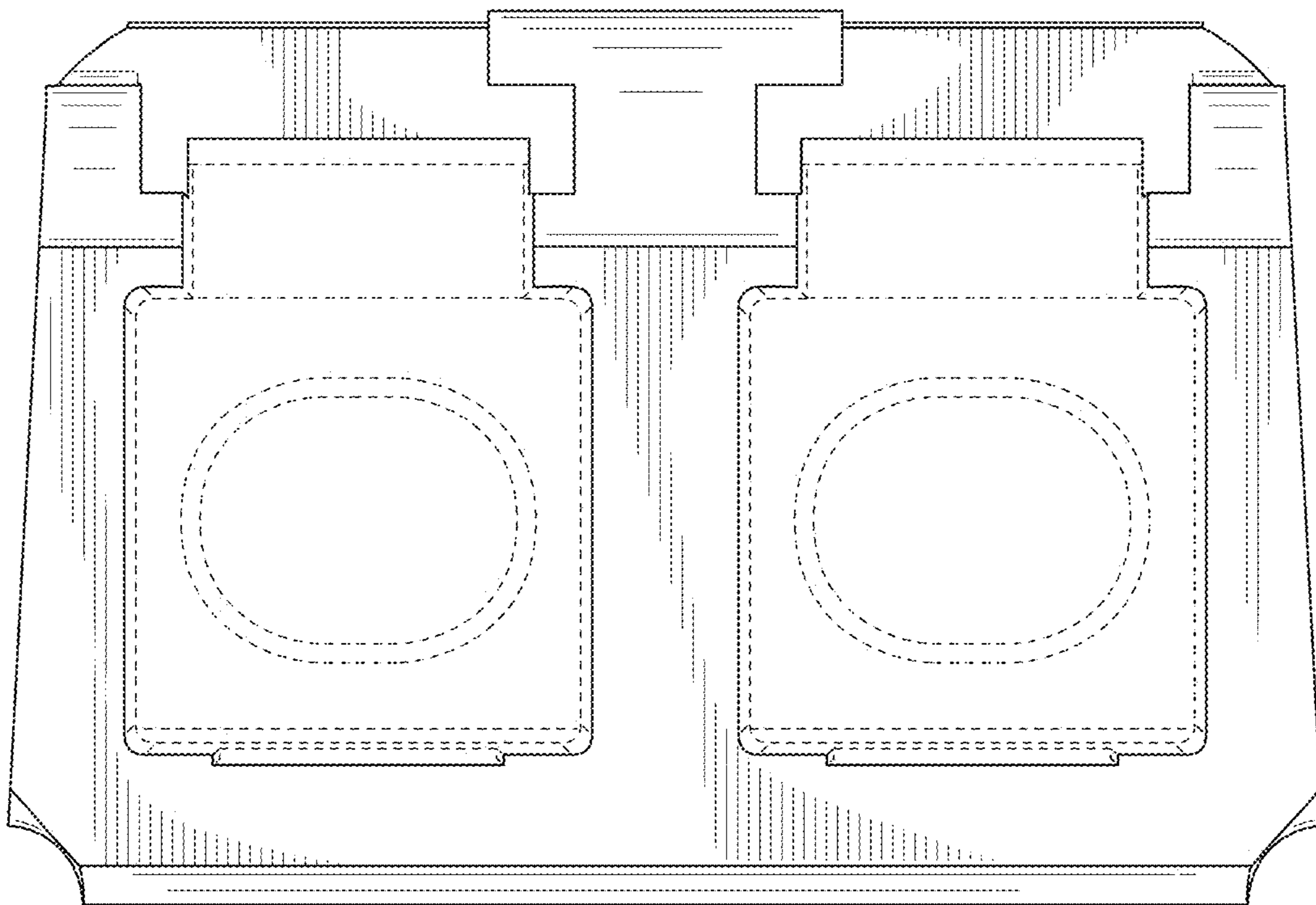


FIG. 4

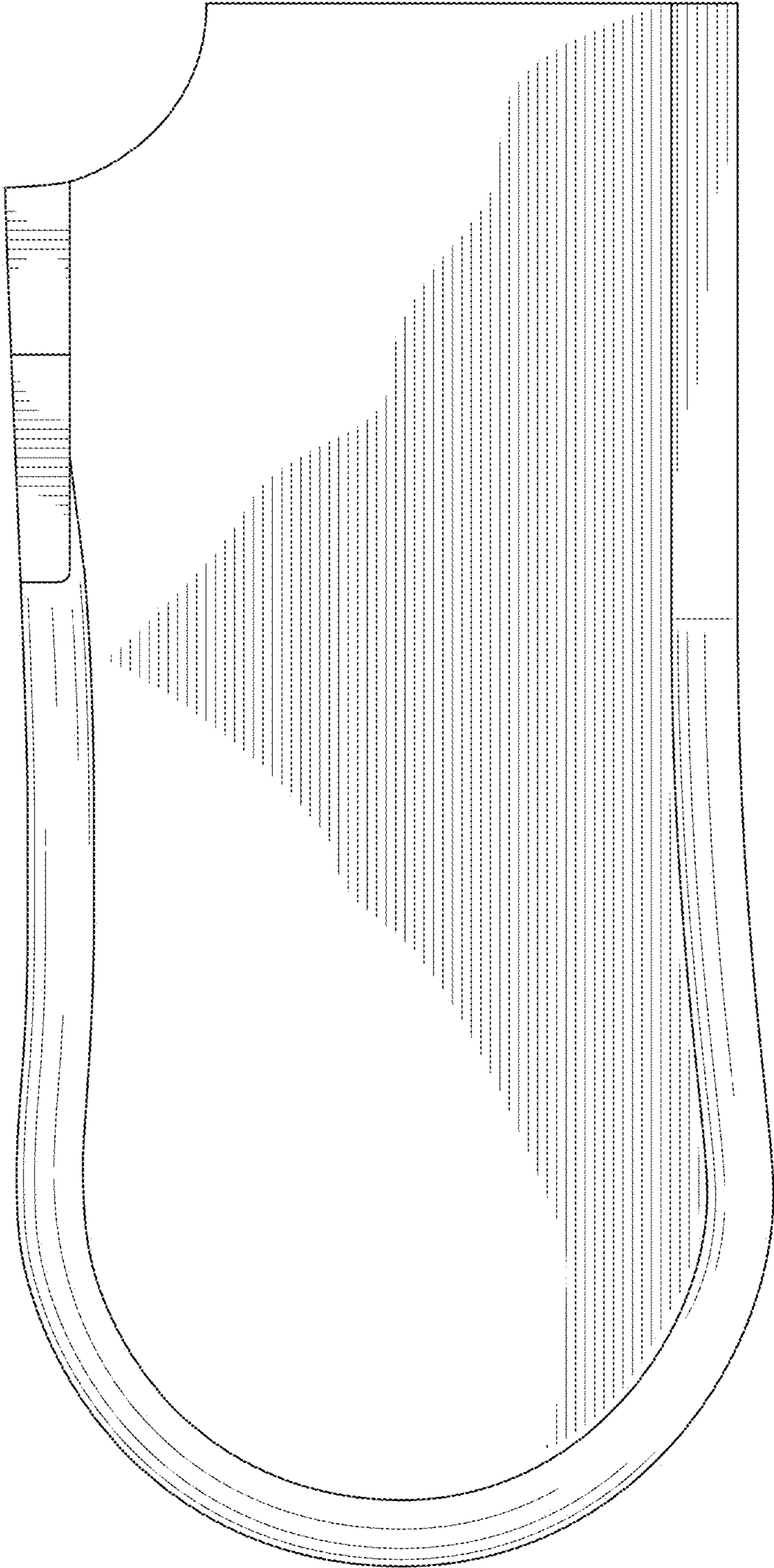


FIG. 5

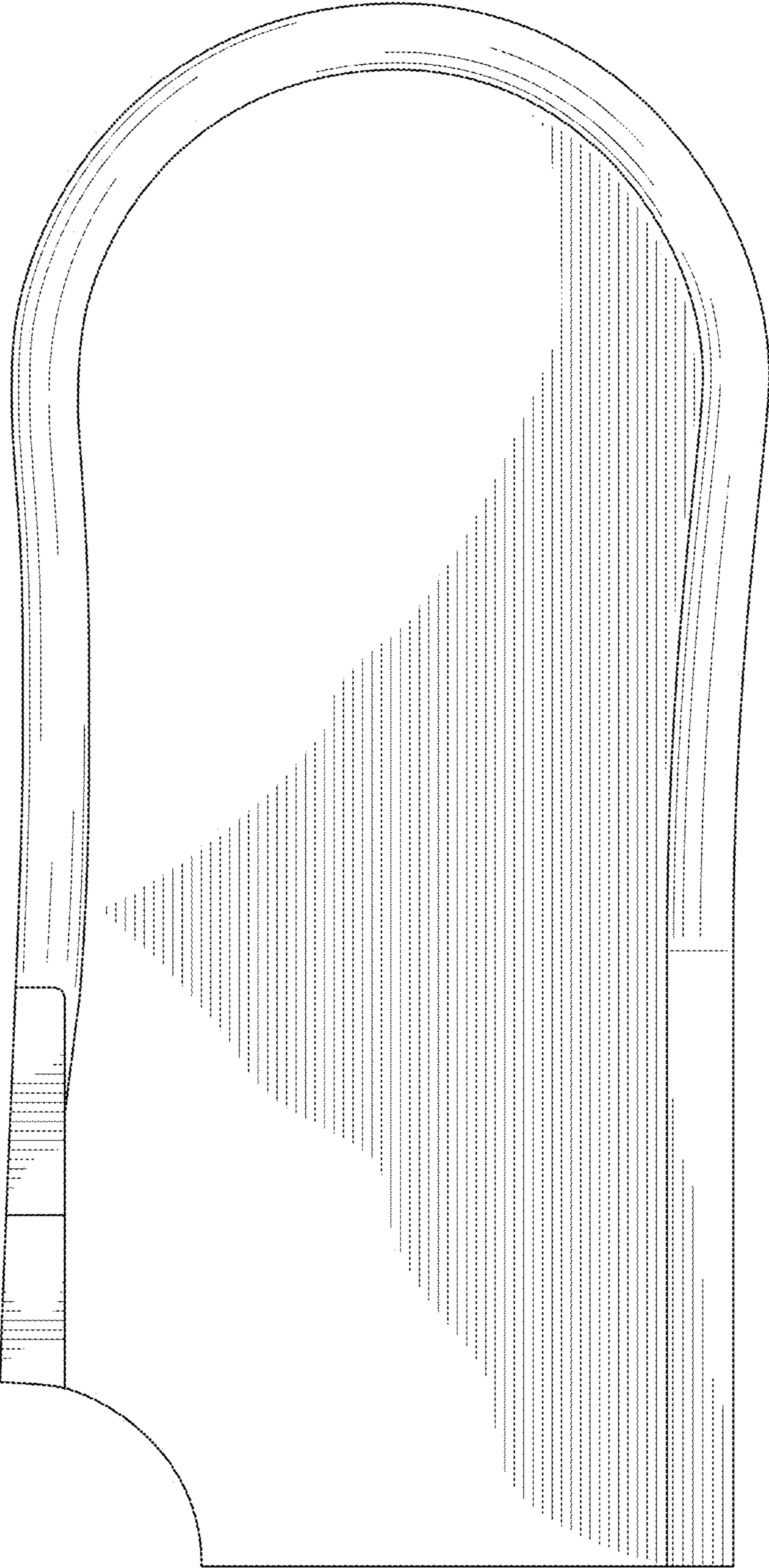


FIG. 6

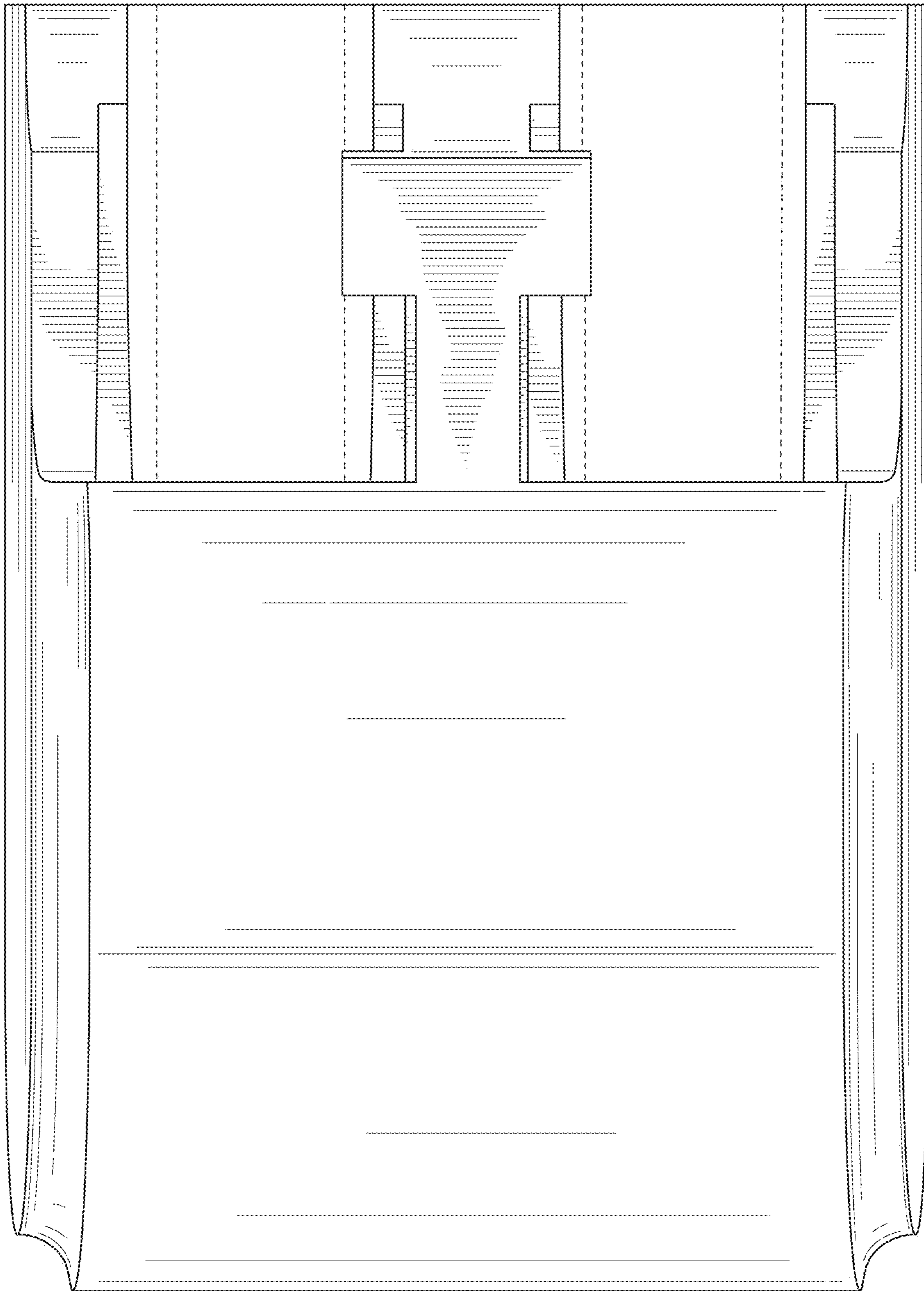


FIG. 7

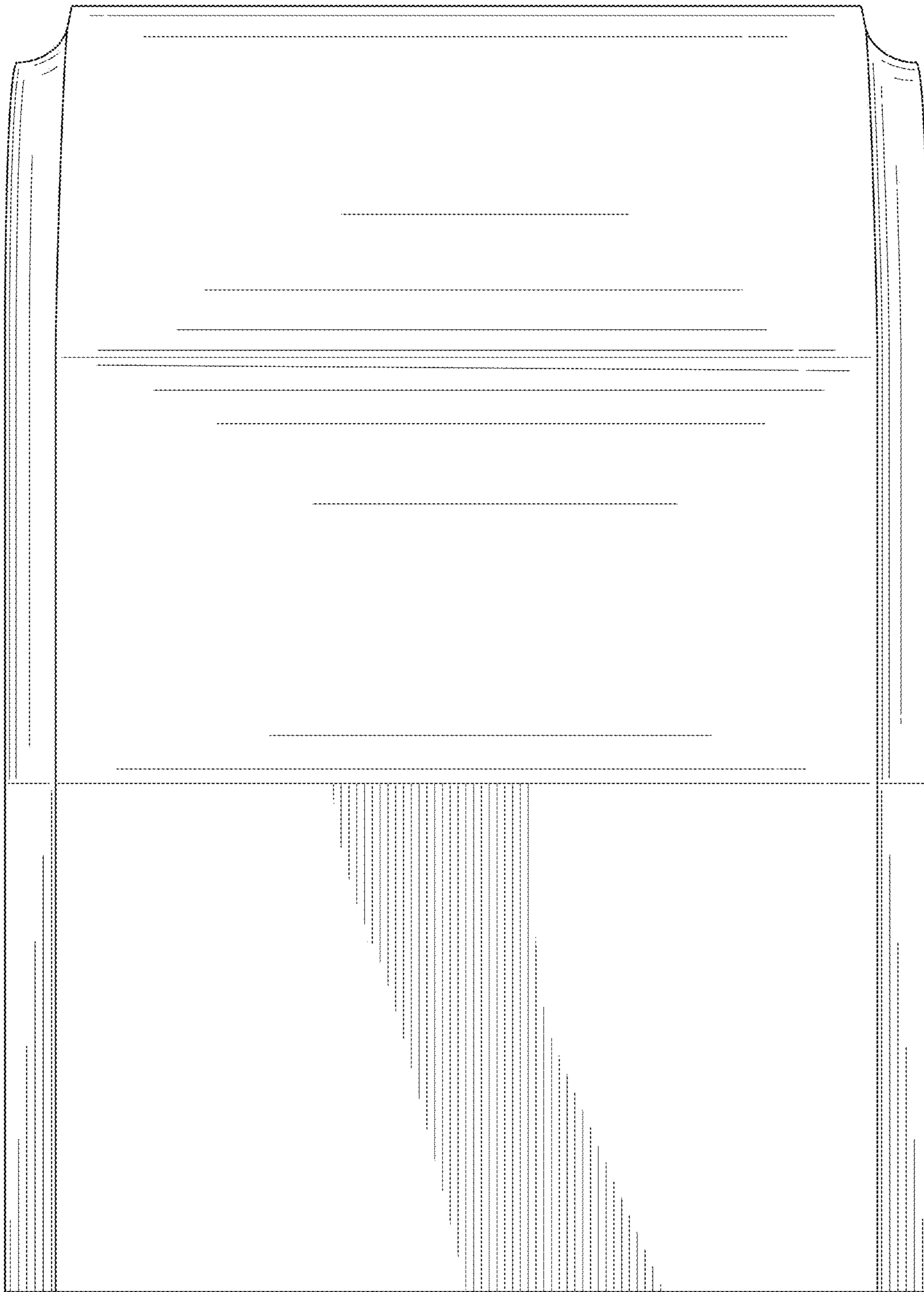


FIG. 8