

US00D879719S

(12) **United States Design Patent**  
**Hu**

(10) **Patent No.:** **US D879,719 S**

(45) **Date of Patent:** **\*\* Mar. 31, 2020**

(54) **ELECTRIC CABLE SOCKET**

(71) Applicant: **Qingdao Baobin Electronics Technology Co., Ltd.**, Qingdao, Shandong (CN)

(72) Inventor: **Baobin Hu**, Shandong (CN)

(\*\*) Term: **15 Years**

(21) Appl. No.: **29/708,950**

(22) Filed: **Oct. 10, 2019**

(51) **LOC (12) Cl.** ..... **13-03**

(52) **U.S. Cl.**  
USPC ..... **D13/133**

(58) **Field of Classification Search**  
USPC ..... D13/107, 108, 110, 123, 133, 146, 147, D13/149, 153, 154, 156, 173, 184, 199  
CPC ... G02B 6/38; H01R 4/66; H01R 9/00; H01R 11/00; H01R 12/24; H01R 13/00; H01R 13/436; H01R 13/58; H01R 13/625; H01R 13/627; H01R 13/64; H01R 13/645  
See application file for complete search history.

(56) **References Cited**

**U.S. PATENT DOCUMENTS**

D244,859 S *	6/1977	Jaconette	.....	D13/138.1
D244,860 S *	6/1977	Jaconette	.....	D13/138.1
D245,417 S *	8/1977	Kneller	.....	D13/145
4,138,185 A *	2/1979	Jaconette, Jr.	.....	H01R 13/5825 174/156
D257,035 S *	9/1980	Ostrelich	.....	D13/138.1
D257,036 S *	9/1980	Smith	.....	D13/138.1
D317,591 S *	6/1991	Matsuzaki	.....	D13/147
D585,836 S *	2/2009	Lee	.....	D13/154

D586,759 S *	2/2009	Victor	.....	D13/156
D621,348 S *	8/2010	Nylen	.....	D13/108
D636,340 S *	4/2011	Sasaki	.....	D13/147
D642,984 S *	8/2011	Sasaki	.....	D13/147
D661,650 S *	6/2012	Auge, II	.....	D13/133
RE46,006 E *	5/2016	Uekihara	.....	D13/110
D858,447 S	9/2019	Chen		
2004/0147170 A1 *	7/2004	Greenwood	.....	H01R 13/504 439/696
2009/0247017 A1 *	10/2009	Wu	.....	H01R 13/502 439/660

\* cited by examiner

*Primary Examiner* — Angela J Lee

*Assistant Examiner* — Shawn T Gingrich

(74) *Attorney, Agent, or Firm* — Jie Yang; ZanIP

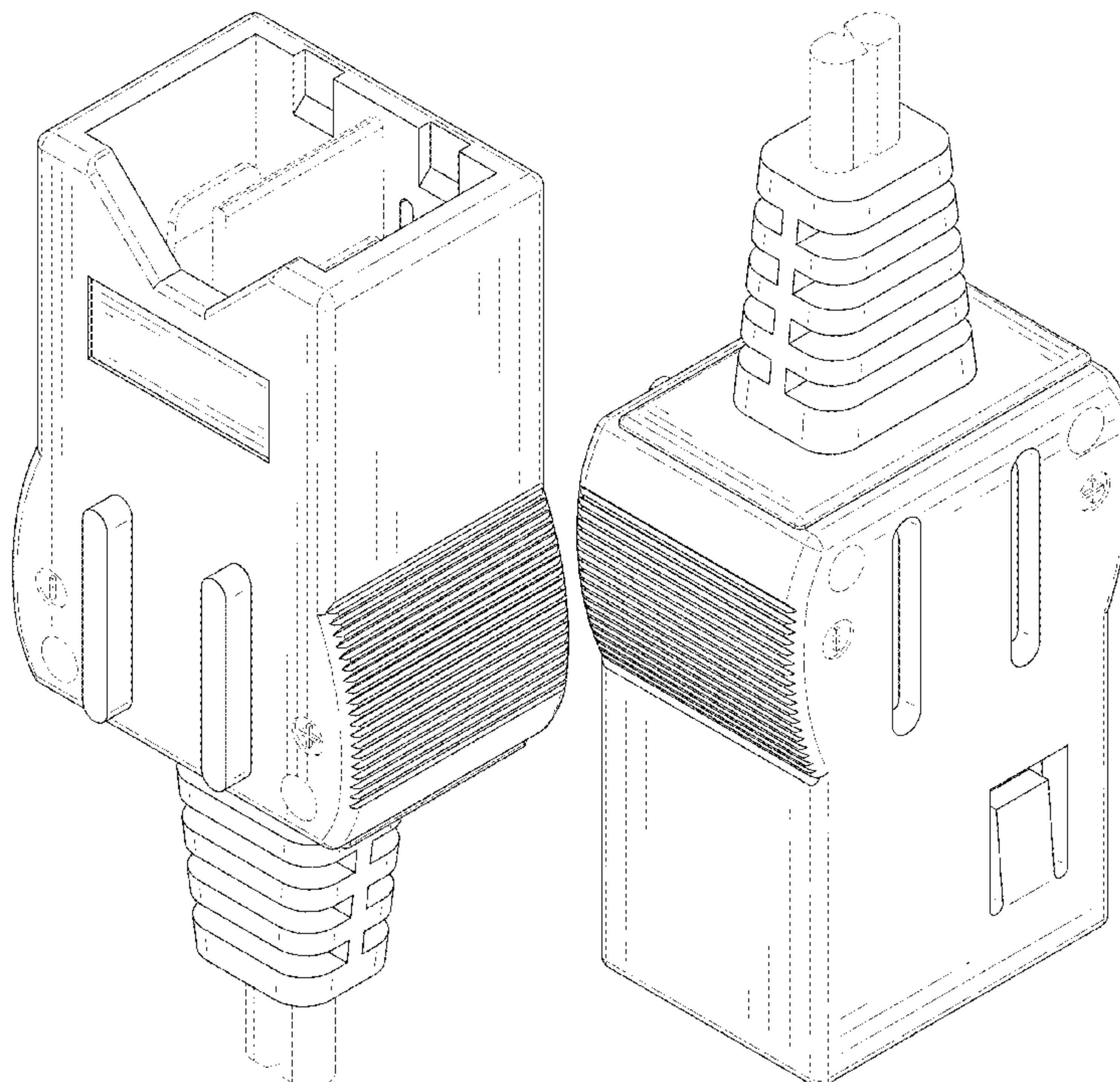
(57) **CLAIM**

The ornamental design for an electric cable socket, as shown and described.

**DESCRIPTION**

FIG. 1 is a front and top perspective view of an electric cable socket, showing my new design;  
 FIG. 2 is a rear and bottom perspective view thereof;  
 FIG. 3 is a front elevational view thereof;  
 FIG. 4 is a rear elevational view thereof;  
 FIG. 5 is a left side elevational view thereof;  
 FIG. 6 is a right side elevational view thereof;  
 FIG. 7 is a top plan view thereof;  
 FIG. 8 is a bottom plan view thereof;  
 FIG. 9 is an enlarged view of a portion indicated in FIG. 7; and,  
 FIG. 10 is an enlarged view of a portion indicated in FIG. 8.  
 The broken lines in the figures illustrate portions of the electric cable socket that form no part of the claimed design.

**1 Claim, 10 Drawing Sheets**



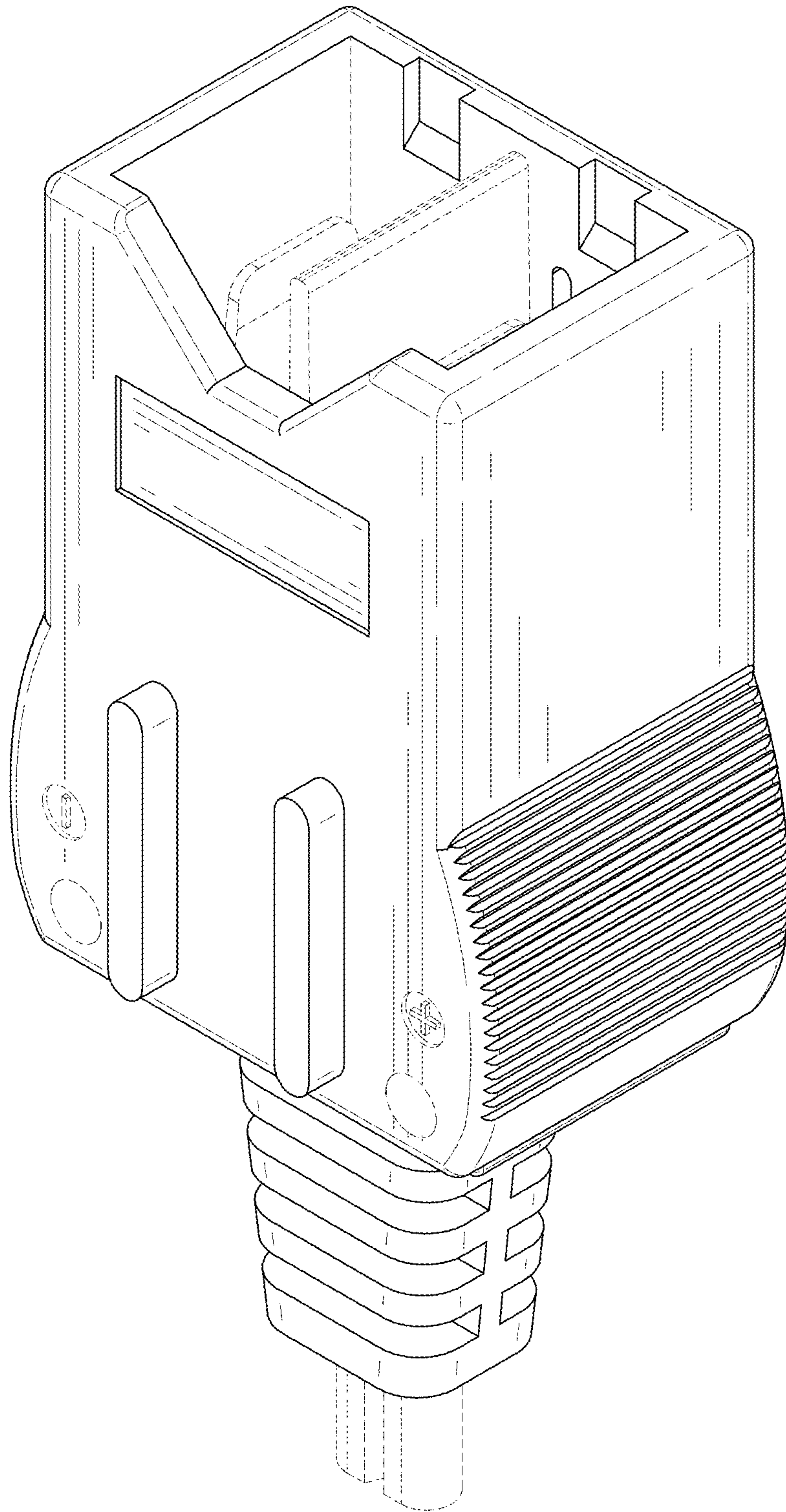


FIG. 1



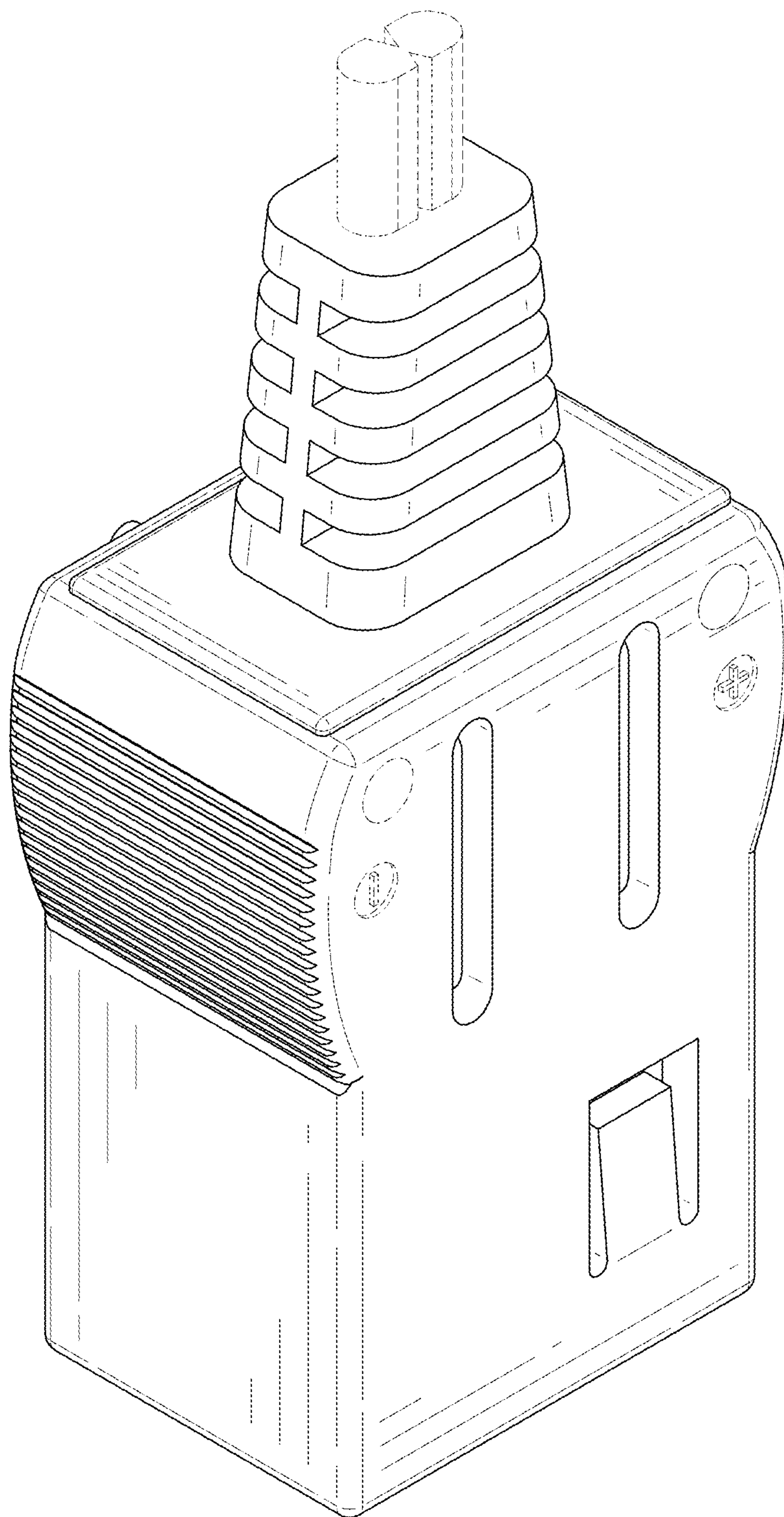


FIG. 2

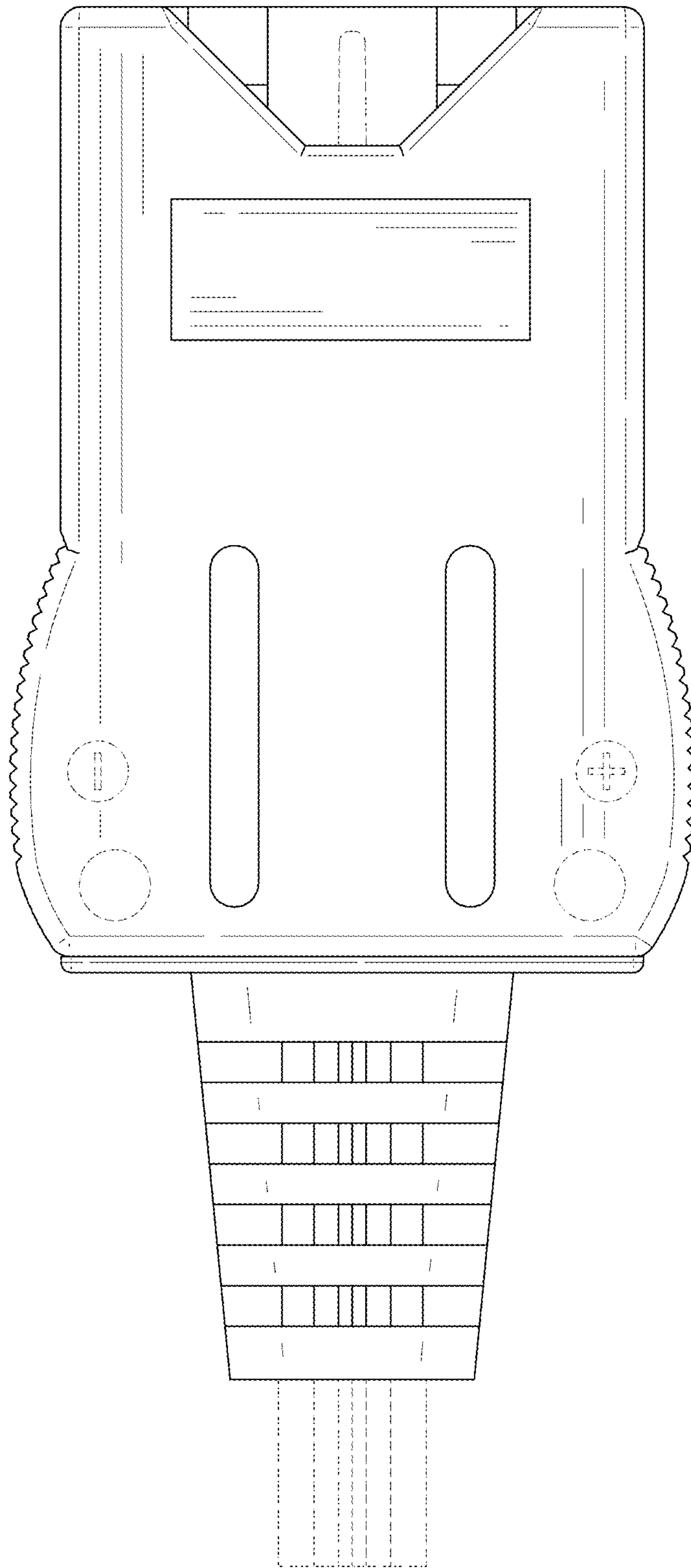


FIG. 3

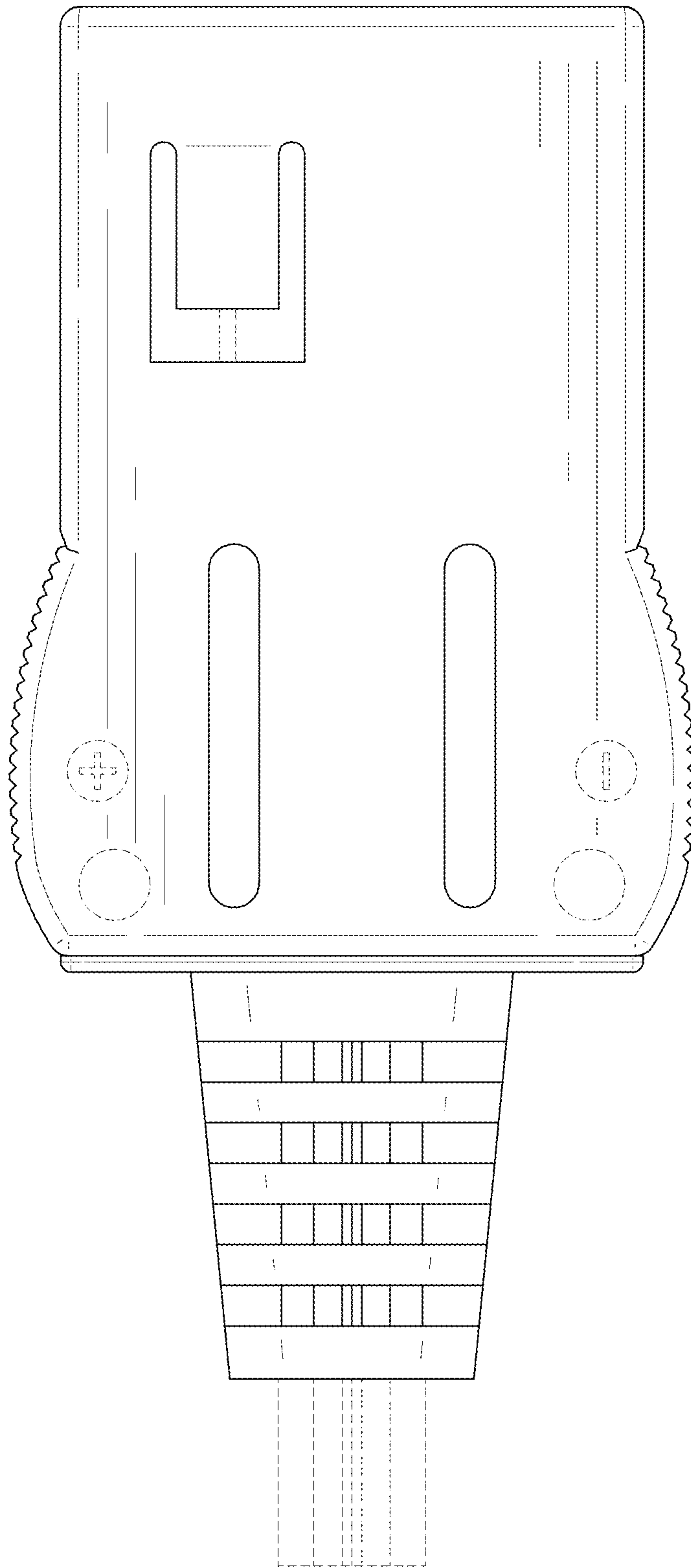


FIG. 4

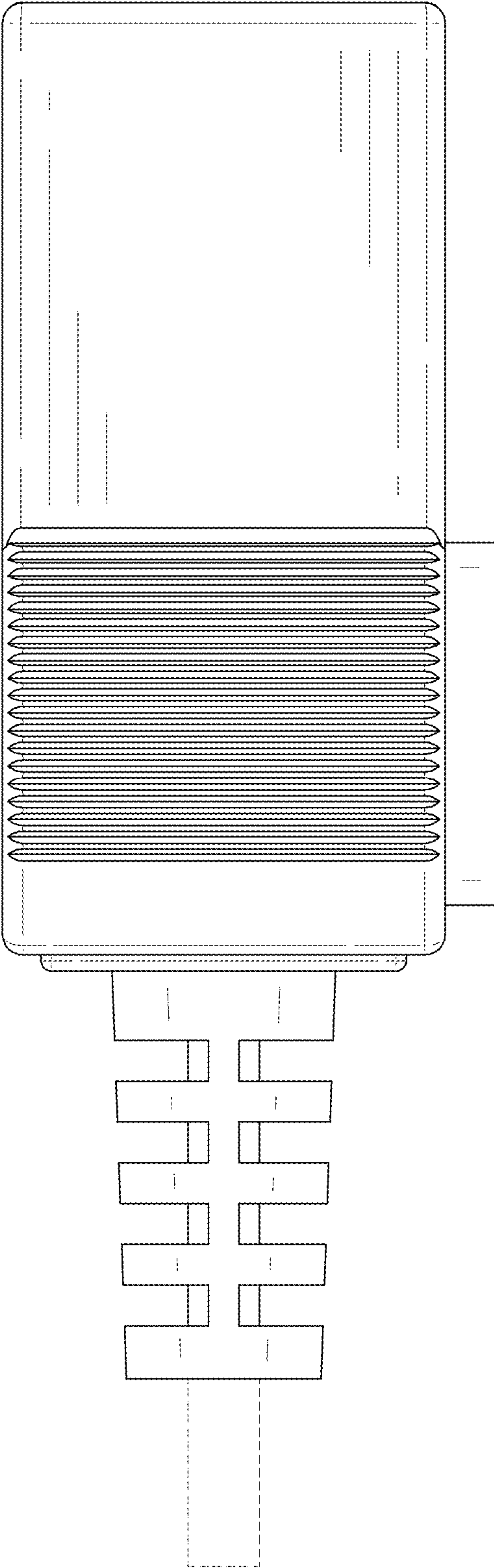


FIG. 5

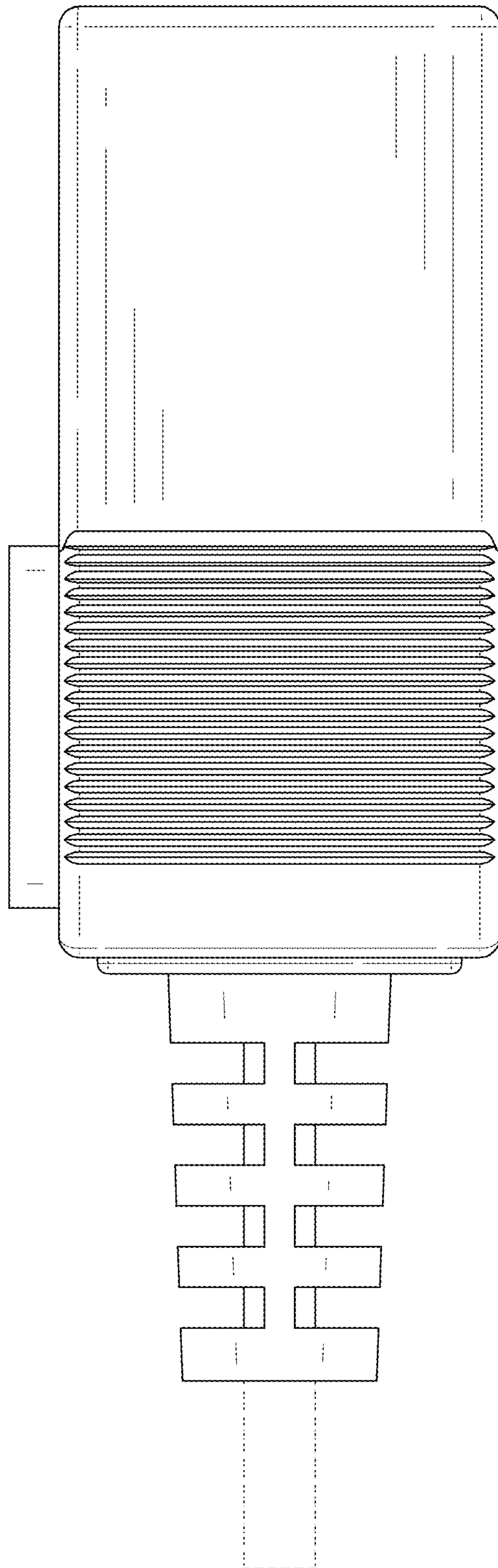


FIG. 6

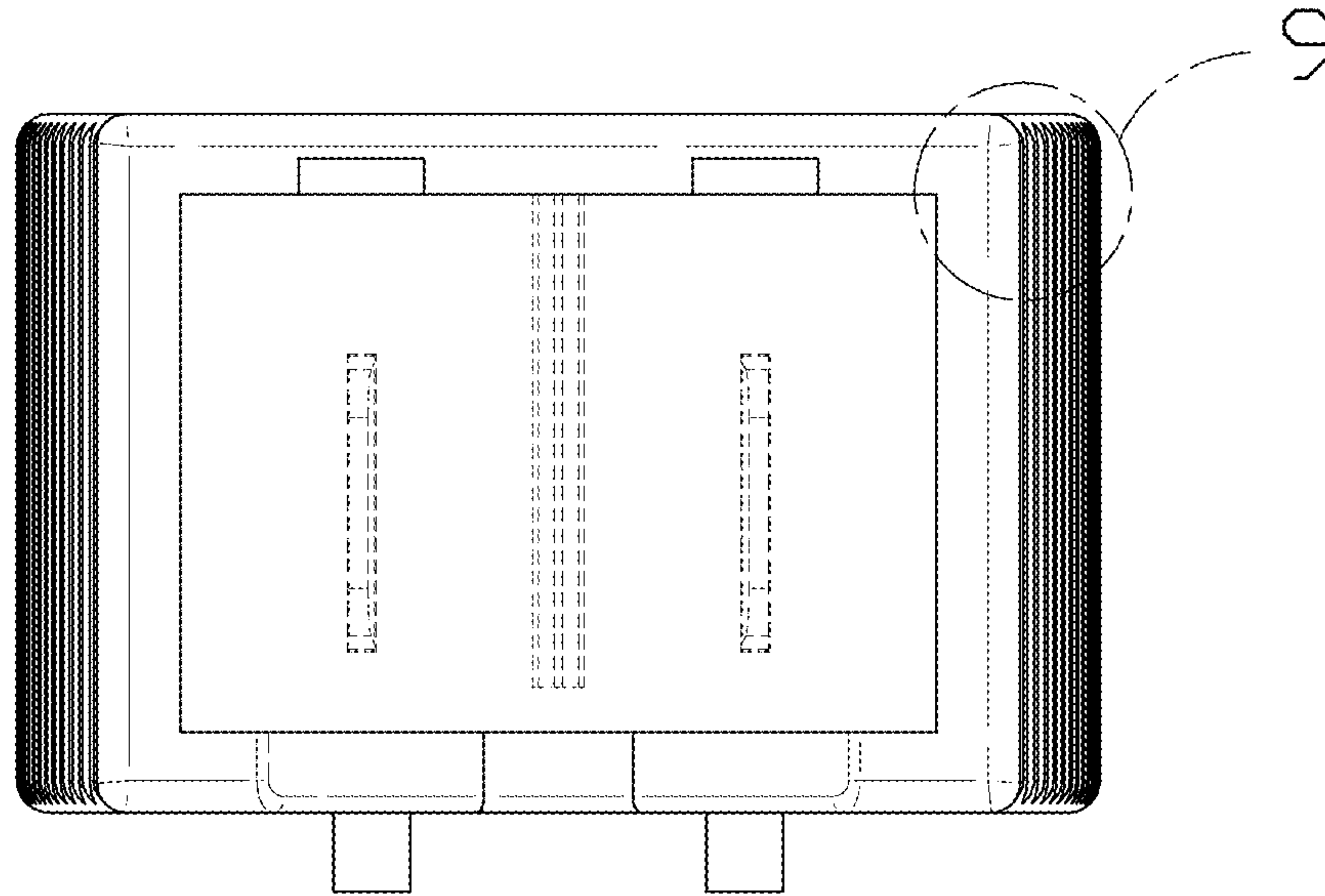


FIG. 7



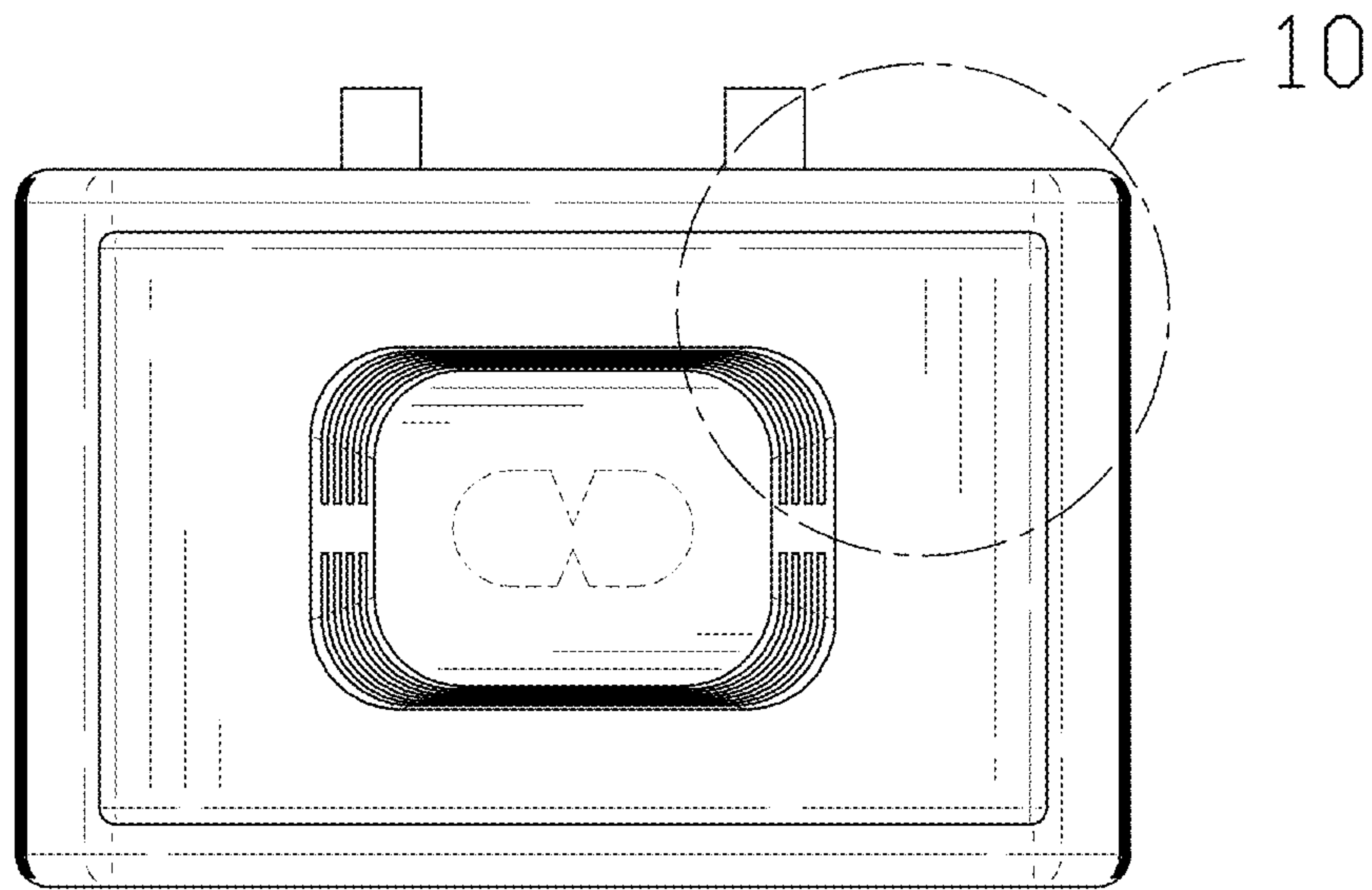


FIG. 8

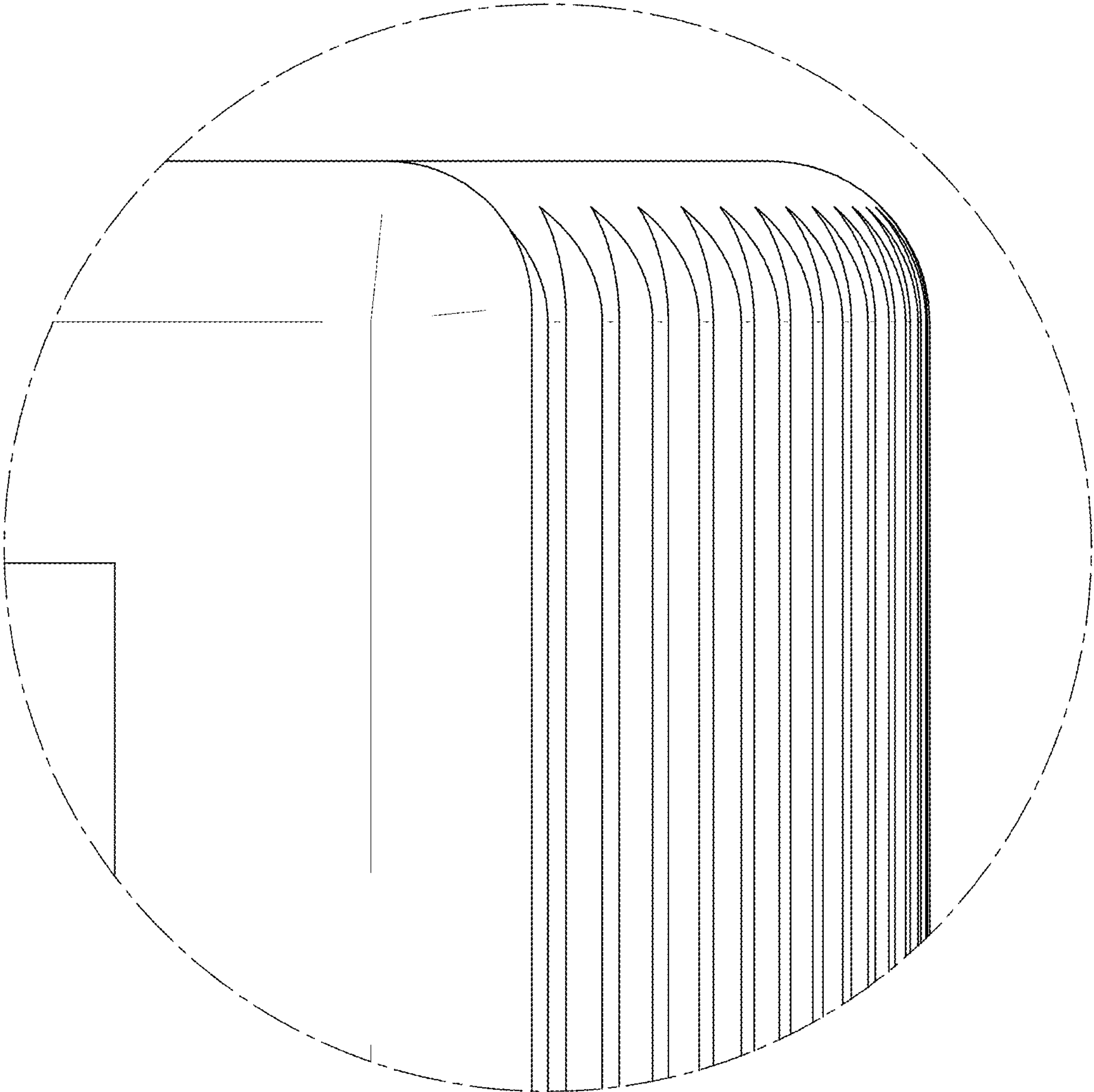


FIG. 9

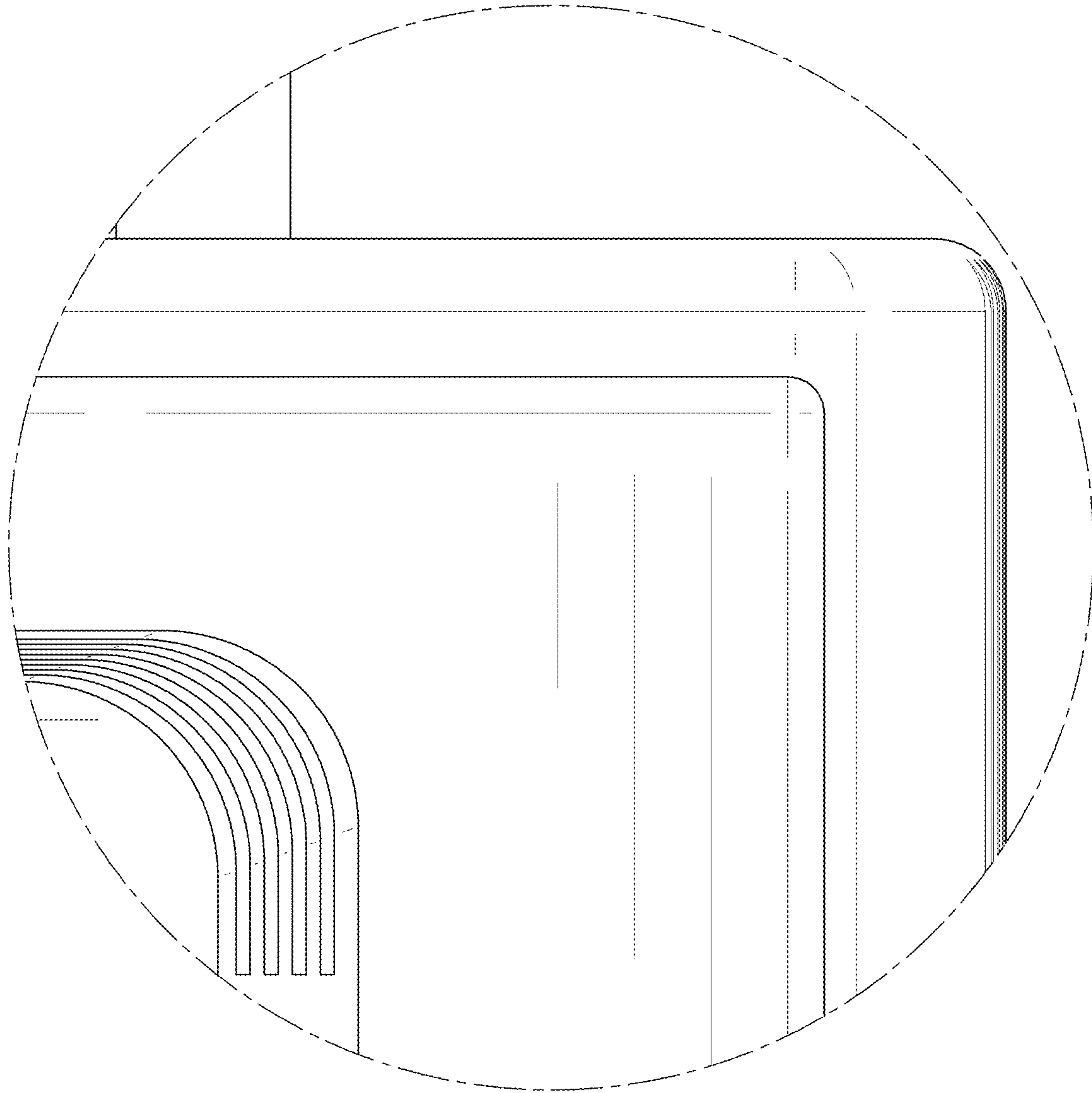


FIG. 10