



US00D879715S

(12) **United States Design Patent**  
**Brendel et al.**

(10) **Patent No.:** **US D879,715 S**  
(45) **Date of Patent:** **\*\* Mar. 31, 2020**

(54) **CONVERTER**

(71) Applicant: **Siemens Aktiengesellschaft**, München (DE)

(72) Inventors: **Bernd Brendel**, Hirschaid (DE);  
**Stephan Hühne**, Wilhermsdorf (DE);  
**Jörg Rast**, Eckental (DE); **Christoph Tomczak**, Erlangen (DE)

(73) Assignee: **Siemens Aktiengesellschaft**, München (DE)

(\*\*) Term: **15 Years**

(21) Appl. No.: **29/644,697**

(22) Filed: **Apr. 19, 2018**

(30) **Foreign Application Priority Data**

Oct. 20, 2017 (EM) ..... 004415263

(51) **LOC (12) Cl.** ..... **13-02**

(52) **U.S. Cl.**  
USPC ..... **D13/110**

(58) **Field of Classification Search**  
USPC ..... D13/103, 104, 107, 110, 119, 120, 133,  
D13/156

CPC ..... H01R 13/641; H01M 2/1022; H01M  
2/1027; H01M 2/1072; H01M 2/105;  
H01M 2/1077; H02B 1/20

See application file for complete search history.

(56) **References Cited**

**U.S. PATENT DOCUMENTS**

D657,739 S \* 4/2012 Miyawaki ..... D13/104  
D705,719 S \* 5/2014 Wong ..... D13/103  
D711,821 S \* 8/2014 Wang ..... D13/103  
D759,587 S \* 6/2016 Santos ..... D13/103

D762,565 S \* 8/2016 Akana ..... D13/103  
D775,073 S \* 12/2016 Oshiba ..... D13/119  
D812,000 S \* 3/2018 Li ..... D13/108  
D820,198 S \* 6/2018 Smith ..... D13/103  
D842,237 S \* 3/2019 Qiu ..... D13/103  
D844,560 S \* 4/2019 Miller ..... D13/108  
D852,742 S \* 7/2019 Li ..... D13/110  
2008/0050645 A1 \* 2/2008 Kai ..... H01M 2/1077  
429/61  
2009/0123821 A1 \* 5/2009 Kim ..... H01M 2/0404  
429/124  
2011/0070465 A1 \* 3/2011 Kim, II ..... H01M 10/42  
429/7  
2015/0207181 A1 \* 7/2015 Fink ..... H01M 2/043  
429/7  
2017/0264059 A1 \* 9/2017 Cote ..... H01R 25/006  
2019/0131678 A1 \* 5/2019 Kim ..... H01M 2/10  
2019/0189982 A1 \* 6/2019 Lee ..... H01M 2/1061  
2019/0198952 A1 \* 6/2019 Choi ..... H01M 10/6554

\* cited by examiner

*Primary Examiner* — Susan Bennett Hattan

*Assistant Examiner* — Suzanne E Tisdell

(74) *Attorney, Agent, or Firm* — Henry M. Feiereisen  
LLC

(57) **CLAIM**

The ornamental design for a converter, as shown and described.

**DESCRIPTION**

FIG. 1 is a front view of a converter, showing our new design;

FIG. 2 is a rear view thereof;

FIG. 3 is a top view thereof;

FIG. 4 is a bottom view thereof;

FIG. 5 is a right side view thereof;

FIG. 6 is a left side view thereof; and,

FIG. 7 is a top, front, and right side perspective view thereof.

**1 Claim, 7 Drawing Sheets**

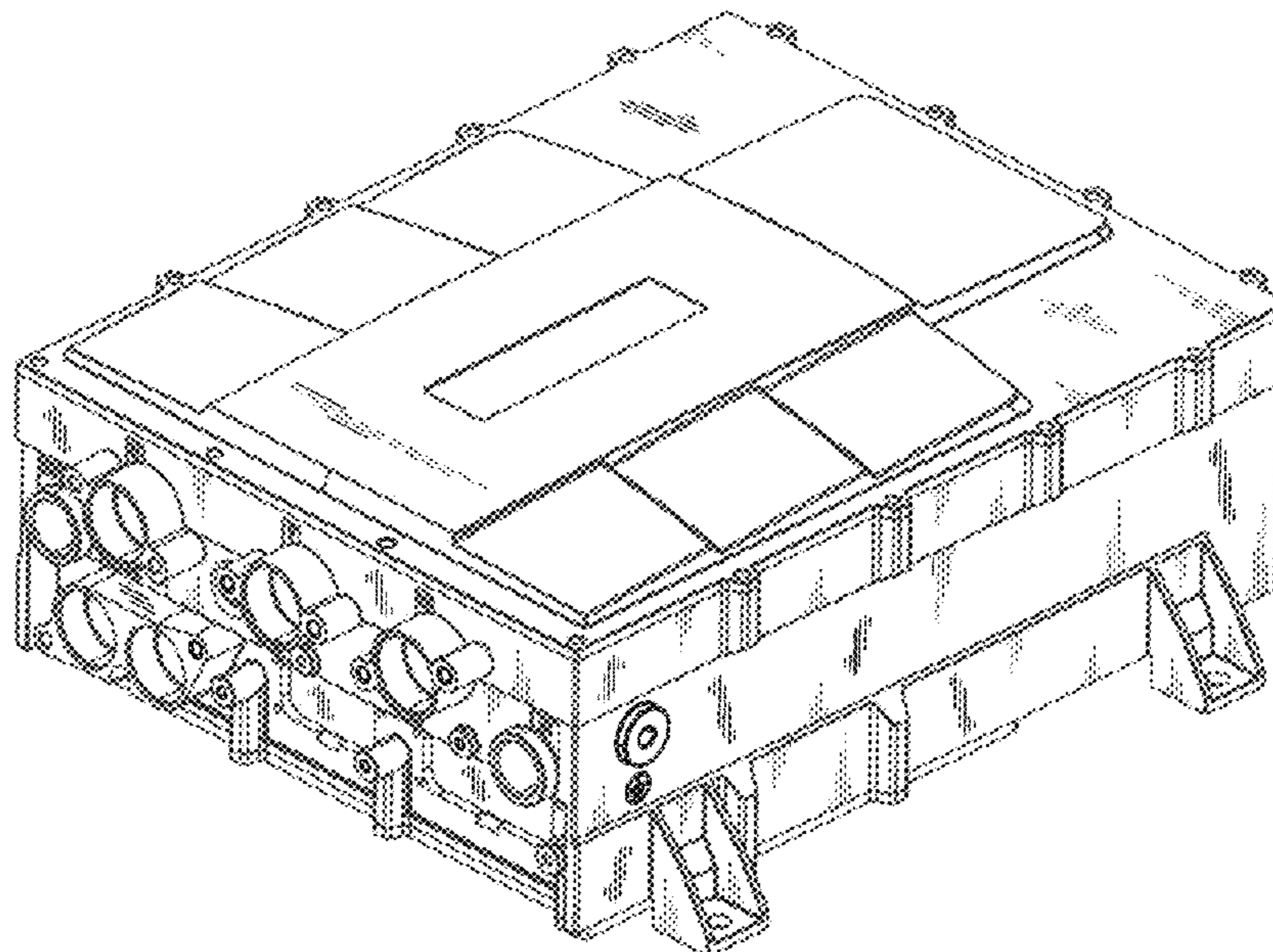


FIG. 1

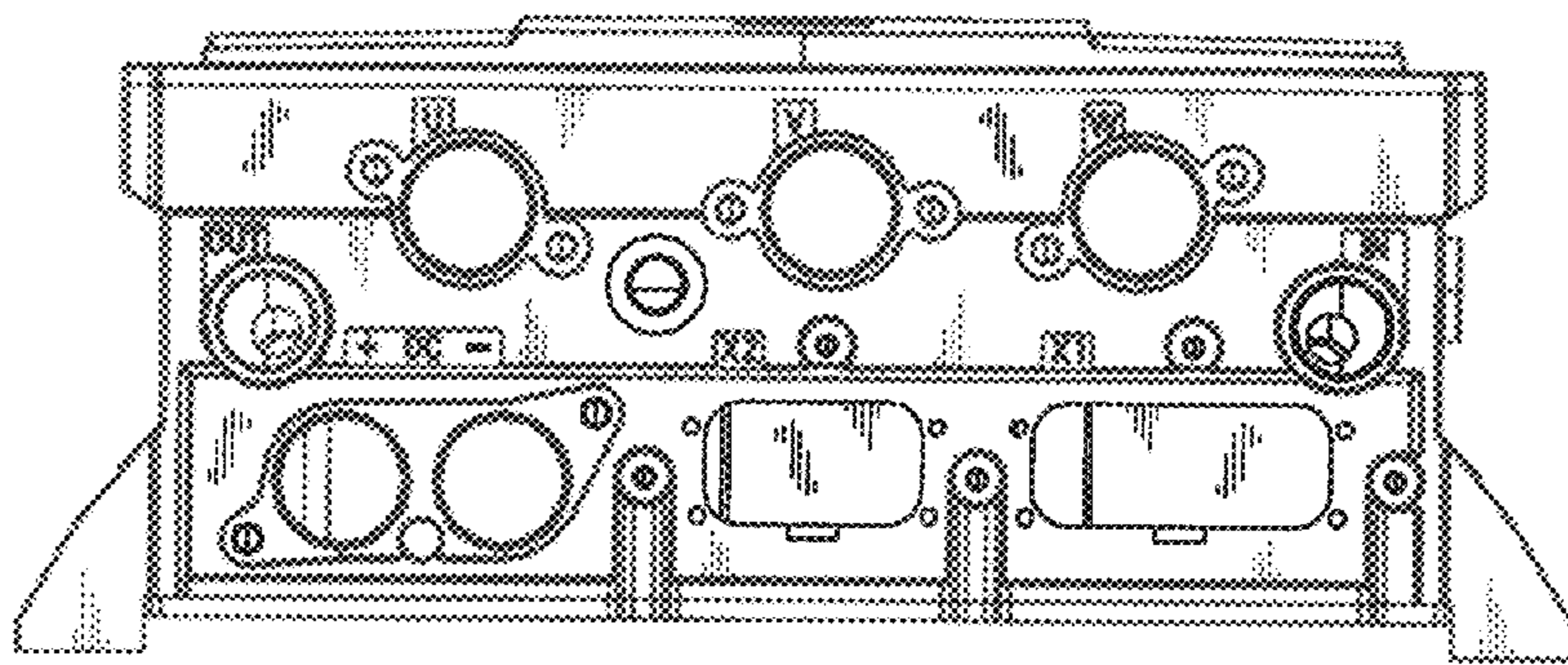


FIG. 2

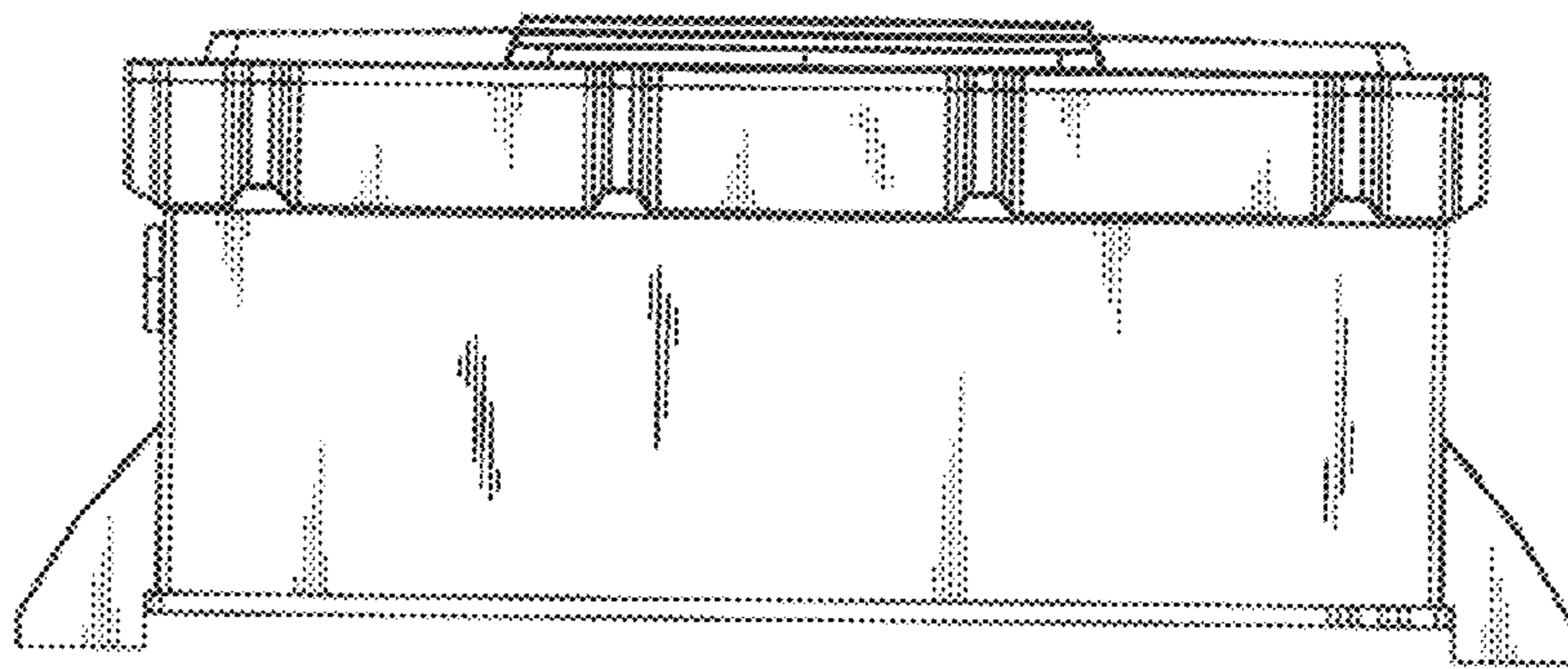


FIG. 3

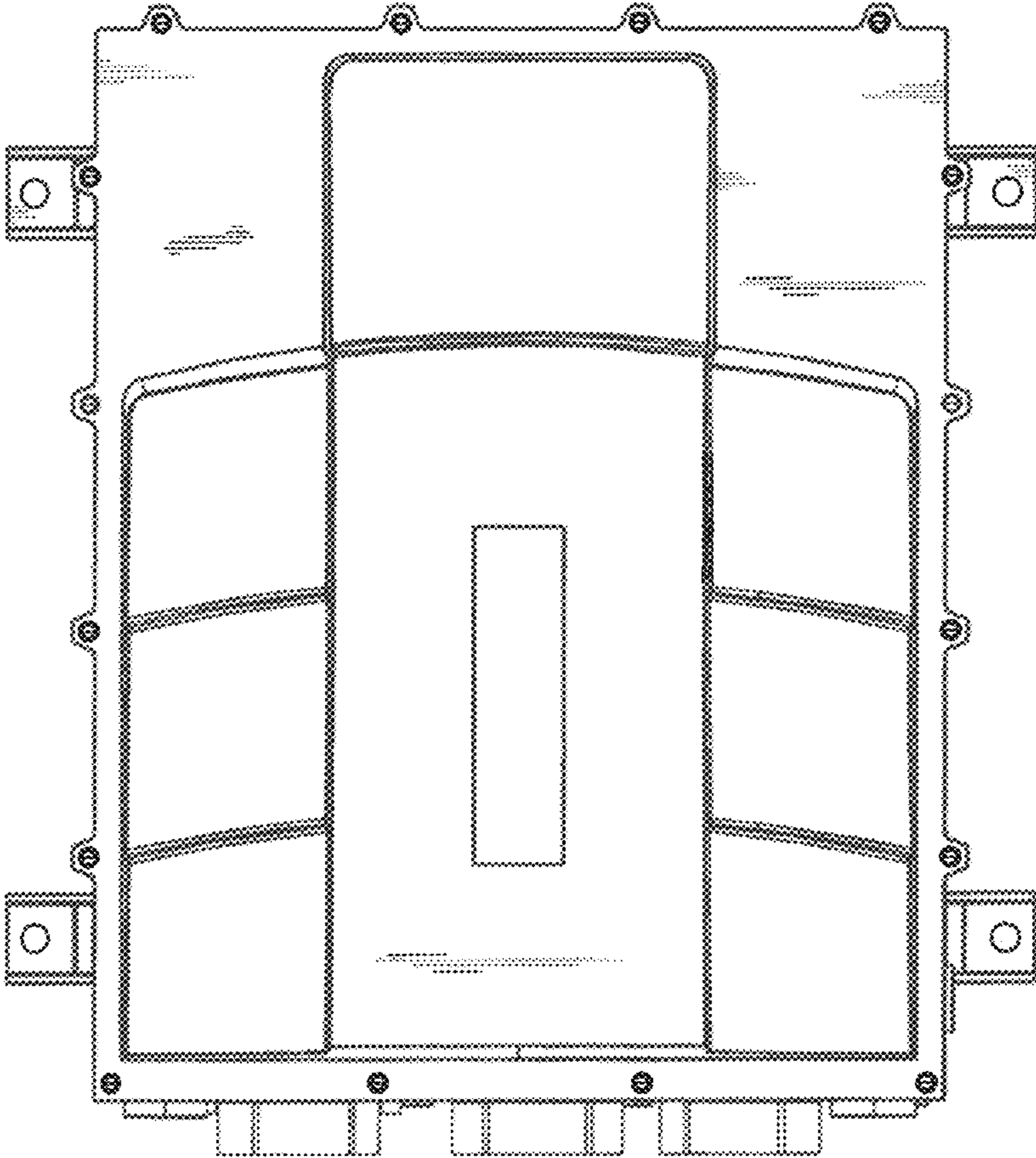


FIG. 4

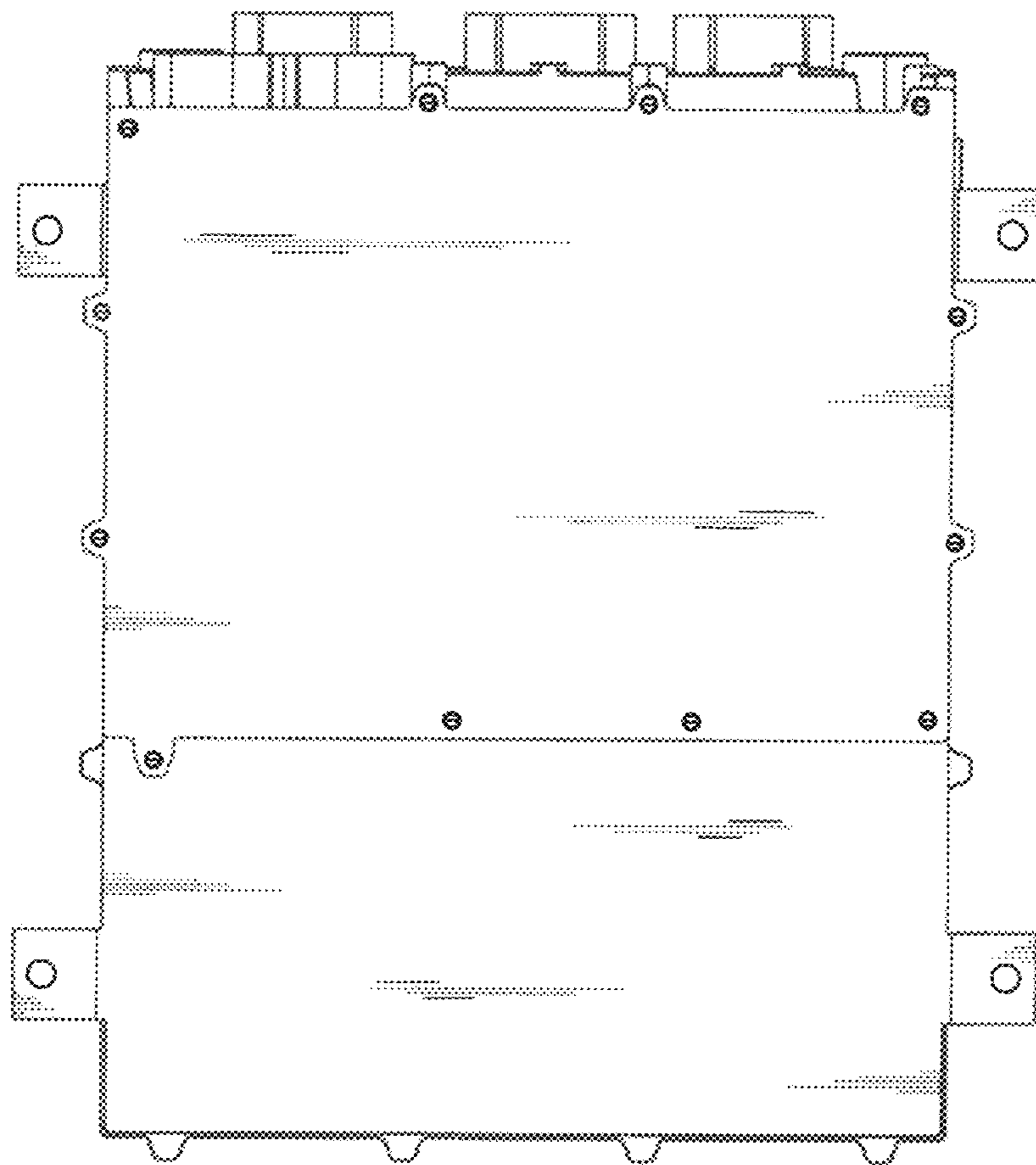


FIG. 5

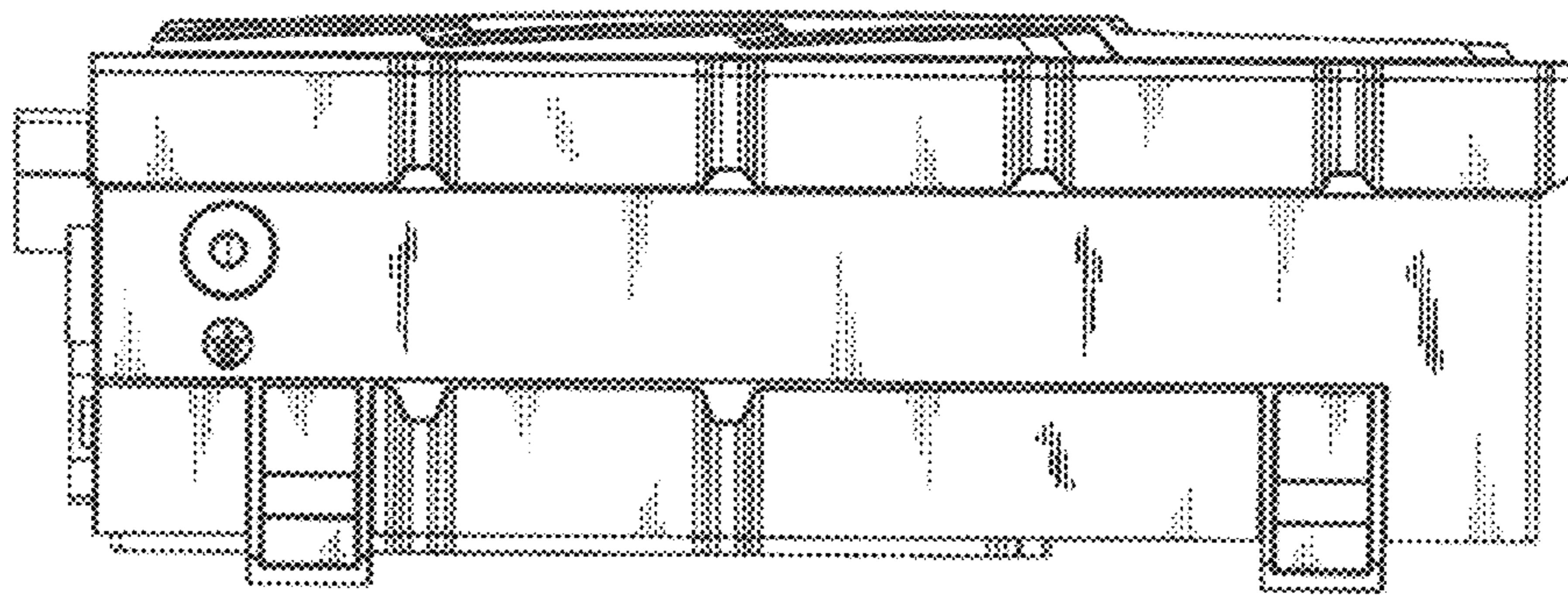


FIG. 6

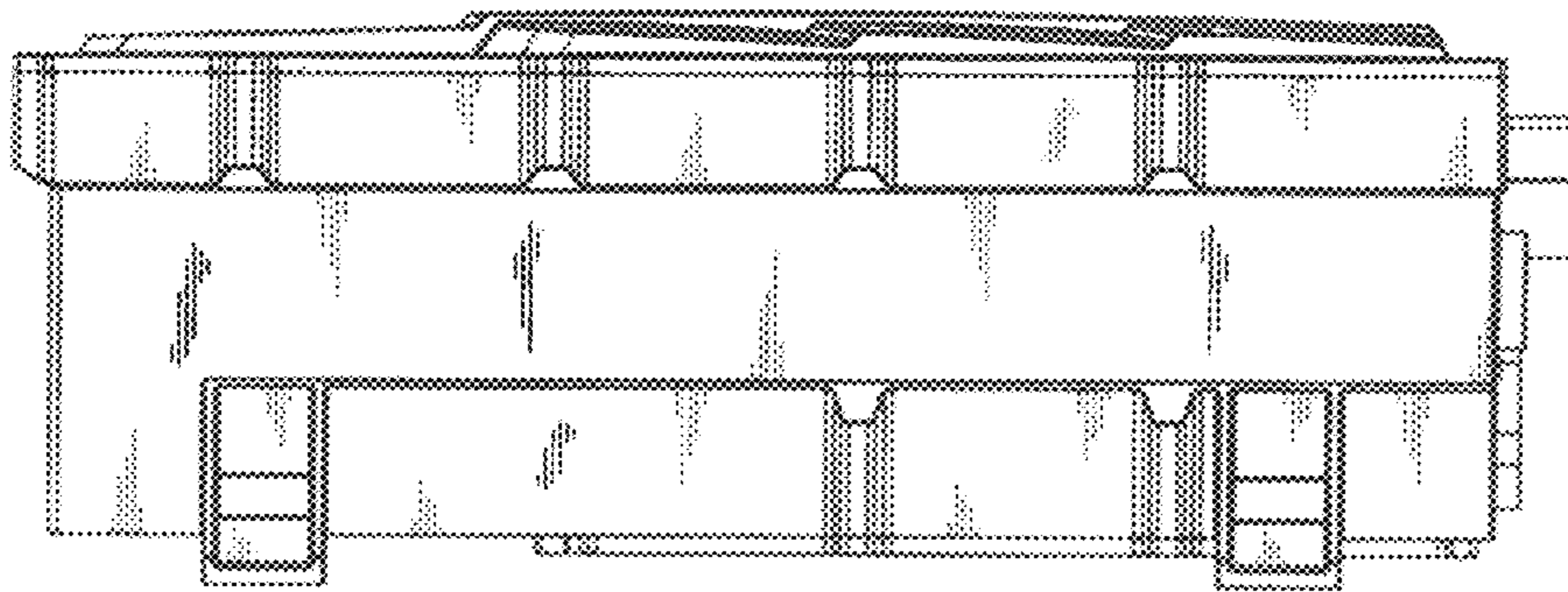


FIG. 7

