



US00D879714S

(12) **United States Design Patent** (10) **Patent No.:** **US D879,714 S**  
**Zhang et al.** (45) **Date of Patent:** **\*\* Mar. 31, 2020**

(54) **ADAPTER**  
(71) Applicant: **Cheng Uei Precision Industry Co., Ltd.**, New Taipei (TW)  
(72) Inventors: **Ji-Chang Zhang**, Dong-Guan (CN); **Xiao-Kang Yang**, Dong-Guan (CN); **Yuan-Yu Hwang**, New Taipei (TW)  
(73) Assignee: **CHENG UEI PRECISION INDUSTRY CO., LTD.**, New Taipei (TW)  
(\*\*) Term: **15 Years**  
(21) Appl. No.: **29/635,852**  
(22) Filed: **Feb. 2, 2018**  
(51) **LOC (12) Cl.** ..... **13-02**  
(52) **U.S. Cl.**  
USPC ..... **D13/110**  
(58) **Field of Classification Search**  
USPC ..... D13/103, 104, 107, 110, 112, 119, 120, D13/133, 156  
CPC ..... H01R 13/641; H01M 2/1022; H01M 2/1027; H01M 2/1072; H01M 2/105; H01M 2/1077; H02B 1/20  
See application file for complete search history.

(56) **References Cited**  
U.S. PATENT DOCUMENTS  
D657,739 S \* 4/2012 Miyawaki ..... D13/104  
D705,719 S \* 5/2014 Wong ..... D13/103  
D711,821 S \* 8/2014 Wang ..... D13/103  
D759,587 S \* 6/2016 Santos ..... D13/103  
D762,565 S \* 8/2016 Akana ..... D13/103  
D775,073 S \* 12/2016 Oshiba ..... D13/119  
D812,000 S \* 3/2018 Li ..... D13/108  
D820,198 S \* 6/2018 Smith ..... D13/103

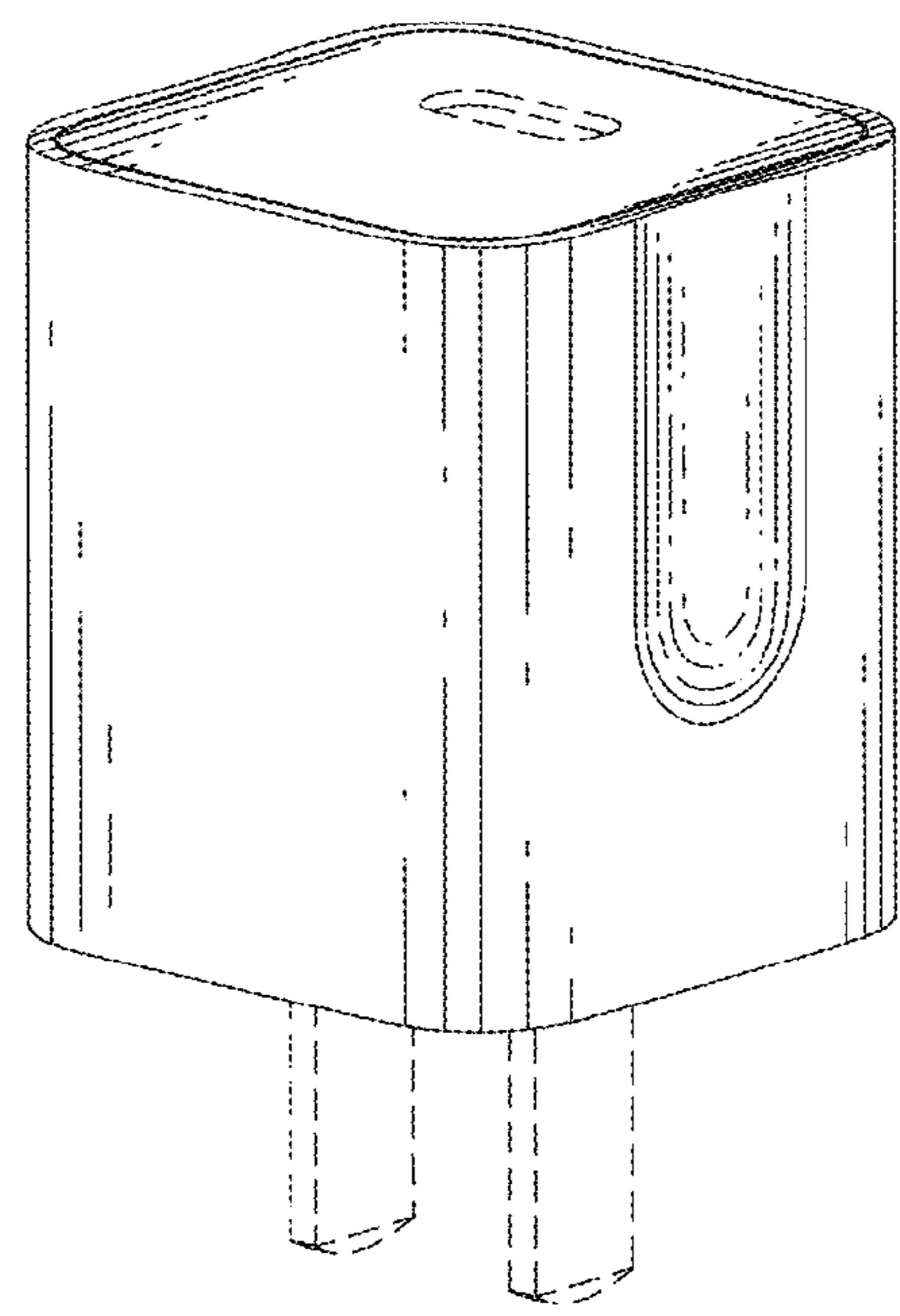
D842,237 S \* 3/2019 Qiu ..... D13/103  
D844,560 S \* 4/2019 Miller ..... D13/108  
D852,742 S \* 7/2019 Li ..... D13/110  
2008/0050645 A1 \* 2/2008 Kai ..... H01M 2/1077  
429/61  
2009/0123821 A1 \* 5/2009 Kim ..... H01M 2/0404  
429/124  
2011/0070465 A1 \* 3/2011 Kim, II ..... H01M 10/42  
429/7  
2015/0207181 A1 \* 7/2015 Fink ..... H01M 2/043  
429/7  
2017/0264059 A1 \* 9/2017 Cote ..... H01R 13/506  
2019/0131678 A1 \* 5/2019 Kim ..... H01M 2/10  
2019/0189982 A1 \* 6/2019 Lee ..... H01M 10/0472  
2019/0198952 A1 \* 6/2019 Choi ..... H01M 10/6554

\* cited by examiner  
*Primary Examiner* — Susan Bennett Hattan  
*Assistant Examiner* — Suzanne E Tisdell  
(74) *Attorney, Agent, or Firm* — Cheng-Ju Chiang

(57) **CLAIM**  
The ornamental design for an adapter, as shown and described.

**DESCRIPTION**  
FIG. 1 is a perspective view of an adapter showing our new design;  
FIG. 2 is a front elevational view thereof;  
FIG. 3 is a rear elevational view thereof;  
FIG. 4 is a left side elevational view thereof;  
FIG. 5 is a right side elevational view thereof;  
FIG. 6 is a top plan view thereof; and,  
FIG. 7 is a bottom plan view thereof.  
The broken line portion of the figure drawings is included to show unclaimed subject matter only and forms no part of the claimed design.

**1 Claim, 7 Drawing Sheets**



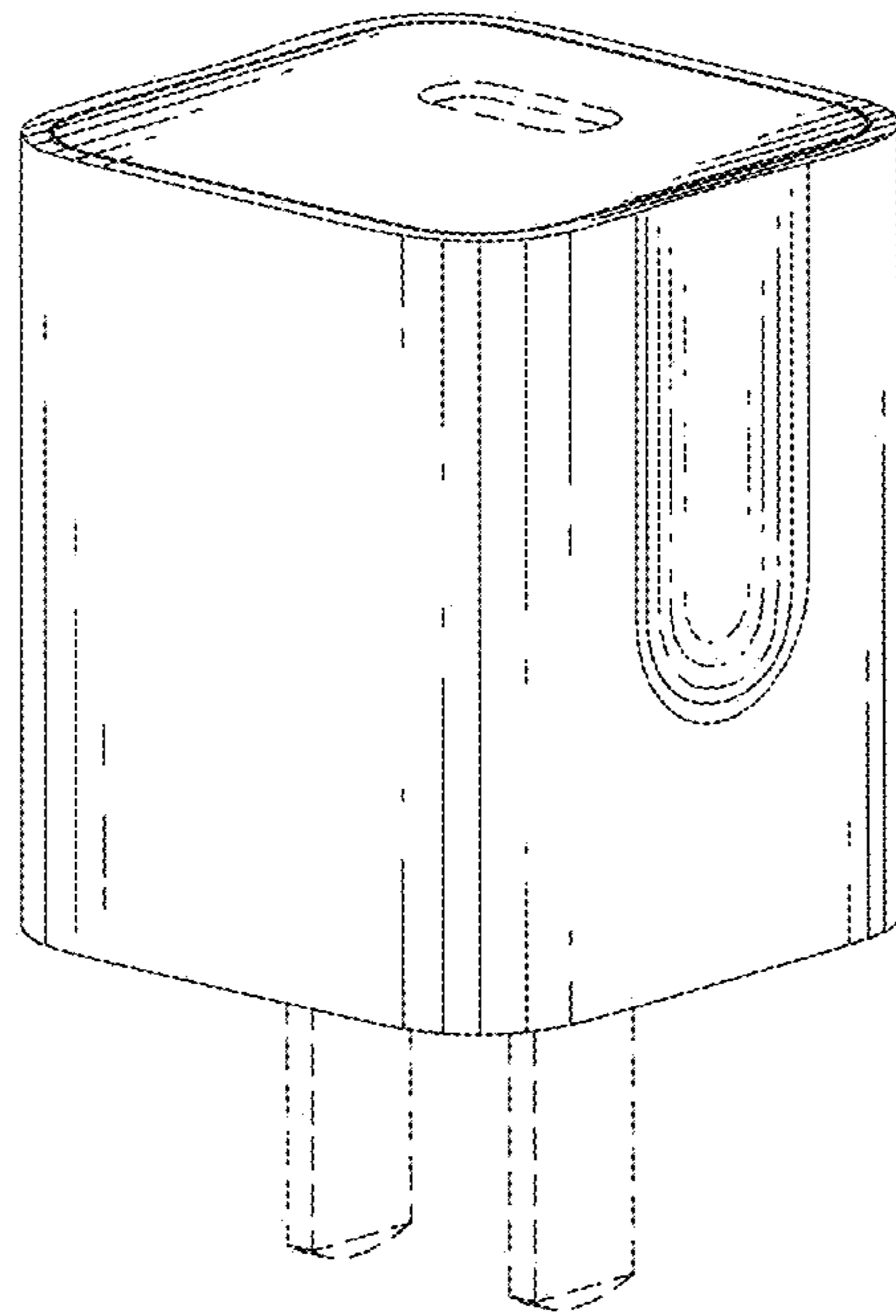


FIG. 1

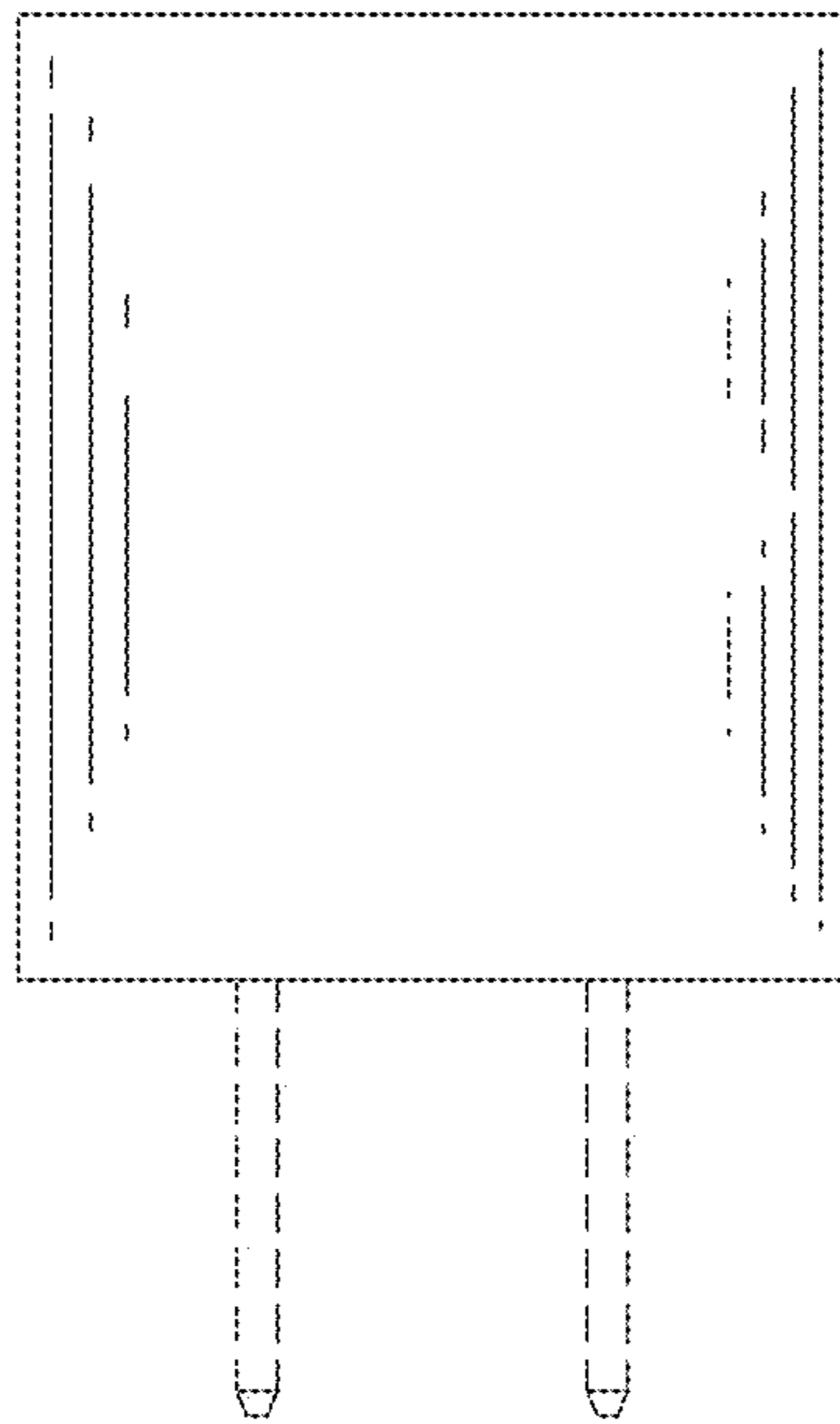


FIG. 2

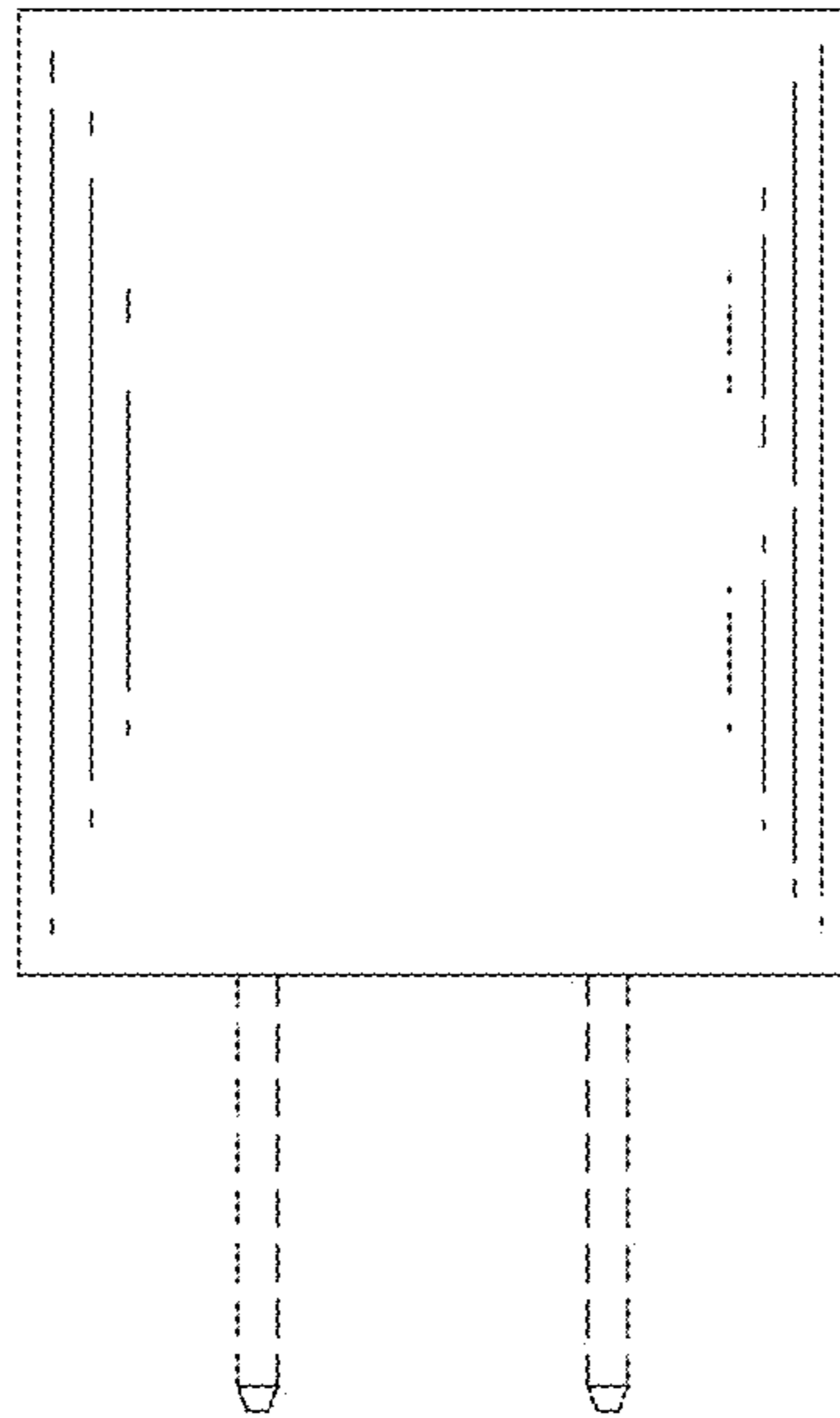


FIG. 3

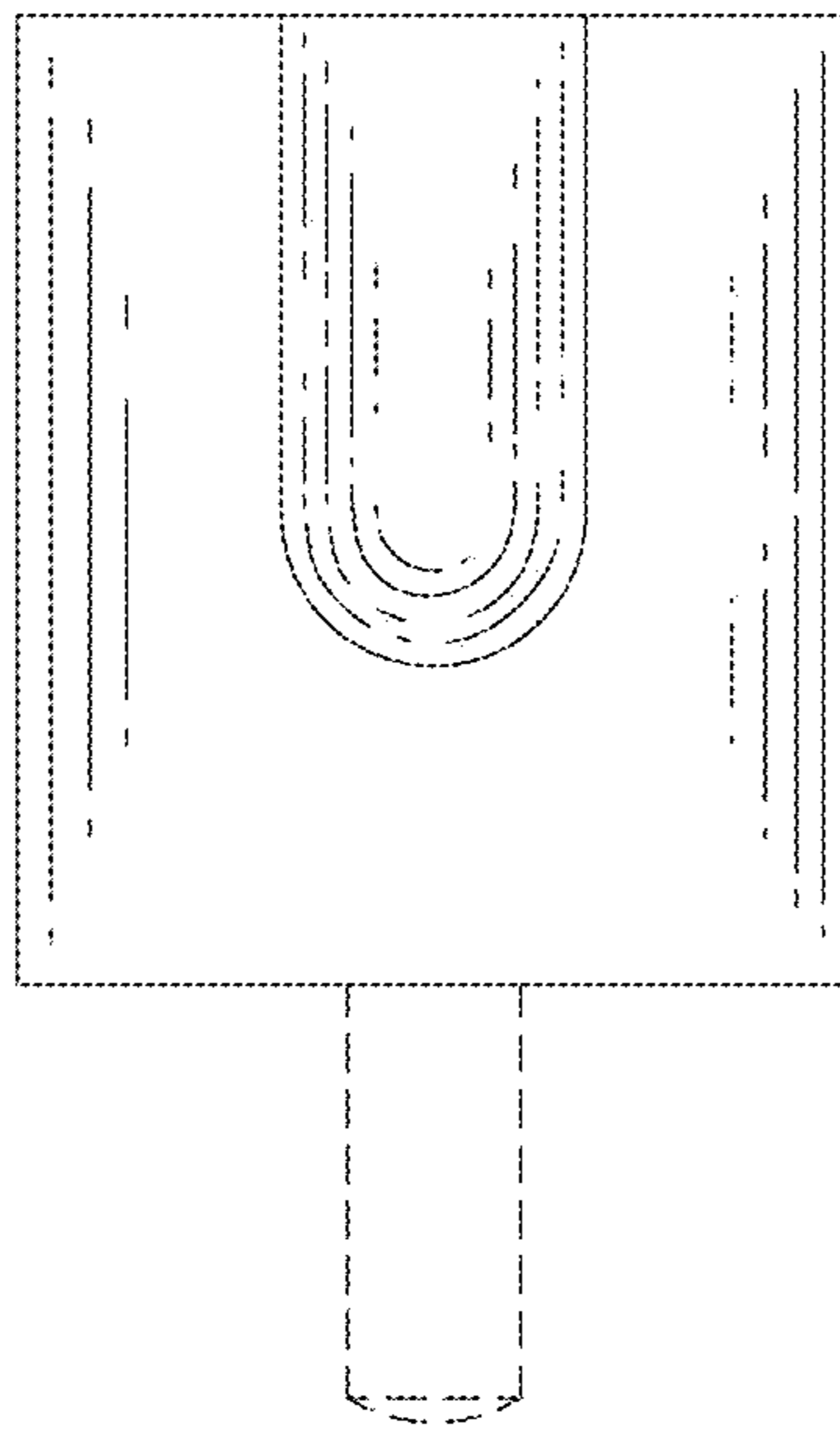


FIG. 4

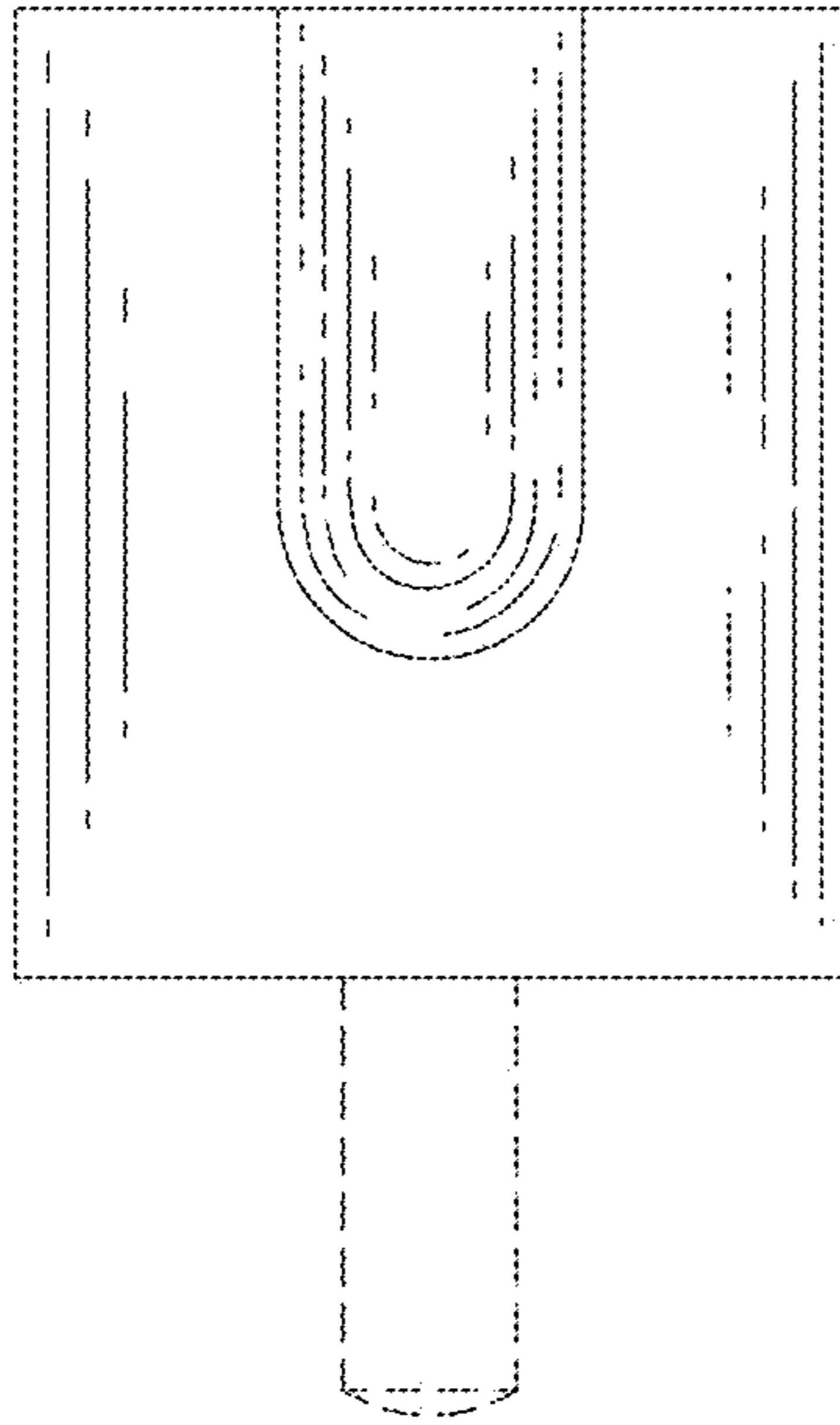


FIG. 5

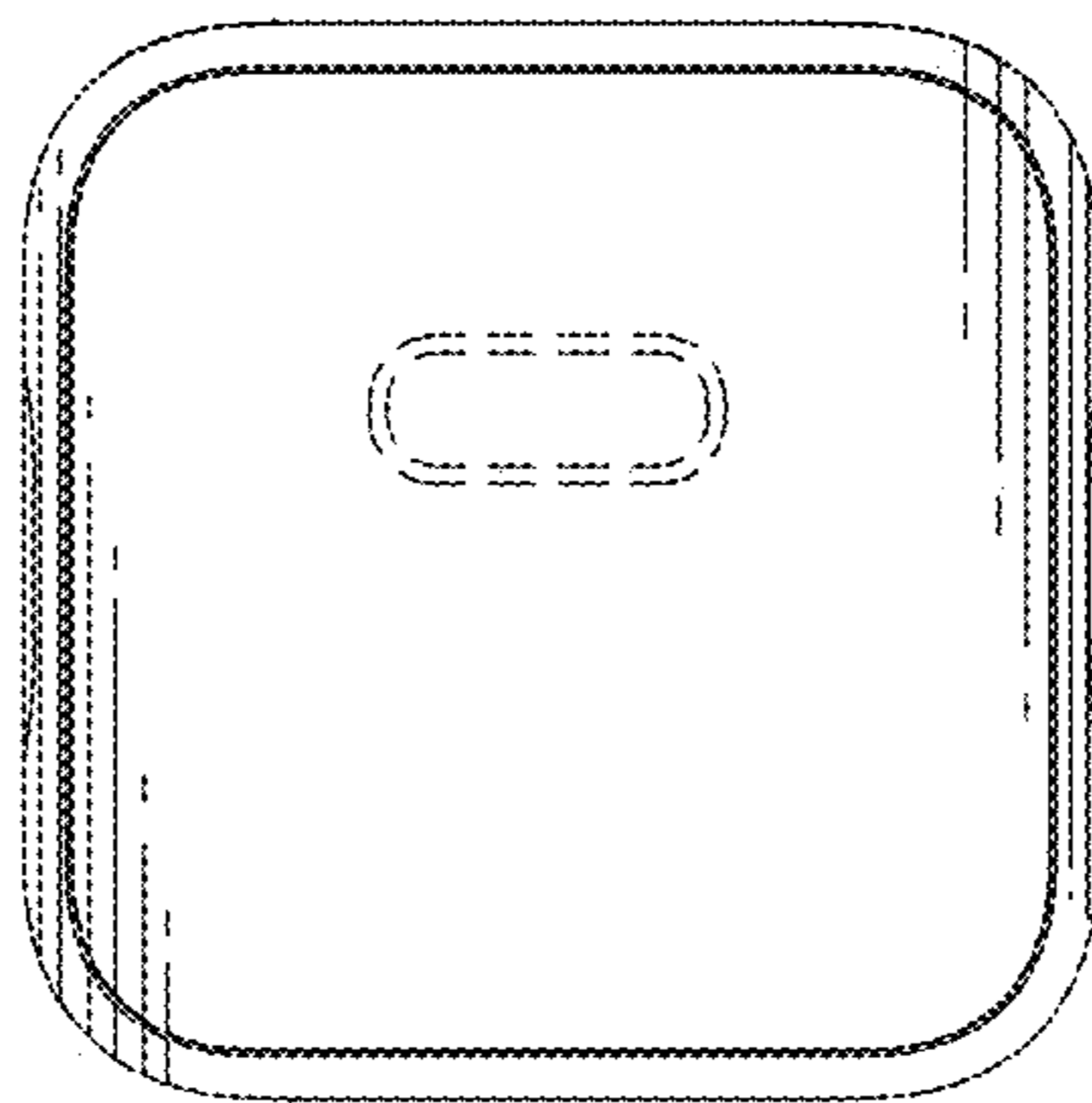


FIG. 6

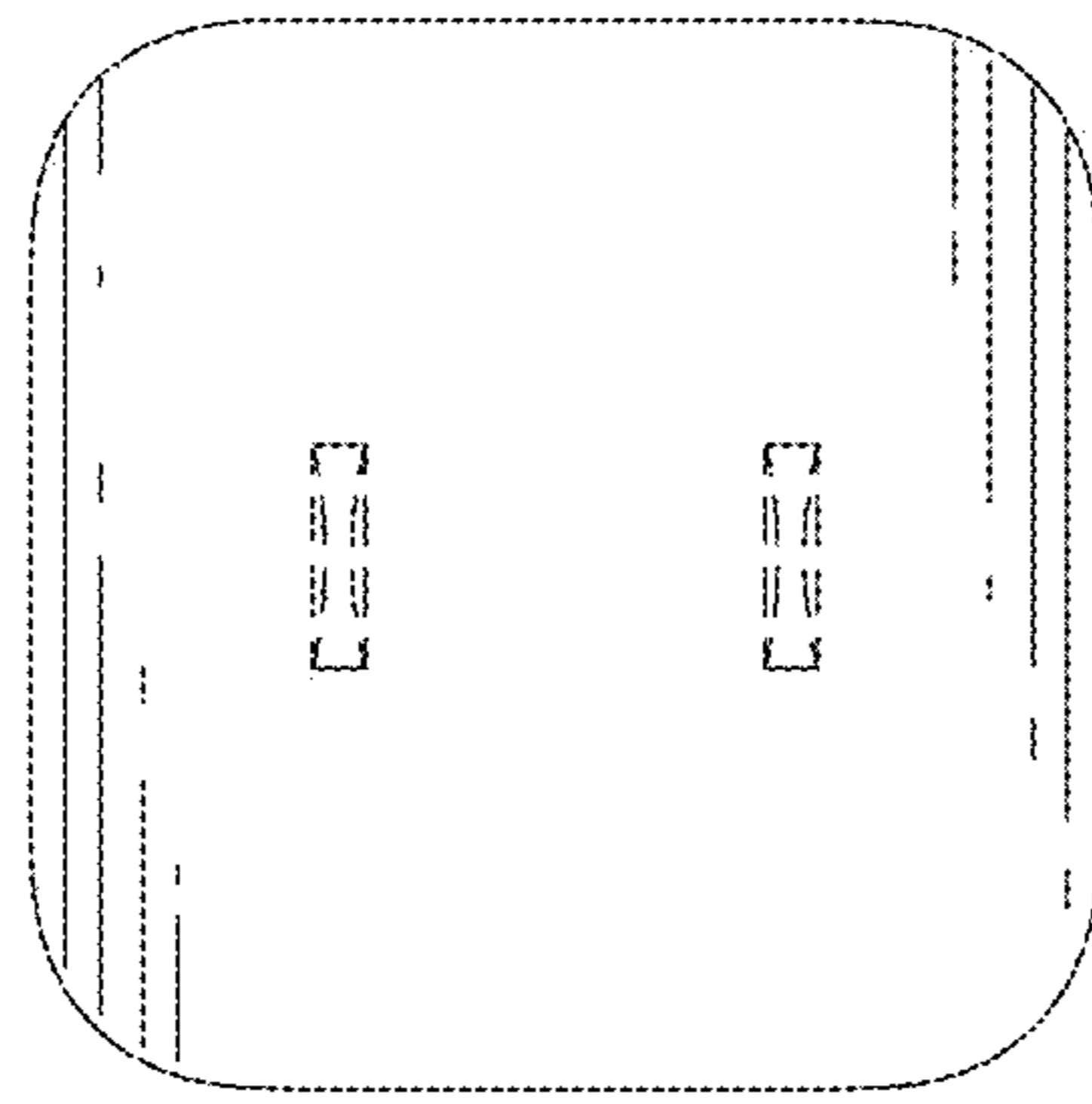


FIG. 7