



US00D879711S

(12) **United States Design Patent**
Ruiwu

(10) **Patent No.:** **US D879,711 S**

(45) **Date of Patent:** **** Mar. 31, 2020**

(54) **USB PLUG**

(71) Applicant: **Huang Ruiwu**, Shenzhen (CN)

(72) Inventor: **Huang Ruiwu**, Shenzhen (CN)

(**) Term: **15 Years**

(21) Appl. No.: **29/710,242**

(22) Filed: **Oct. 22, 2019**

(51) **LOC (12) Cl.** **13-02**

(52) **U.S. Cl.**
USPC **D13/108**

(58) **Field of Classification Search**
USPC D13/103, 107-108, 110, 118, 184, 199,
D13/137.1-137.3, 138.1, 138.2
CPC H02J 7/02; H02J 7/0013; H02J 7/0021;
H02J 7/0022; H02J 7/0026; H02J 7/0027;
H02J 7/0042; H02J 7/0044; H02J 7/0045;
H02J 7/0003; H01M 10/44; H01M
10/441; H01R 13/648; H01R 13/652;
H01R 13/6675

See application file for complete search history.

D692,825 S *	11/2013	Izen	D13/108
D693,764 S *	11/2013	Hok Man	D13/108
D702,631 S *	4/2014	Esses	D13/108
D704,630 S *	5/2014	Liu	D13/108
D719,092 S *	12/2014	Huang	D13/110
D729,160 S *	5/2015	Levy	D13/110
D730,823 S	6/2015	Leung		
D732,472 S *	6/2015	Laffon	D13/110
D734,259 S *	7/2015	Cepress	D13/110
D734,260 S *	7/2015	Cepress	D13/110
D735,130 S *	7/2015	Huang	D13/108
D740,751 S *	10/2015	Akana	D13/110
D742,309 S *	11/2015	Sumida	D13/108
D762,172 S	7/2016	Pignotti		
D804,412 S *	12/2017	Huang	D13/108
D808,903 S *	1/2018	Koenig	D13/110
D841,582 S *	2/2019	Tian	D13/108
D867,287 S *	11/2019	Akana	D13/110
D875,040 S *	2/2020	Stern	D13/108

(Continued)

Primary Examiner — Rosemary K Tarcza

(74) *Attorney, Agent, or Firm* — Wayne V. Harper

(57) **CLAIM**

I claim the ornamental design for a USB plug, as shown and described.

(56) **References Cited**

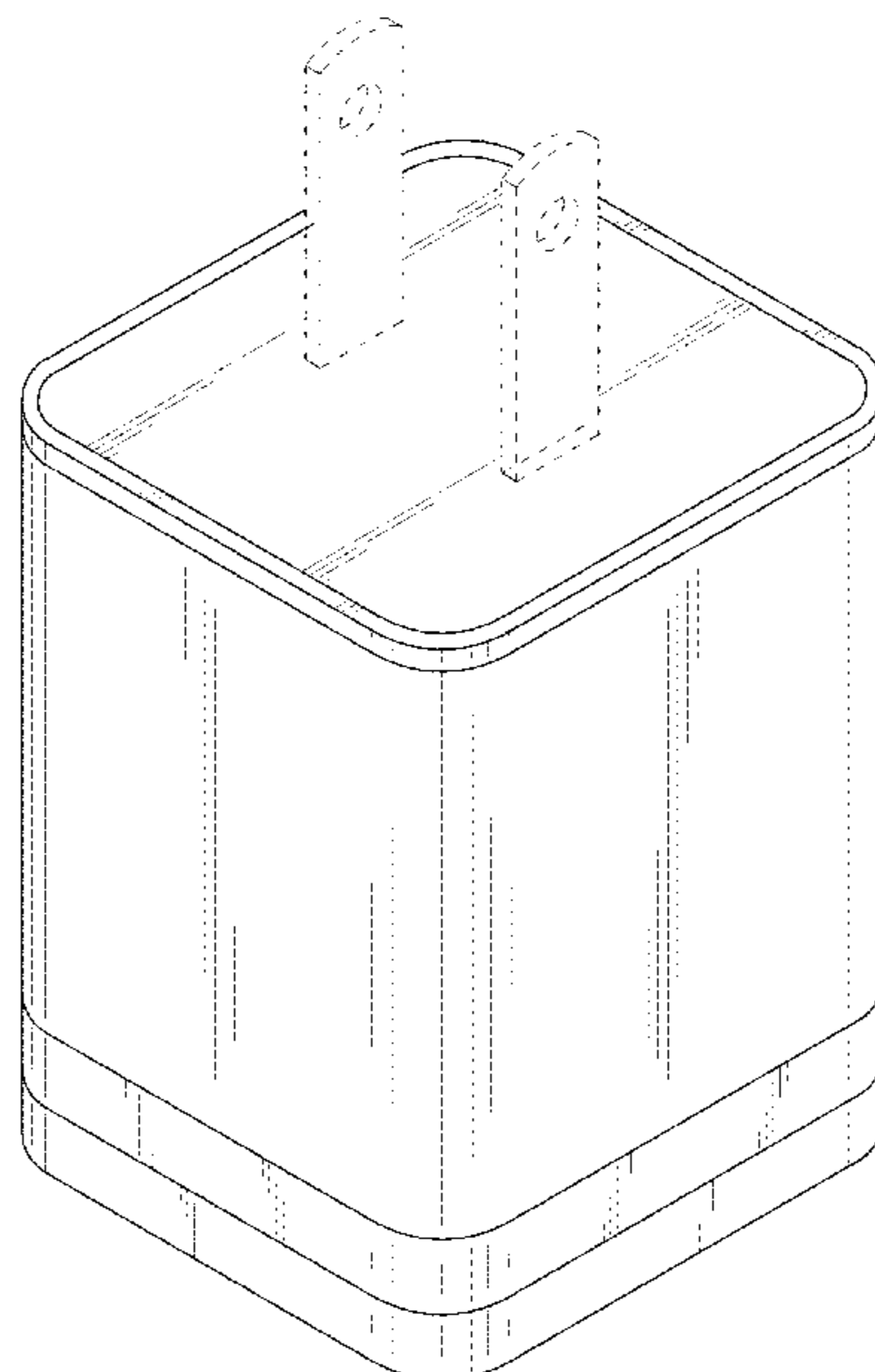
U.S. PATENT DOCUMENTS

D589,887 S	4/2009	Lin et al.		
D611,415 S *	3/2010	Andre	D13/108
D623,136 S *	9/2010	Andre	D13/108
D627,729 S *	11/2010	Smith	D13/108
D628,151 S	11/2010	Wegener et al.		
D638,357 S *	5/2011	Sasada	D13/110
D642,524 S *	8/2011	Fitch	D13/110
D653,208 S *	1/2012	Au	D13/108
D653,614 S *	2/2012	Au	D13/108
D653,615 S *	2/2012	Au	D13/108
D655,243 S *	3/2012	Au	D13/108
D680,070 S *	4/2013	Zaslavsky	D13/110
D680,492 S *	4/2013	Smith	D13/110
D683,314 S *	5/2013	Andre	D13/108

DESCRIPTION

FIG. 1 is a perspective view of a USB plug, showing my new design;
FIG. 2 is a front view thereof;
FIG. 3 is a back view thereof;
FIG. 4 is a left side view thereof;
FIG. 5 is a right side view thereof;
FIG. 6 is a top view thereof; and,
FIG. 7 is a bottom view thereof.
The broken lines shown in the drawings are for the purpose of illustrating portions of the USB plug that form no part of the claimed design.

1 Claim, 7 Drawing Sheets



(56)

References Cited

U.S. PATENT DOCUMENTS

2014/0308853 A1* 10/2014 Colahan H01R 13/6675
439/628
2015/0311656 A1* 10/2015 Lai H01R 31/065
439/620.22
2019/0081431 A1* 3/2019 Heyman H01R 13/504
2019/0094935 A1* 3/2019 Ng G06F 1/266

* cited by examiner

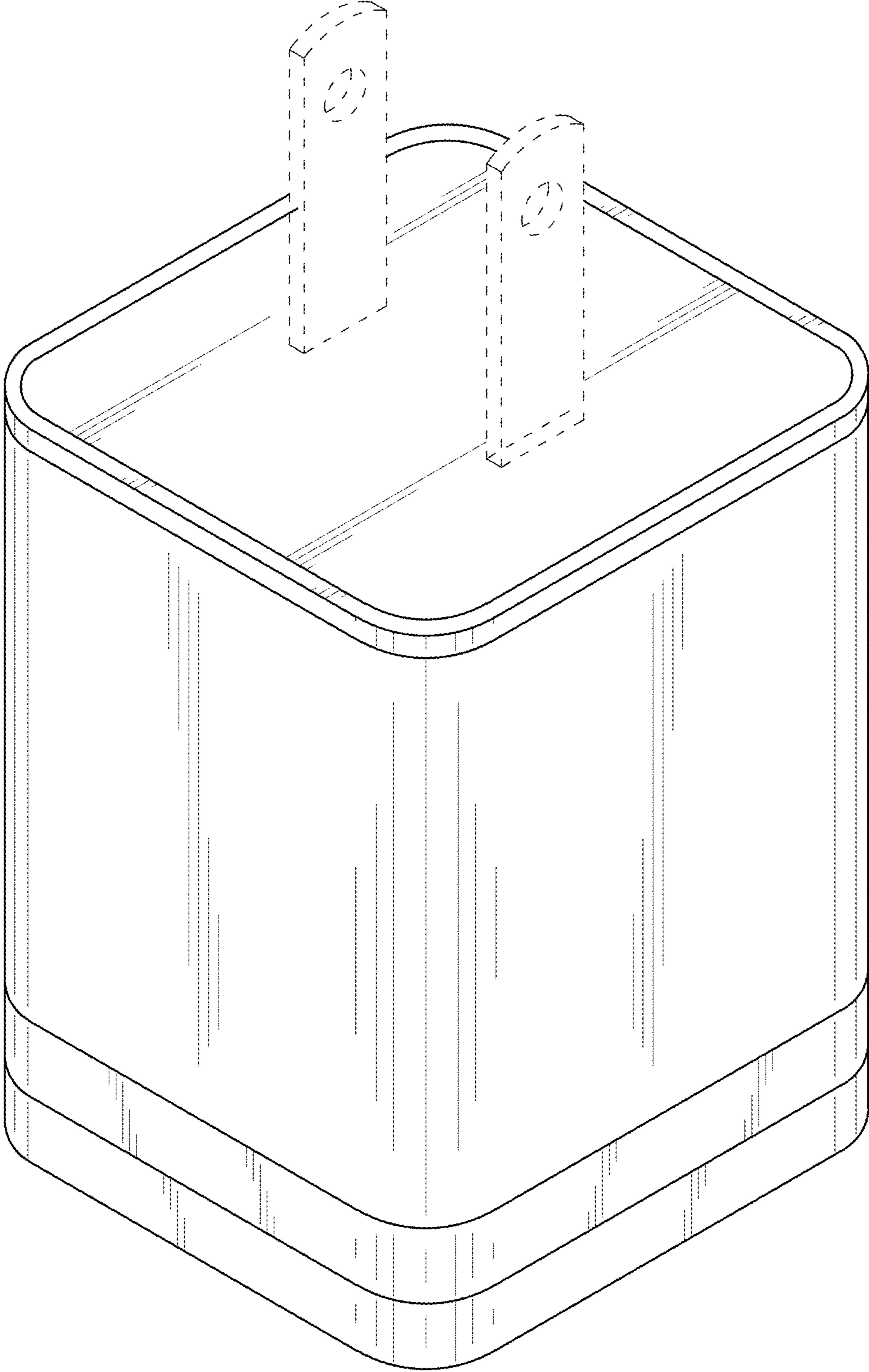


FIG. 1

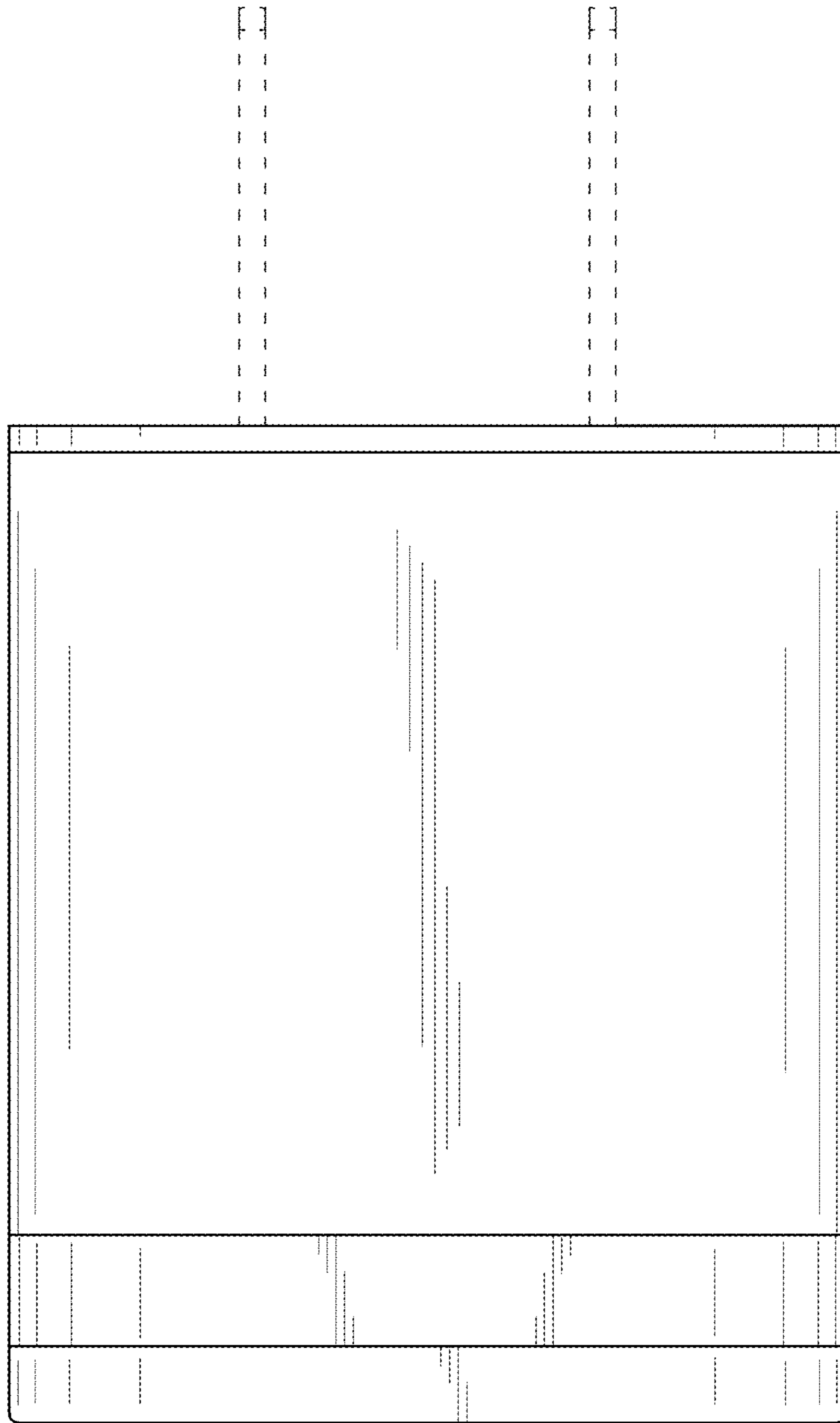


FIG. 2

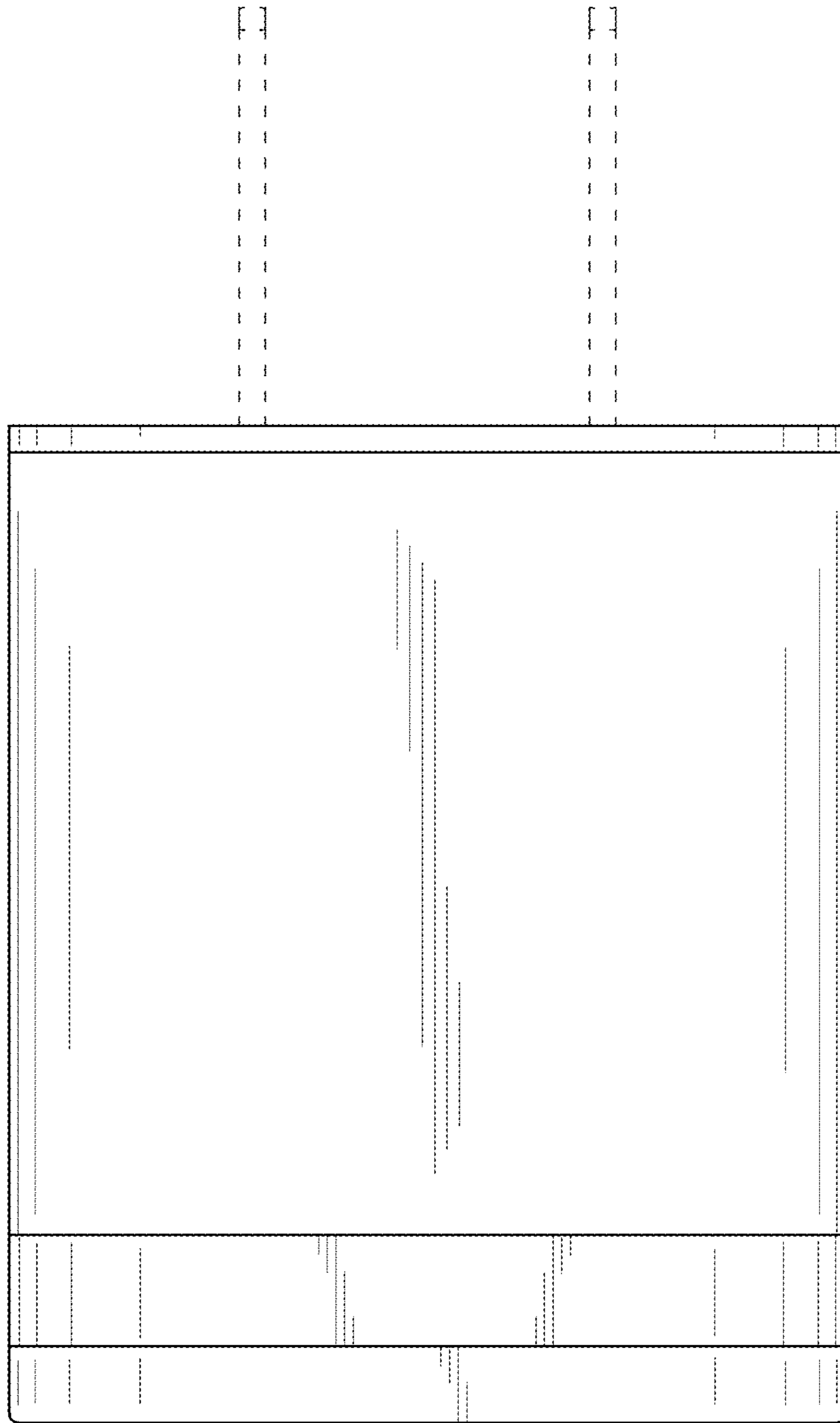


FIG. 3

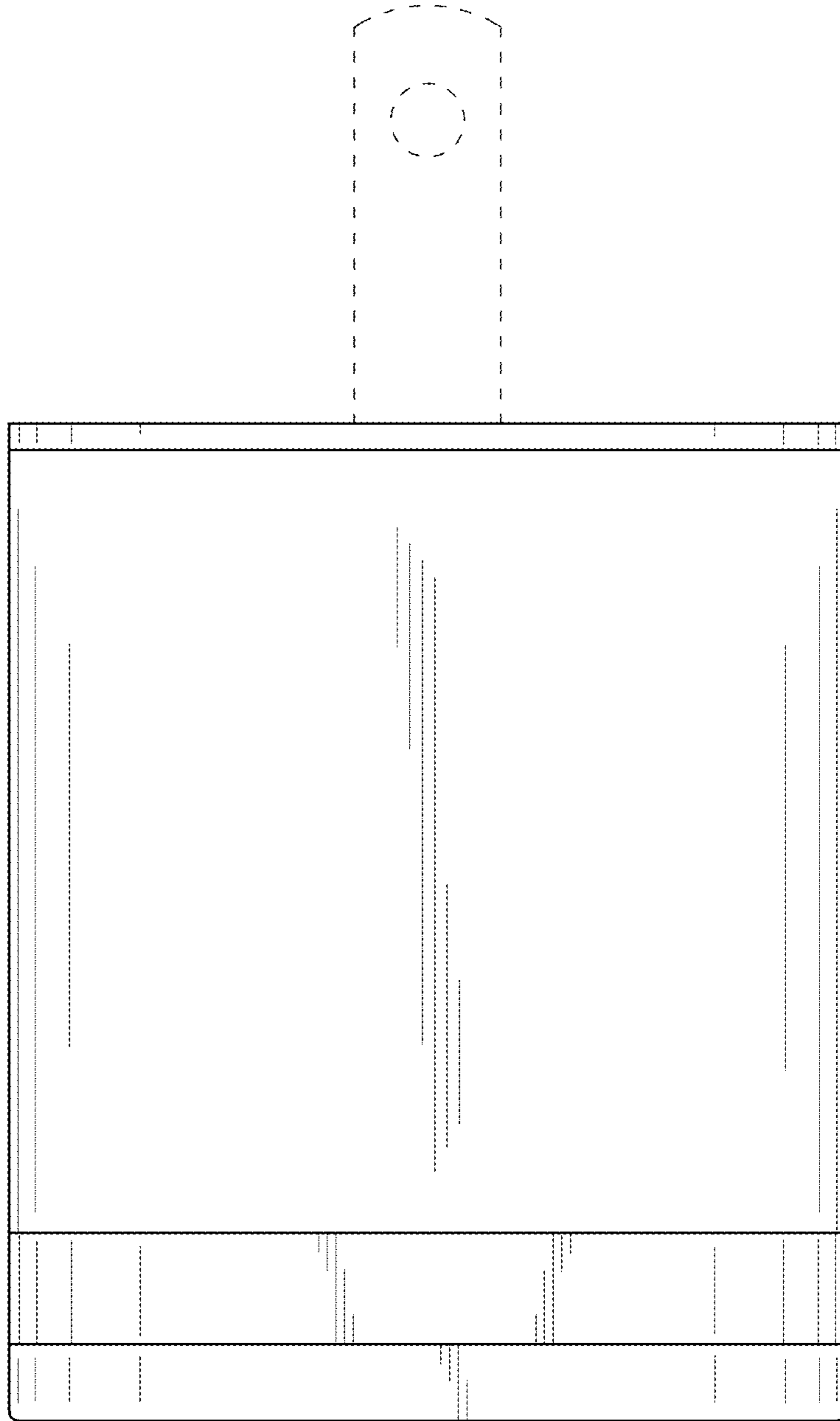


FIG. 4

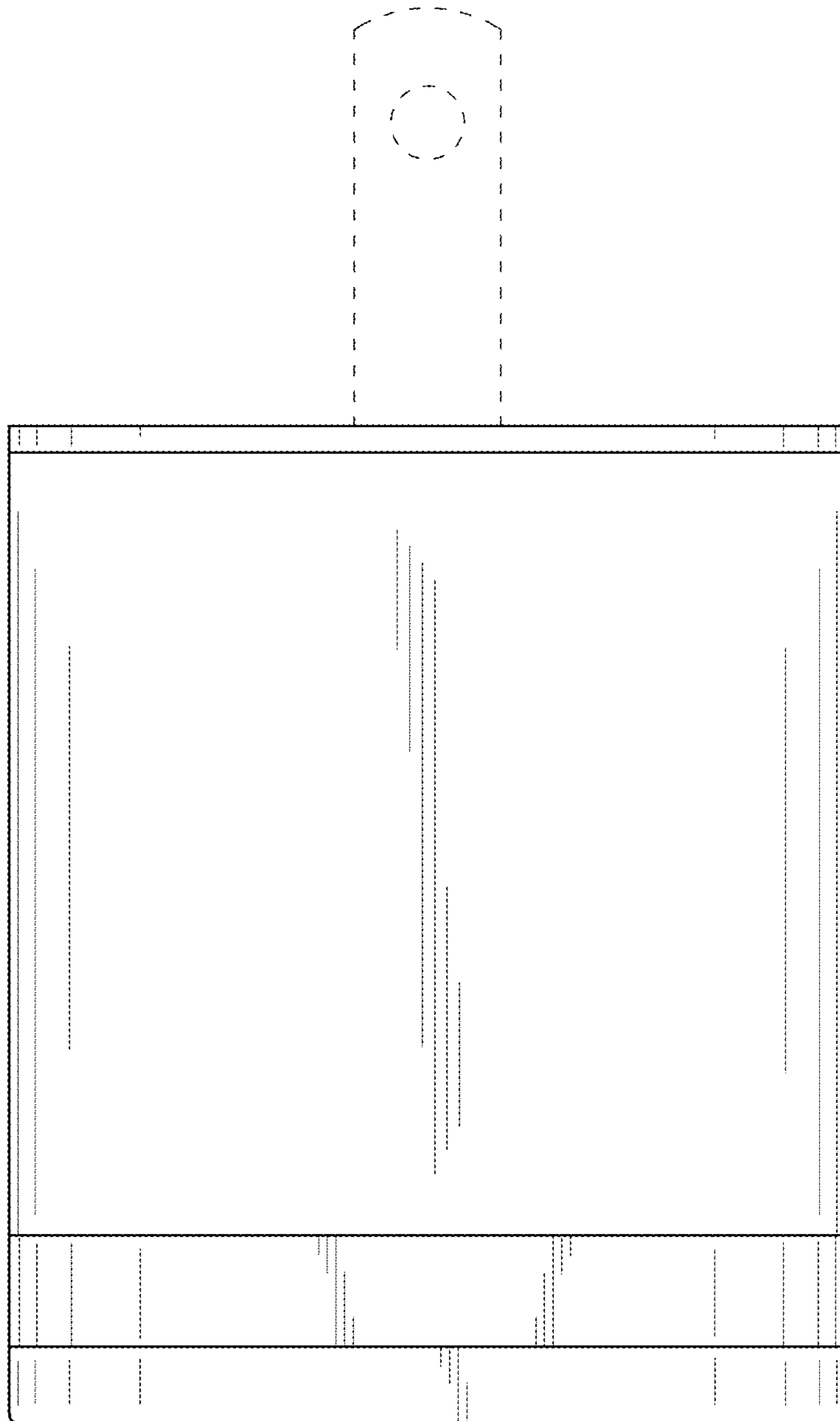


FIG. 5

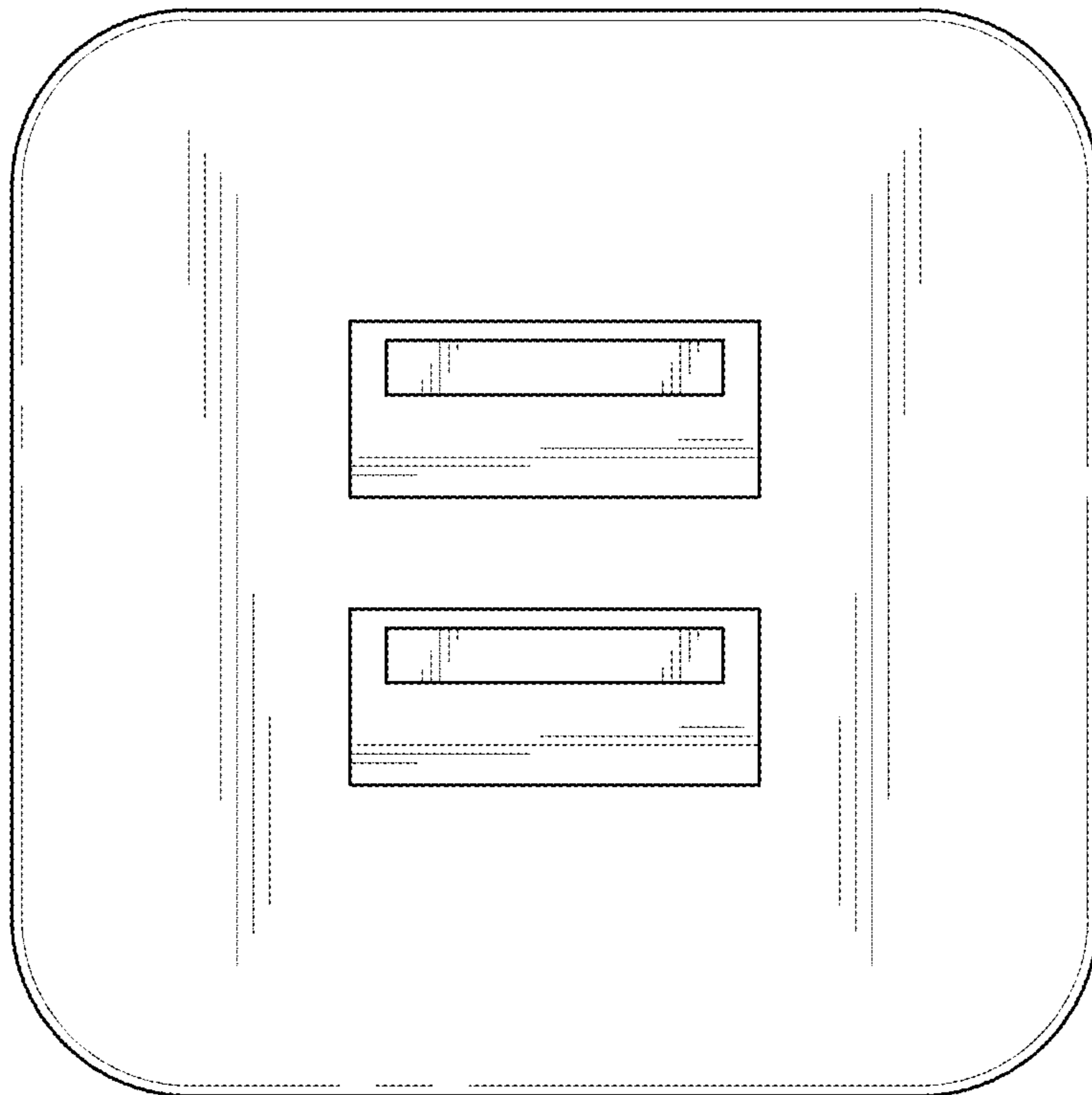


FIG. 6

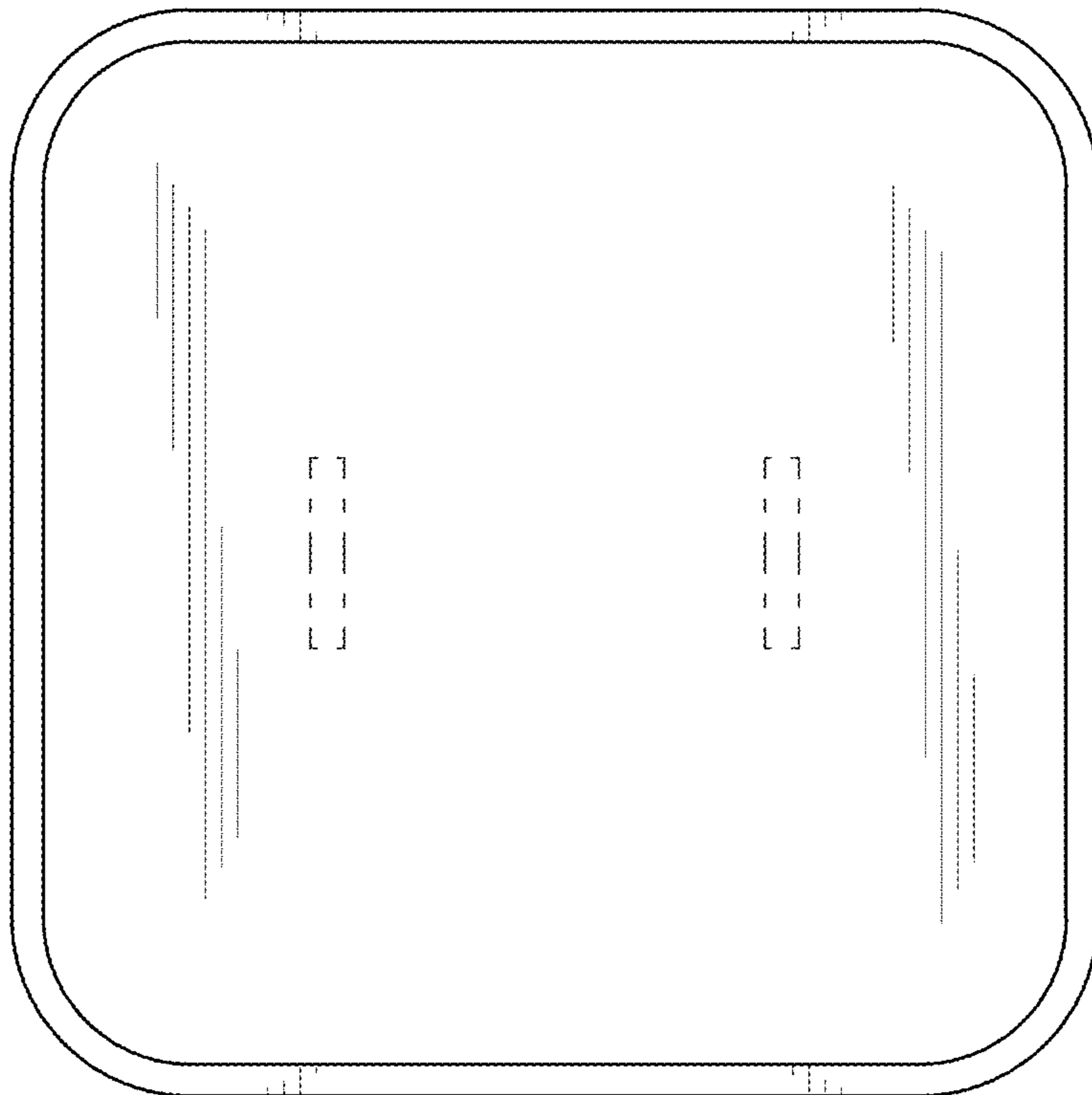


FIG. 7