



US00D879710S

(12) **United States Design Patent**
Yang

(10) **Patent No.:** **US D879,710 S**

(45) **Date of Patent:** **** Mar. 31, 2020**

- (54) **WALL CHARGER**
- (71) Applicant: **Jia Yang Electronics(Dongguan) CO., Ltd, Dongguan (CN)**
- (72) Inventor: **Chung-Kai Yang, New Taipei (TW)**
- (73) Assignee: **JIA YANG ELECTRONICS(DONGGUAN) CO., LTD, Dongguan (CN)**

(**) Term: **15 Years**

(21) Appl. No.: **29/668,673**

(22) Filed: **Nov. 1, 2018**

(51) **LOC (12) Cl.** **13-02**

(52) **U.S. Cl.**
USPC **D13/108**

(58) **Field of Classification Search**
USPC D13/103-110, 118, 119, 184, 199;
D14/251, 253, 432, 434

CPC Y02E 60/10; Y02E 60/12; Y02E 60/122;
Y02E 60/124; Y02E 60/50; H01M 2/02;
H01M 2/022; H01M 2/0202; H01M
2/0207; H01M 2/0212; H01M 2/1061;
H01M 2/1022; H01M 2/1055; H01M
2/1066; H01M 2/105; H01M 2/20; H01M
2/202; H01M 2/204; H01M 2/206; H01M
10/44; H01M 10/46; H01M 10/465;
H01M 10/482; H01M 2200/30; H01M
2250/30; H01M 2250/40; H02J 7/00;
H02J 7/0003; H02J 7/0011; H02J 7/0013;
H02J 7/0054; H02J 7/0055; H02J 7/0057;
H02J 2007/0062

See application file for complete search history.

(56) **References Cited**

U.S. PATENT DOCUMENTS

- D478,310 S * 8/2003 Andre D13/110
- D478,546 S * 8/2003 Andre D13/110

- D479,823 S * 9/2003 Andre D13/110
- D657,743 S * 4/2012 Andre D13/110
- D658,123 S * 4/2012 Andre D13/110
- D662,473 S * 6/2012 Andre D13/110
- D663,687 S * 7/2012 Liu D13/108
- D663,688 S * 7/2012 Liu D13/108
- D694,183 S * 11/2013 Matsuoka D13/110
- D694,185 S * 11/2013 Matsuoka D13/110
- D694,706 S * 12/2013 Kuo D13/108
- D704,135 S * 5/2014 Stewart D13/108
- 8,888,513 B2 * 11/2014 Shi H01R 31/06
439/131
- D736,153 S * 8/2015 Levy D13/108
- D736,154 S * 8/2015 Levy D13/108
- D738,822 S * 9/2015 Stewart D13/108
- D740,224 S * 10/2015 Stewart D13/108
- D740,749 S * 10/2015 Stewart D13/108
- D772,160 S * 11/2016 Roberts D13/110
- D784,921 S * 4/2017 Huang D13/107

(Continued)

Primary Examiner — Rosemary K Tarcza

Assistant Examiner — Christy M Nemeth

(74) *Attorney, Agent, or Firm* — Bayramoglu Law offices
LLC

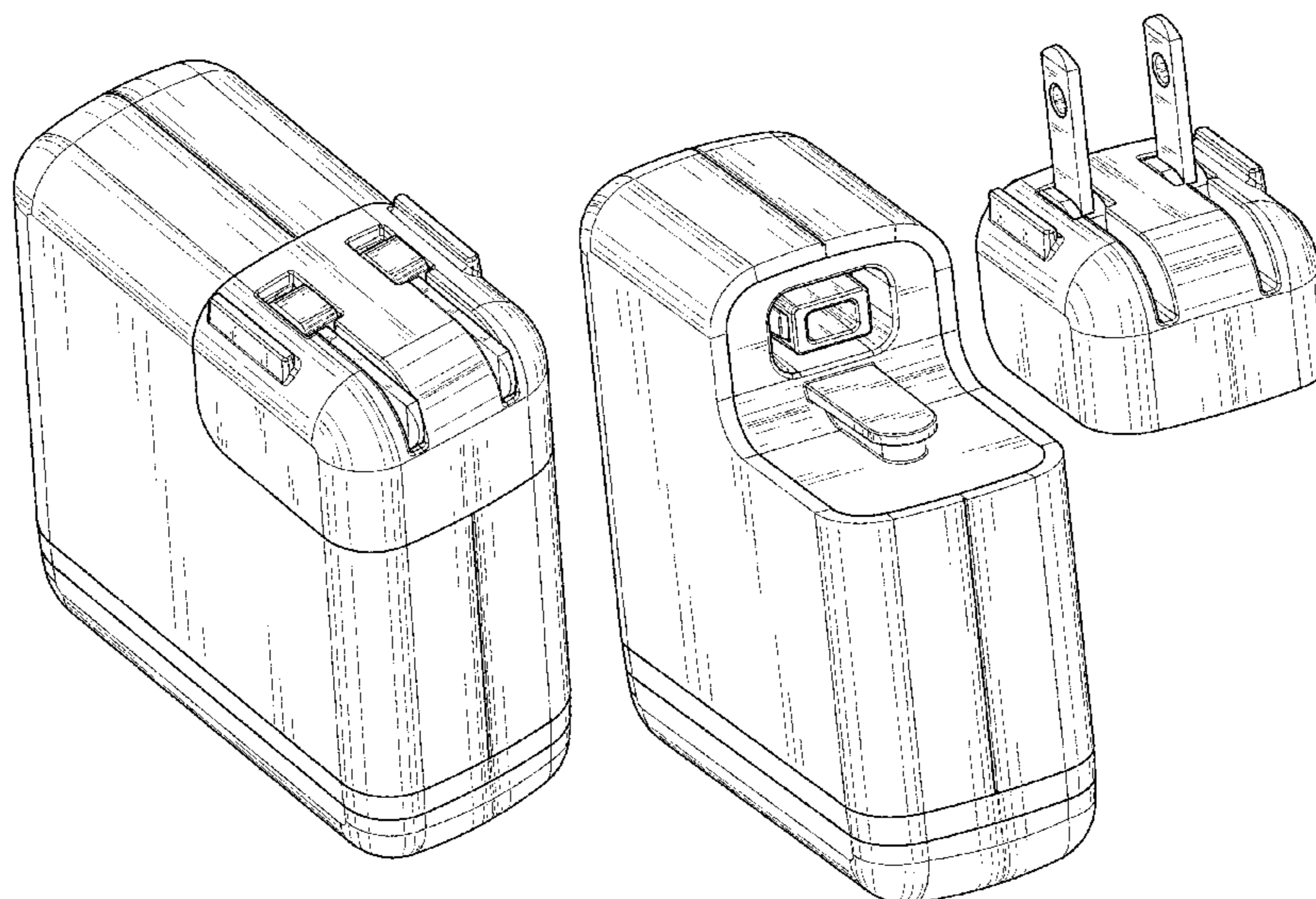
(57) **CLAIM**

The ornamental design for a wall charger, as shown and described.

DESCRIPTION

- FIG. 1 is a front view of a wall charger showing the new design;
- FIG. 2 is a rear view thereof;
- FIG. 3 is a left side view thereof;
- FIG. 4 is a right side view thereof;
- FIG. 5 is a top view thereof;
- FIG. 6 is a bottom view thereof;
- FIG. 7 is a bottom perspective view thereof;
- FIG. 8 is a top perspective view thereof;
- FIG. 9 is another bottom perspective view thereof; and,
- FIG. 10 is an exploded bottom perspective view thereof.

1 Claim, 10 Drawing Sheets



(56)

References Cited

U.S. PATENT DOCUMENTS

D806,021	S	*	12/2017	Xu	D13/107
D821,972	S	*	7/2018	Wei	D13/108
D824,850	S	*	8/2018	Kojima	D13/107
D845,235	S	*	4/2019	Yang	D13/108
10,297,965	B1	*	5/2019	Yang	H01R 31/06
2010/0117597	A1	*	5/2010	Wang	H02J 7/0042 320/111
2013/0187459	A1	*	7/2013	Green	H02J 3/00 307/31
2014/0333263	A1	*	11/2014	Stewart	H02J 7/0042 320/111
2015/0280479	A1	*	10/2015	Levy	H02J 7/0055 320/111

* cited by examiner

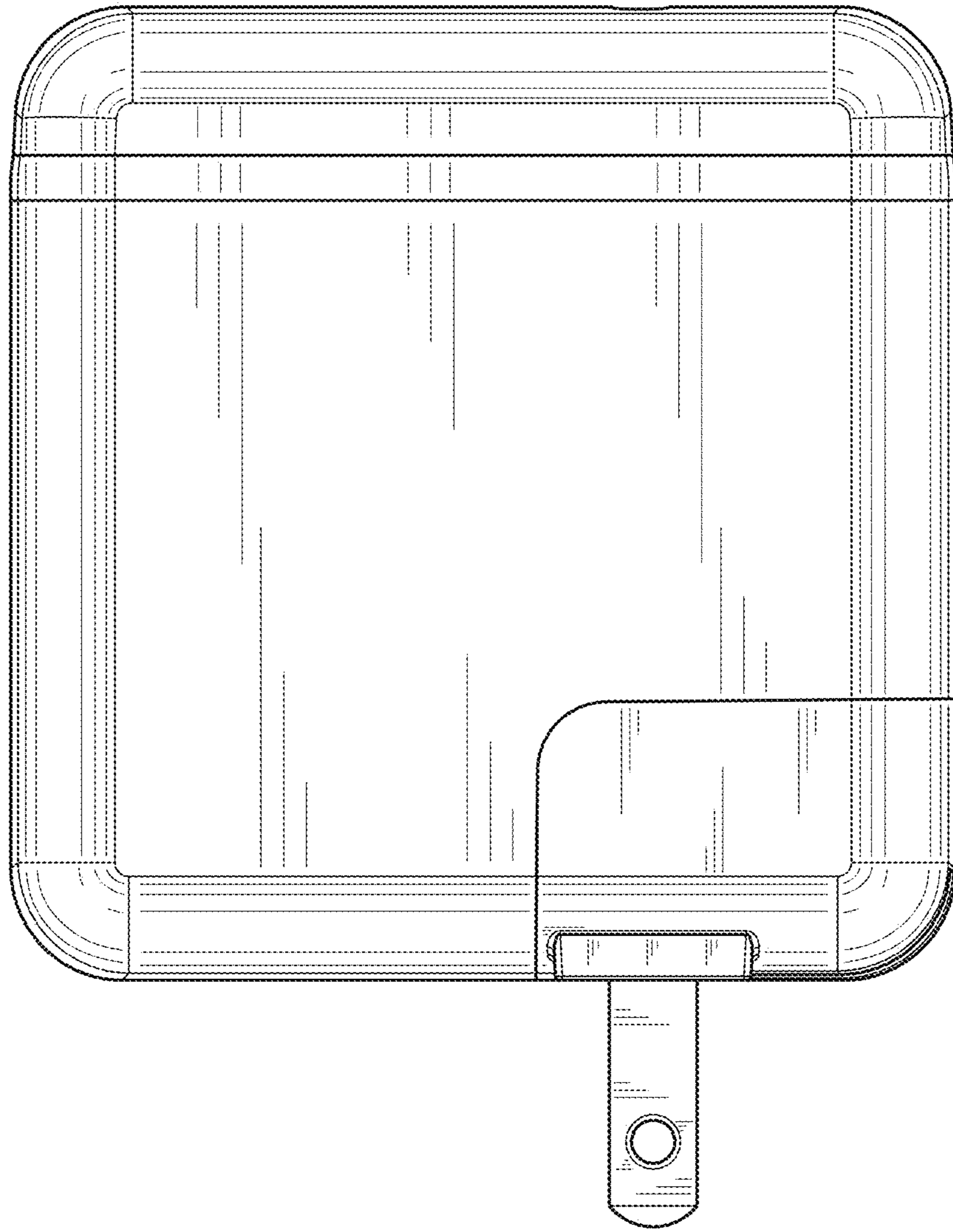


Fig. 1

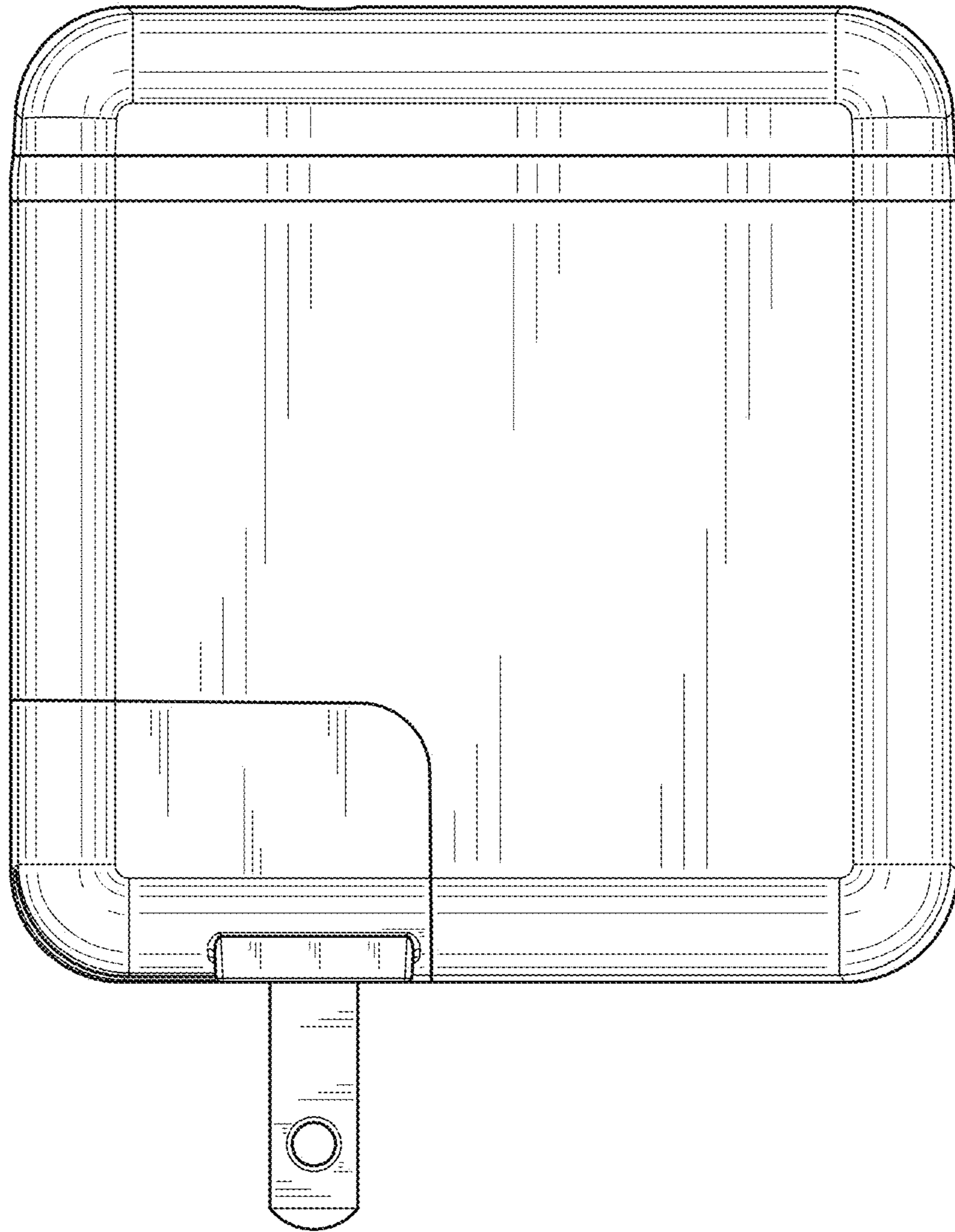


Fig. 2

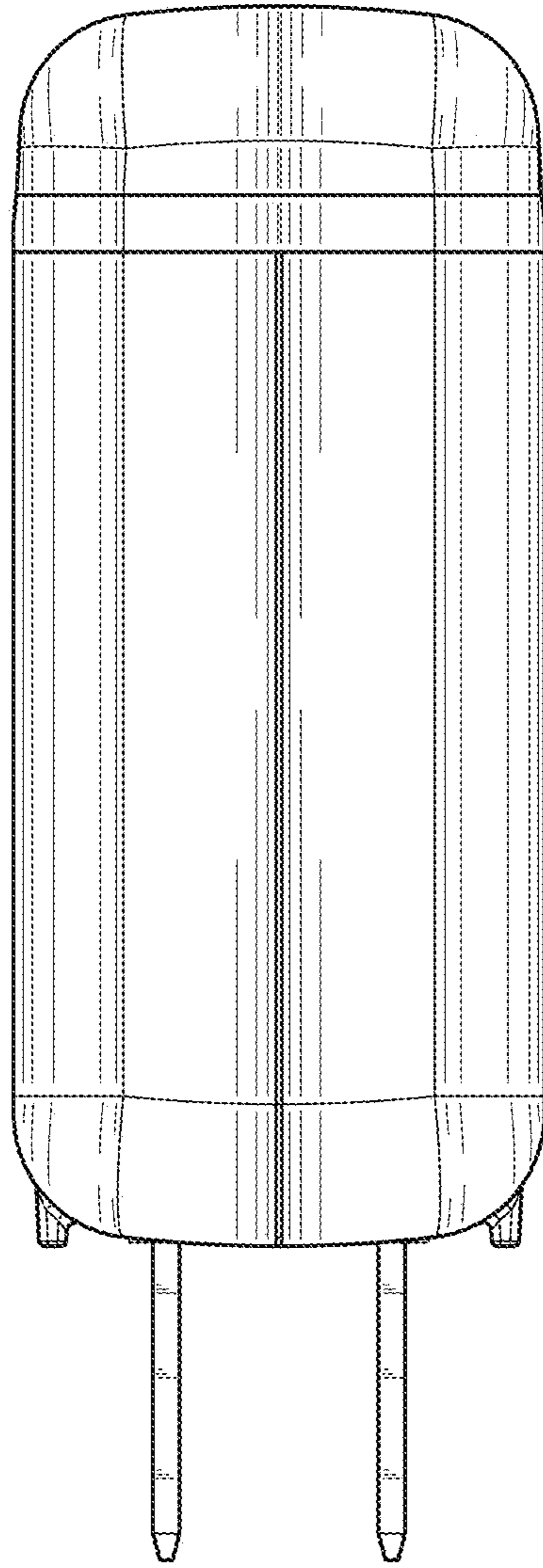


Fig. 3

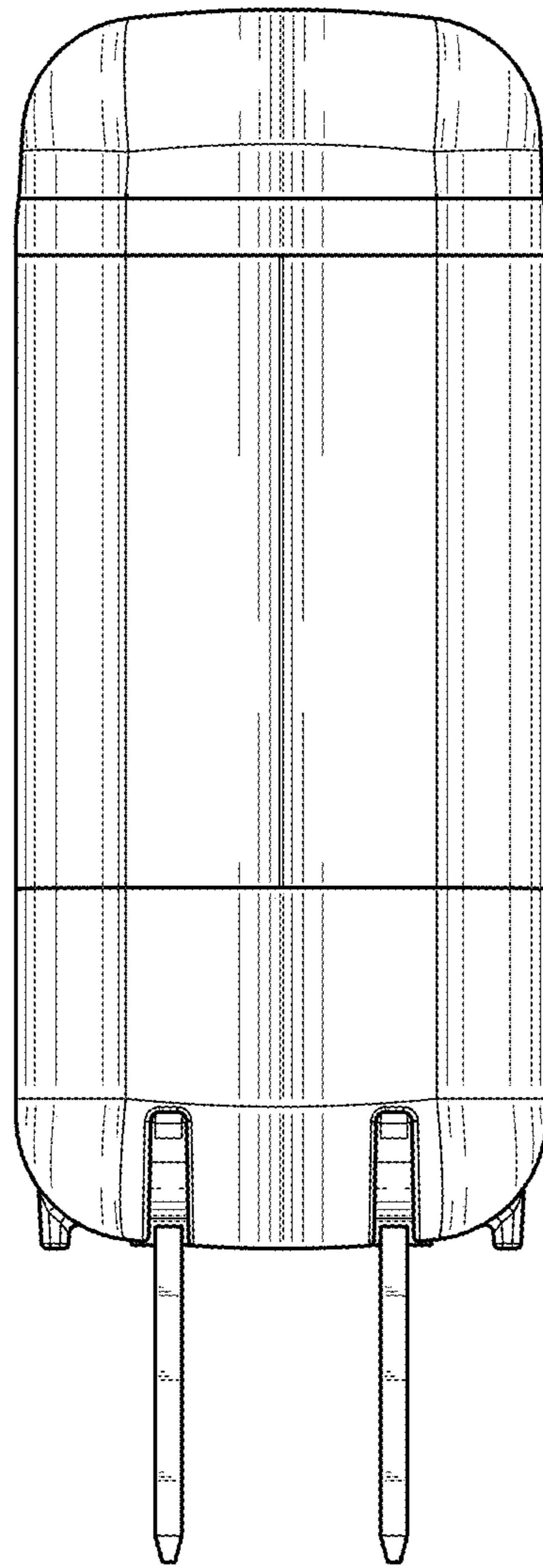


Fig. 4

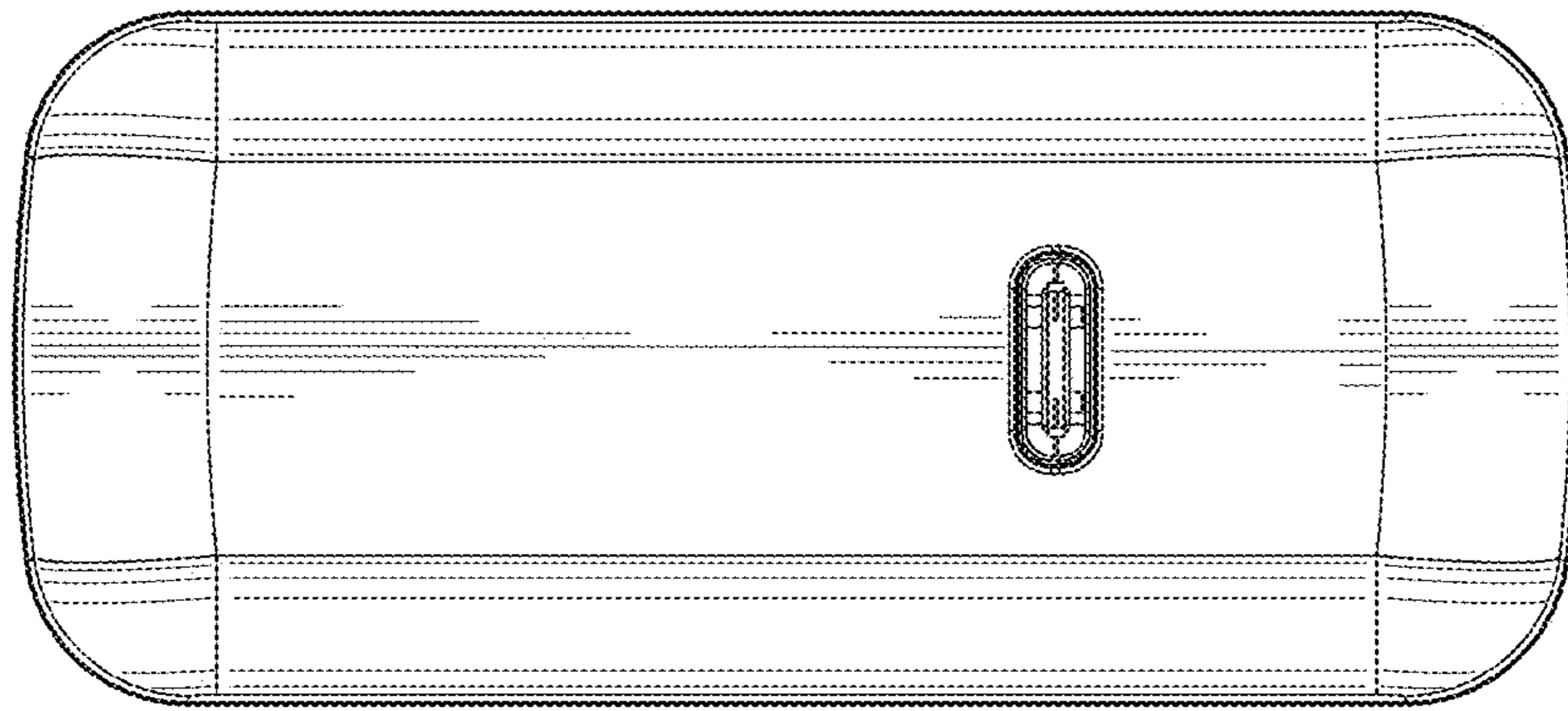


Fig. 5

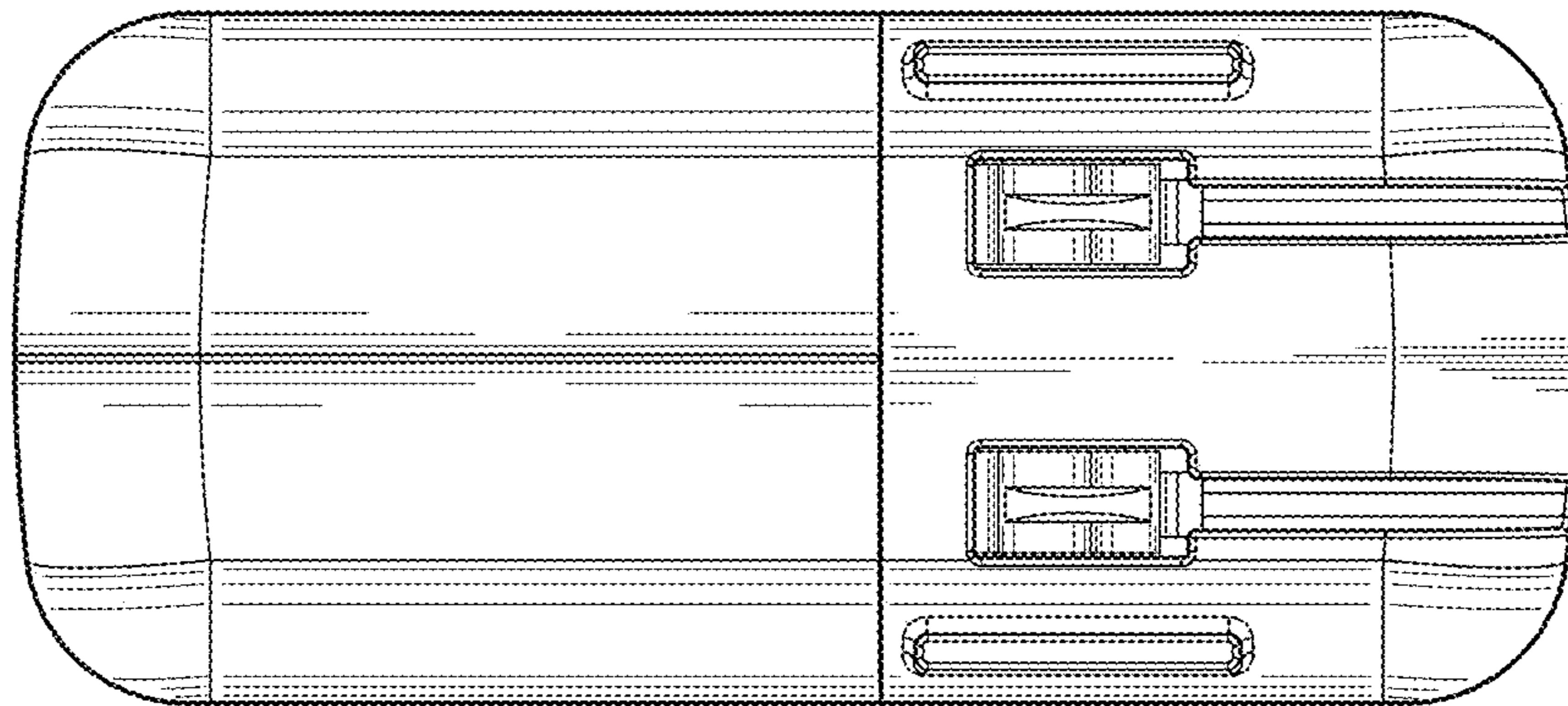


Fig. 6

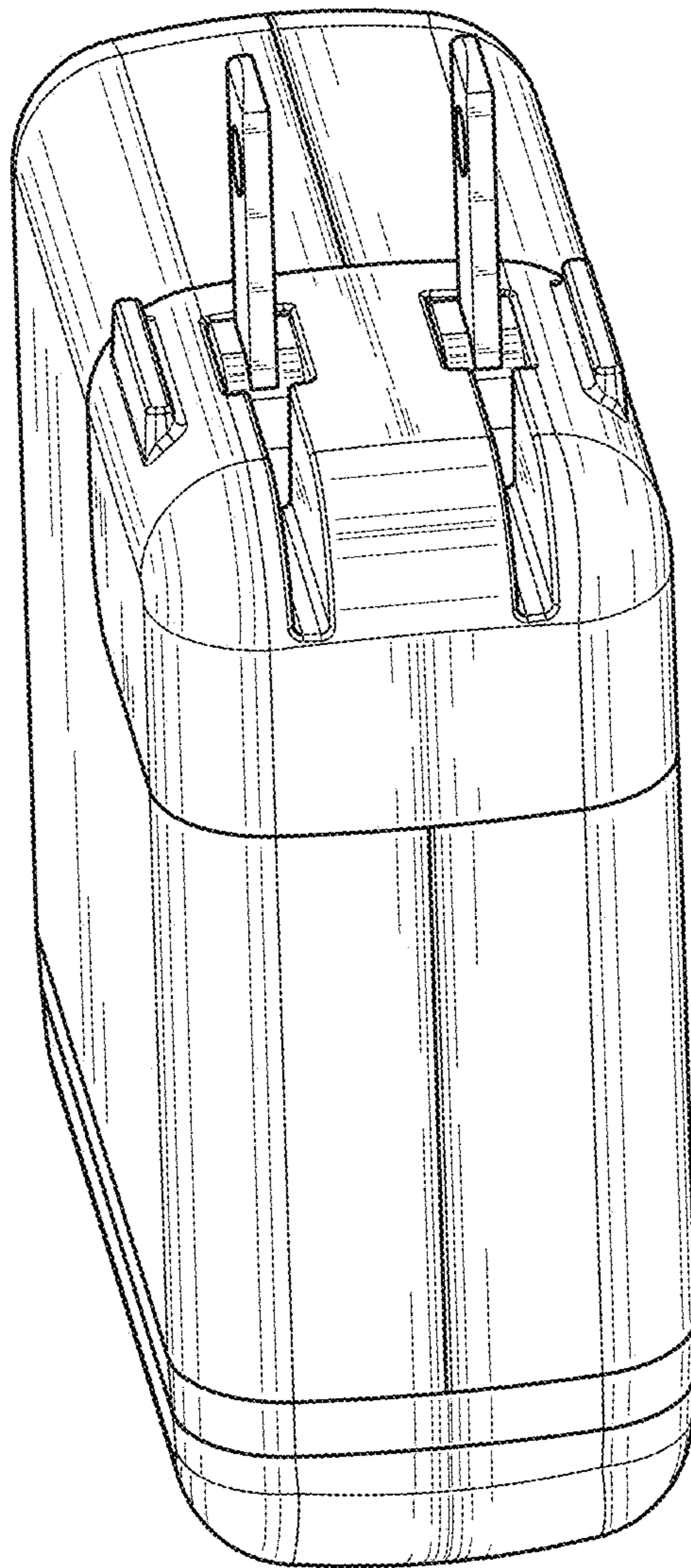


Fig. 7

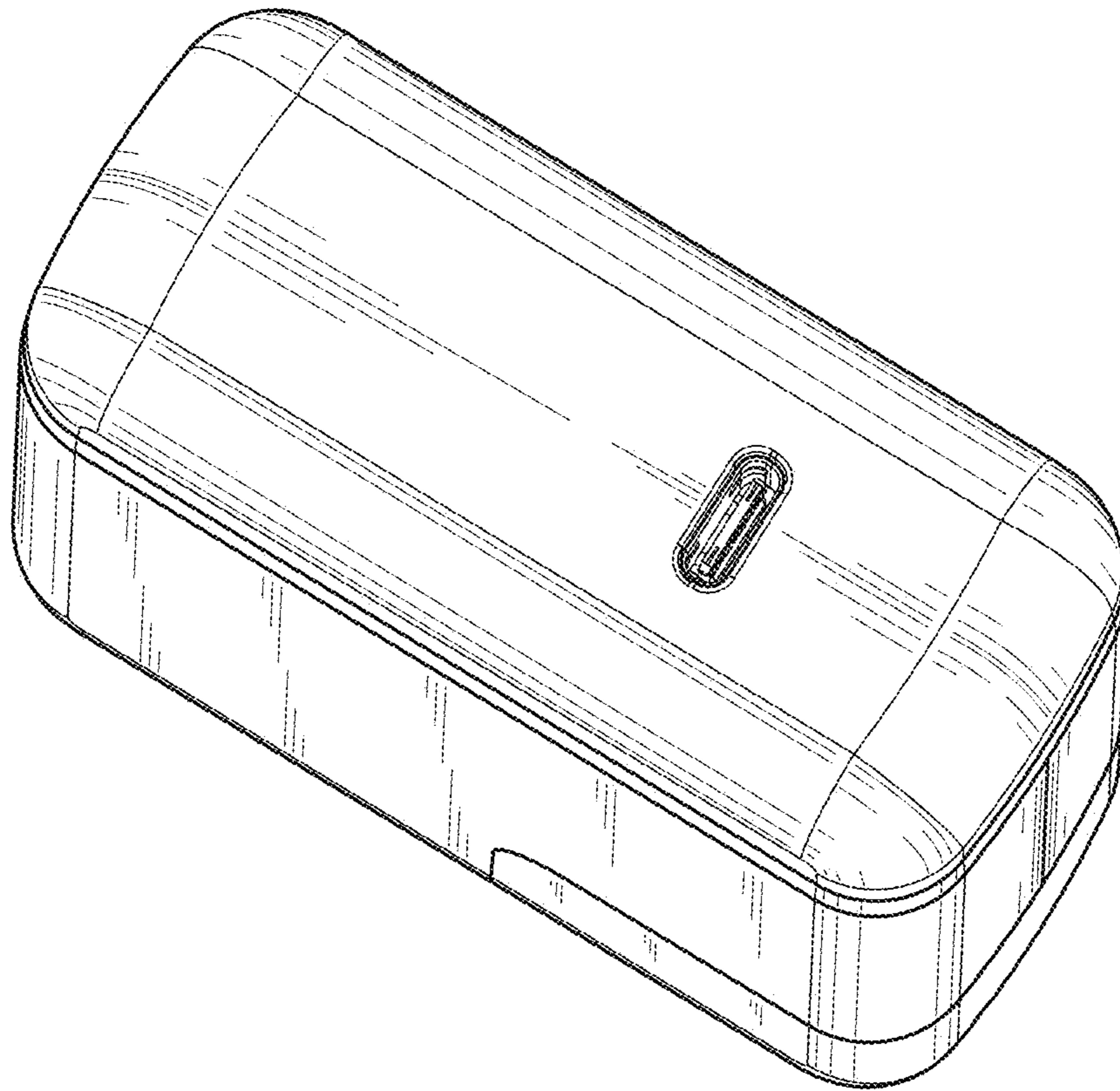


Fig. 8



Fig. 9

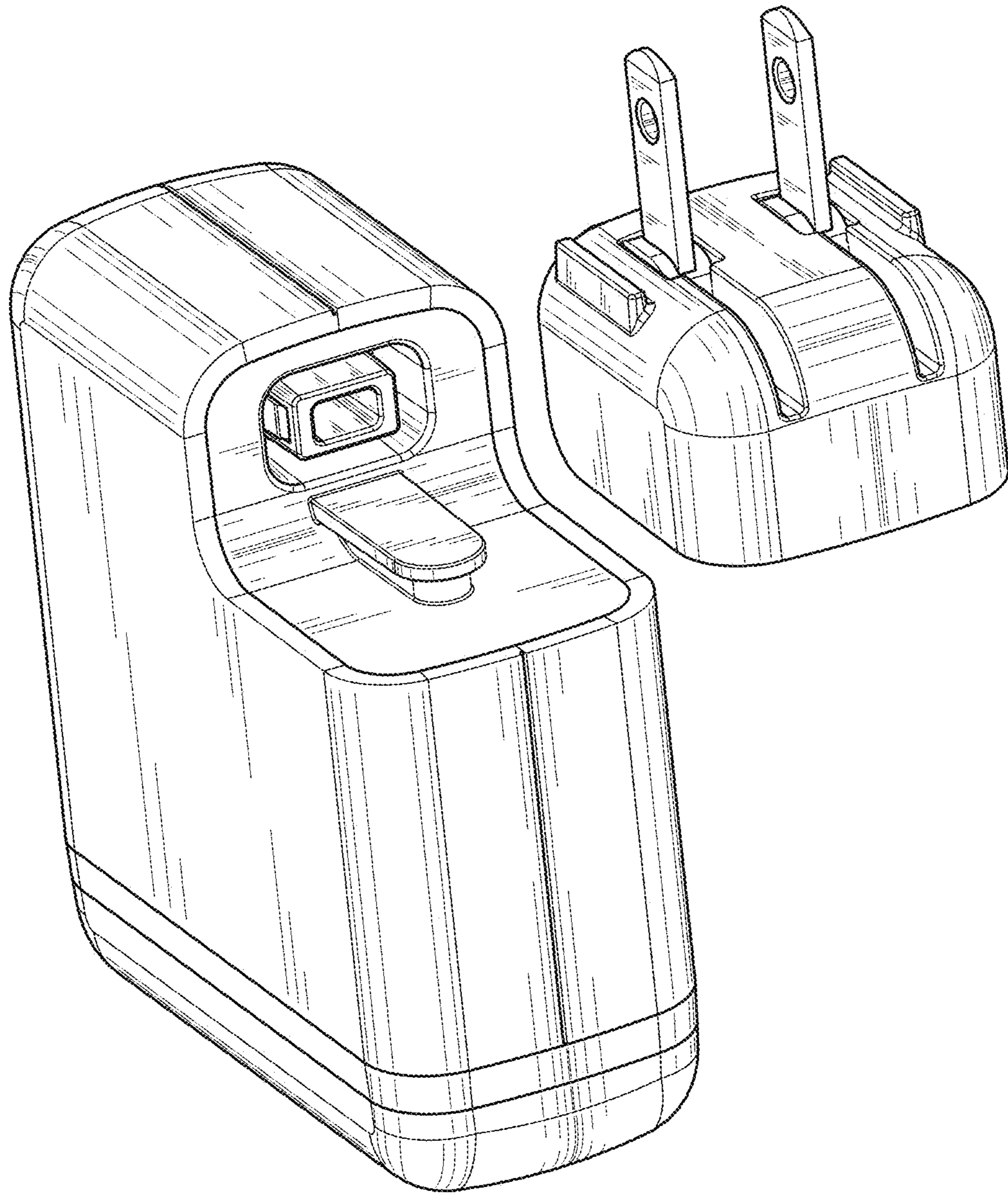


Fig. 10