



US00D879709S

(12) **United States Design Patent** (10) **Patent No.:** **US D879,709 S**
Lu (45) **Date of Patent:** **** Mar. 31, 2020**

(54) **CHARGING DEVICE FOR A ROBOT**
(71) Applicant: **Beijing Geekplus Technology Co., Ltd.**, Chaoyang District, Beijing (CN)
(72) Inventor: **Huanhuan Lu**, Beijing (CN)
(73) Assignee: **BEIJING GEEKPLUS TECHNOLOGY CO., LTD.**, Chaoyang District, Beijing (CN)
(**) Term: **15 Years**
(21) Appl. No.: **29/654,821**
(22) Filed: **Jun. 27, 2018**
(30) **Foreign Application Priority Data**

Jan. 2, 2018 (CN) 2018 3 0000119
(51) **LOC (12) Cl.** **13-02**
(52) **U.S. Cl.**
USPC **D13/108**
(58) **Field of Classification Search**
USPC D13/107-110, 118-119, 184; D14/251, D14/253, 432, 434
CPC Y02E 60/12; Y02T 90/14; Y02T 90/122; Y02T 90/128; Y02T 90/163; H02J 7/025; H02J 7/0042; H02J 7/0044; H02J 7/0045; H02J 7/0003; H01F 38/14; H01R 13/6675; H01M 2/1022; H01M 2/1055; H01M 10/44; H01M 10/46; H01M 10/425; B60L 11/182

See application file for complete search history.

(56) **References Cited**

U.S. PATENT DOCUMENTS

D588,059	S	*	3/2009	Fujita	D13/108
D639,237	S	*	6/2011	Lee	D13/108
D639,735	S	*	6/2011	Lee	D13/108
D675,154	S	*	1/2013	Nam	D13/108
D687,773	S	*	8/2013	Huang	D13/108
D698,310	S	*	1/2014	Yun	D13/108
D711,885	S	*	8/2014	Ohshima	D14/434
D741,795	S	*	10/2015	Conrad	D13/108
D769,186	S	*	10/2016	Yang	D13/108
D782,412	S	*	3/2017	Kim	D13/108
D815,594	S	*	4/2018	Chen	D13/108
D818,950	S	*	5/2018	Ebrahimi Afrouzi	D13/108

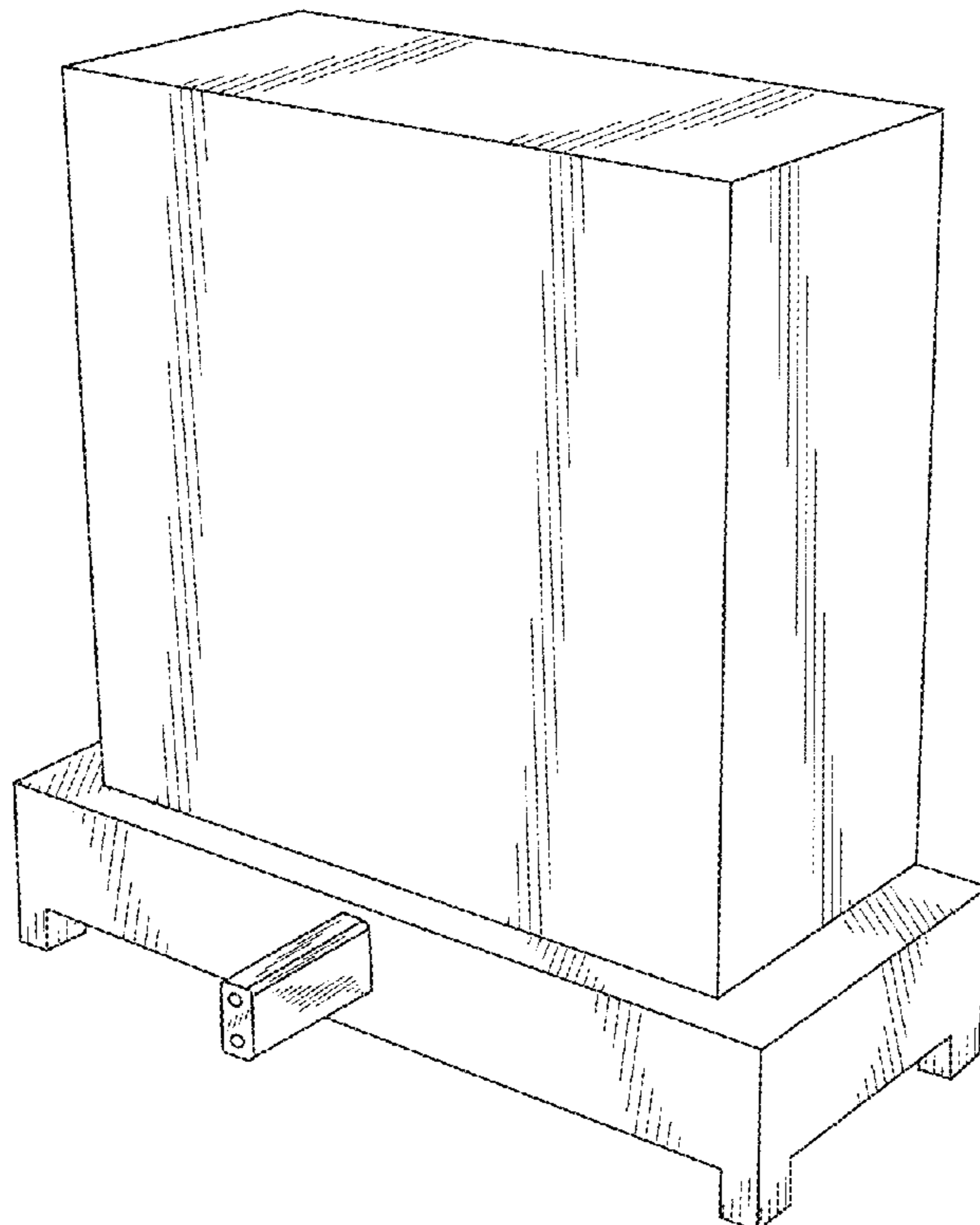
* cited by examiner

Primary Examiner — Rosemary K Tarcza
(74) *Attorney, Agent, or Firm* — Stoel Rives LLP

(57) **CLAIM**
The ornamental design for a charging device for a robot, as shown and described.

DESCRIPTION
FIG. 1 is a perspective view of a charging device for a robot; FIG. 2 is a front view thereof; FIG. 3 is a rear view thereof; FIG. 4 is a left view thereof; FIG. 5 is a right view thereof; FIG. 6 is a top view thereof; and, FIG. 7 is a bottom view thereof.

1 Claim, 7 Drawing Sheets



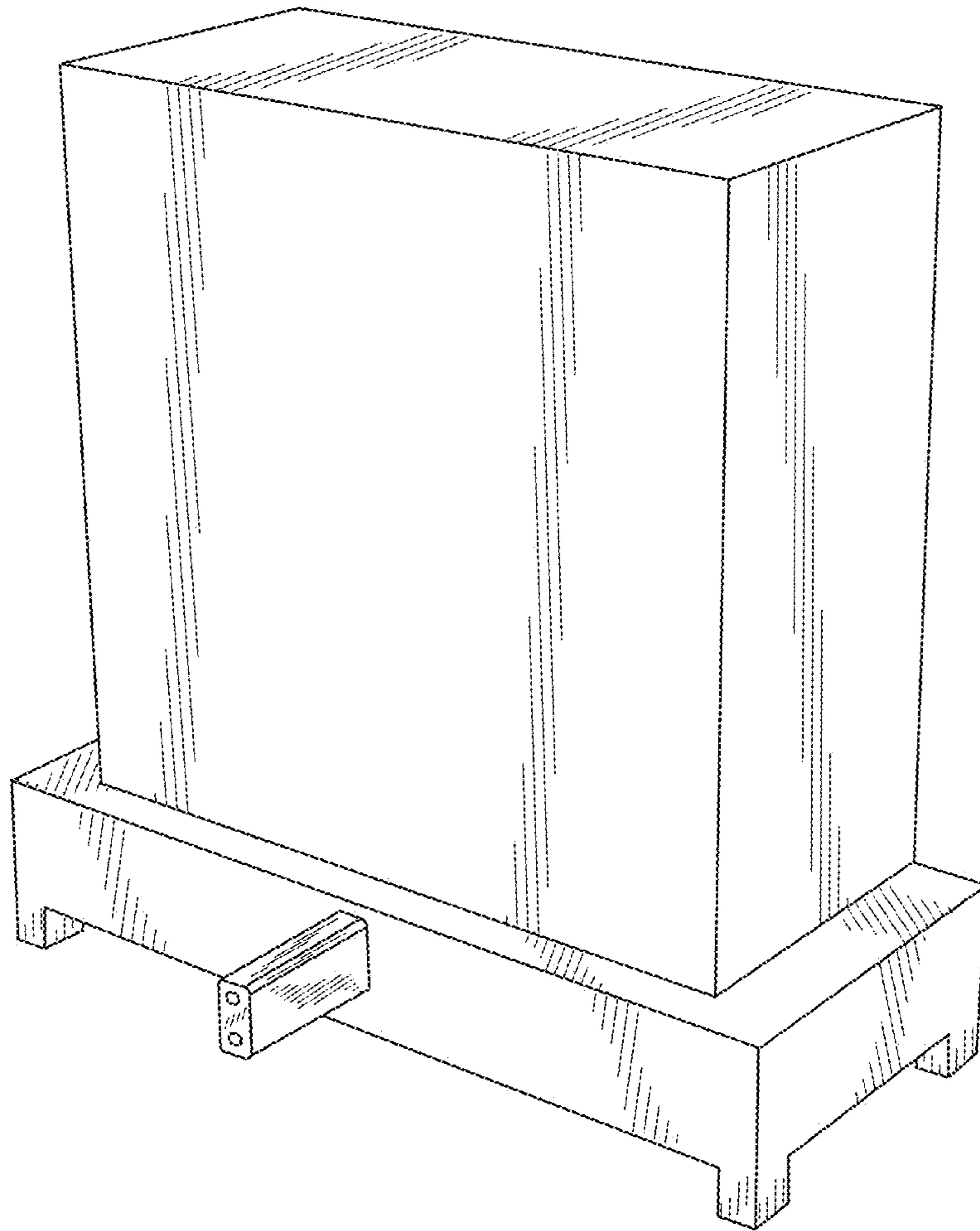


FIG. 1

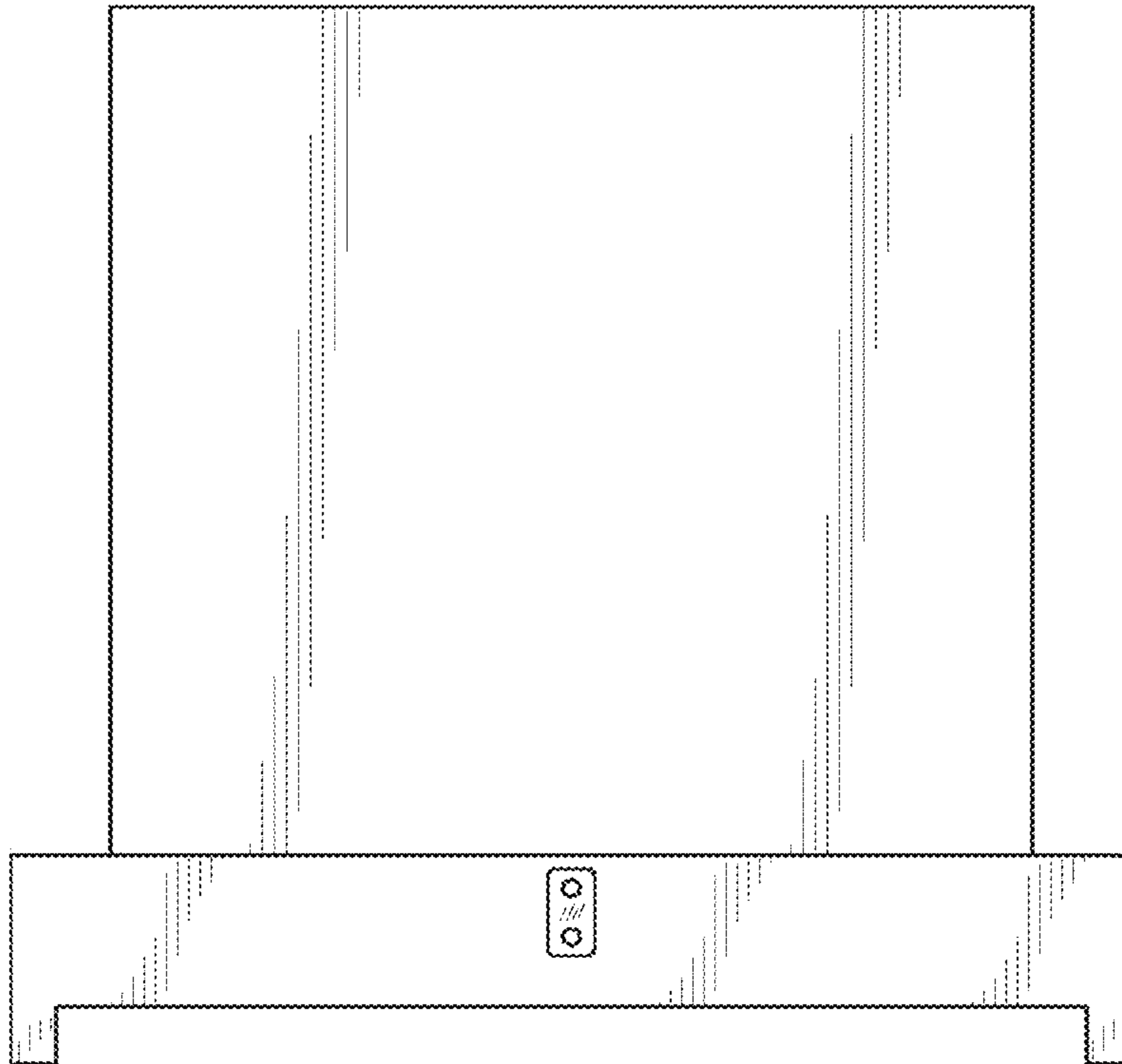


FIG. 2

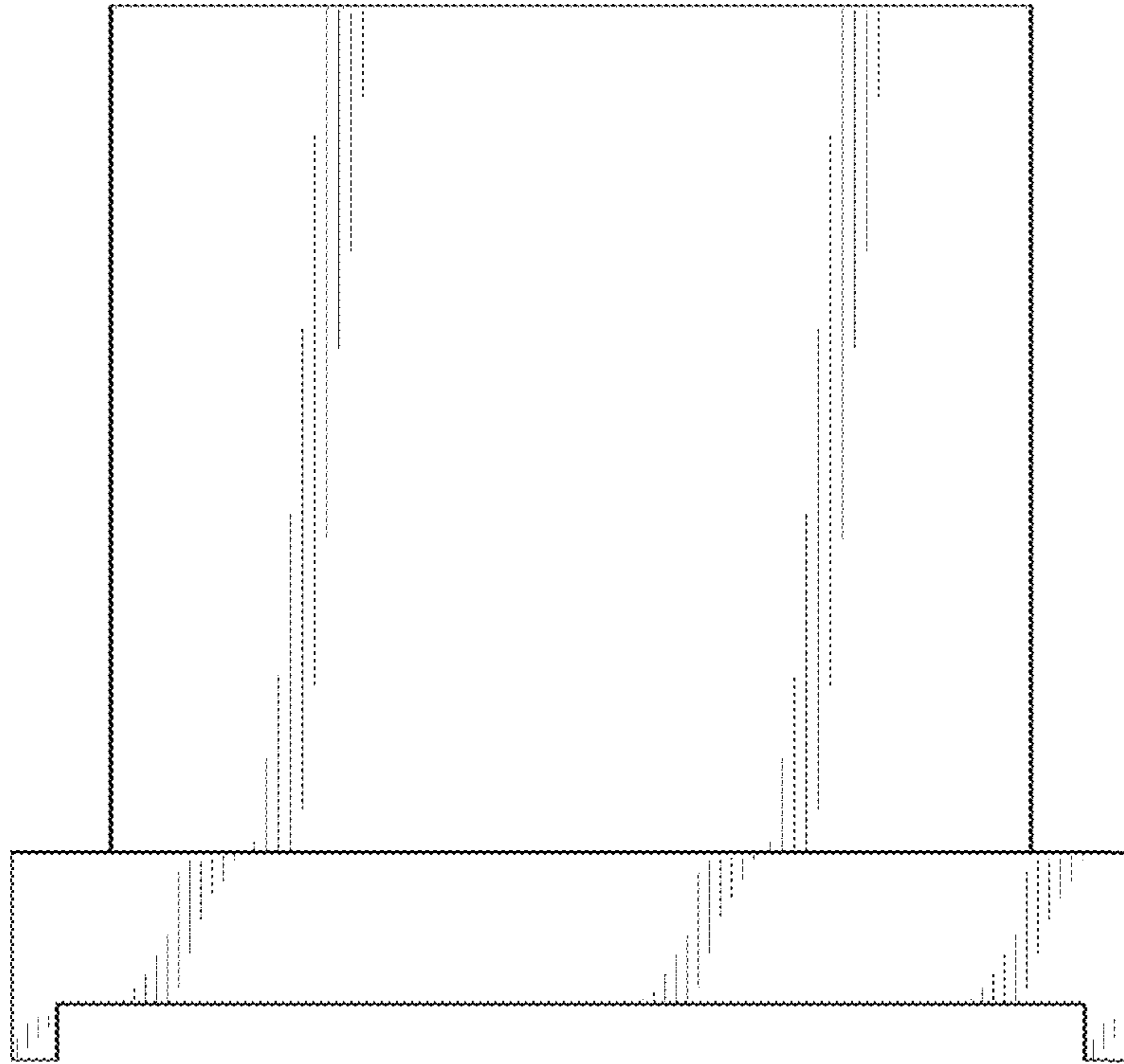


FIG. 3

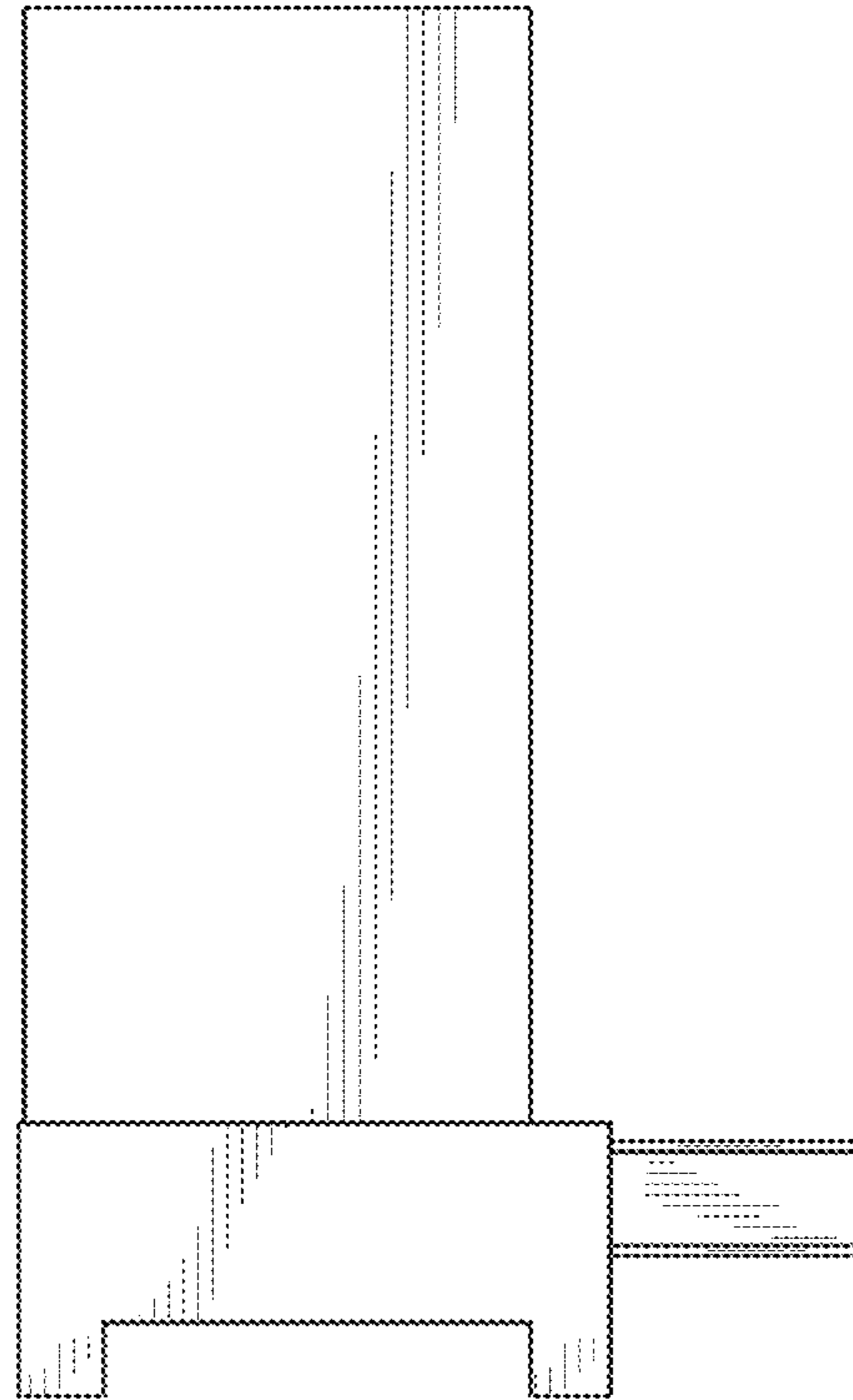


FIG. 4

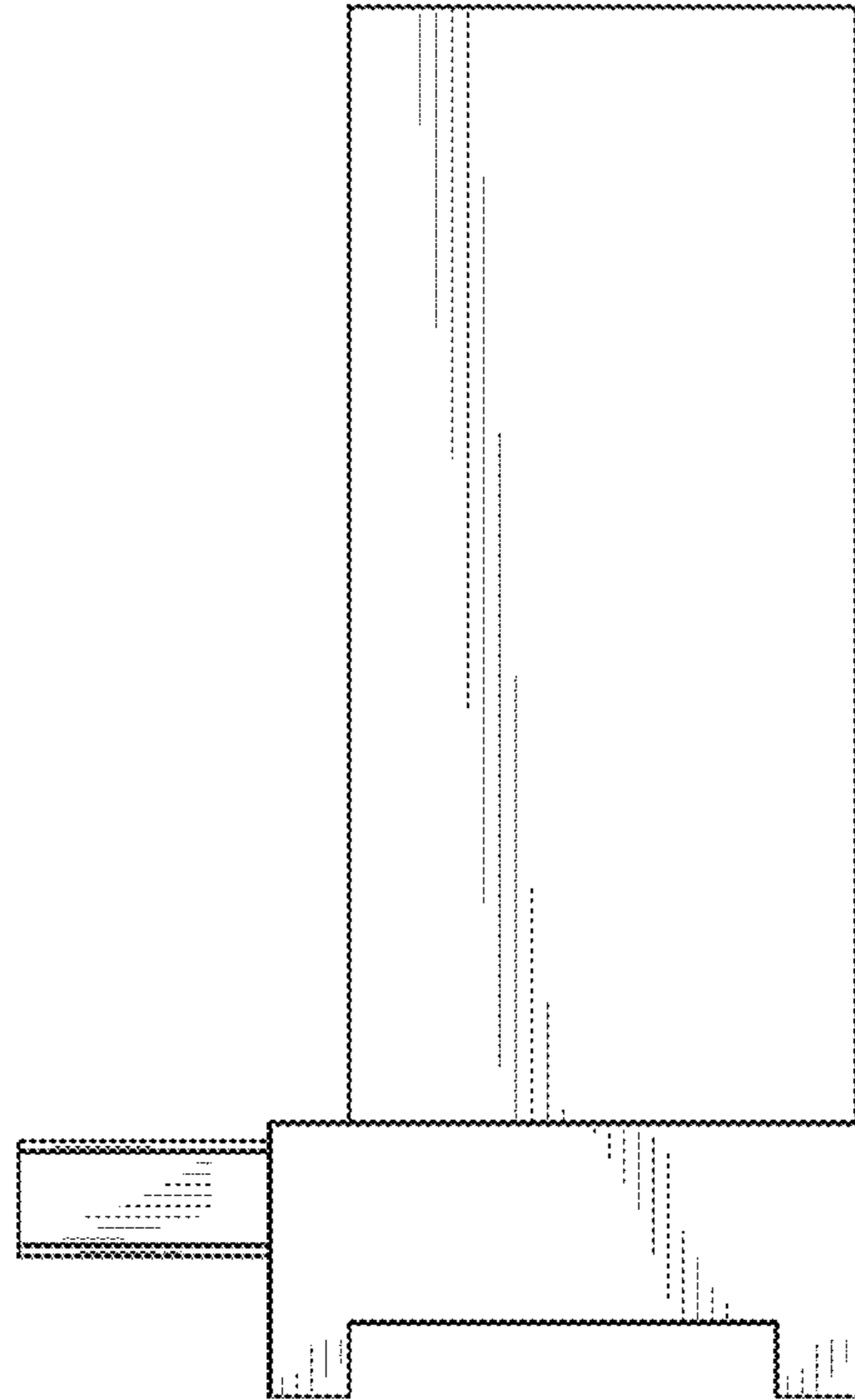


FIG. 5

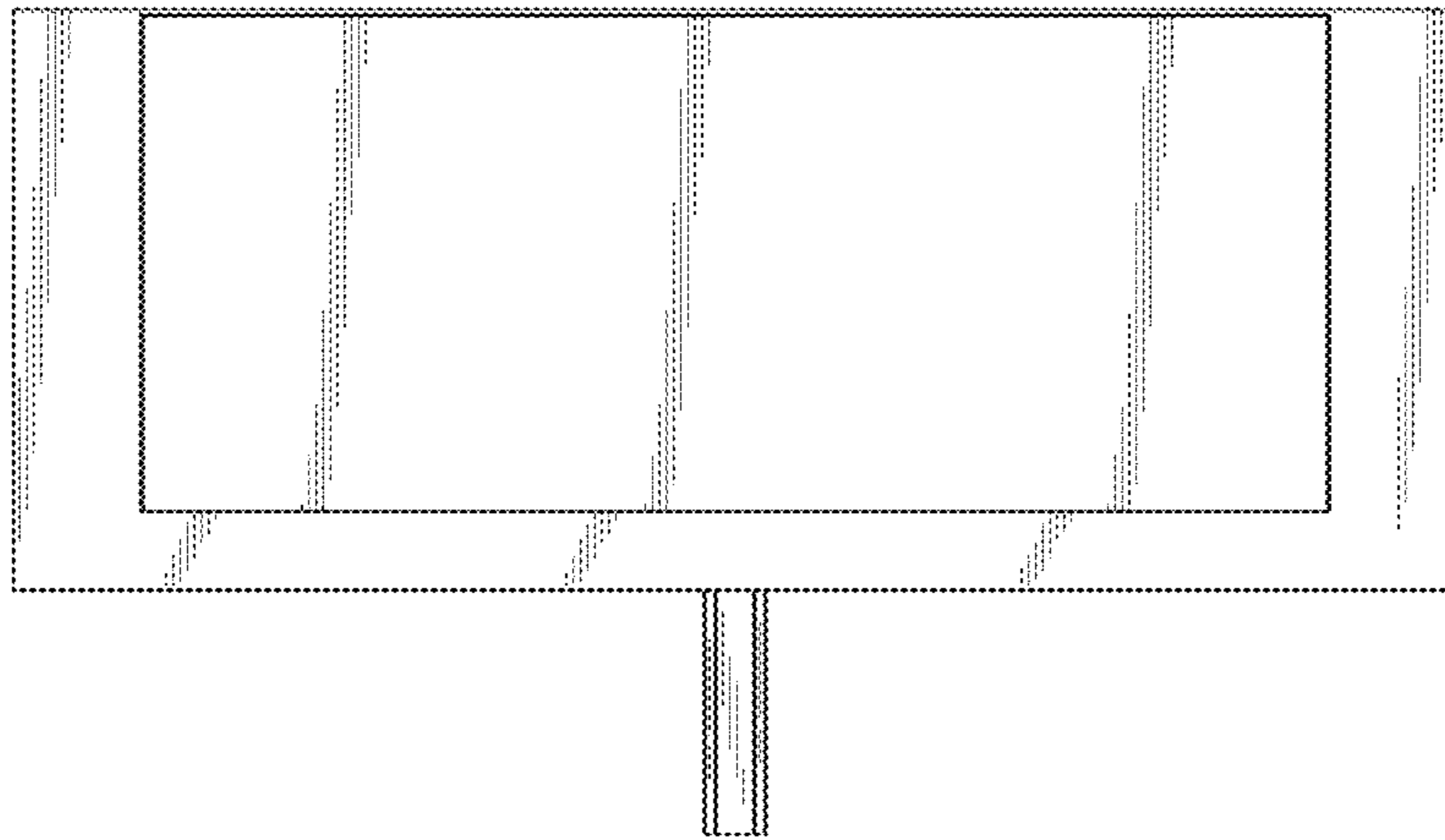


FIG. 6

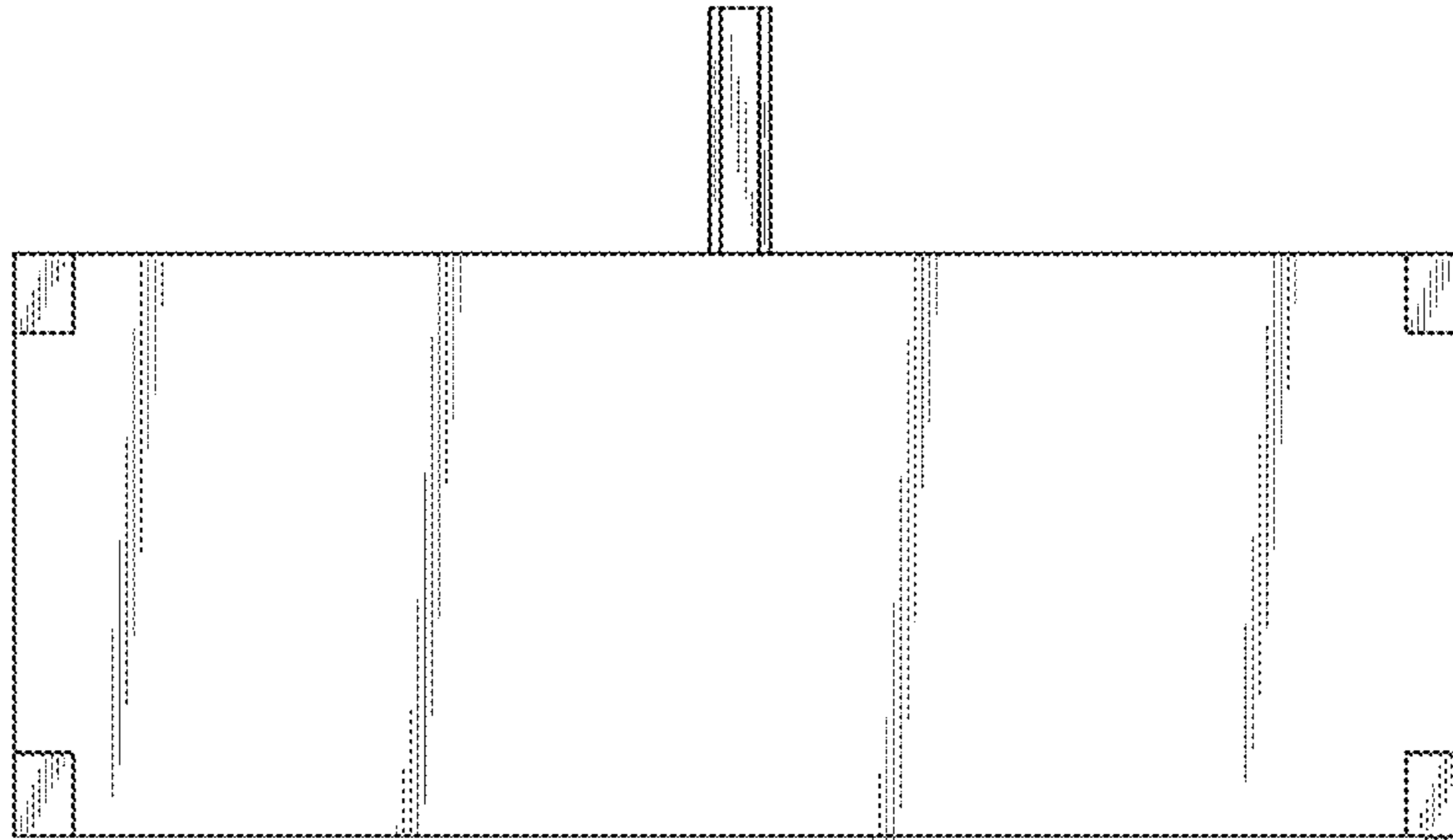


FIG. 7