



US00D879708S

(12) **United States Design Patent** (10) **Patent No.:** **US D879,708 S**
Chen (45) **Date of Patent:** **** Mar. 31, 2020**

(54) **BATTERY FOR ELECTRONIC CIGARETTE**
(71) Applicant: **SHENZHEN SMOORE TECHNOLOGY LIMITED**, Shenzhen (CN)
(72) Inventor: **Zhiping Chen**, Shenzhen (CN)
(73) Assignee: **SHENZHEN SMOORE TECHNOLOGY LIMITED**, Shenzhen (CN)

(**) Term: **15 Years**

(21) Appl. No.: **29/606,460**

(22) Filed: **Jun. 5, 2017**

(30) **Foreign Application Priority Data**

Feb. 23, 2017 (CN) 2017 3 0049065

(51) **LOC (12) Cl.** **13-02**

(52) **U.S. Cl.**
USPC **D13/108; D27/194**

(58) **Field of Classification Search**
USPC D13/102-106, 110, 118-121, 184, 199;
D27/172, 193, 194
CPC Y02E 60/12; Y02E 60/122; Y02E 60/124;
Y02E 60/50; H01M 2/02; H01M 2/022;
H01M 2/0202; H01M 2/0207; H01M
2/0212; H01M 2/1061; H01M 2/1022;
H01M 2/1055; H01M 2/1066; H01M
2/105; H01M 2/204; H01M 10/4257;
H01M 10/0436; H01M 10/48

See application file for complete search history.

(56) **References Cited**

U.S. PATENT DOCUMENTS

4,993,435 A *	2/1991	McCann	A24F 13/00
				131/175
D539,734 S *	4/2007	Brady	D13/110
D773,116 S *	11/2016	Liu	D27/167
D818,946 S *	5/2018	Liu	D13/103
D842,237 S *	3/2019	Qiu	D13/103
D842,238 S *	3/2019	Qiu	D13/103
D844,240 S *	3/2019	Kauss	D27/194

* cited by examiner

Primary Examiner — Rosemary K Tarcza

(74) *Attorney, Agent, or Firm* — Ladas & Parry LLP

(57) **CLAIM**

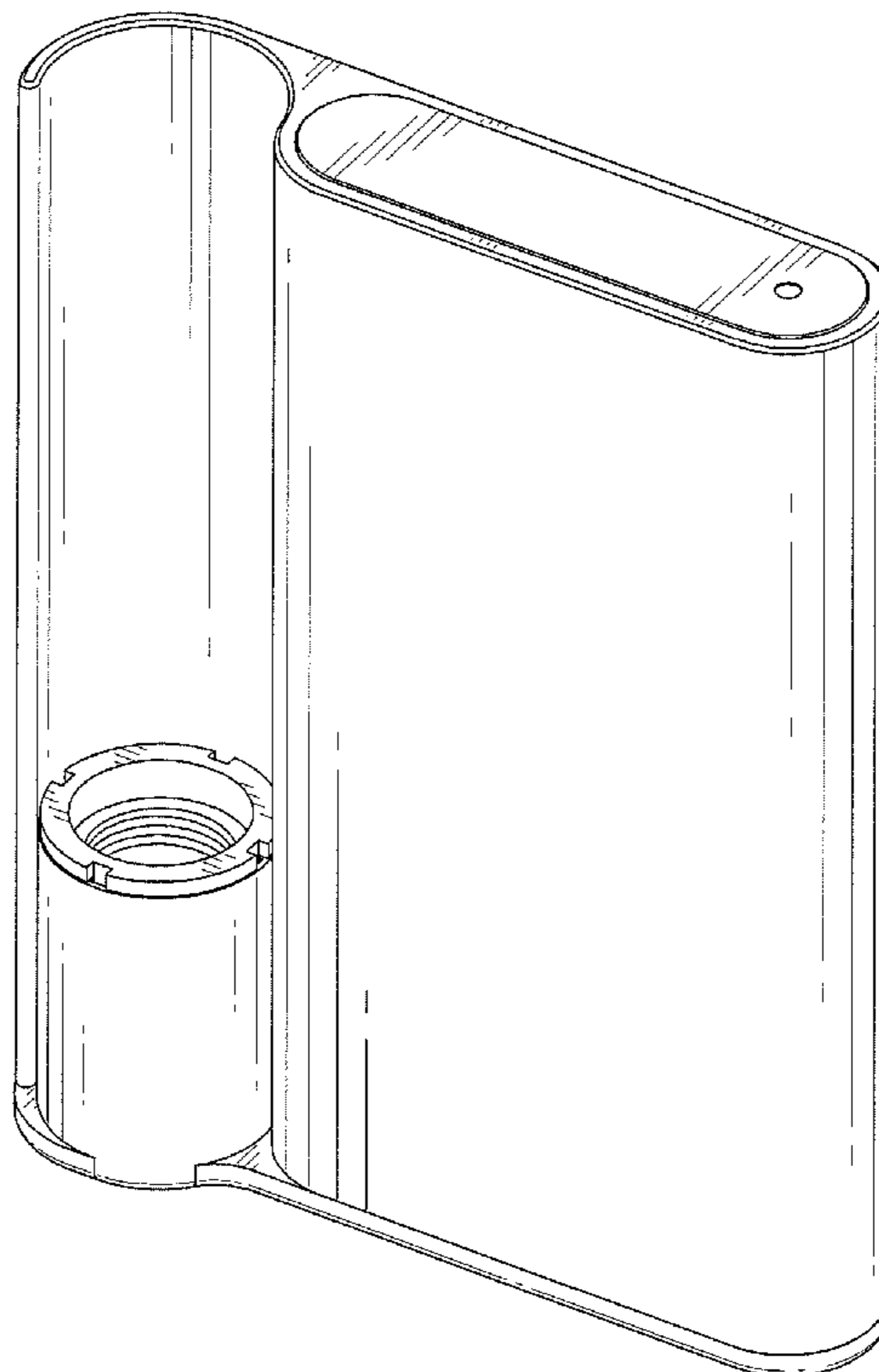
The ornamental design for a battery for electronic cigarette, as shown and described.

DESCRIPTION

FIG. 1 is a front elevational view of a battery for electronic cigarette showing my new design;
FIG. 2 is a rear elevational view thereof;
FIG. 3 is a left side elevational view thereof;
FIG. 4 is a right side elevational view thereof;
FIG. 5 is a top plan view thereof;
FIG. 6 is a bottom plan view thereof; and,
FIG. 7 is a perspective view thereof.

Broken lines shown in the drawings are for the purpose of illustrating portions of the battery for electronic cigarette that form no part of the claimed design.

1 Claim, 7 Drawing Sheets



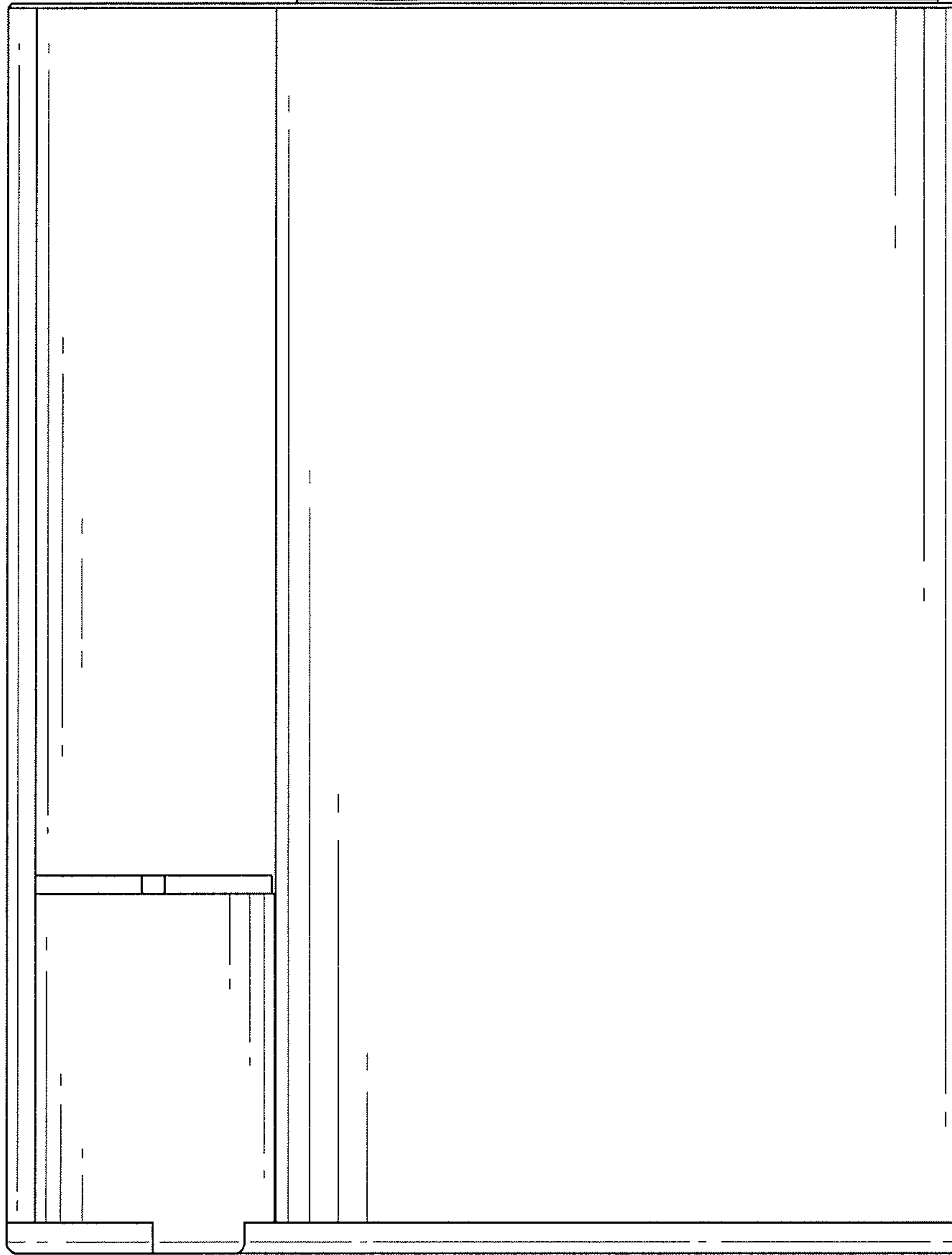


FIG. 1

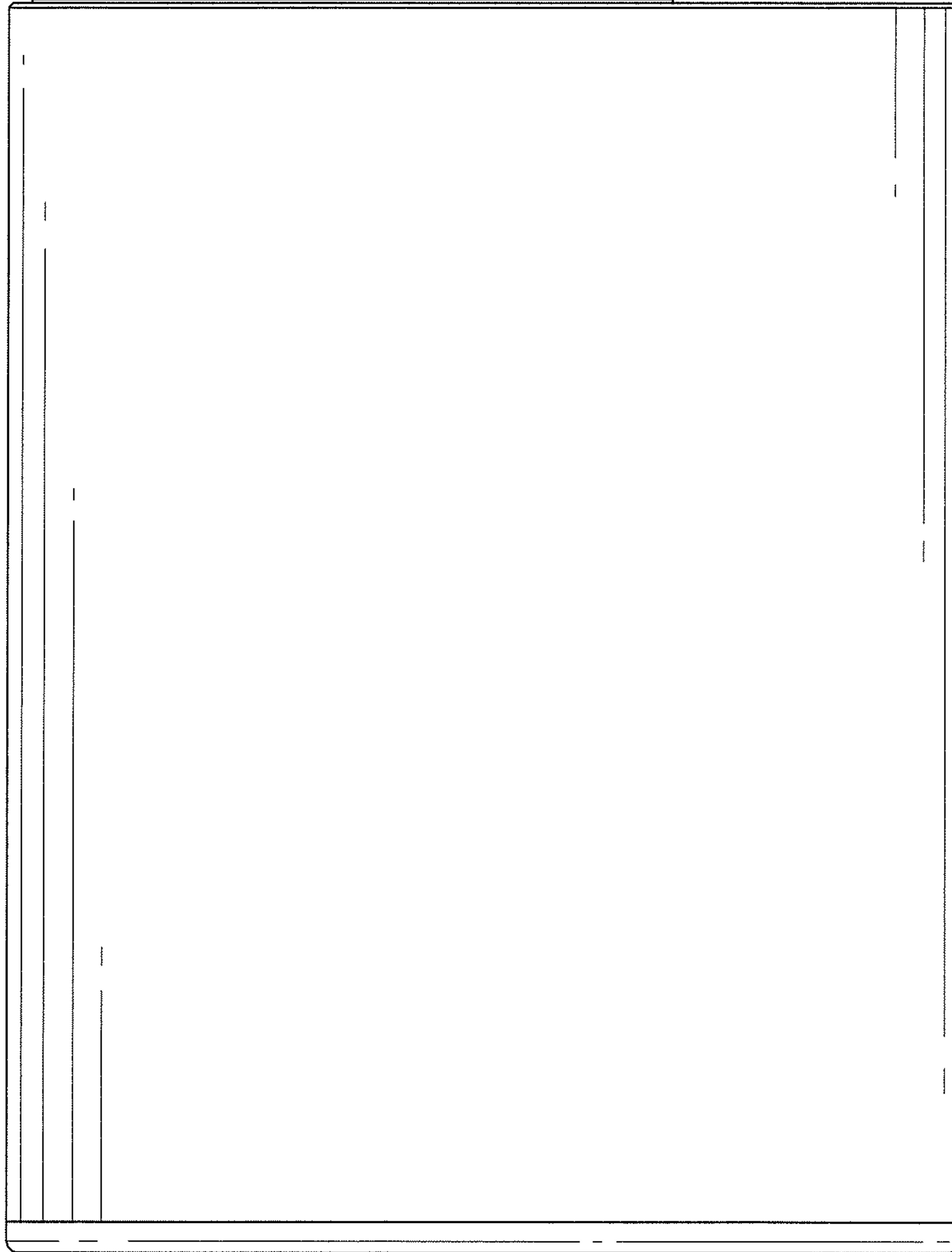


FIG. 2

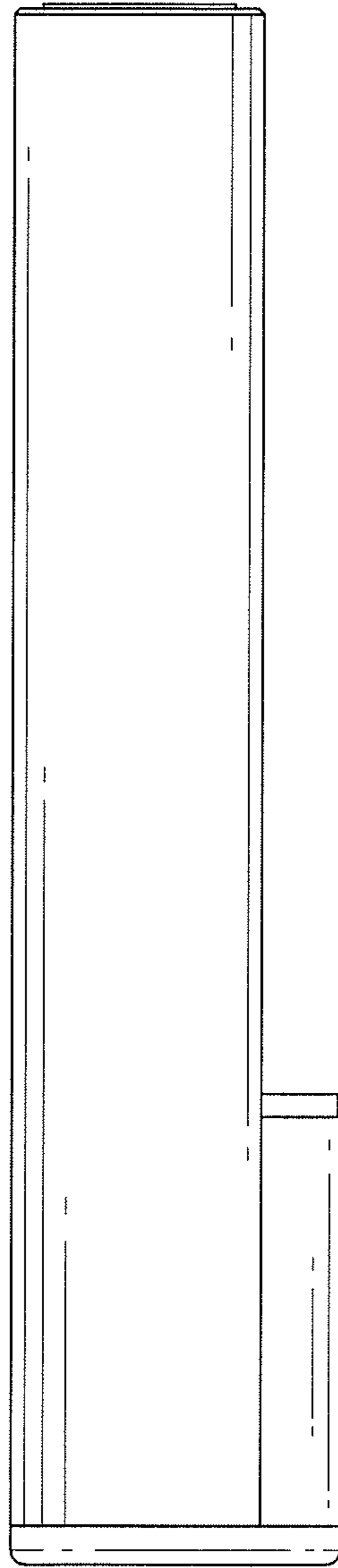


FIG. 3

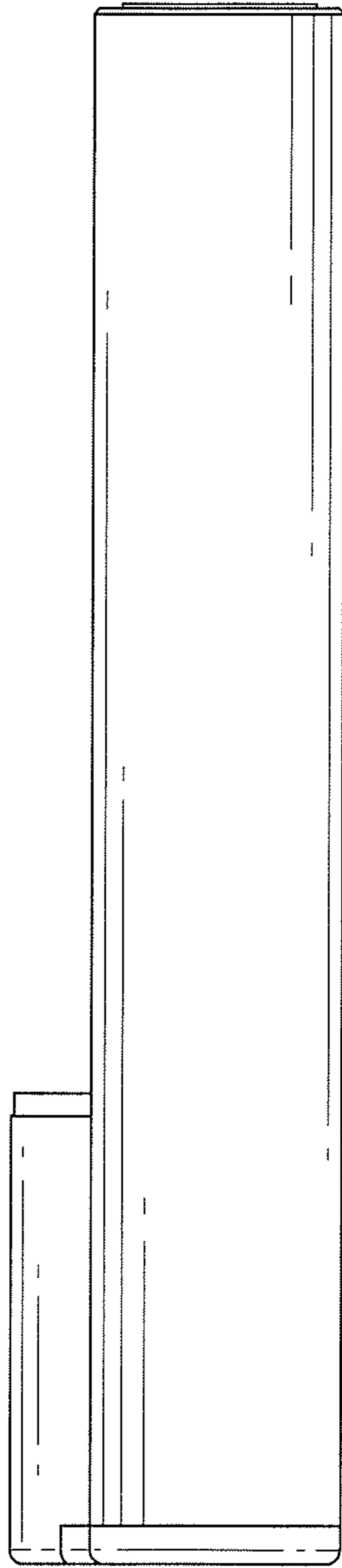


FIG. 4

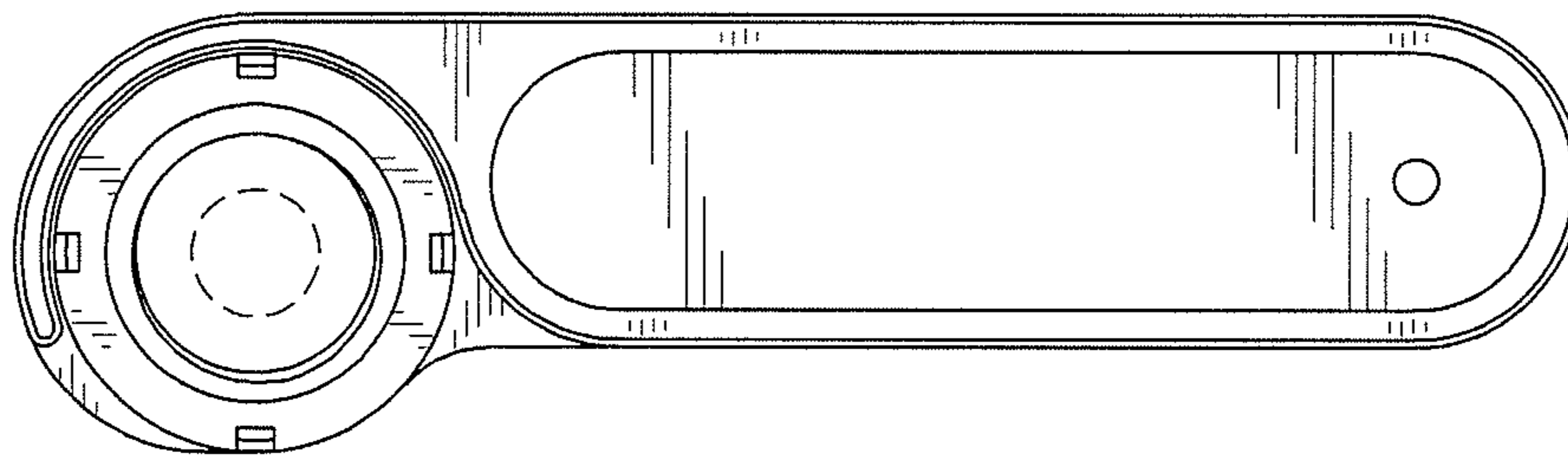


FIG. 5

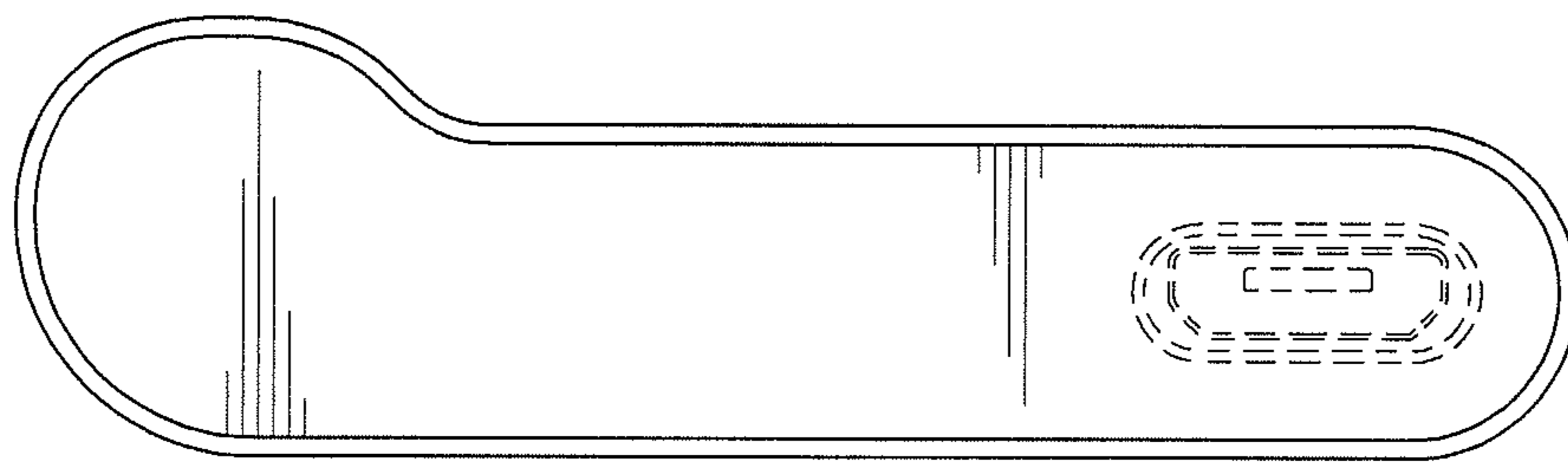


FIG. 6

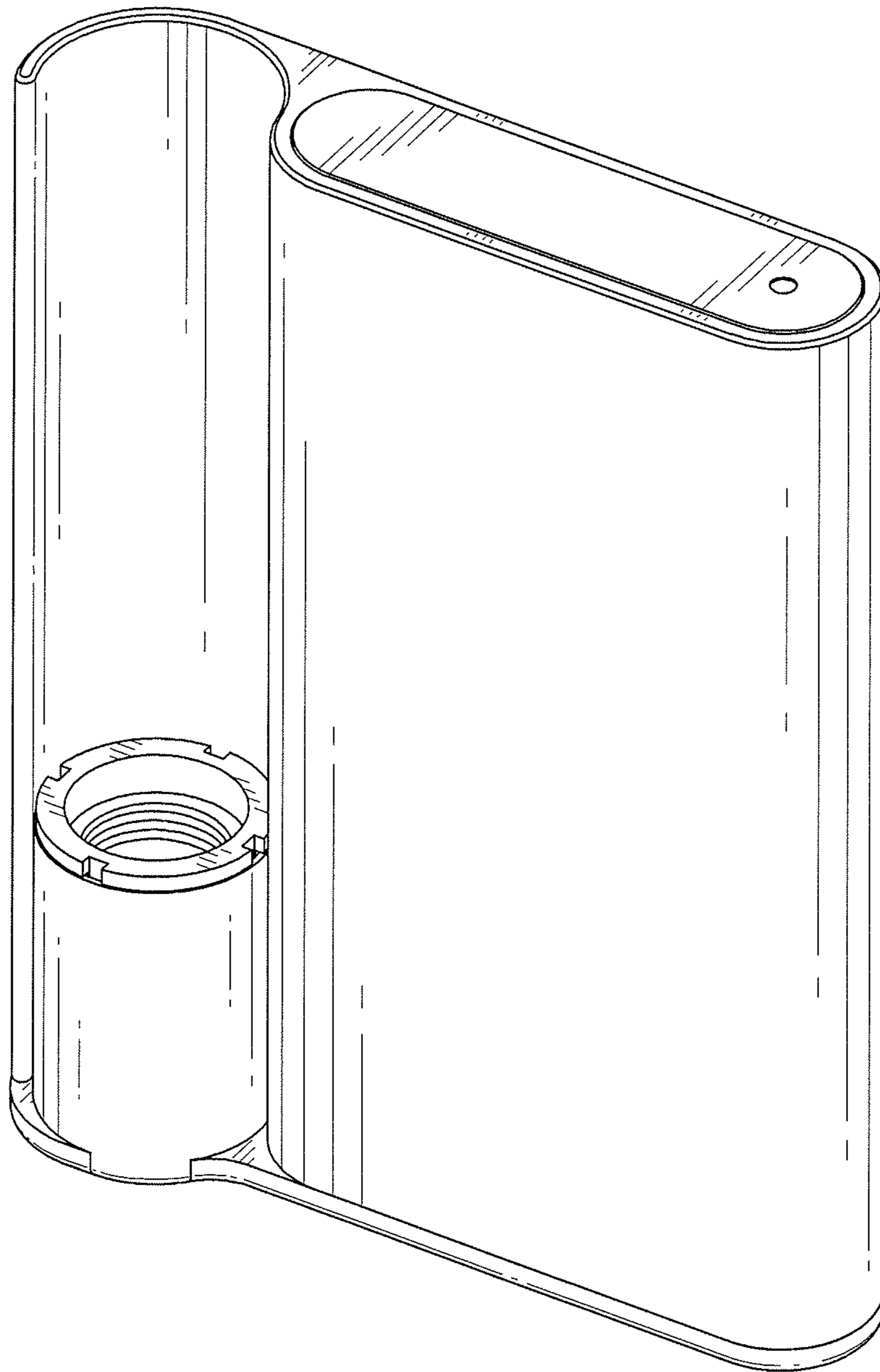


FIG. 7