



US00D879707S

(12) **United States Design Patent**
Chuang et al.

(10) **Patent No.:** **US D879,707 S**
(45) **Date of Patent:** **** Mar. 31, 2020**

(54) **BATTERY POSITIONER**

(71) Applicant: **KWANG YANG MOTOR CO., LTD.**,
Kaohsiung (TW)

(72) Inventors: **Ping-Huan Chuang**, Kaohsiung (TW);
Yu-Jiun Tsai, Kaohsiung (TW)

(73) Assignee: **KWANG YANG MOTOR CO., LTD.**,
Kaohsiung (TW)

(**) Term: **15 Years**

(21) Appl. No.: **29/661,826**

(22) Filed: **Aug. 31, 2018**

(30) **Foreign Application Priority Data**

Mar. 12, 2018 (TW) 107301392

(51) **LOC (12) Cl.** **13-02**

(52) **U.S. Cl.**
USPC **D13/103**

(58) **Field of Classification Search**
USPC D13/103, 104, 106, 107, 110, 134, 161,
D13/179, 119; D3/273, 321; D7/602,
D7/607, 608, 624.2, 605, 622, 529, 509,
D7/523, 503, 629, 538-548, 630,
D7/612-615, 584, 586, 587; D9/424-432
CPC A47K 10/423; B60L 50/64; B60N 3/105;
B65D 19/16; B65D 21/086; B65D 75/02;
H01M 2/1077; H01M 2/1083; H01M
2/34; H02K 5/00
See application file for complete search history.

(56) **References Cited**

U.S. PATENT DOCUMENTS

D276,401 S * 11/1984 Daenen D7/602
6,413,117 B1 * 7/2002 Annerino H02K 5/00
439/500

D602,740 S * 10/2009 Urquiola D7/509
D614,919 S * 5/2010 Carlson D7/602
D629,746 S * 12/2010 Workman D13/103
D662,783 S * 7/2012 Lee D7/602
D735,660 S * 8/2015 Ferguson D13/107
D848,799 S * 5/2019 Appelbaum D7/624.2
2003/0183628 A1 * 10/2003 Barr B65D 21/086
220/8
2013/0068653 A1 * 3/2013 Lipinski B65D 75/02
206/524.1
2014/0367433 A1 * 12/2014 Rifel B60N 3/105
224/485
2015/0188104 A1 * 7/2015 Templeman H01M 2/1077
429/100
2016/0302627 A1 * 10/2016 Larsson A47K 10/423
2019/0270389 A1 * 9/2019 Chuang B60L 50/64

* cited by examiner

Primary Examiner — Susan E Krakower

Assistant Examiner — Jerry Shiuan-Hua Hsu

(74) *Attorney, Agent, or Firm* — Leong C. Lei

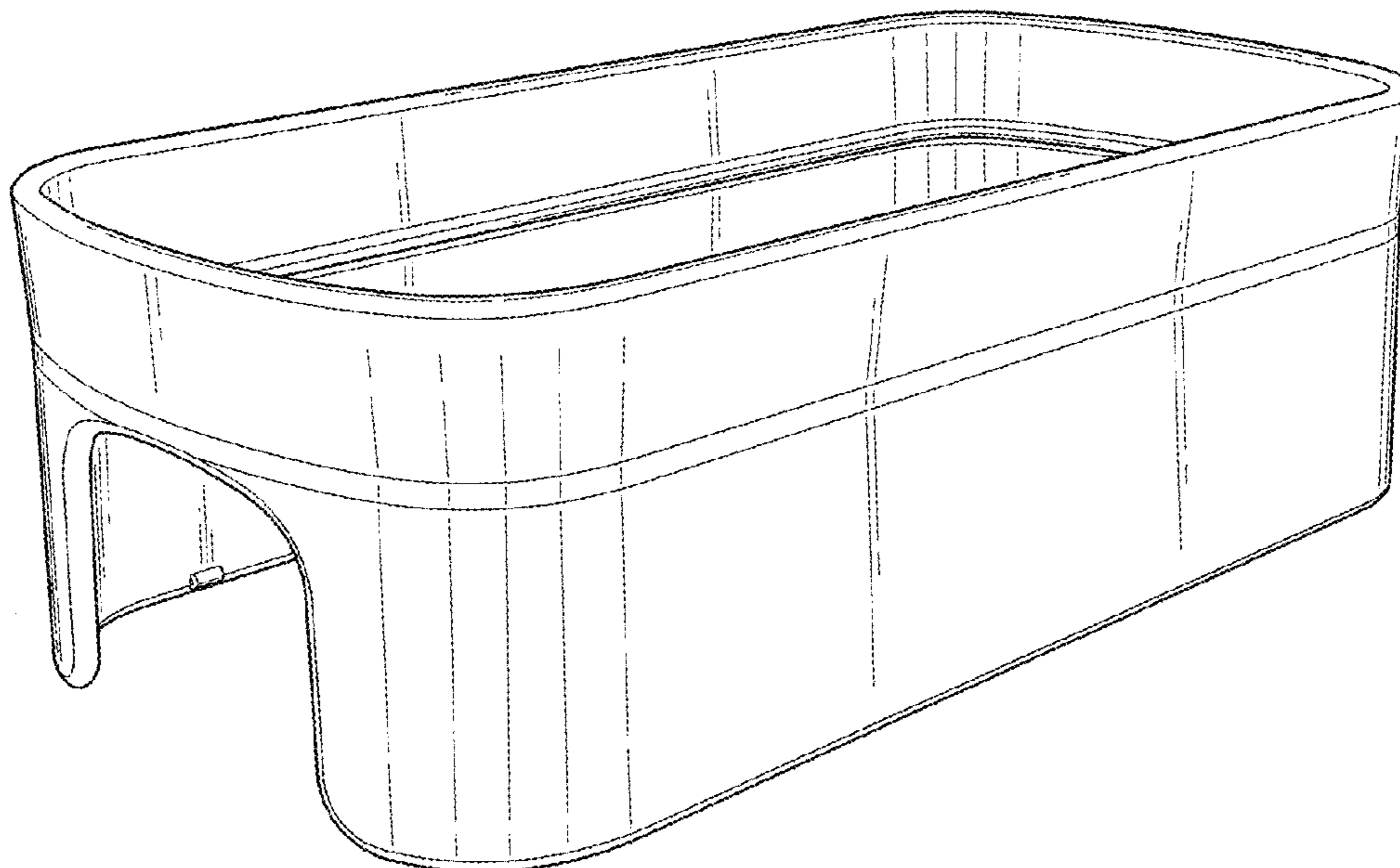
(57) **CLAIM**

The ornamental design for a battery positioner, as shown and described.

DESCRIPTION

FIG. 1 is a perspective view of a battery positioner showing my new design;
FIG. 2 is a front elevational view thereof;
FIG. 3 is a rear elevational view thereof;
FIG. 4 is a left side elevation view thereof;
FIG. 5 is a right side elevation view thereof;
FIG. 6 is a top plan view thereof; and,
FIG. 7 is a bottom plan view thereof.

1 Claim, 7 Drawing Sheets



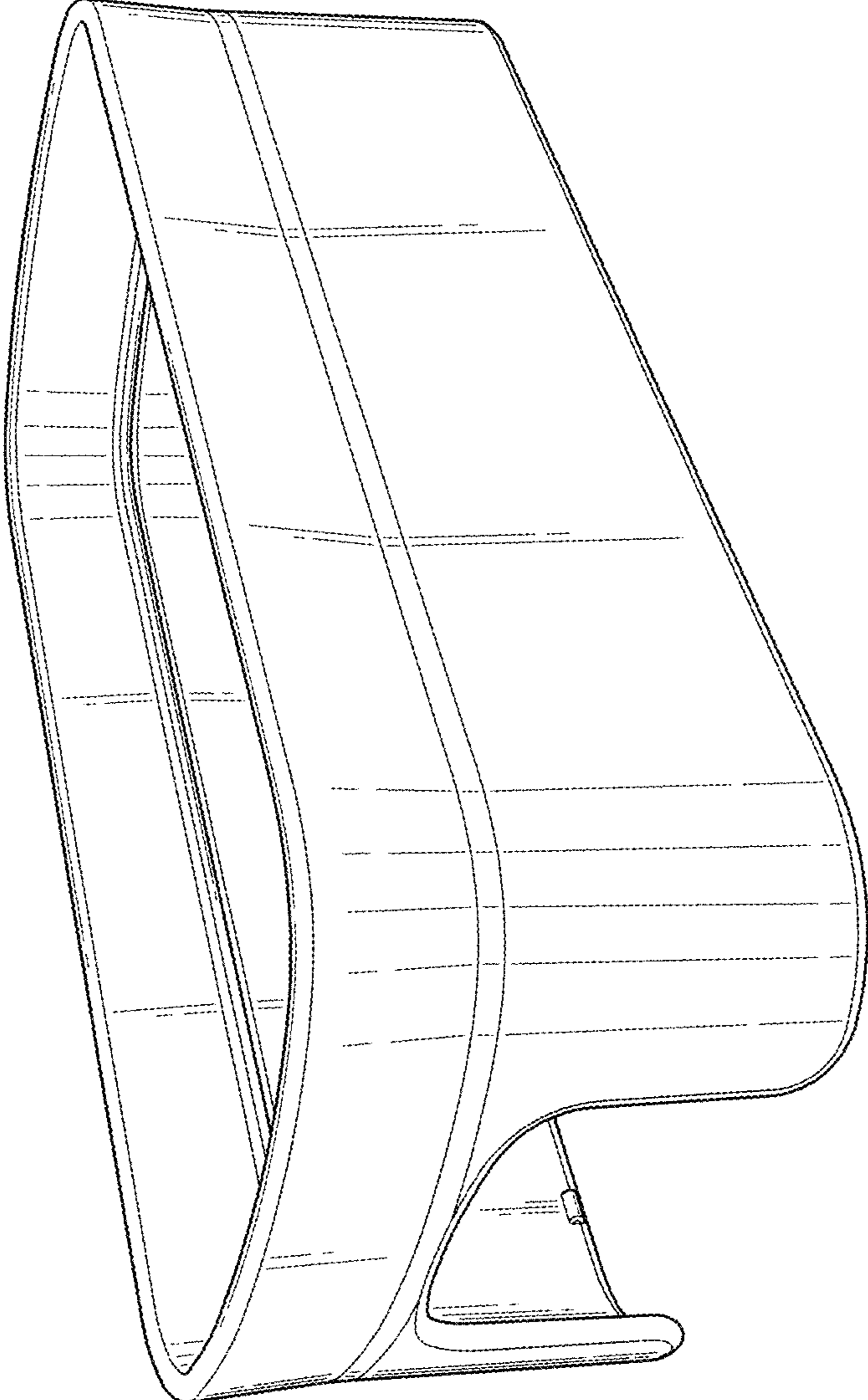


FIG. 1

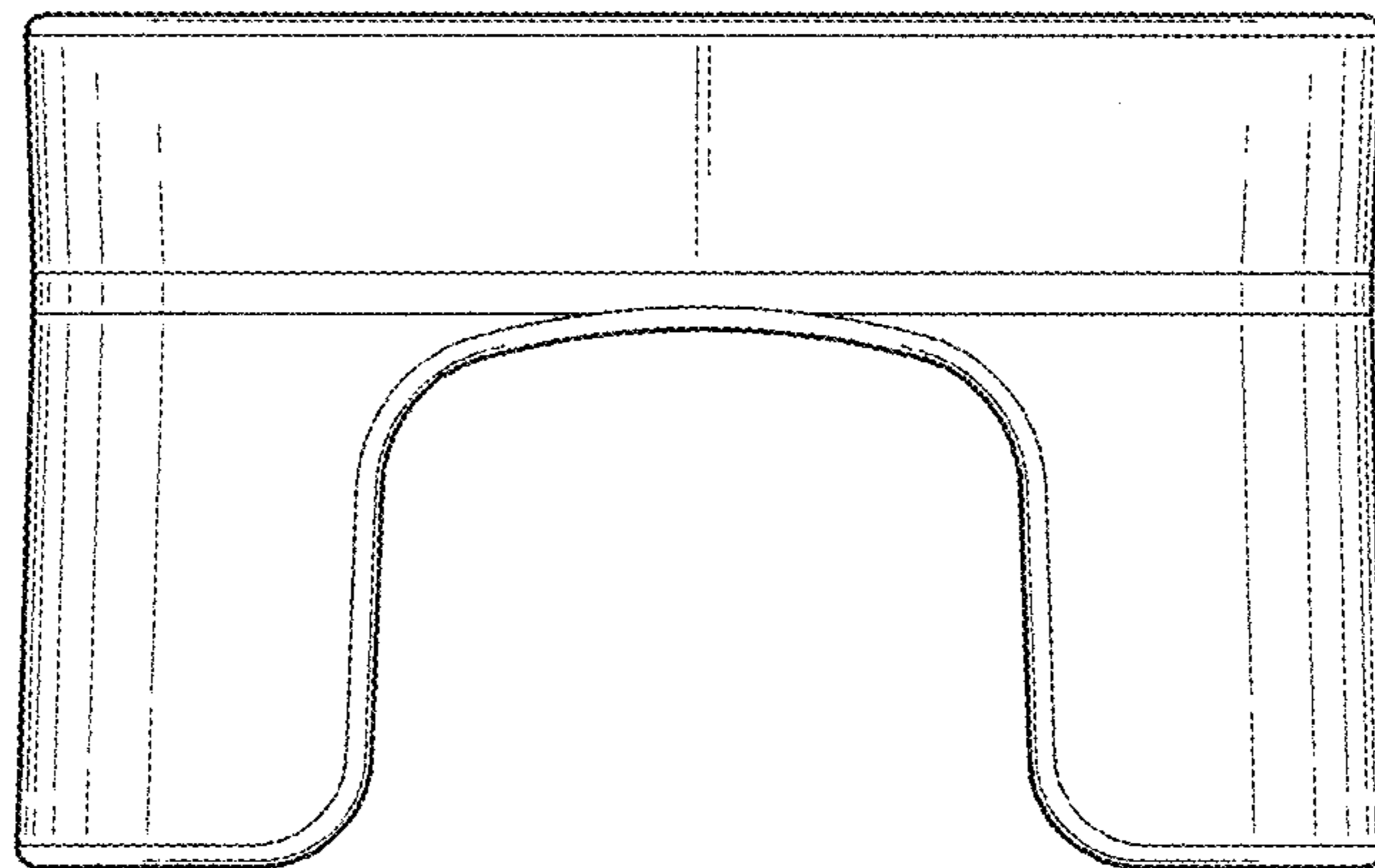


FIG.2

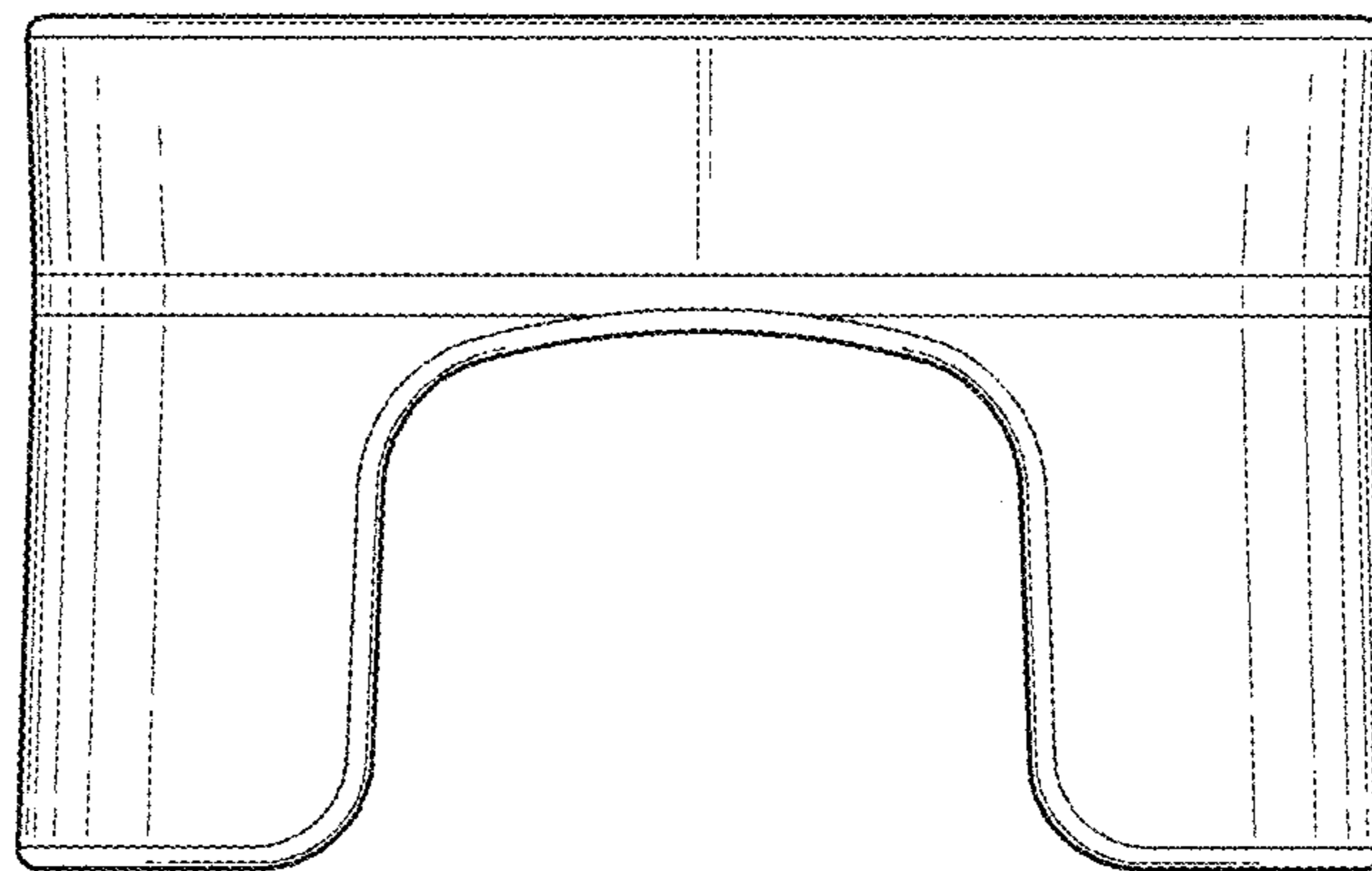


FIG.3

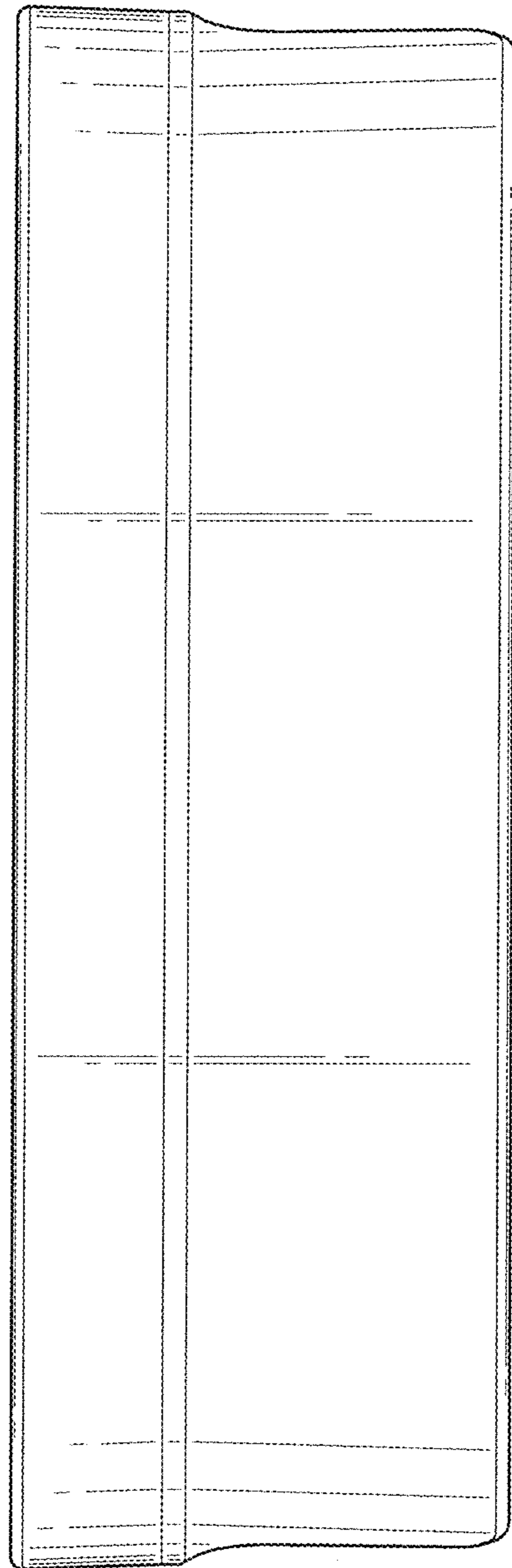


FIG.4

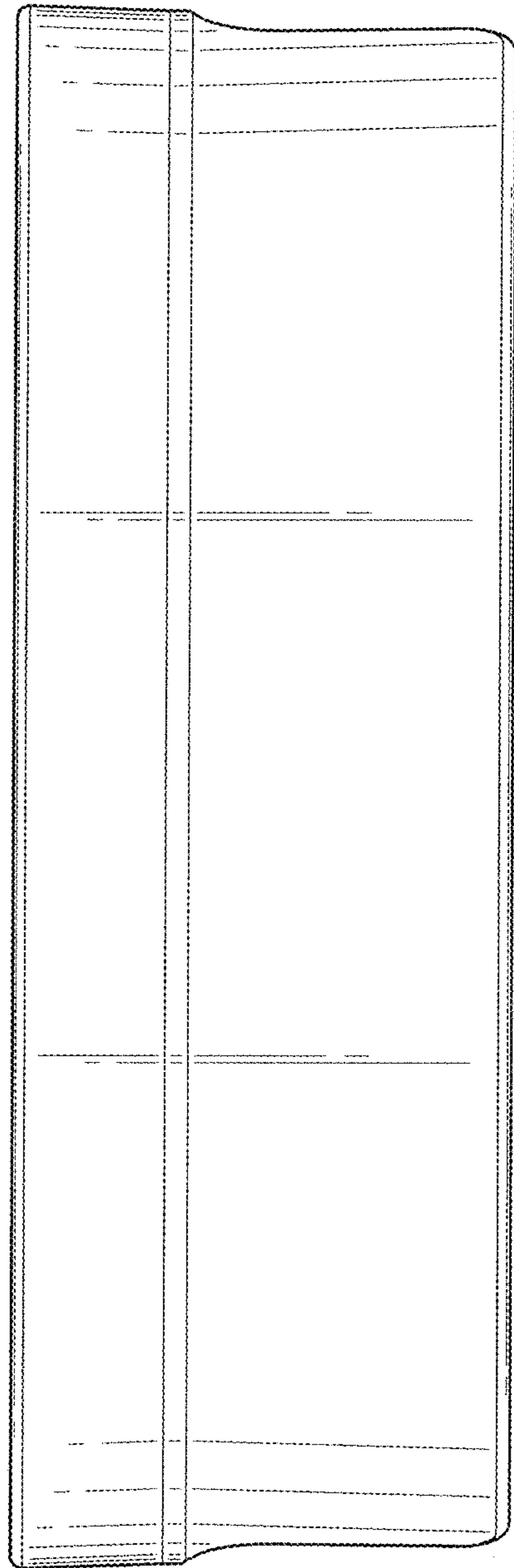


FIG.5

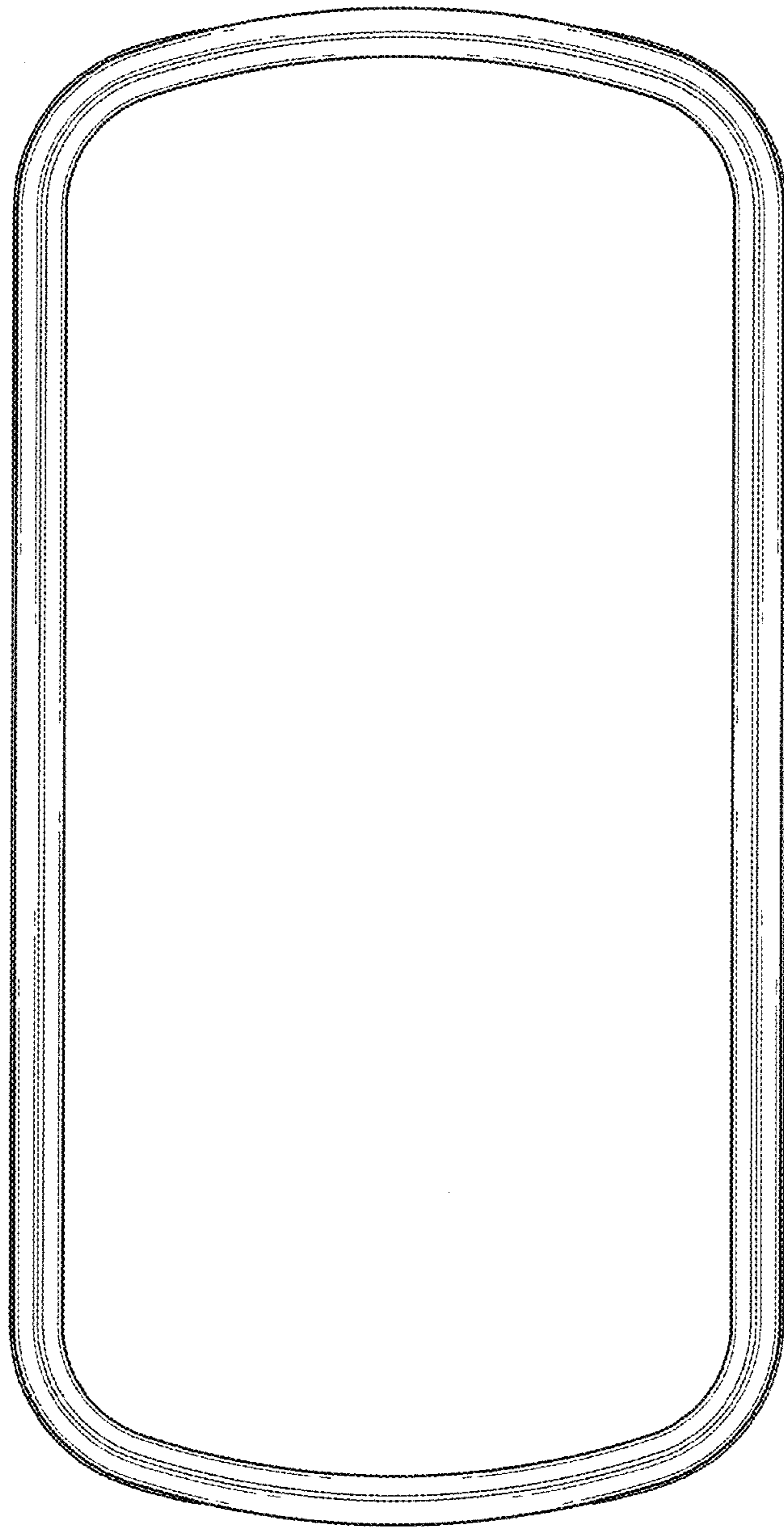


FIG.6

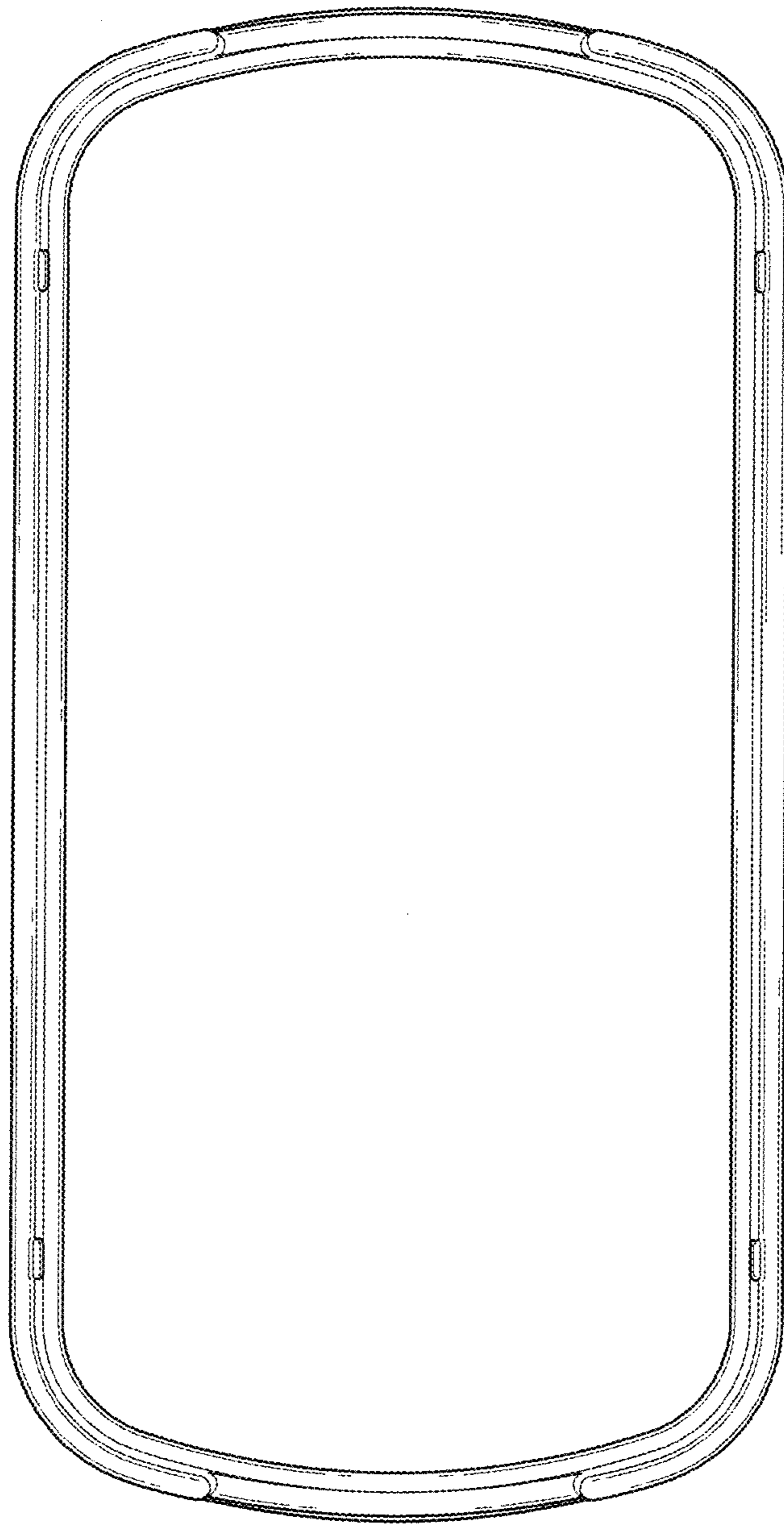


FIG.7