



US00D879704S

(12) **United States Design Patent**
Kasparian et al.

(10) **Patent No.:** **US D879,704 S**
(45) **Date of Patent:** **** Mar. 31, 2020**

- (54) **COCKPIT CENTER CONSOLE**
- (71) Applicant: **Gulfstream Aerospace Corporation**, Savannah, GA (US)
- (72) Inventors: **Aram Kasparian**, Savannah, GA (US); **Andrew Fulford**, Savannah, GA (US); **Tristan Flynn**, Savannah, GA (US)
- (73) Assignee: **Gulfstream Aerospace Corporation**, Savannah, GA (US)
- (**) Term: **15 Years**

D628,199 S	11/2010	Yukikado	
D640,180 S	6/2011	Money Penny	
D672,307 S	12/2012	van Holzhausen	
D689,010 S	9/2013	Littlechild	
D694,701 S	12/2013	Ouellette	
D730,805 S	6/2015	Tran	
D734,224 S	7/2015	Tachiiri	
D749,034 S *	2/2016	Kasparian	D12/345
D749,491 S *	2/2016	Kasparian	D12/345
D749,493 S *	2/2016	Kasparian	D12/345
D751,027 S *	3/2016	Kasparian	D12/345
D755,744 S	5/2016	Williams, Jr.	
D759,568 S *	6/2016	Kasparian	D12/345
D759,574 S *	6/2016	Kasparian	D12/415
D760,639 S *	7/2016	Kasparian	D12/345

(Continued)

(21) Appl. No.: **29/618,897**

(22) Filed: **Sep. 25, 2017**

Related U.S. Application Data

(63) Continuation-in-part of application No. 29/582,013, filed on Oct. 24, 2016, now abandoned, which is a continuation of application No. 29/506,134, filed on Oct. 13, 2014, now abandoned.

(51) **LOC (12) Cl.** **12-07**

(52) **U.S. Cl.**
USPC **D12/415; D12/345**

(58) **Field of Classification Search**
USPC D12/319-345, 16.1, 1-4, 415;
D21/436-455
CPC B64C 2201/146; B64C 2201/027; B64C
2201/104; B64C 25/06; B64C 25/24;
B64C 39/04; B64C 5/02
See application file for complete search history.

(56) **References Cited**

U.S. PATENT DOCUMENTS

D553,554 S *	10/2007	Figueiredo	D12/415
D555,392 S	11/2007	Grozinger	
D587,642 S	3/2009	Pugh	
D589,870 S	4/2009	Saint-Jalmes	
D592,126 S	5/2009	da Silveira	

OTHER PUBLICATIONS

USPTO, Office Action in U.S. Appl. No. 29/582,013 dated Sep. 21, 2017.

Primary Examiner — Marissa J Cash

(74) *Attorney, Agent, or Firm* — LKGGlobal | Lorenz & Kopf, LLP

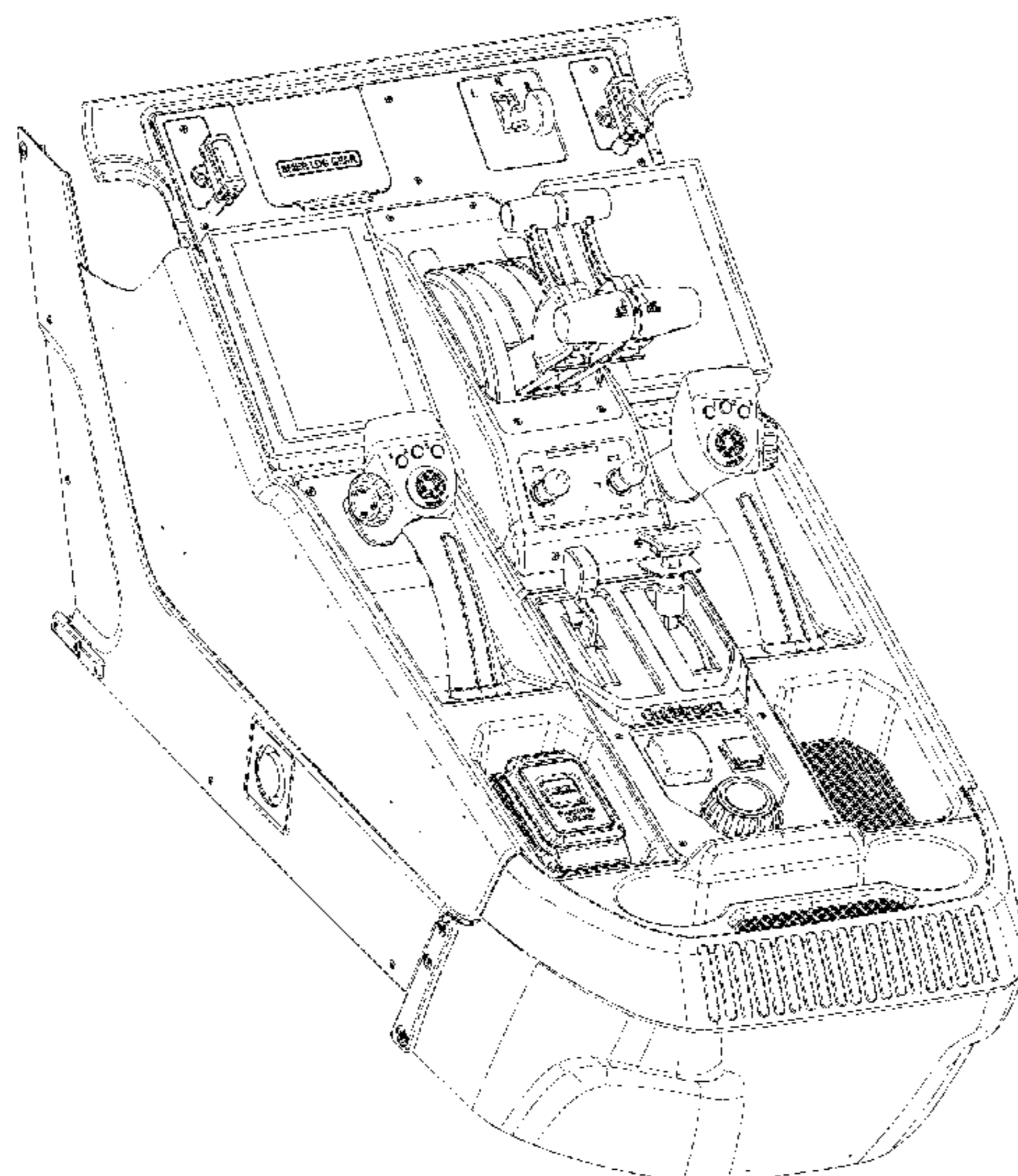
(57) **CLAIM**

The ornamental design for a cockpit center console, as shown and described.

DESCRIPTION

FIG. 1 is a front perspective view of a cockpit center console showing our new design;
FIG. 2 is a front view thereof, shown removed from unclaimed environment for clarity of disclosure, the back view forming no part of the claimed design;
FIG. 3 is a top view thereof;
FIG. 4 is a first side view thereof; and,
FIG. 5 is a second side view thereof.
The broken lines illustrate structure and environment that form no part of the claimed design.

1 Claim, 5 Drawing Sheets



(56)

References Cited

U.S. PATENT DOCUMENTS

D761,188 S *	7/2016	Kasparian	D12/345
D761,901 S	7/2016	Kim	
D762,772 S	8/2016	Tsuruoka	
D763,255 S	8/2016	Lee	
D772,780 S *	11/2016	Kasparian	D12/345
D773,375 S *	12/2016	Kasparian	D12/345
D775,580 S *	1/2017	Kasparian	D12/345
2012/0085870 A1	4/2012	Coote	
2013/0214105 A1	8/2013	Herder	

* cited by examiner

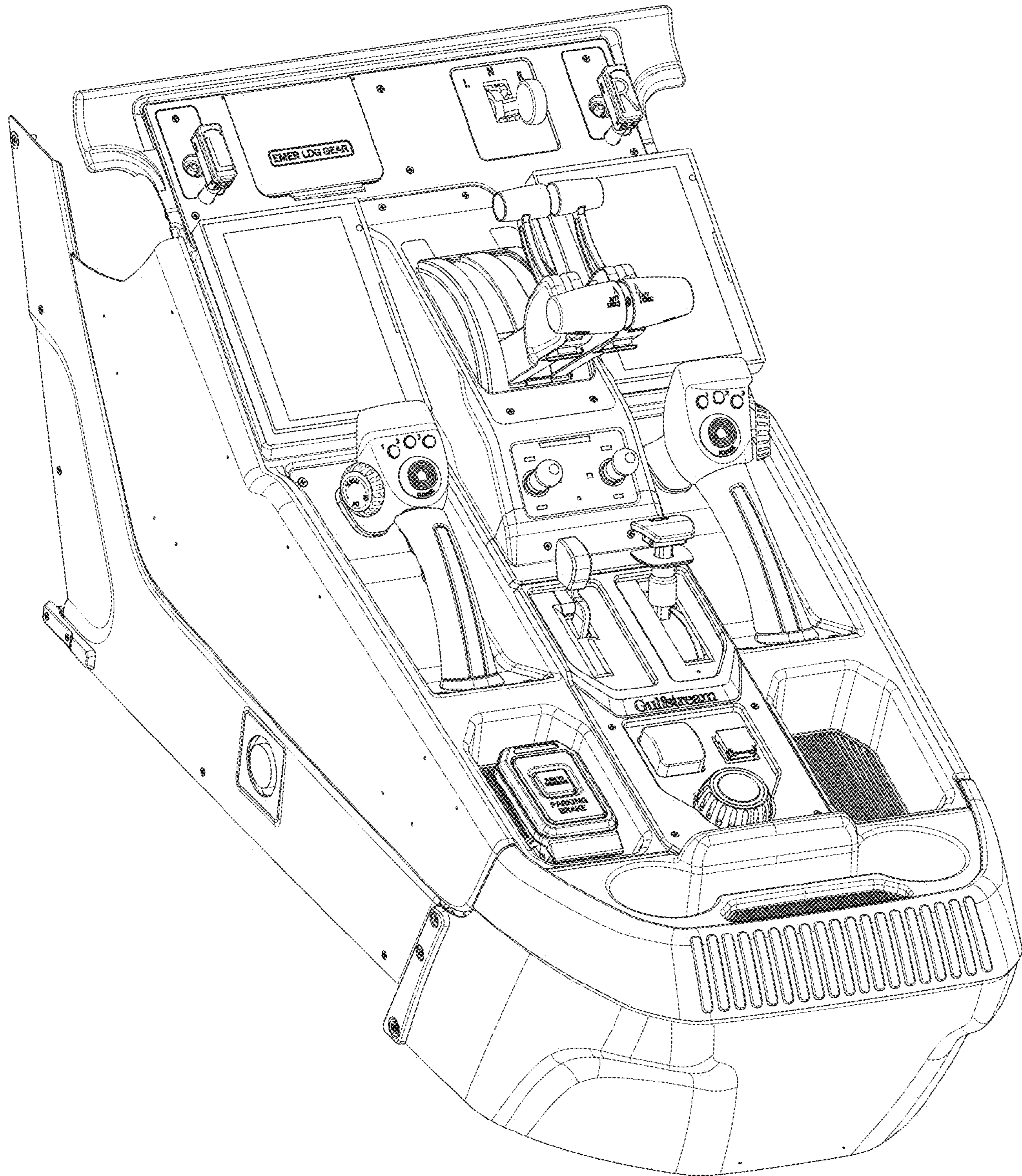


FIG. 1

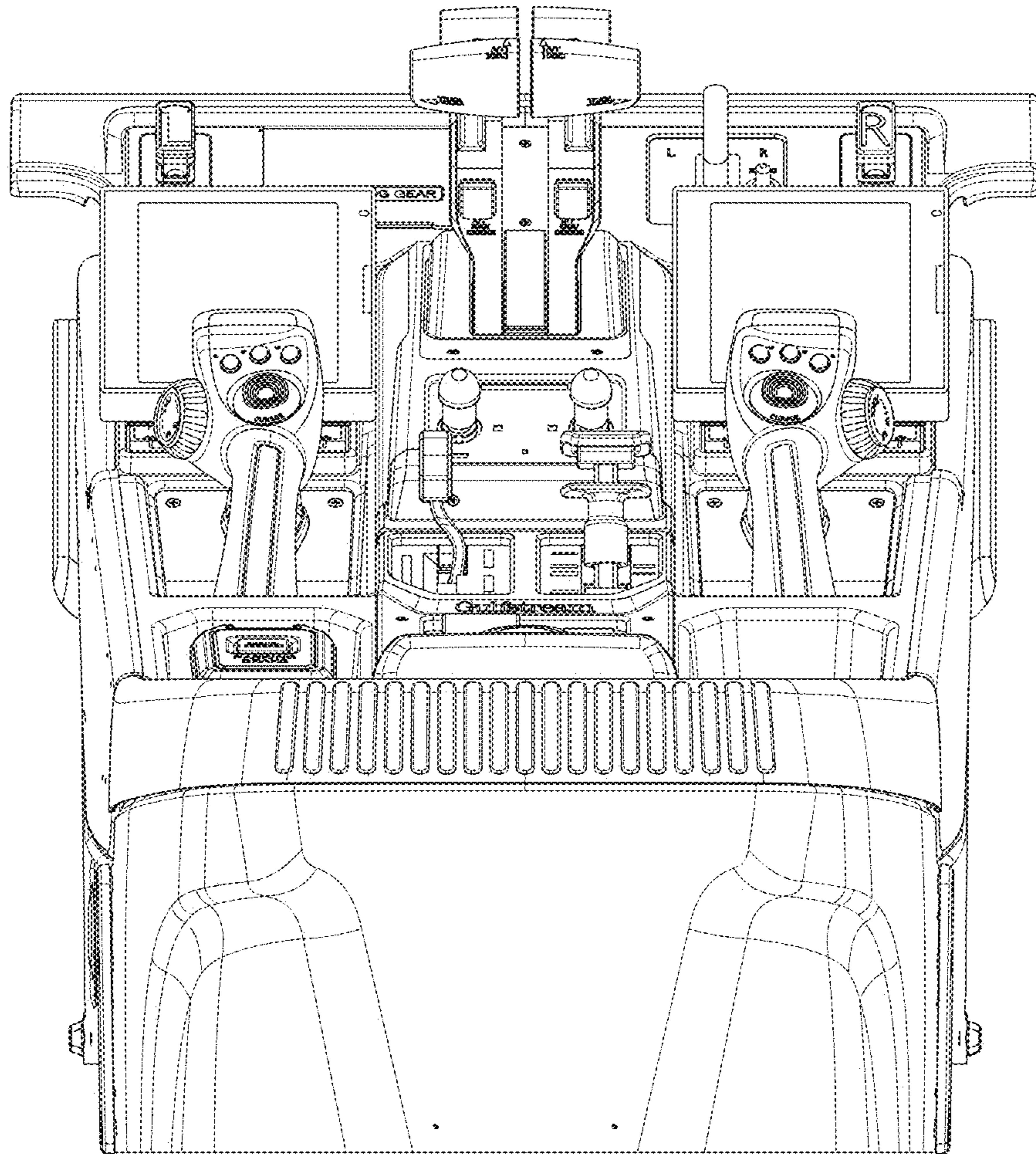


FIG. 2

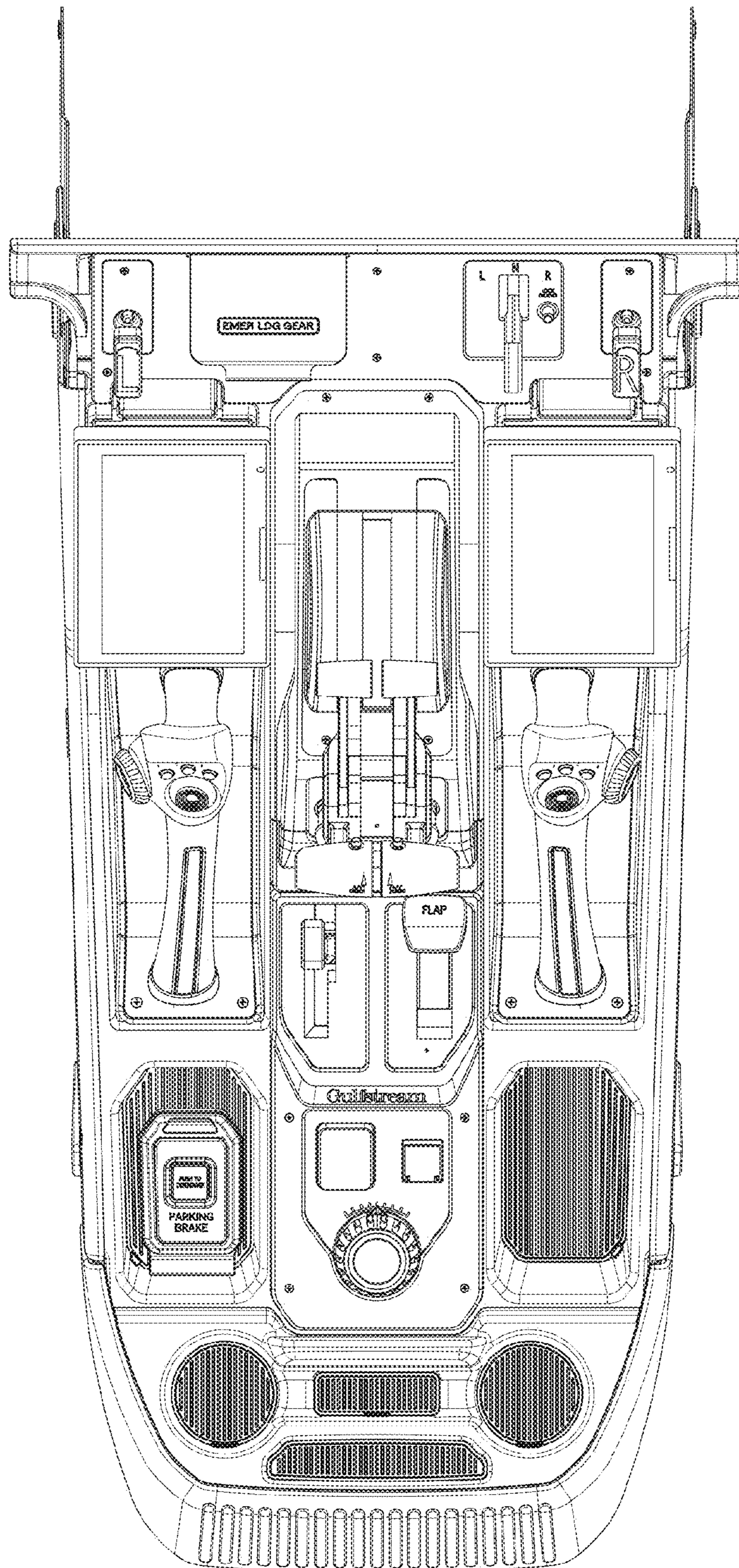


FIG. 3

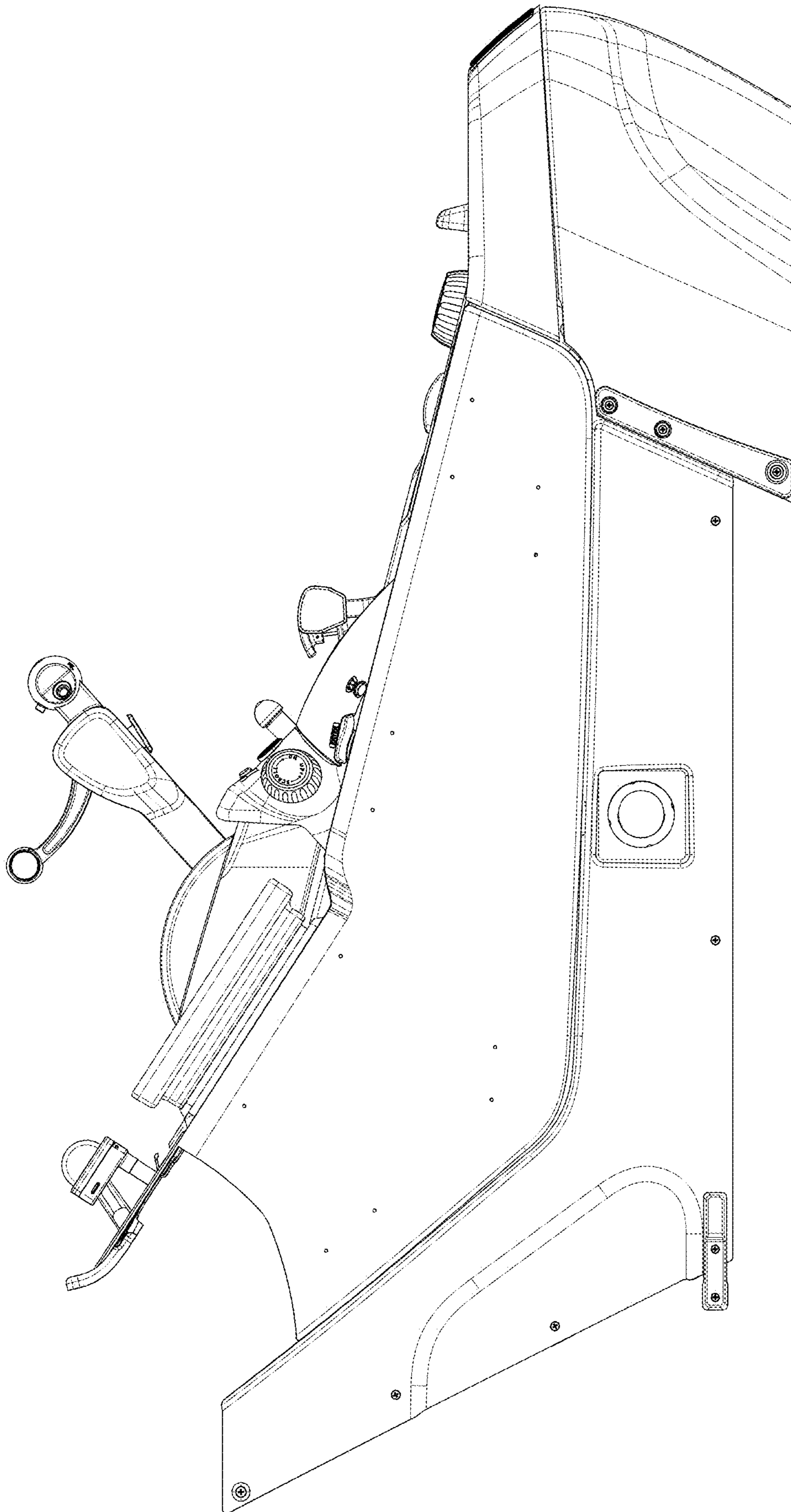


FIG. 4

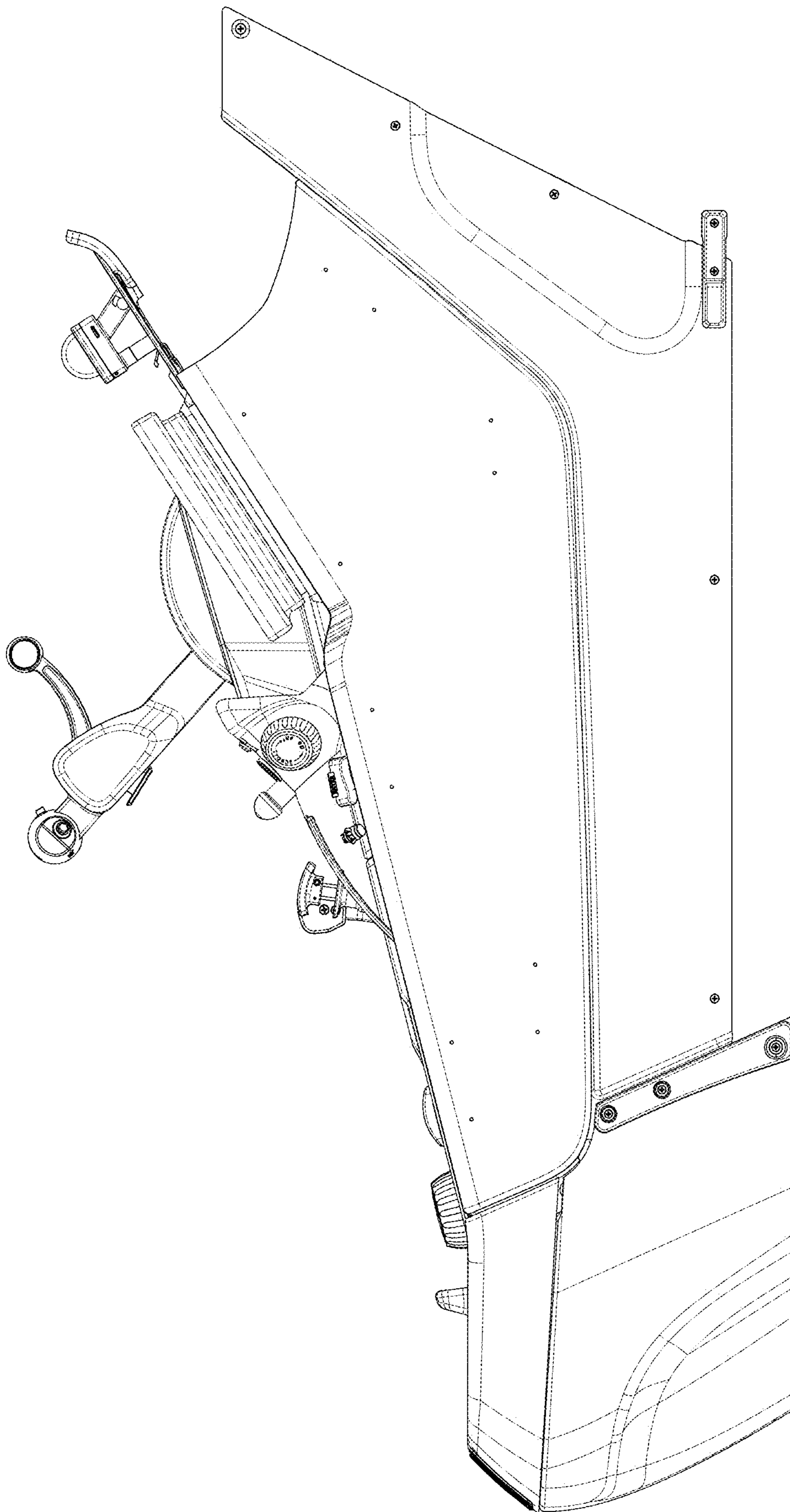


FIG. 5