



US00D879700S

(12) **United States Design Patent**
Managi

(10) **Patent No.:** **US D879,700 S**

(45) **Date of Patent:** **** Mar. 31, 2020**

(54) **ARM HEAD OF WIPER BLADE FOR VEHICLE**

(71) Applicant: **MITSUBA CORPORATION**, Gunma (JP)

(72) Inventor: **Nobukazu Managi**, Kiryu (JP)

(73) Assignee: **Mitsuba Corporation**, Gunma (JP)

(**) Term: **15 Years**

(21) Appl. No.: **35/506,438**

(22) Filed: **Sep. 11, 2018**

(80) **Hague Agreement Data**

Int. Filing Date: **Sep. 11, 2018**

Int. Reg. No.: **DM/103262**

Int. Reg. Date: **Sep. 11, 2018**

Int. Reg. Pub. Date: **Mar. 15, 2019**

(30) **Foreign Application Priority Data**

Mar. 16, 2018 (JP) 2018-005640

(51) **LOC (12) Cl.** **12-06**

(52) **U.S. Cl.**
USPC **D12/220**

(58) **Field of Classification Search**

USPC D12/219, 220

CPC B60S 1/4016; B60S 1/3848; B60S 1/3849;
B60S 2001/4012

See application file for complete search history.

(56) **References Cited**

U.S. PATENT DOCUMENTS

2,056,777 A * 10/1936 Evans B60S 1/38
15/250.33

2,240,369 A * 4/1941 Horton B60S 1/4006
15/250.33

2,677,143 A * 5/1954 Blaney B60S 1/3805
15/250.06
D395,865 S * 7/1998 Powell D12/220
D545,752 S * 7/2007 Boland D12/220
D547,713 S * 7/2007 Goeller D12/220
D592,120 S * 5/2009 Grasso D12/220
D597,465 S * 8/2009 Grasso D12/220

(Continued)

Primary Examiner — Darlington Ly

(74) *Attorney, Agent, or Firm* — Wood Herron & Evans
LLP

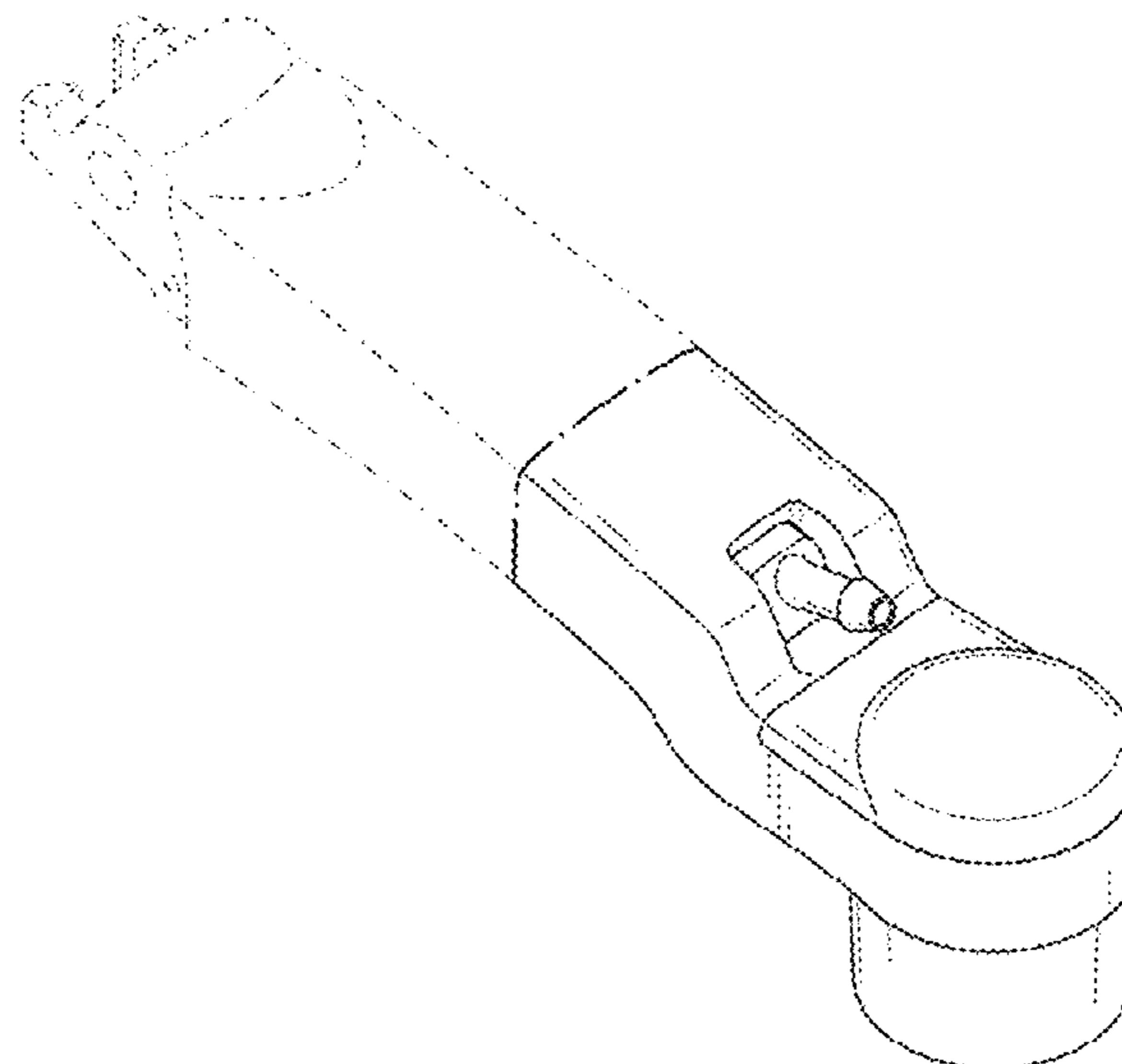
(57) **CLAIM**

The ornamental design for an arm head of wiper blade for vehicle, as shown and described.

DESCRIPTION

1. Arm head of wiper blade for vehicle
1.1 is a top, front, and right side perspective view of an arm head of wiper blade for vehicle showing my new design;
1.2 is a bottom, rear, and left side perspective view thereof;
1.3 is a front elevation view thereof;
1.4 is a rear elevation view thereof;
1.5 is a top plan view thereof;
1.6 is a bottom plan view thereof;
1.7 is a right side elevation view thereof;
1.8 is a left side elevation view thereof;
1.9 is a cross-sectional view thereof taken along the dash-dot broken lines; and
1.10 is a cross-sectional view thereof taken along a vertical plane at the center of reproduction **1.7**.
No protection is sought for the matters shown in broken lines and dash-dot lines on the reproductions; the dash-dot lines show boundaries between the parts seeking the protection and the other parts; the line shadings on the reproductions represent contours according to the drawing convention and do not illustrate surface ornamentation or decoration; reproduction **1.9** is an enlarged cross-sectional view taken along the dash-dot lines; reproduction **1.10** is a cross-sectional view vertically taken along the center of reproduction **1.7**.

1 Claim, 10 Drawing Sheets



(56)

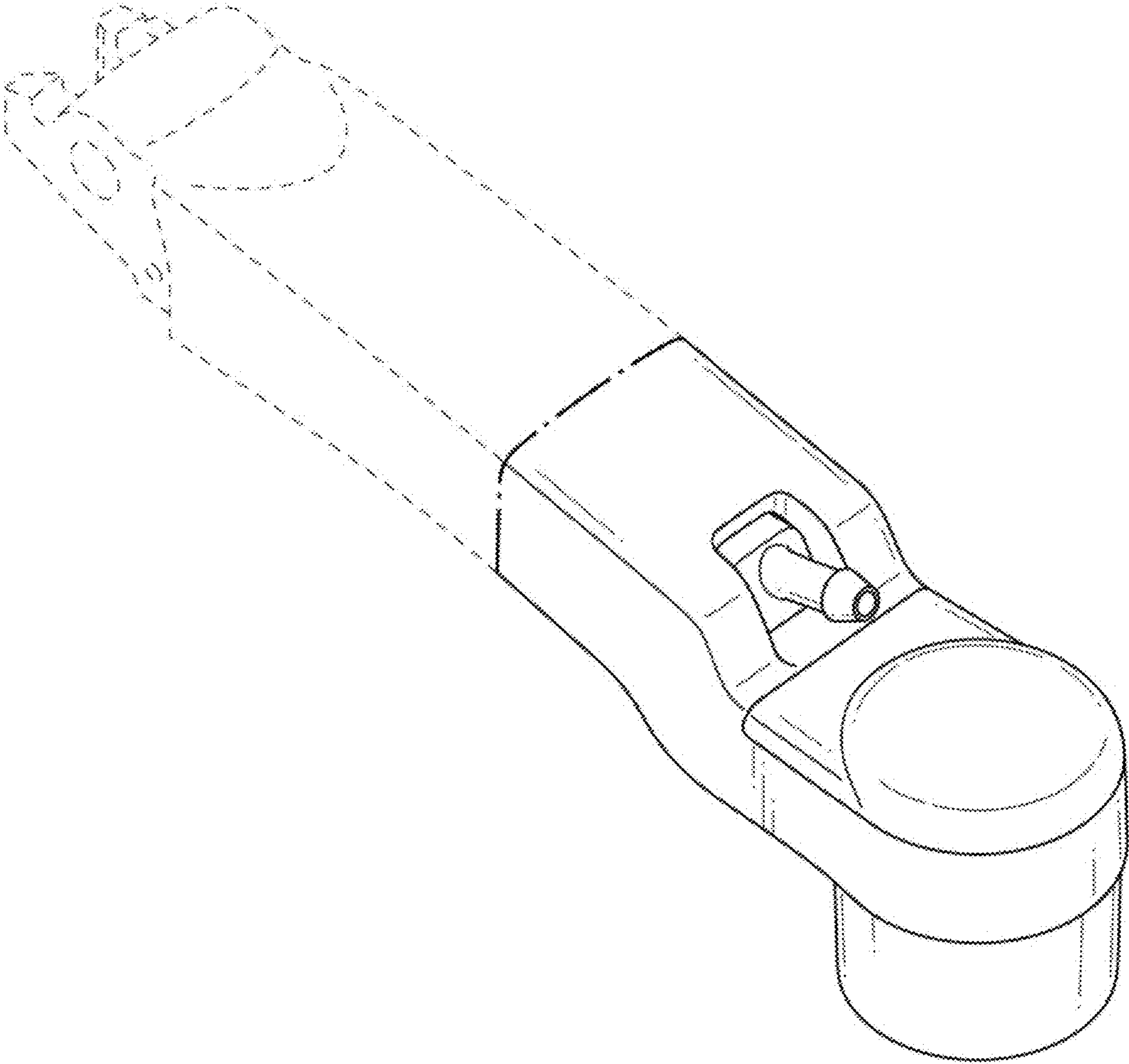
References Cited

U.S. PATENT DOCUMENTS

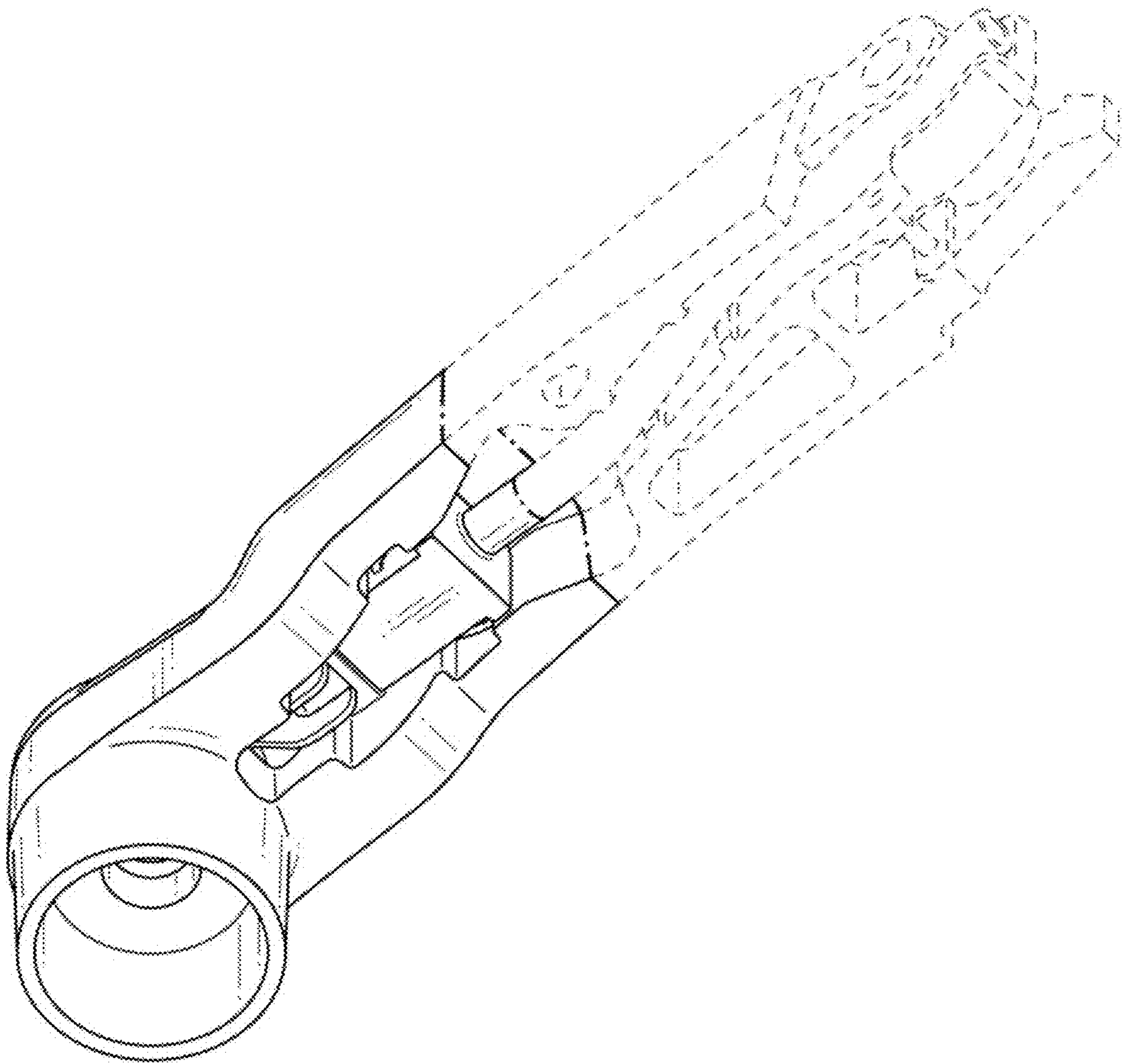
D597,466	S	*	8/2009	Grasso	D12/220
D597,468	S	*	8/2009	Grasso	D12/220
D597,469	S	*	8/2009	Grasso	D12/220
D597,470	S	*	8/2009	Grasso	D12/220
D615,918	S	*	5/2010	Kim	D12/219
D621,324	S	*	8/2010	Kim	D12/219
D679,235	S	*	4/2013	Depondt	D12/219
D704,128	S	*	5/2014	Depondt	D12/220
D704,129	S	*	5/2014	Depondt	D12/220
D706,201	S	*	6/2014	Depondt	D12/220
D706,202	S	*	6/2014	Depondt	D12/220
D725,021	S	*	3/2015	Poton	D12/220
D725,022	S	*	3/2015	Poton	D12/220
D725,023	S	*	3/2015	Poton	D12/220
D725,024	S	*	3/2015	Poton	D12/220
D725,025	S	*	3/2015	Poton	D12/220
9,139,165	B2	*	9/2015	Baque	B60S 1/3849
D851,571	S	*	6/2019	Kraemer	D12/219
D851,572	S	*	6/2019	Kraemer	D12/219

* cited by examiner

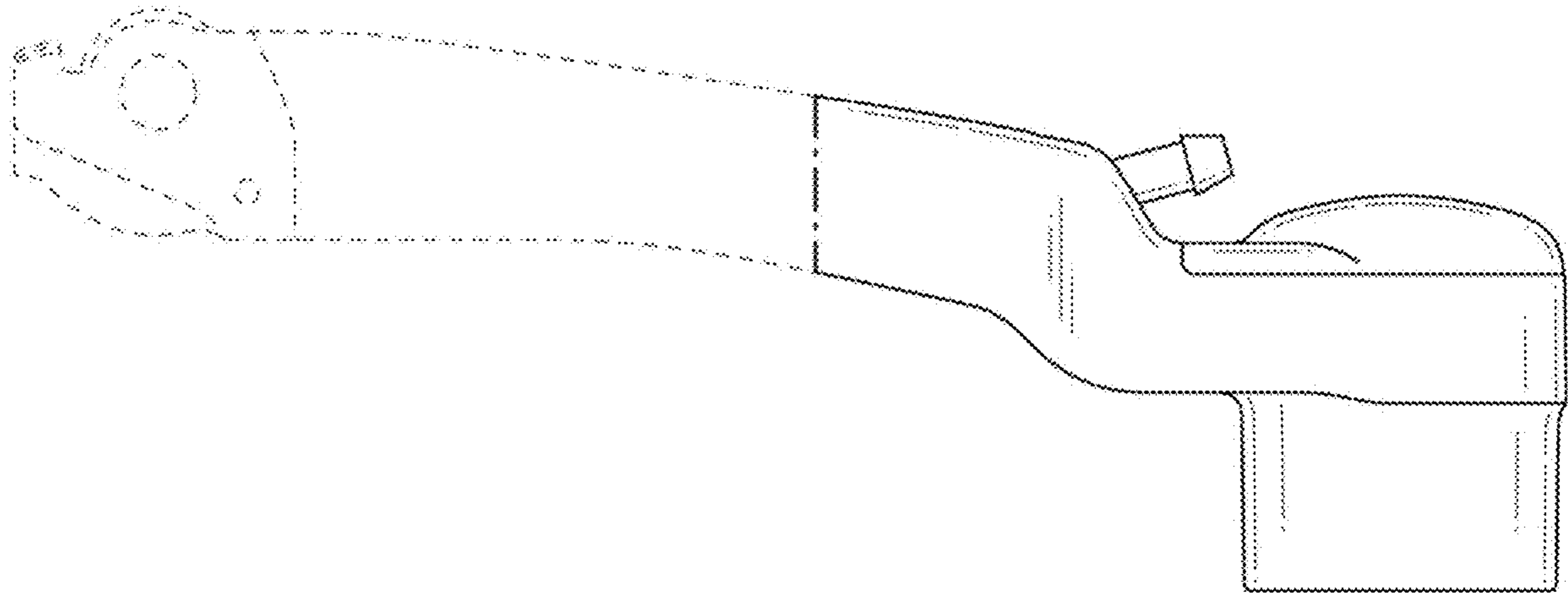
1.1



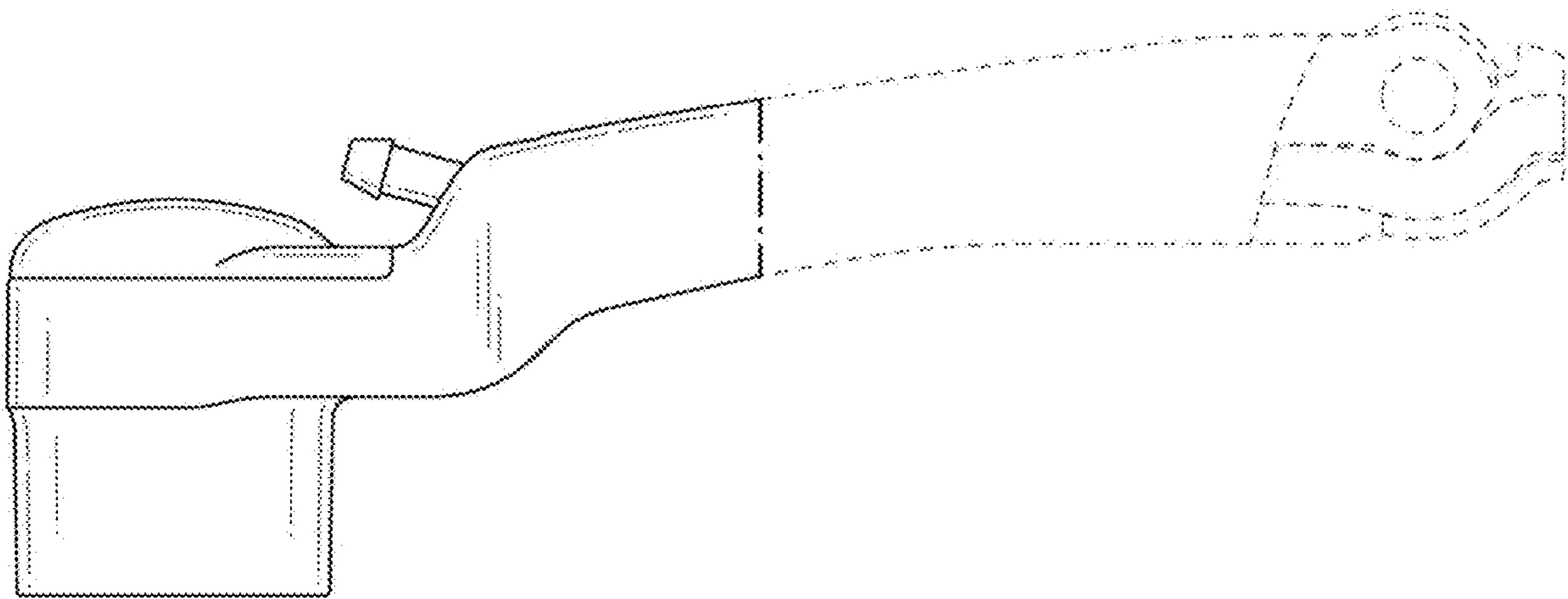
1.2



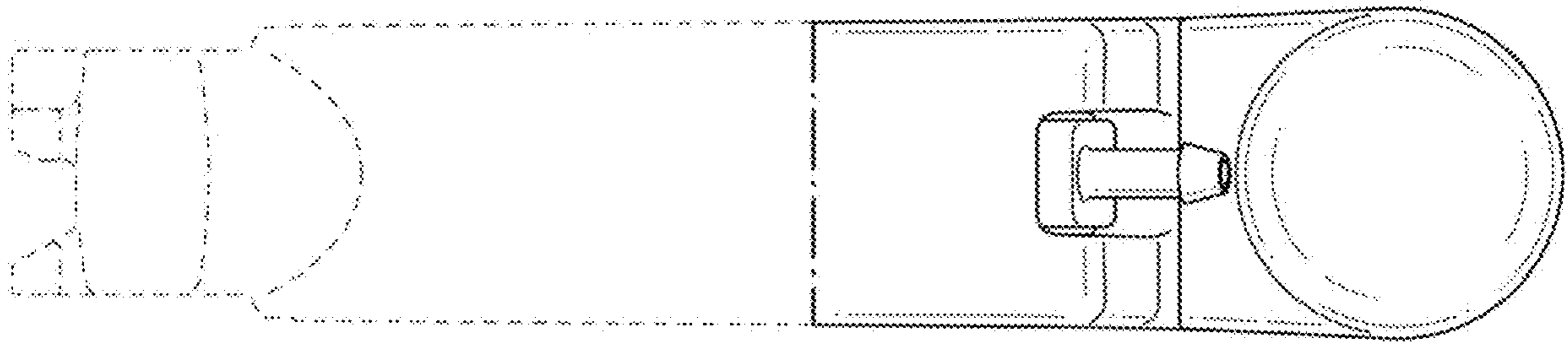
1.3



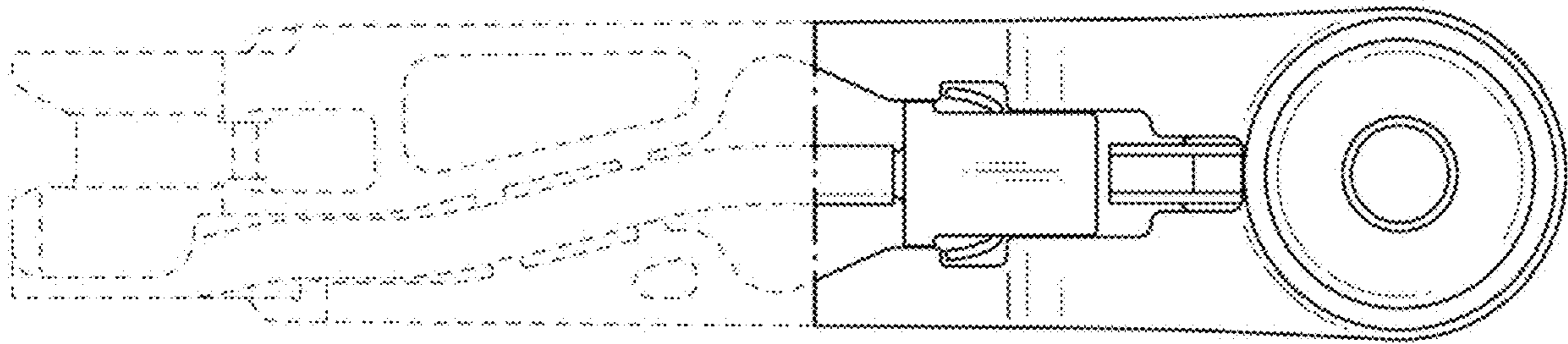
1.4



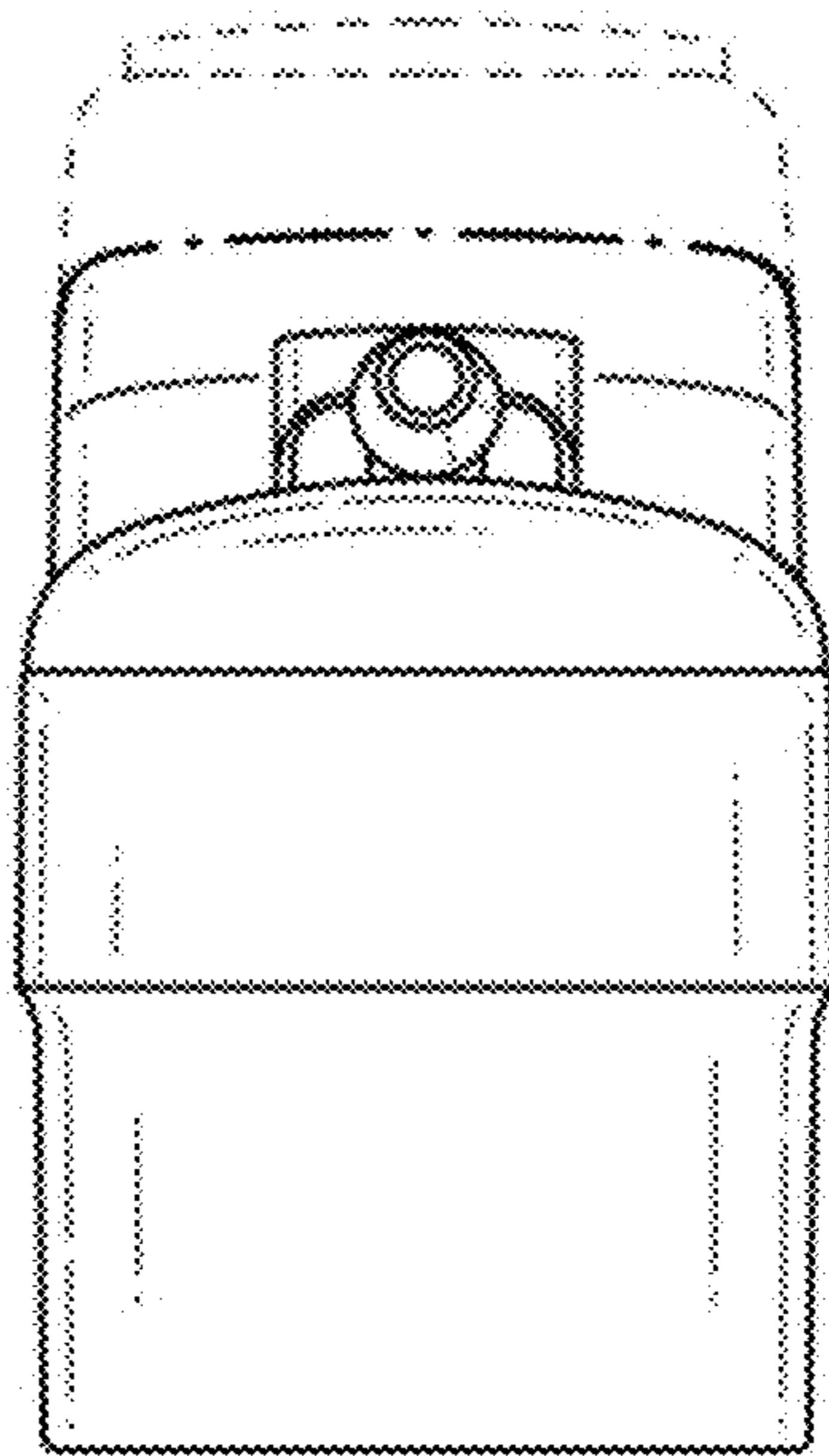
1.5



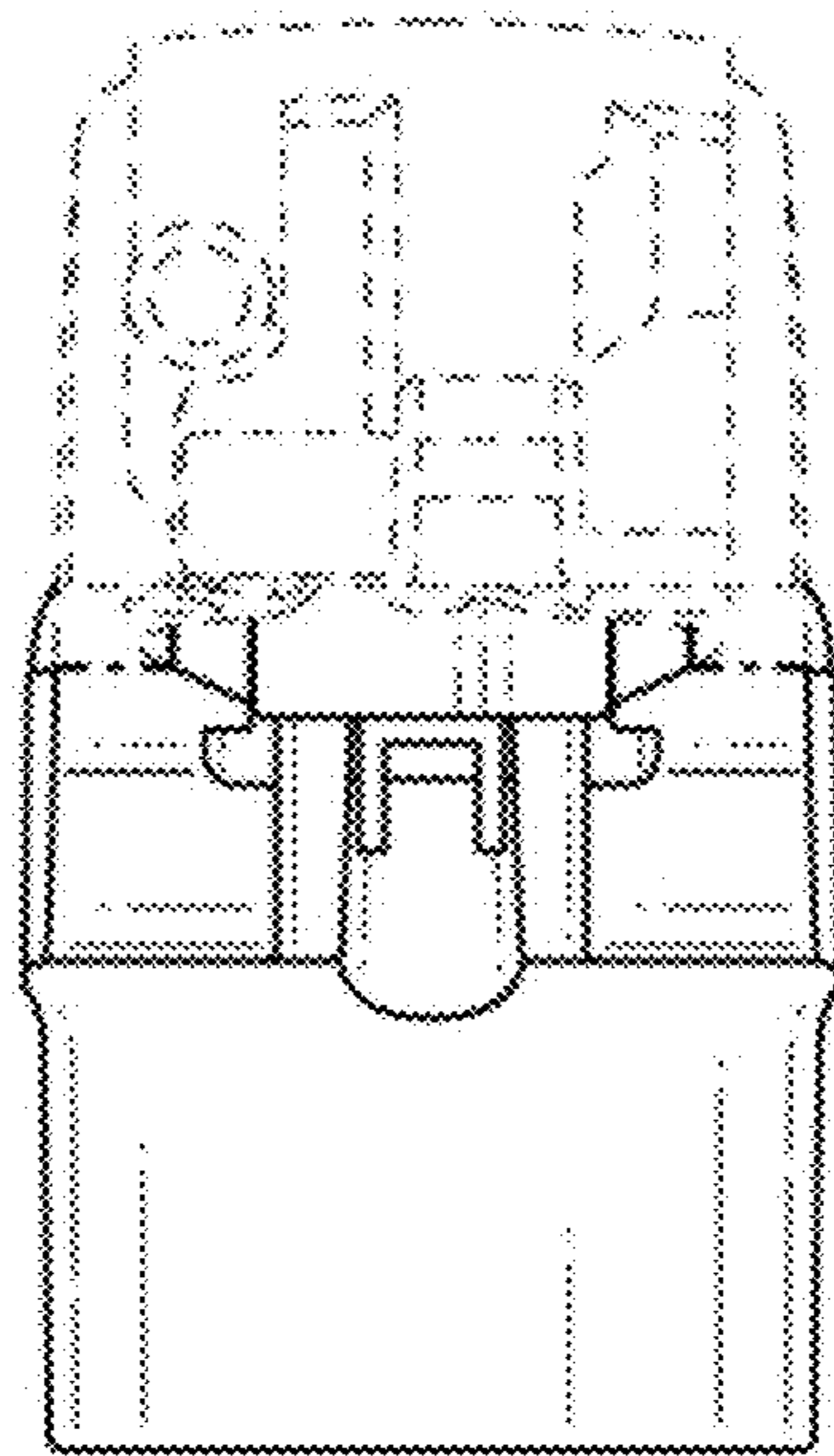
1.6



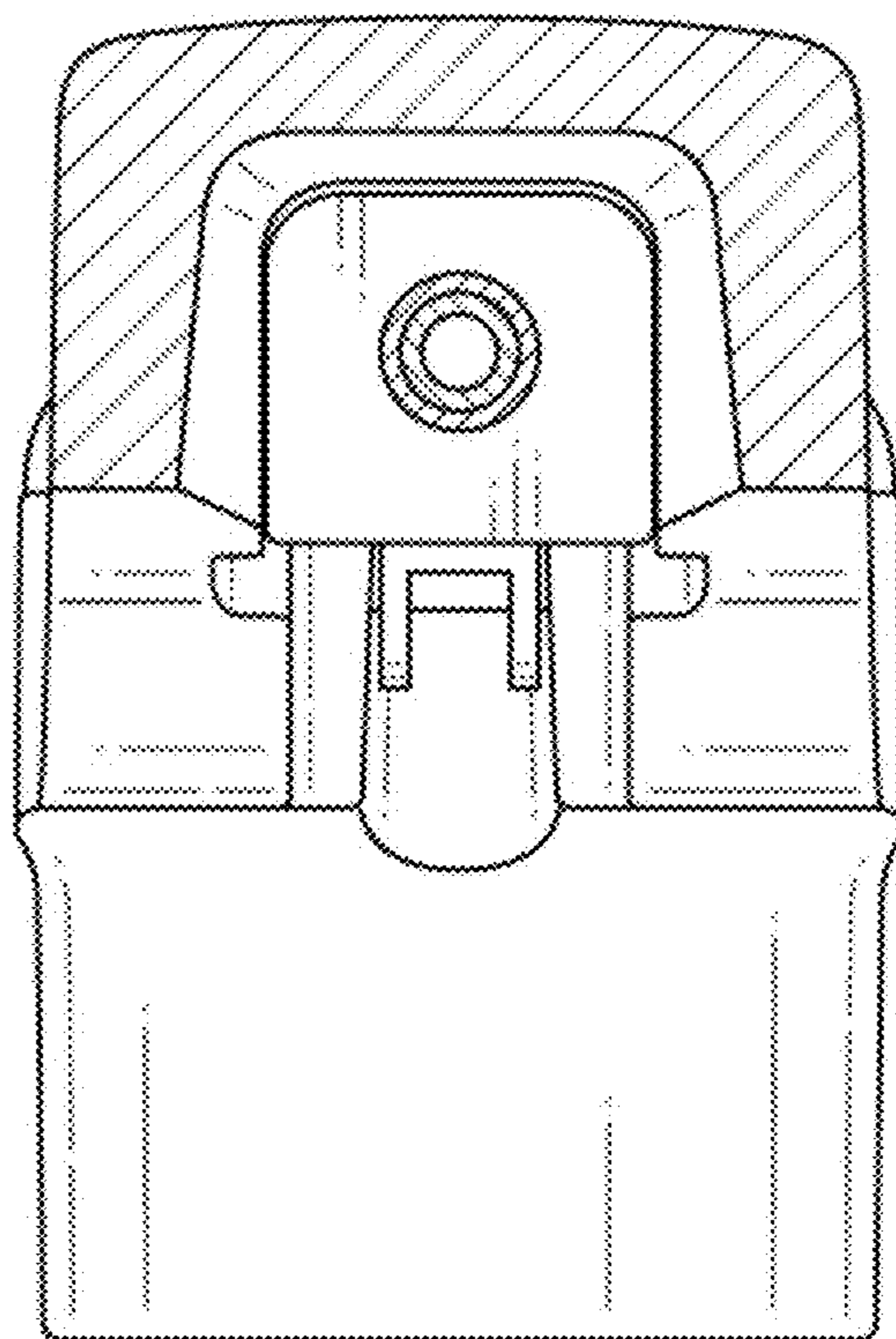
1.7



1.8



1.9



1.10

