



US00D879698S

(12) **United States Design Patent**
Chan

(10) **Patent No.:** **US D879,698 S**

(45) **Date of Patent:** **** Mar. 31, 2020**

(54) **WHEEL**

(71) Applicant: **Jaguar Land Rover Limited**, Whitley
Coventry (GB)

(72) Inventor: **Alex Chan**, Whitley Coventry (GB)

(73) Assignee: **Jaguar Land Rover Limited**, Whitley,
Coventry (GB)

(**) Term: **15 Years**

(21) Appl. No.: **29/685,270**

(22) Filed: **Mar. 27, 2019**

Related U.S. Application Data

(62) Division of application No. 29/629,431, filed on Dec.
13, 2017, now Pat. No. Des. 849,644.

(30) **Foreign Application Priority Data**

Jun. 15, 2017 (EM) 004048916

(51) **LOC (12) Cl.** **12-16**

(52) **U.S. Cl.**
USPC **D12/209**

(58) **Field of Classification Search**

USPC D12/204–213
CPC B60B 7/00; B60B 7/02; B60B 7/04; B60B
7/01; B60B 7/06; B60B 3/02; B60B 3/04;
B60B 3/06; B60B 3/10; B60B 1/00;
B60B 1/08; B60B 1/10; B60B 1/12
See application file for complete search history.

(56) **References Cited**

U.S. PATENT DOCUMENTS

D480,343 S * 10/2003 Oh D12/209
D504,648 S * 5/2005 Pfeiffer D12/209
D530,253 S * 10/2006 Coutts D12/209
D530,657 S * 10/2006 Pfeiffer D12/211

D545,261 S * 6/2007 Looho D12/209
D601,074 S * 9/2009 Buschmann D12/209
D645,391 S * 9/2011 Weil D12/209
D649,501 S * 11/2011 Platto D12/209
D674,329 S * 1/2013 Bildhaeuser D12/209
D723,988 S * 3/2015 Kito D12/209
D734,234 S * 7/2015 Juergens D12/209
D734,701 S * 7/2015 Mielke D12/209
D753,044 S * 4/2016 Mielke D12/209

(Continued)

Primary Examiner — Stacia A Cadmus

(74) *Attorney, Agent, or Firm* — Wood Herron & Evans
LLP

(57) **CLAIM**

The ornamental design for a wheel, as shown and described.

DESCRIPTION

FIG. 1 is a front left perspective view of a wheel for a vehicle
according to the present invention.

FIG. 2 is a front right perspective view of the wheel shown
in FIG. 1.

FIG. 3 is a front view thereof.

FIG. 4 is a left side view thereof, the right side view being
a mirror image thereof.

FIG. 5 is a rear view thereof.

FIG. 6 is a rear right perspective view thereof.

FIG. 7 is a rear left perspective view thereof.

FIG. 8 is a front left perspective view of a wheel for a vehicle
according to a second embodiment of the present invention.

FIG. 9 is a front right perspective view of the wheel shown
in FIG. 8.

FIG. 10 is a front view thereof.

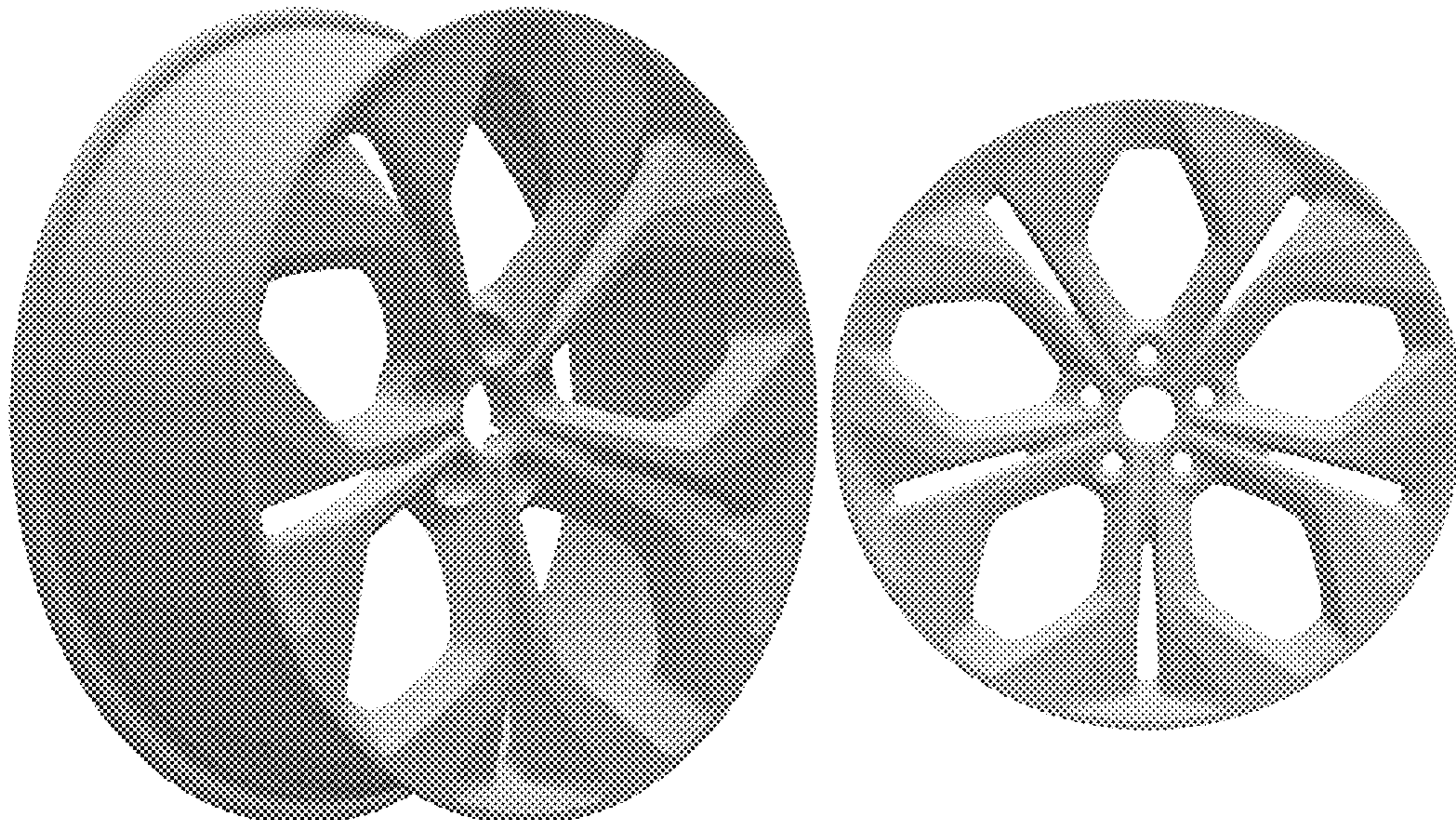
FIG. 11 is a left side view thereof, the right side view being
a mirror image thereof.

FIG. 12 is a rear view thereof.

FIG. 13 is a rear right perspective view thereof; and,

FIG. 14 is a rear left perspective view thereof.

1 Claim, 10 Drawing Sheets



(56)

References Cited

U.S. PATENT DOCUMENTS

D760,139 S *	6/2016	Dionisopoulos	D12/209
D791,045 S *	7/2017	Johnson	D12/209
D803,135 S *	11/2017	Bucher	D12/209
D825,425 S *	8/2018	Brundle	D12/209
D827,539 S *	9/2018	Behmer	D12/209
D849,644 S *	5/2019	Chan	D12/209
D865,612 S *	11/2019	Interrante	D12/209

* cited by examiner



FIG. 1



FIG. 2

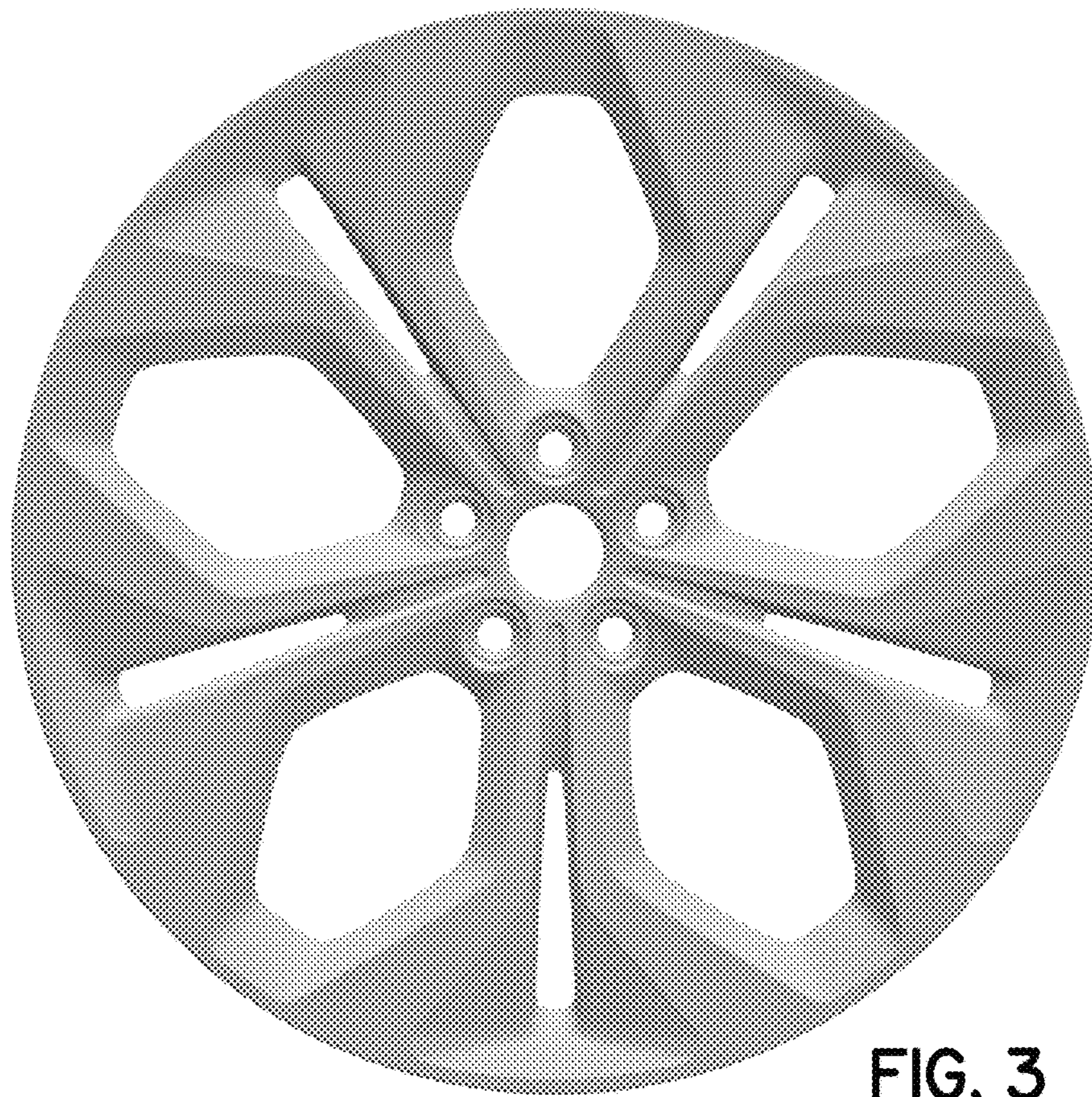


FIG. 3

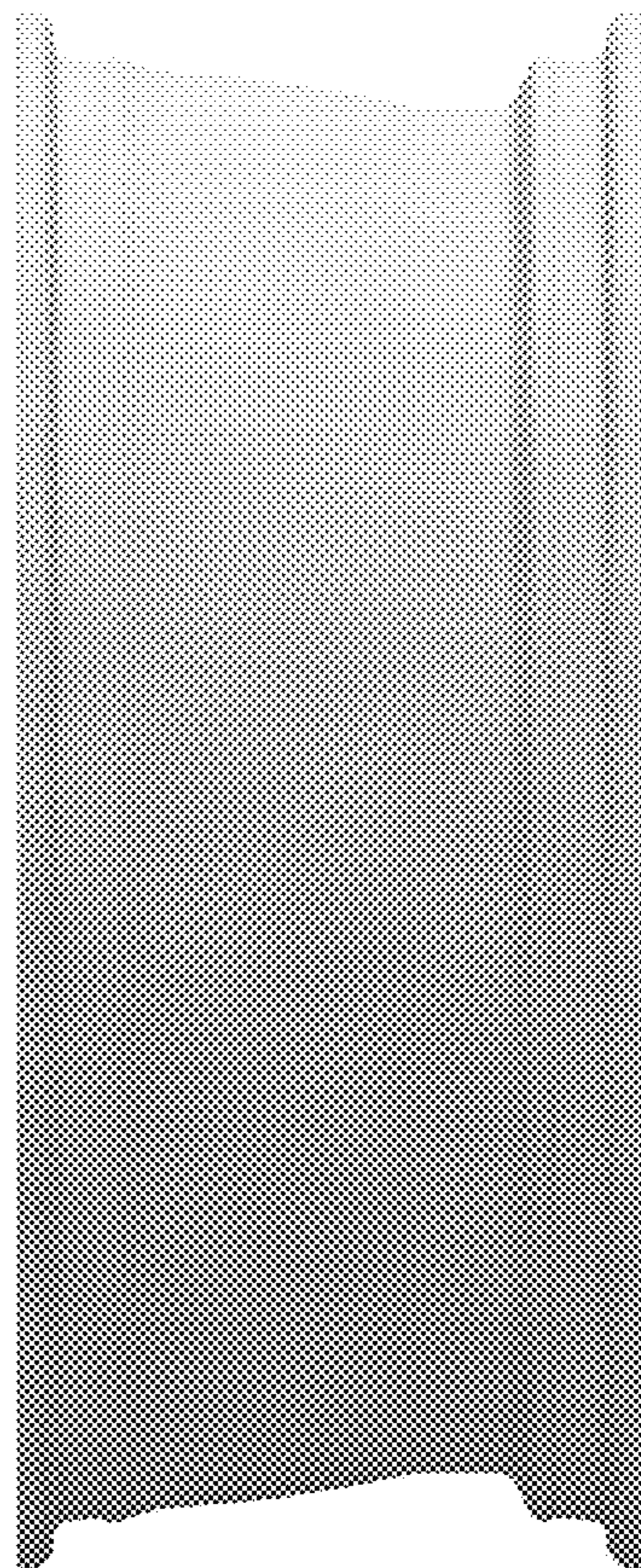


FIG. 4

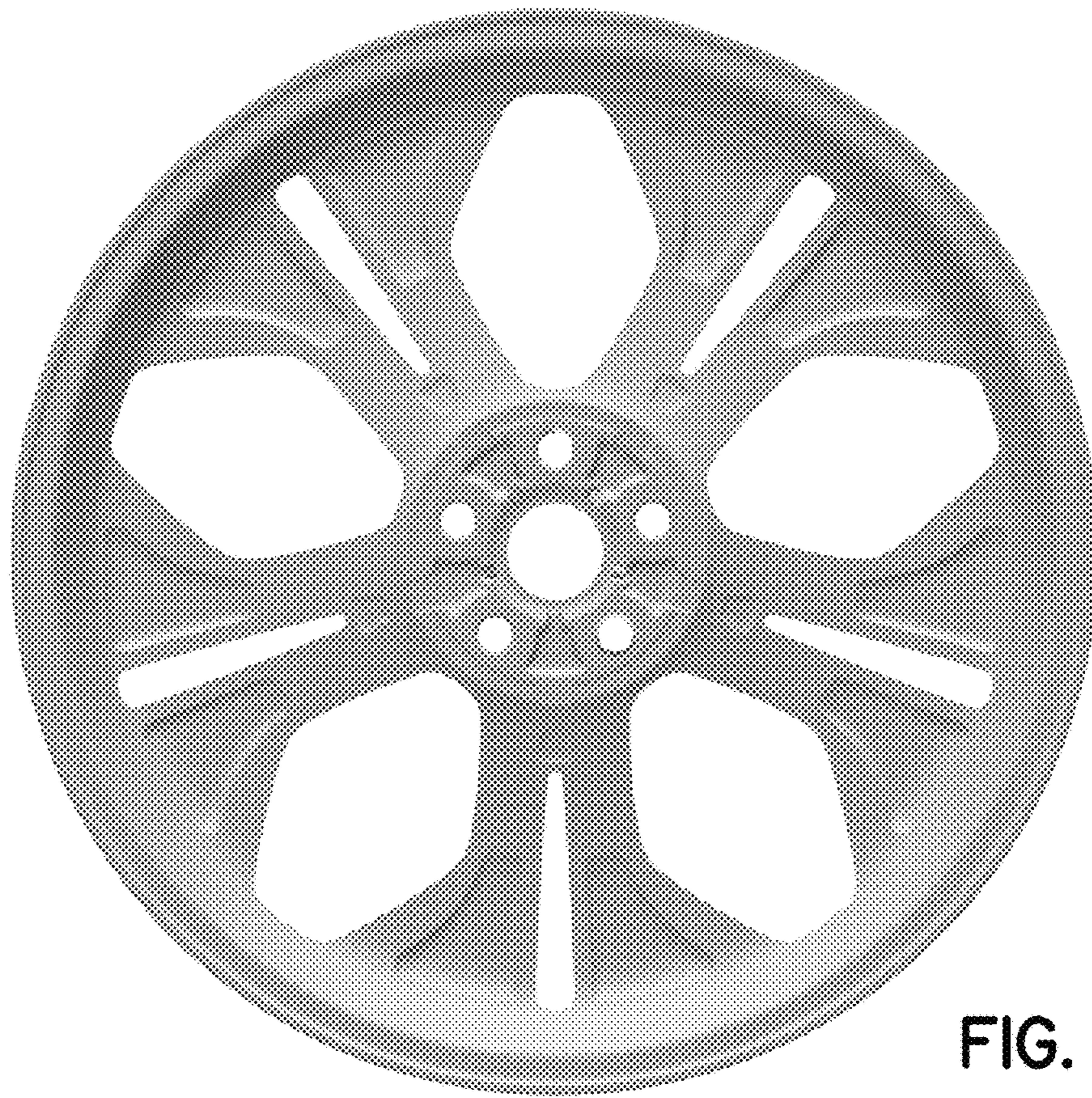


FIG. 5



FIG. 6



FIG. 7



FIG. 8



FIG. 9

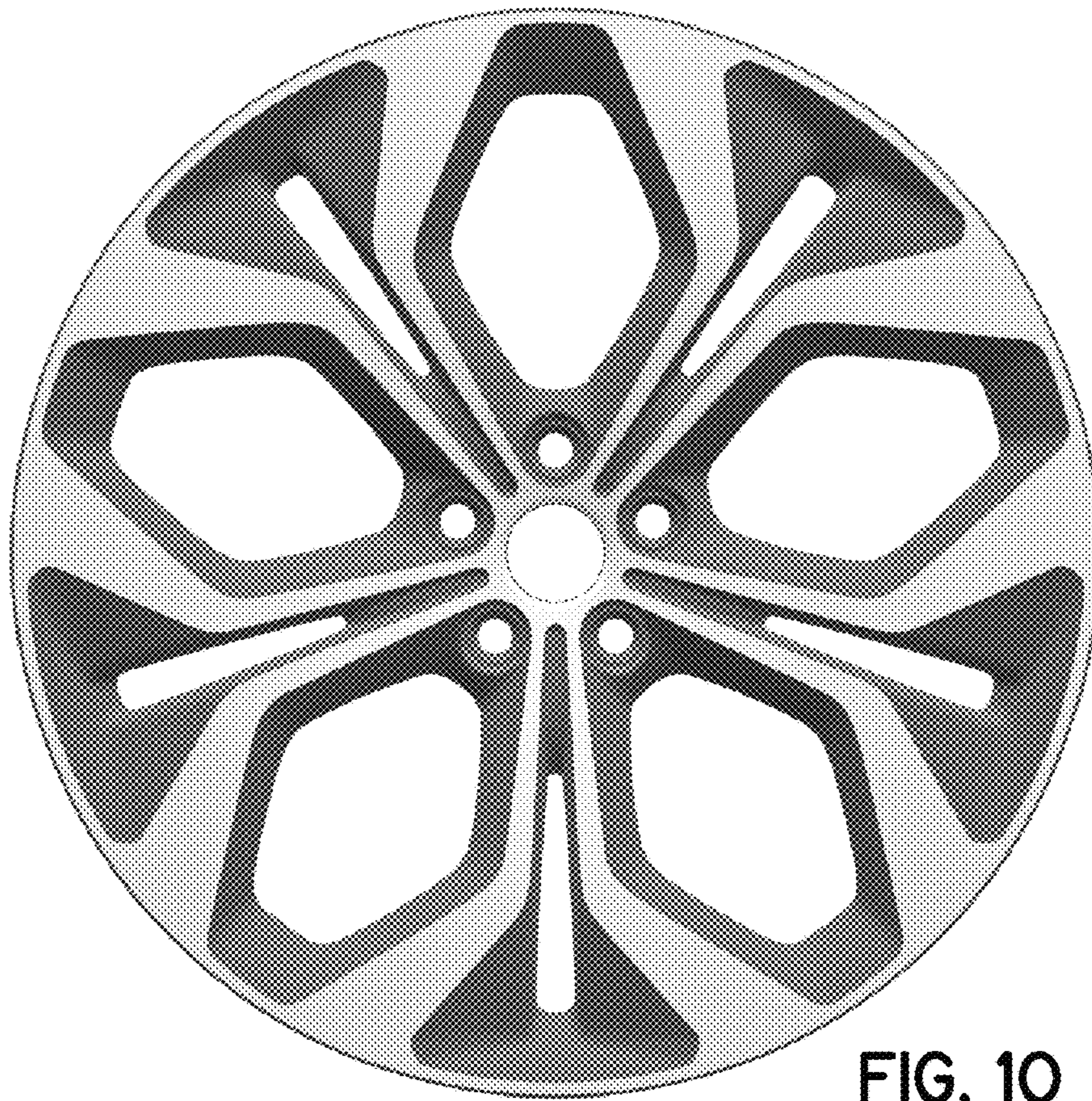


FIG. 10

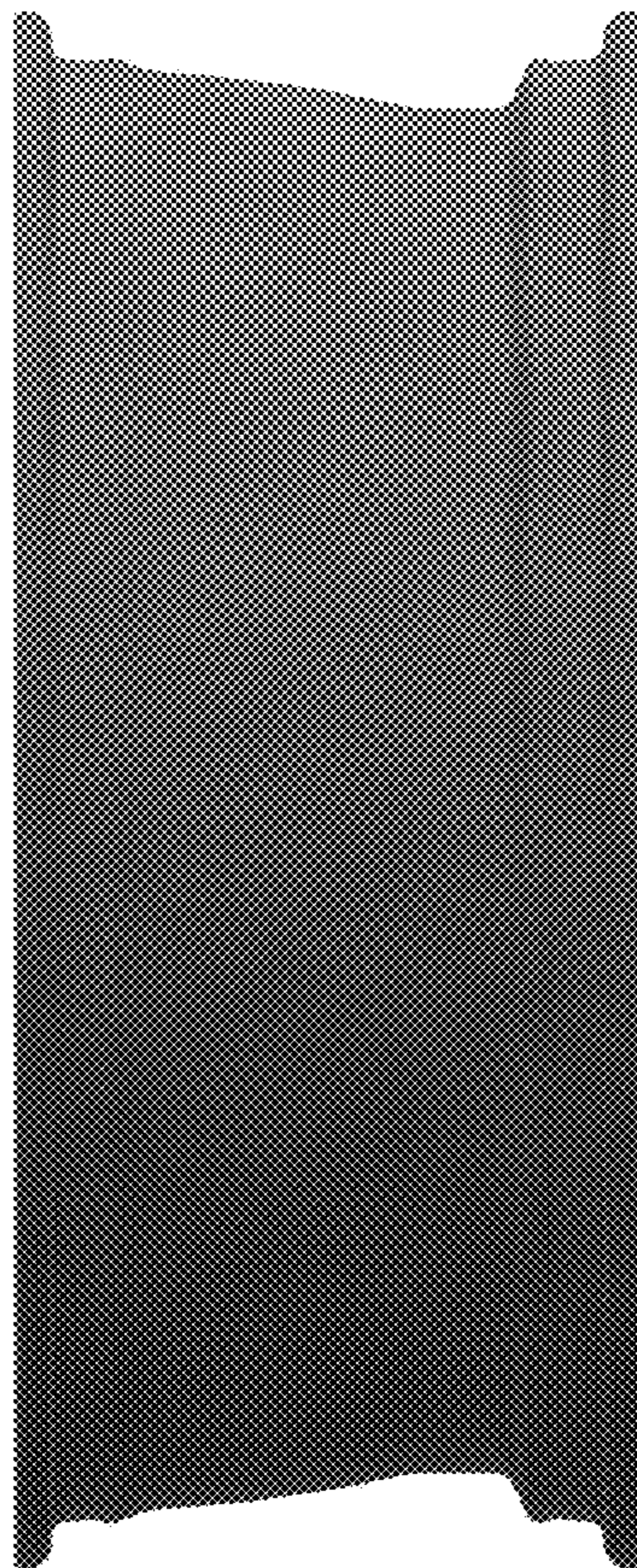


FIG. 11

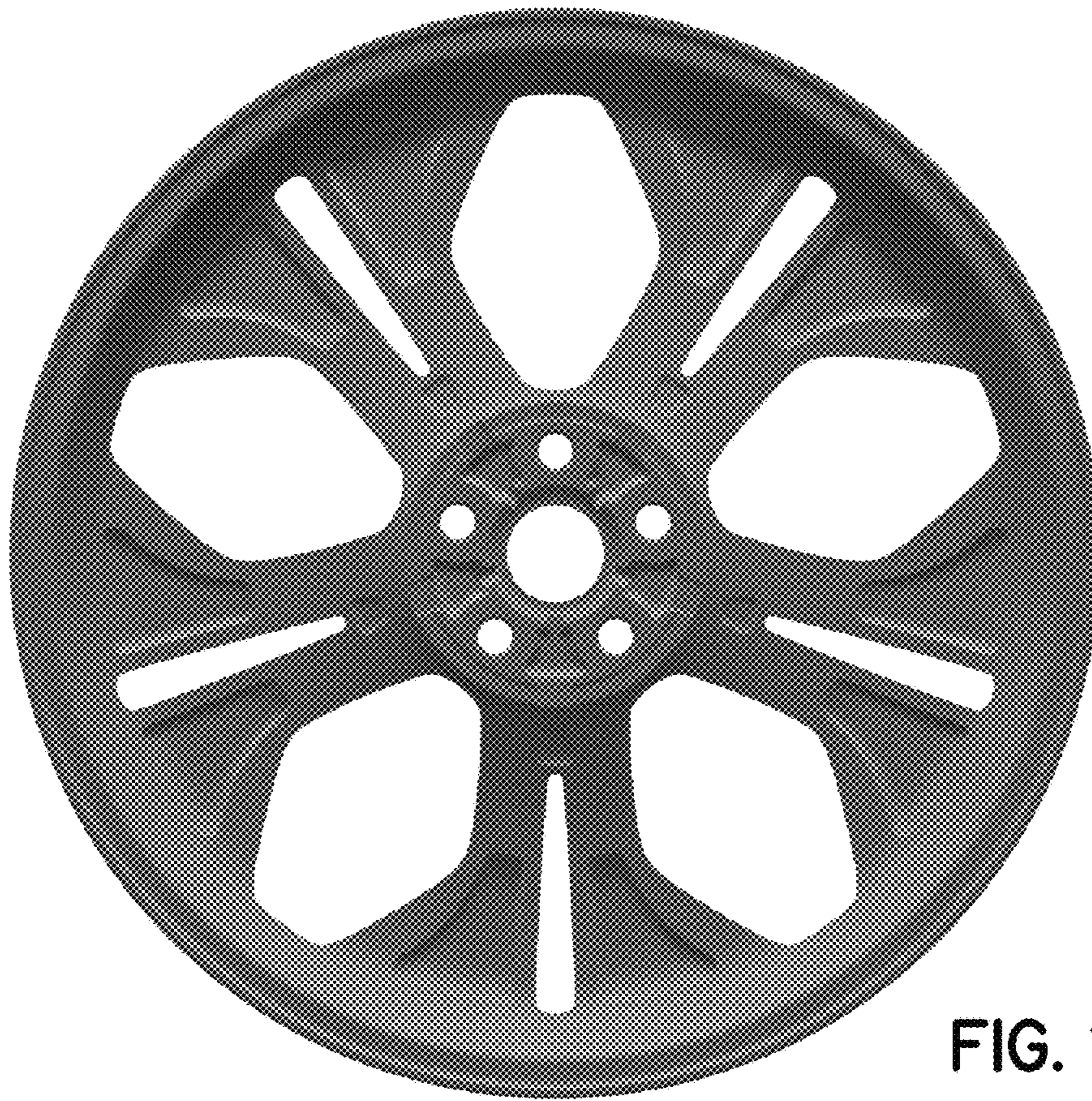


FIG. 12



FIG. 13



FIG. 14