



US00D879692S

(12) **United States Design Patent**
Zhao

(10) **Patent No.:** **US D879,692 S**
(45) **Date of Patent:** **** Mar. 31, 2020**

- (54) **AUTOMOBILE WHEEL**
- (71) Applicant: **WAH HUNG GROUP, INC.**,
Monterey Park, CA (US)
- (72) Inventor: **John Zhao**, Monterey Park, CA (US)
- (73) Assignee: **Wah Hung Group, Inc.**, Monterey
Park, CA (US)
- (**) Term: **15 Years**
- (21) Appl. No.: **29/650,301**
- (22) Filed: **Jun. 5, 2018**
- (51) **LOC (12) Cl.** **12-16**
- (52) **U.S. Cl.**
USPC **D12/209**
- (58) **Field of Classification Search**
USPC D12/204–213
CPC B60B 7/00; B60B 7/02; B60B 7/04; B60B
7/01; B60B 7/06; B60B 3/02; B60B 3/04;
B60B 3/06; B60B 3/10; B60B 1/00;
B60B 1/08; B60B 1/10; B60B 1/12
See application file for complete search history.

D680,048 S *	4/2013	Zhao	D12/211
D682,766 S *	5/2013	Zhao	D12/211
D703,601 S *	4/2014	Chung	D12/211
D736,134 S *	8/2015	Platto	D12/211
D741,243 S *	10/2015	Zhao	D12/211
D749,030 S *	2/2016	Zhao	D12/211
D752,498 S *	3/2016	Zhao	D12/211
D770,352 S *	11/2016	Sze	D12/209
D776,597 S *	1/2017	Zhao	D12/211
D804,387 S *	12/2017	Zhao	D12/209
D805,994 S *	12/2017	Platto	D12/211
D821,285 S *	6/2018	Zhao	D12/211
D825,432 S *	8/2018	Trim	D12/211
D831,560 S *	10/2018	Aiello	D12/211
D831,561 S *	10/2018	Aiello	D12/213
D836,525 S *	12/2018	Sempek	D12/211
D840,310 S *	2/2019	Zhao	D12/209
D856,258 S *	8/2019	Zhao	D12/211
D856,889 S *	8/2019	Zhao	D12/209

* cited by examiner

Primary Examiner — Stacia A Cadmus

(74) *Attorney, Agent, or Firm* — Payam Moradian

(57) **CLAIM**

I claim the ornamental design for an automobile wheel, as shown and described.

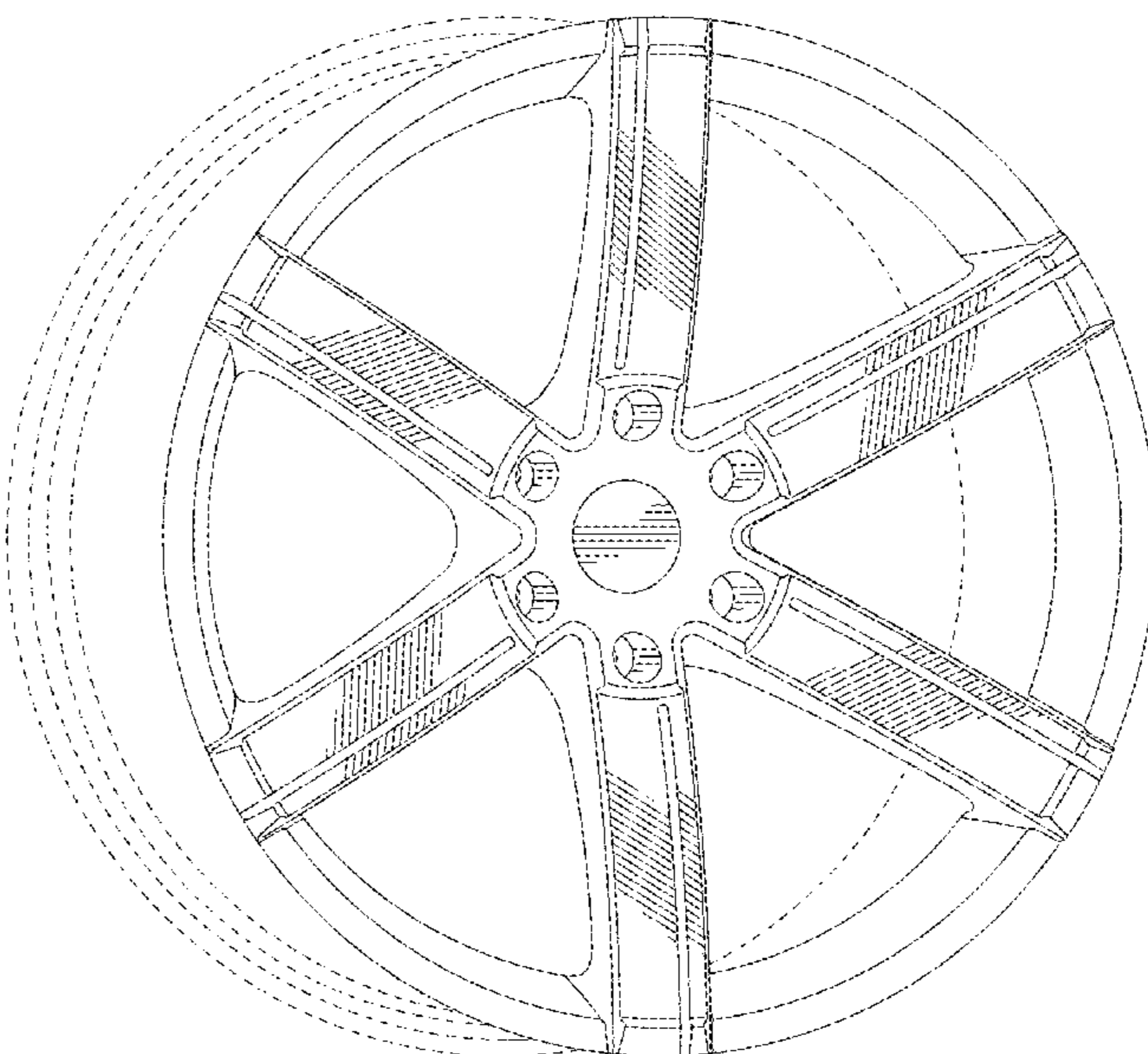
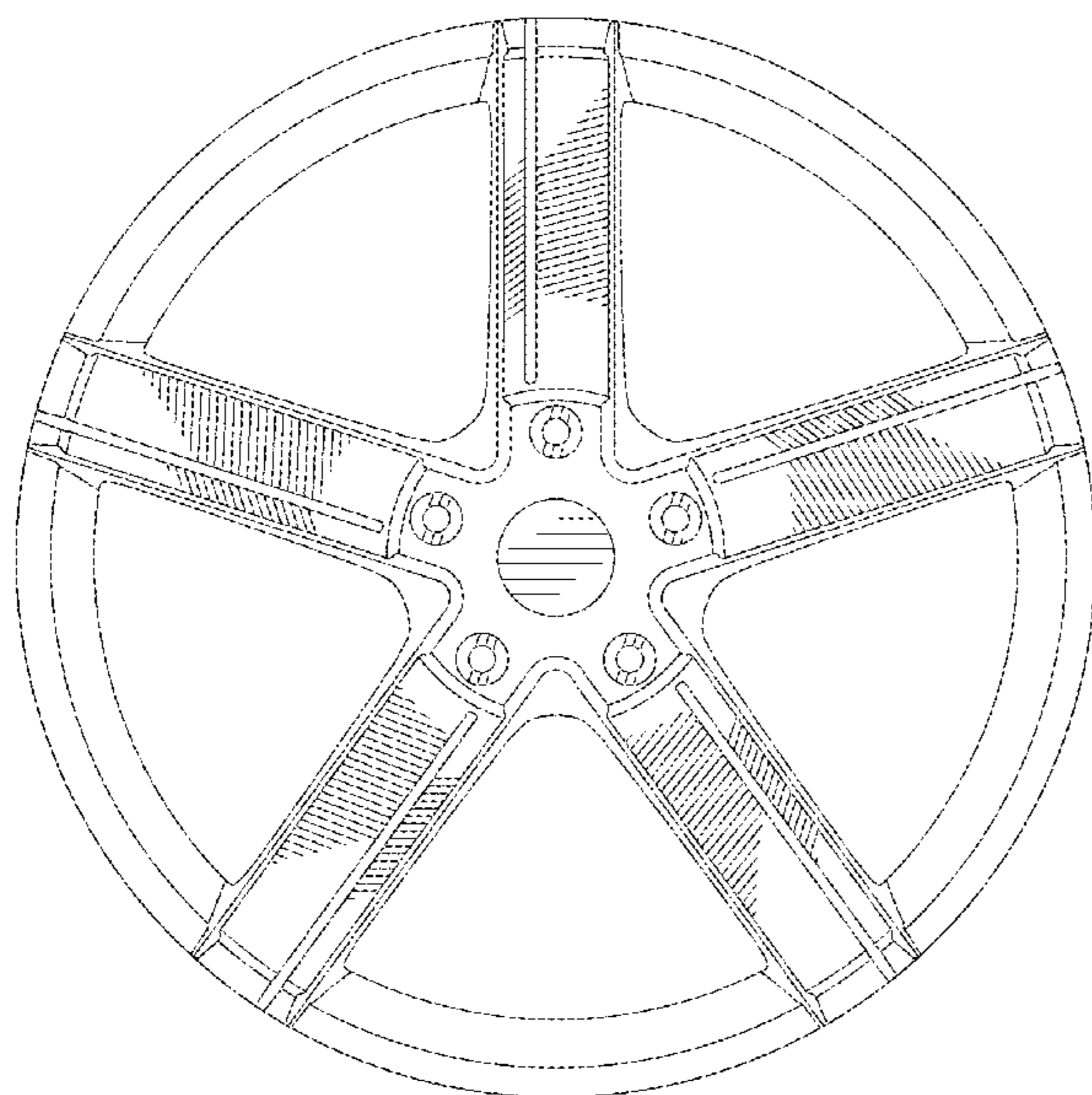
DESCRIPTION

FIG. 1 is a front elevational view of an automobile wheel, showing my new design;
 FIG. 2 is a perspective view thereof;
 FIG. 3 is a front view of a second embodiment of an automobile wheel, showing my new design; and,
 FIG. 4 is a perspective view of FIG. 3.
 The broken lines in the drawings of the automobile wheel are for showing portions of the article and form no part of the claimed design.

1 Claim, 4 Drawing Sheets

(56) **References Cited**
U.S. PATENT DOCUMENTS

D470,449 S *	2/2003	Bernoni	D12/211
D518,766 S *	4/2006	Burns	D12/211
D585,808 S *	2/2009	Hetrick	D12/211
D603,778 S *	11/2009	Chung	D12/211
D611,396 S *	3/2010	Antoniadis	D12/211
D619,074 S *	7/2010	Zhao	D12/211
D652,364 S *	1/2012	Zhao	D12/211
D653,599 S *	2/2012	Zhao	D12/211
D655,232 S *	3/2012	Zhao	D12/209
D656,450 S *	3/2012	Zhao	D12/211
D675,973 S *	2/2013	Lee	D12/211



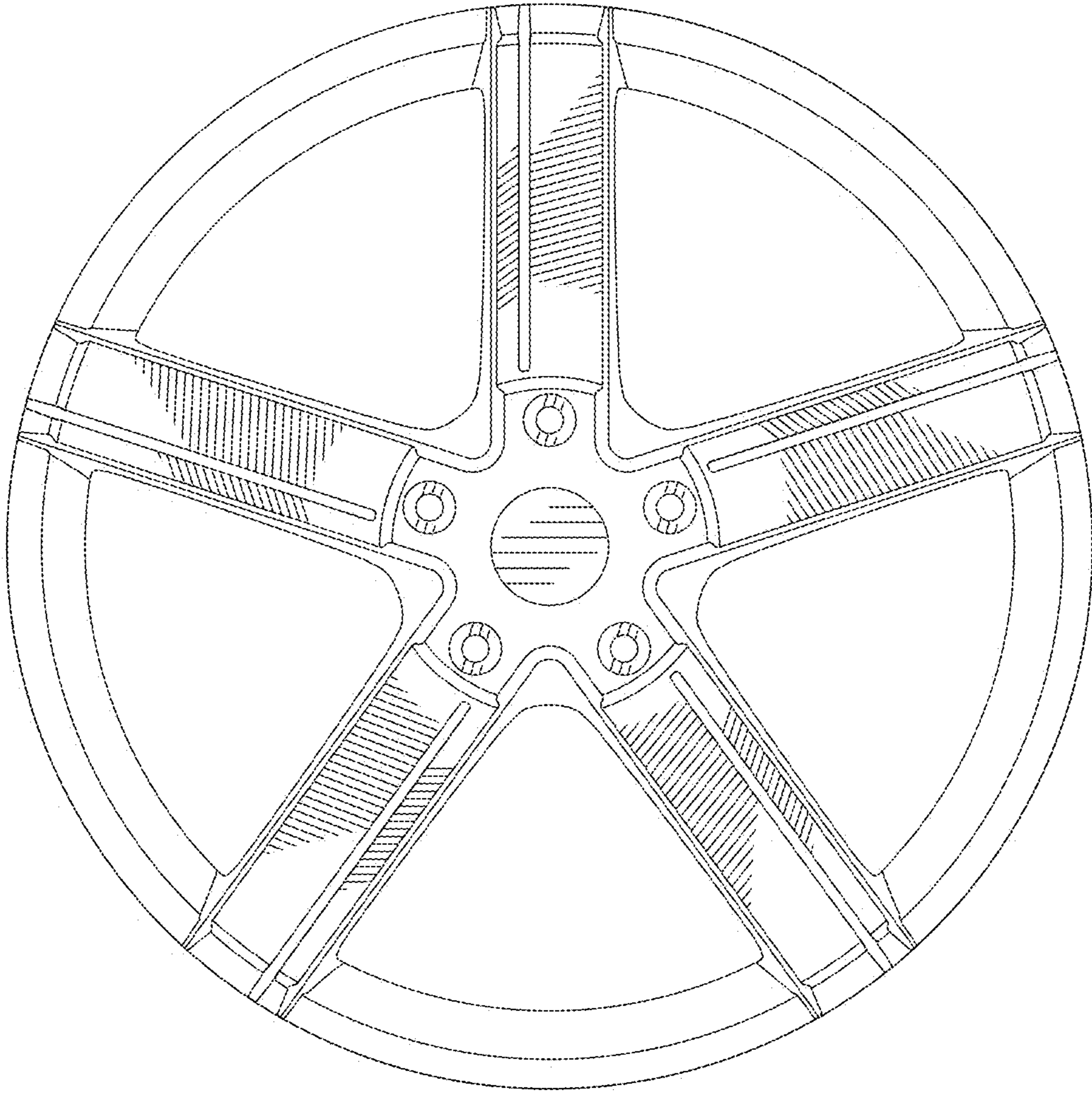


FIG. 1

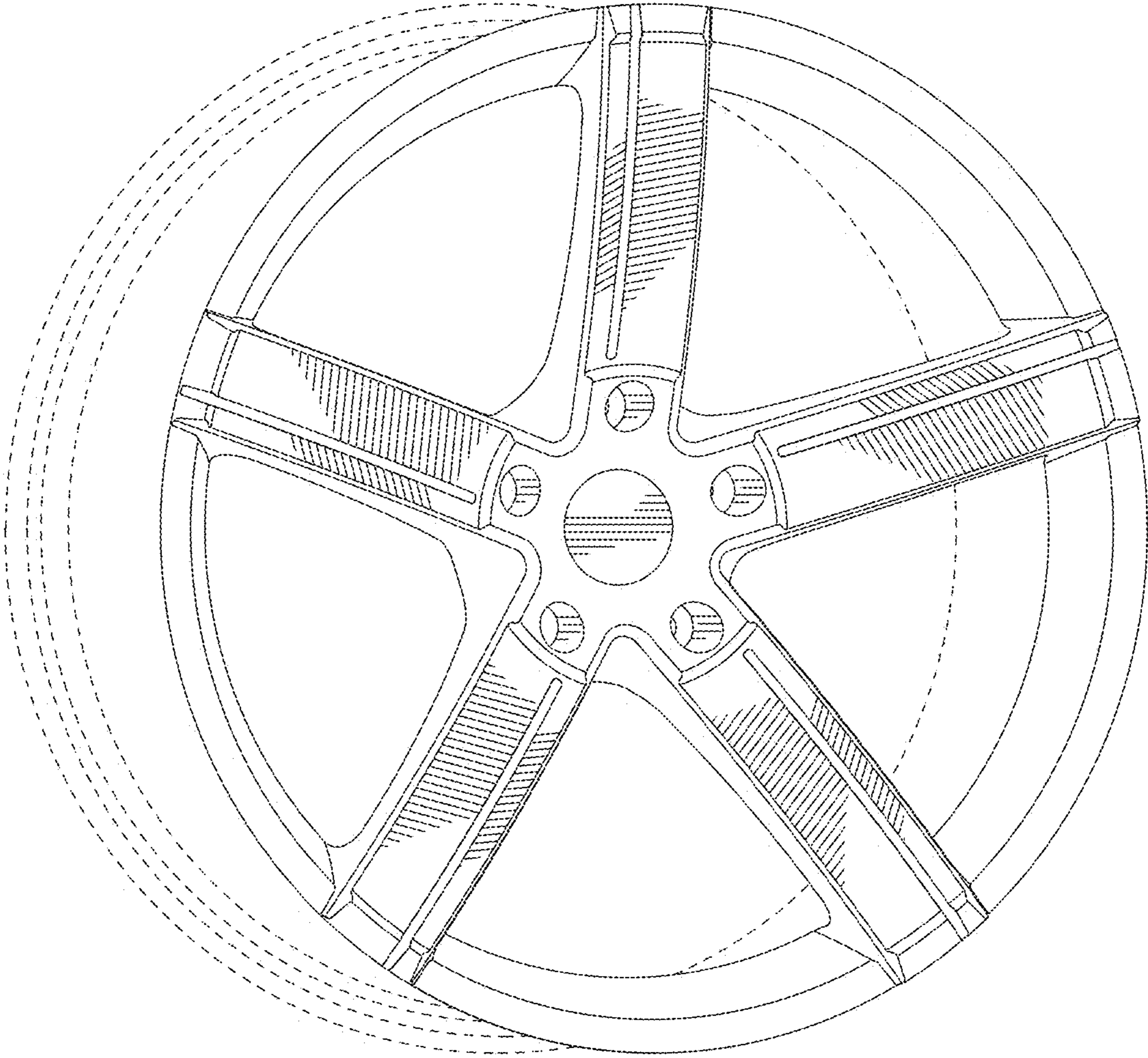


FIG.2

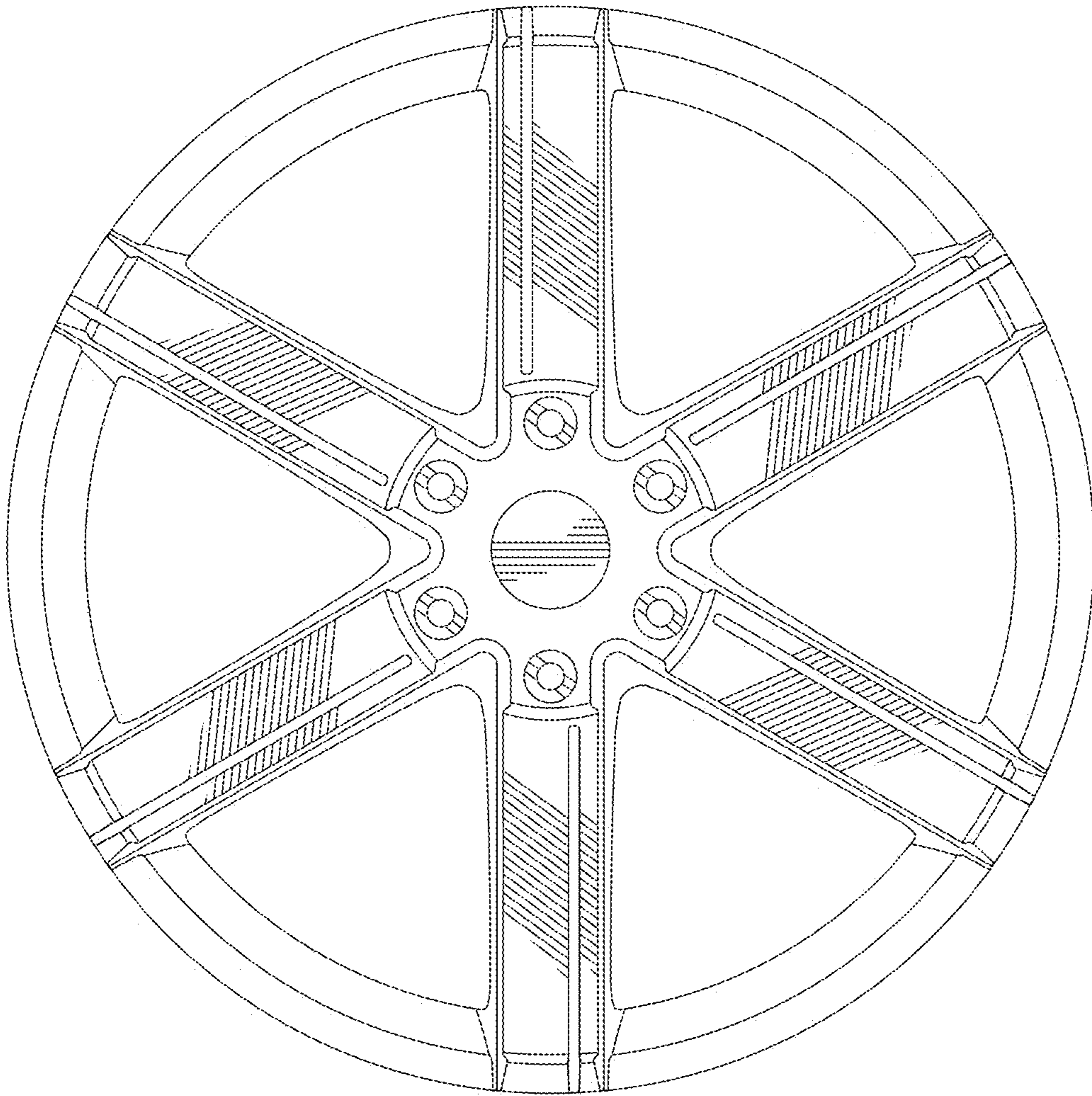


FIG. 3

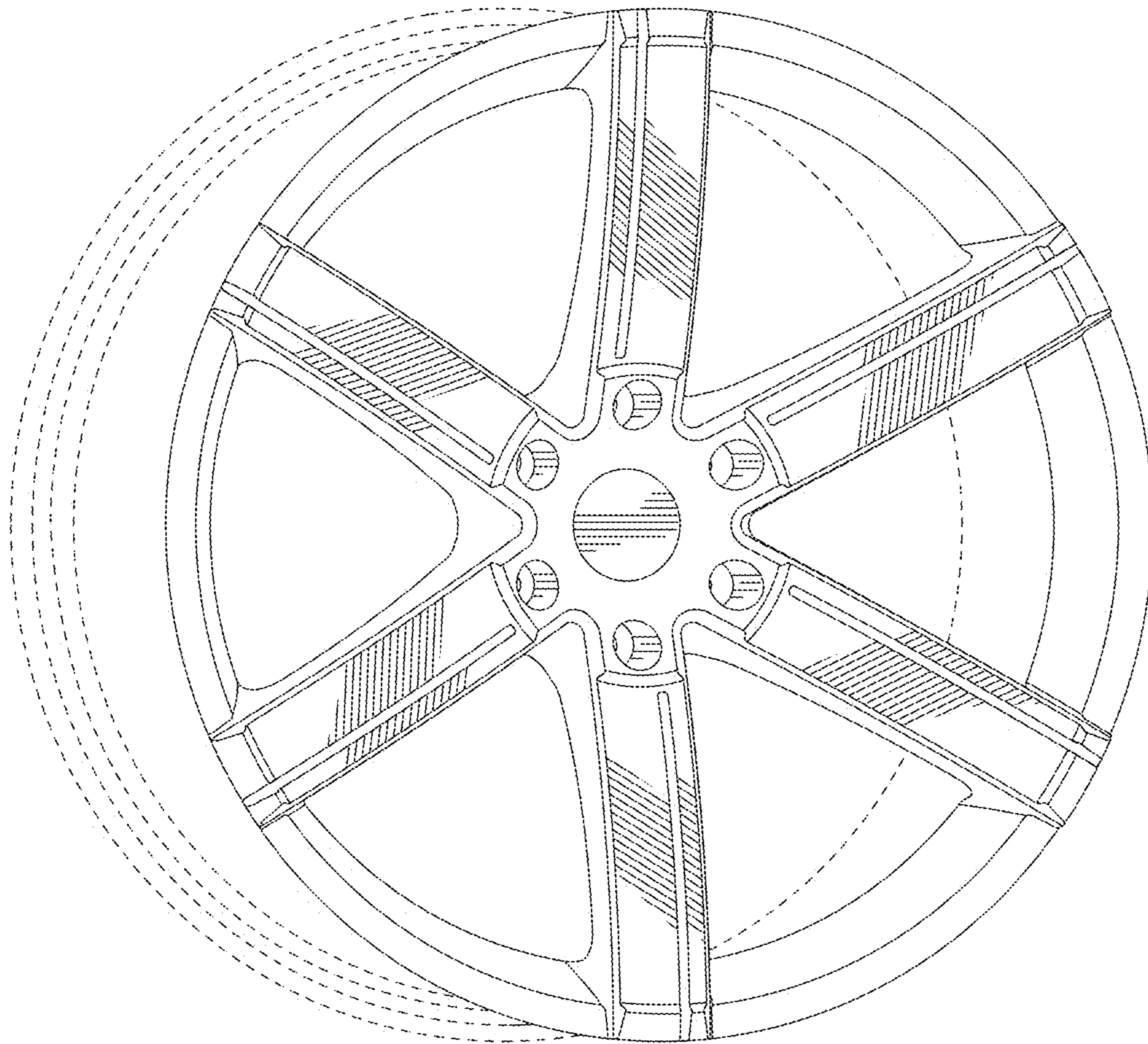


FIG. 4