



US00D879688S

(12) **United States Design Patent** (10) **Patent No.:** **US D879,688 S**  
**Ye** (45) **Date of Patent:** **\*\* Mar. 31, 2020**

(54) **WINDSHIELD CONNECTION PIECE FOR VEHICLES**

(71) Applicant: **Chongqing Richland Mold Corp., Chongqing (CN)**

(72) Inventor: **Lin Ye, Chongqing (CN)**

(73) Assignee: **CHONGQING RICHLAND MOLD CORP., Chongqing (CN)**

(\*\*) Term: **15 Years**

(21) Appl. No.: **29/589,320**

(22) Filed: **Dec. 29, 2016**

(30) **Foreign Application Priority Data**

Dec. 6, 2016 (CN) ..... 2016 3 0594268

(51) **LOC (12) Cl.** ..... **12-16**

(52) **U.S. Cl.**  
USPC ..... **D12/182**

(58) **Field of Classification Search**  
USPC ..... D12/181, 196, 400, 114, 86, 182;  
D8/363, 371, 373, 380, 356, 381, 382,  
D8/383, 396, 394, 349, 354;  
D25/119-126  
CPC ..... B60J 1/04; B60J 1/06; B60J 1/006; F16B  
1/00; B60R 13/0206; F16F 15/345  
See application file for complete search history.

(56) **References Cited**

**U.S. PATENT DOCUMENTS**

5,385,379 A \* 1/1995 Heavner ..... B60J 1/04  
280/DIG. 5  
D417,608 S \* 12/1999 Martin ..... D8/373  
D511,013 S \* 10/2005 Bullock, Jr. .... D25/119  
7,883,156 B2 \* 2/2011 Pursley ..... F16F 15/345  
301/5.21

D636,314 S \* 4/2011 Wang ..... D12/190  
9,045,022 B2 \* 6/2015 Tyrer ..... B60J 1/006  
D739,223 S \* 9/2015 Paik ..... D8/396  
D762,105 S \* 7/2016 Prevost ..... D8/349  
9,777,756 B2 \* 10/2017 Oakes ..... F16B 1/00  
D817,151 S \* 5/2018 Jensen ..... D8/354  
D820,067 S \* 6/2018 Merminod ..... D8/349  
2002/0164200 A1 \* 11/2002 Wisniewski ..... B60R 13/0206  
403/220  
2006/0249976 A1 \* 11/2006 Hanson ..... B60J 1/06  
296/77.1  
2008/0191508 A1 \* 8/2008 Kolokowski ..... B60J 1/006  
296/93  
2009/0229094 A1 \* 9/2009 Reese ..... B60J 1/006  
24/530  
2009/0230714 A1 \* 9/2009 Reese ..... B60J 1/06  
296/92  
2009/0278373 A1 \* 11/2009 Rouzer ..... B60J 1/06  
296/92  
2017/0114809 A1 \* 4/2017 Stickelberger ..... F16B 2/22

\* cited by examiner

*Primary Examiner* — Susan E Krakower  
*Assistant Examiner* — Jerry Shiu-an-Hua Hsu  
(74) *Attorney, Agent, or Firm* — Cheng-Ju Chiang

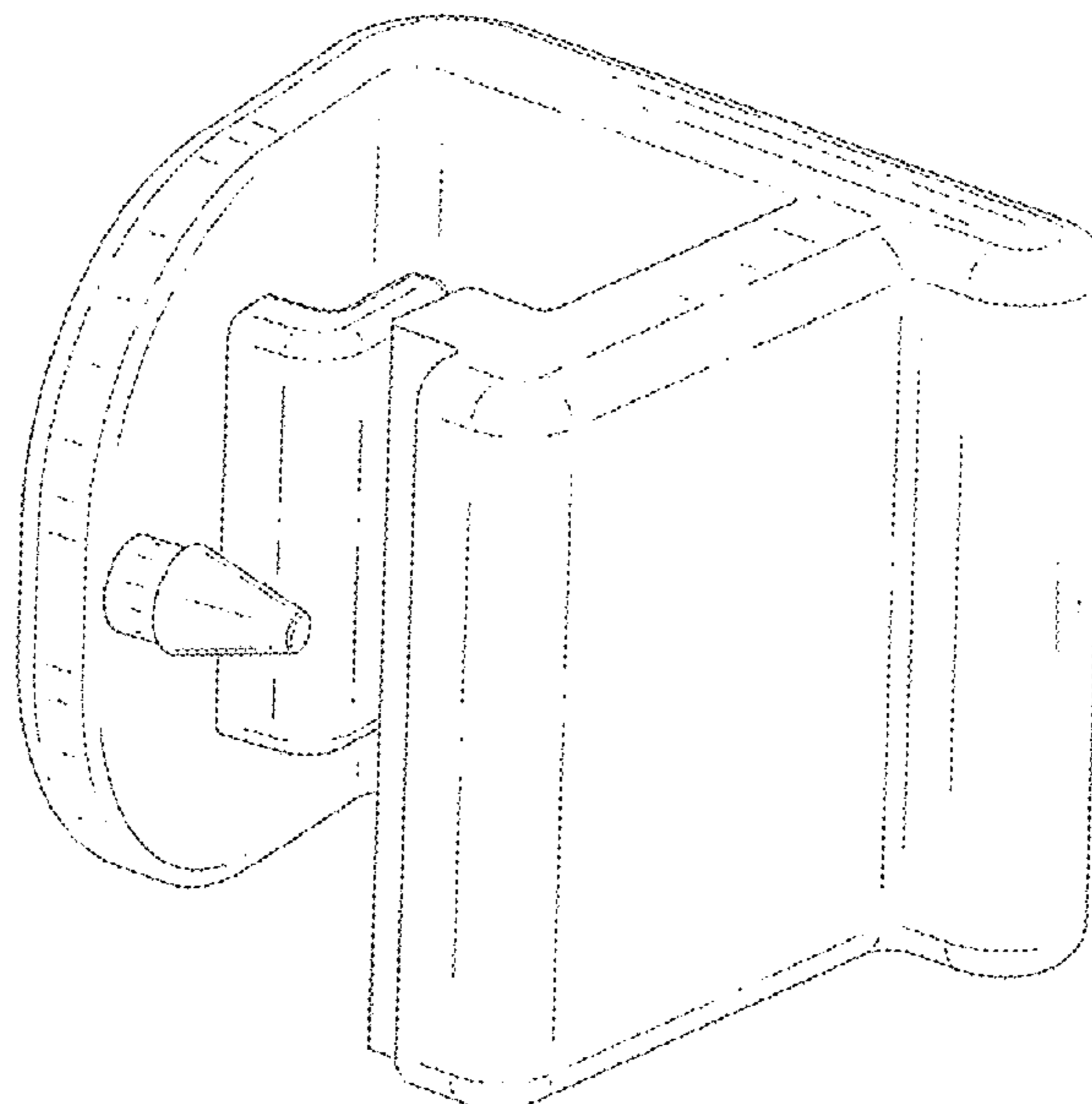
(57) **CLAIM**

The ornamental design for a windshield connection piece for vehicles, as shown and described.

**DESCRIPTION**

FIG. 1 is a front, right and top perspective view of a windshield connection piece for vehicles showing my new design;  
FIG. 2 is a front elevational view thereof;  
FIG. 3 is a rear elevational view thereof;  
FIG. 4 is a left side elevational view thereof;  
FIG. 5 is a right side elevational view thereof;  
FIG. 6 is a top plan view thereof; and,  
FIG. 7 is a bottom plan view thereof.

**1 Claim, 7 Drawing Sheets**



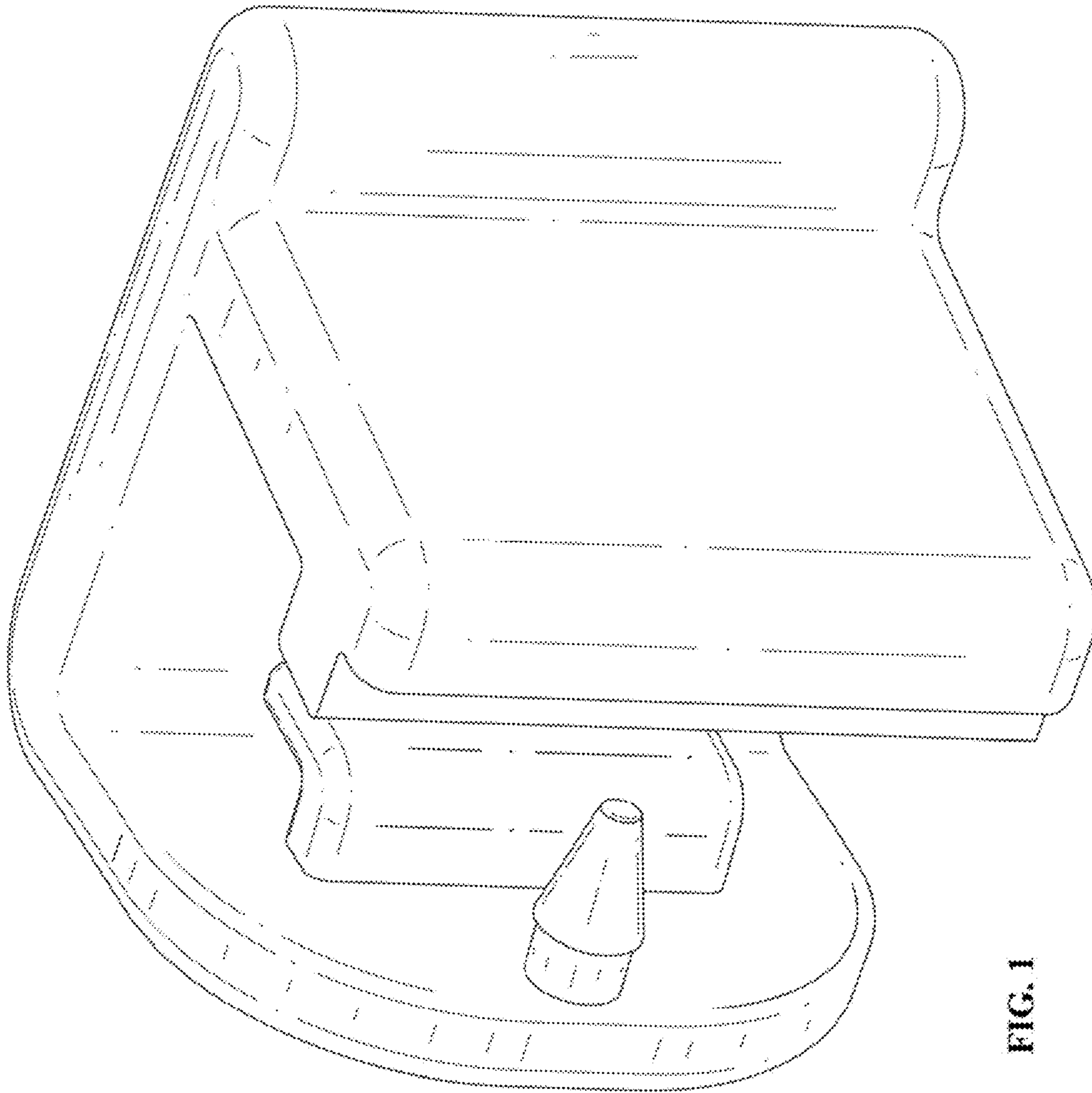


FIG. 1

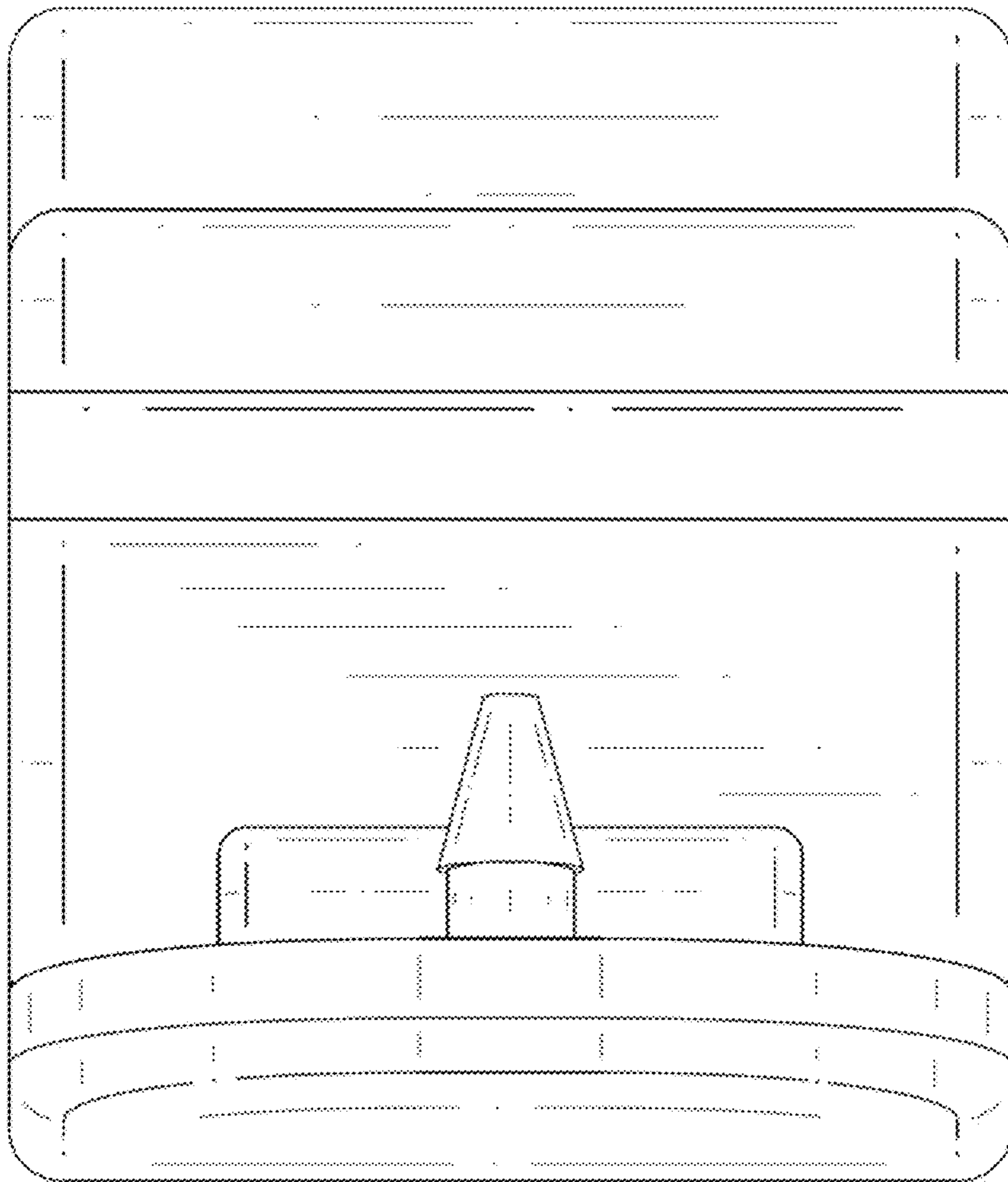


FIG. 2

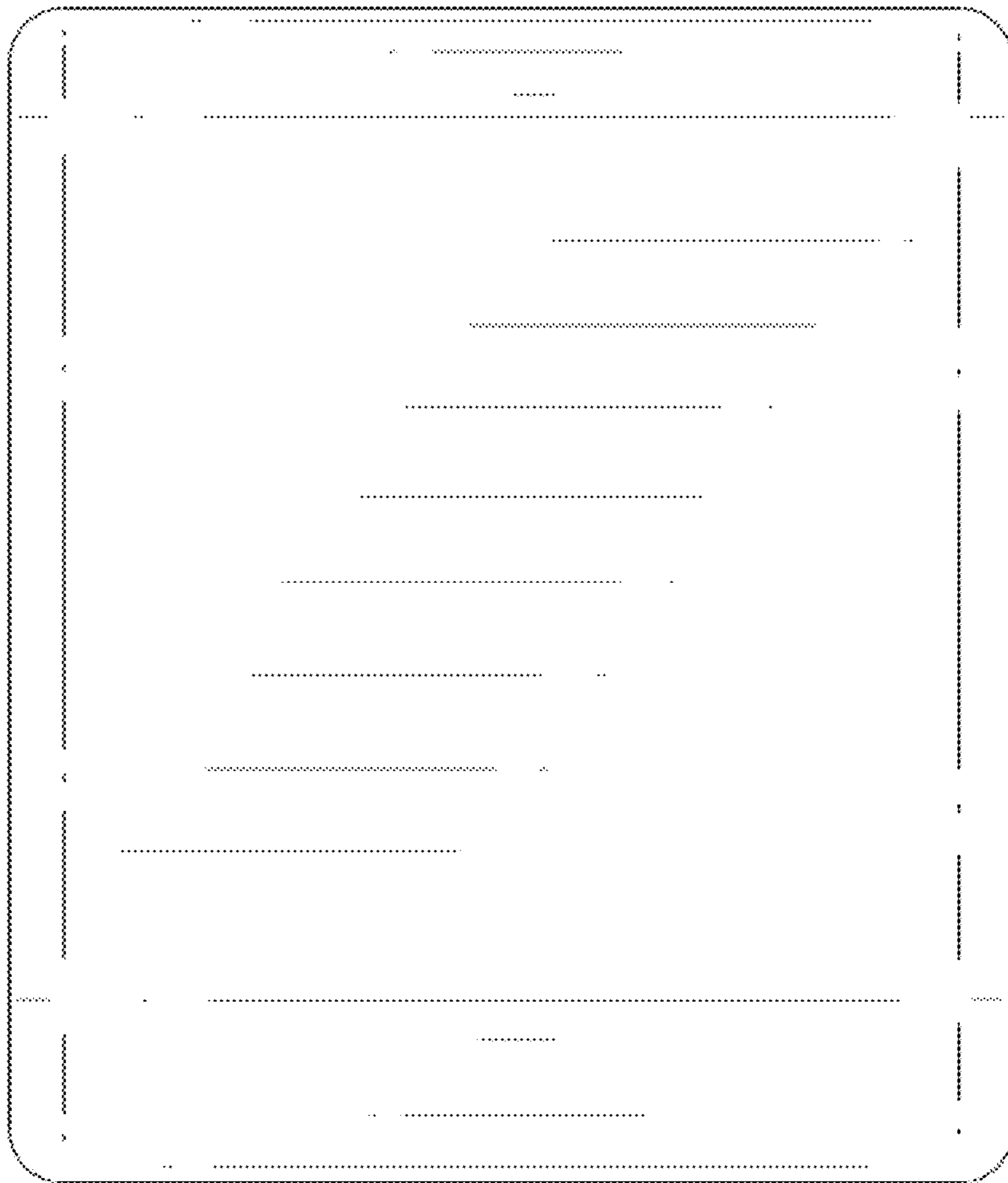


FIG. 3

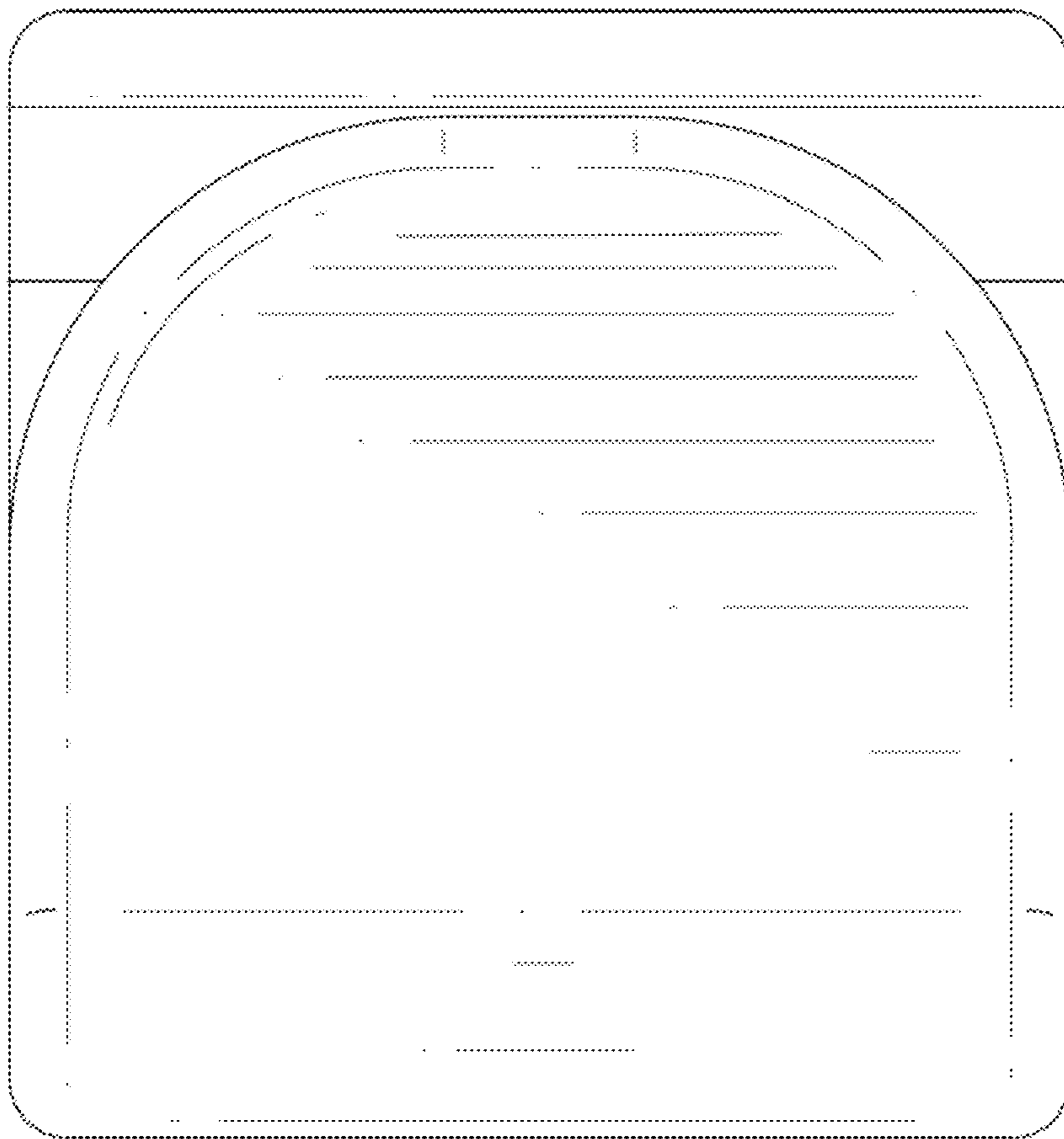


FIG. 4

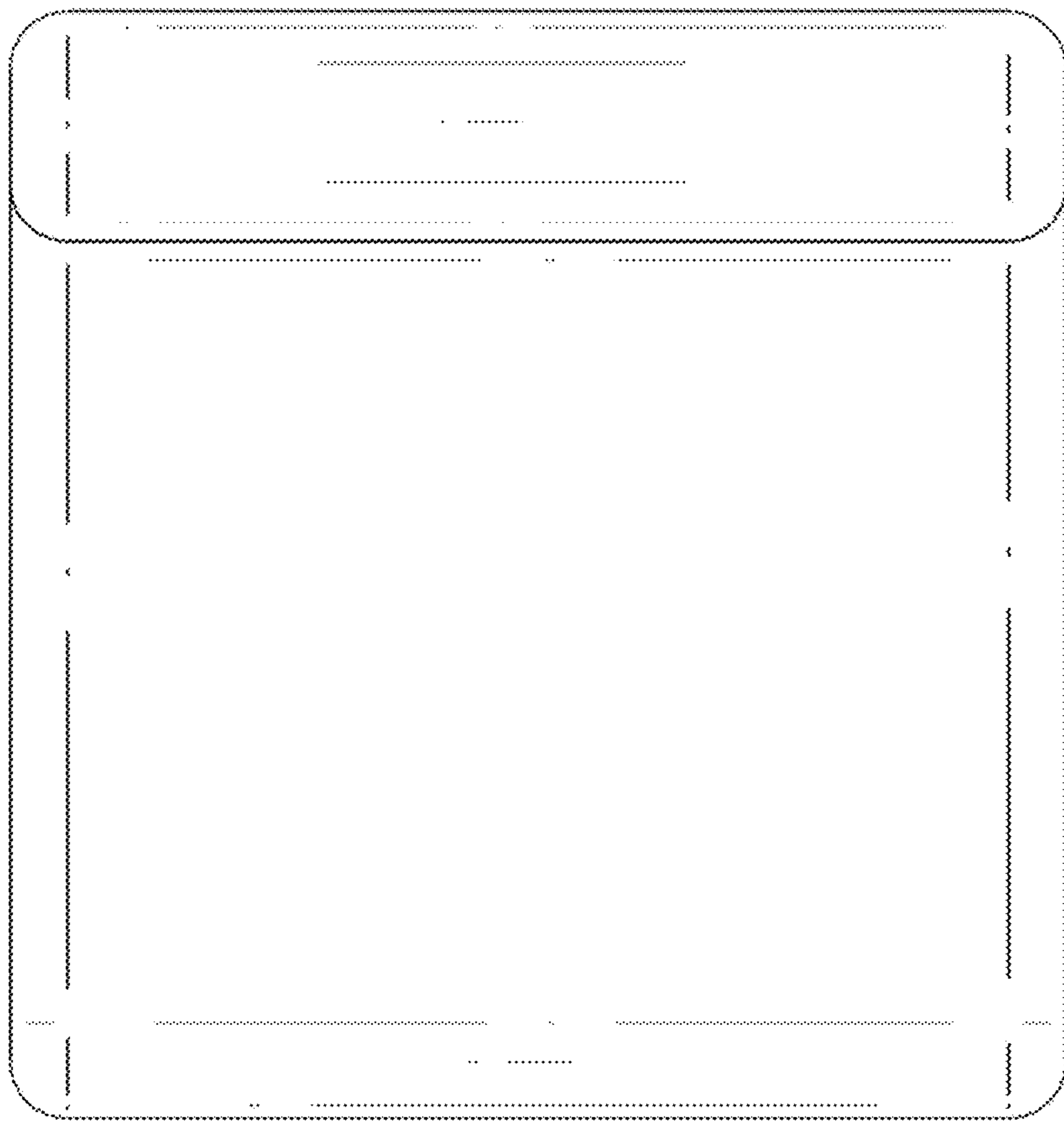


FIG. 5

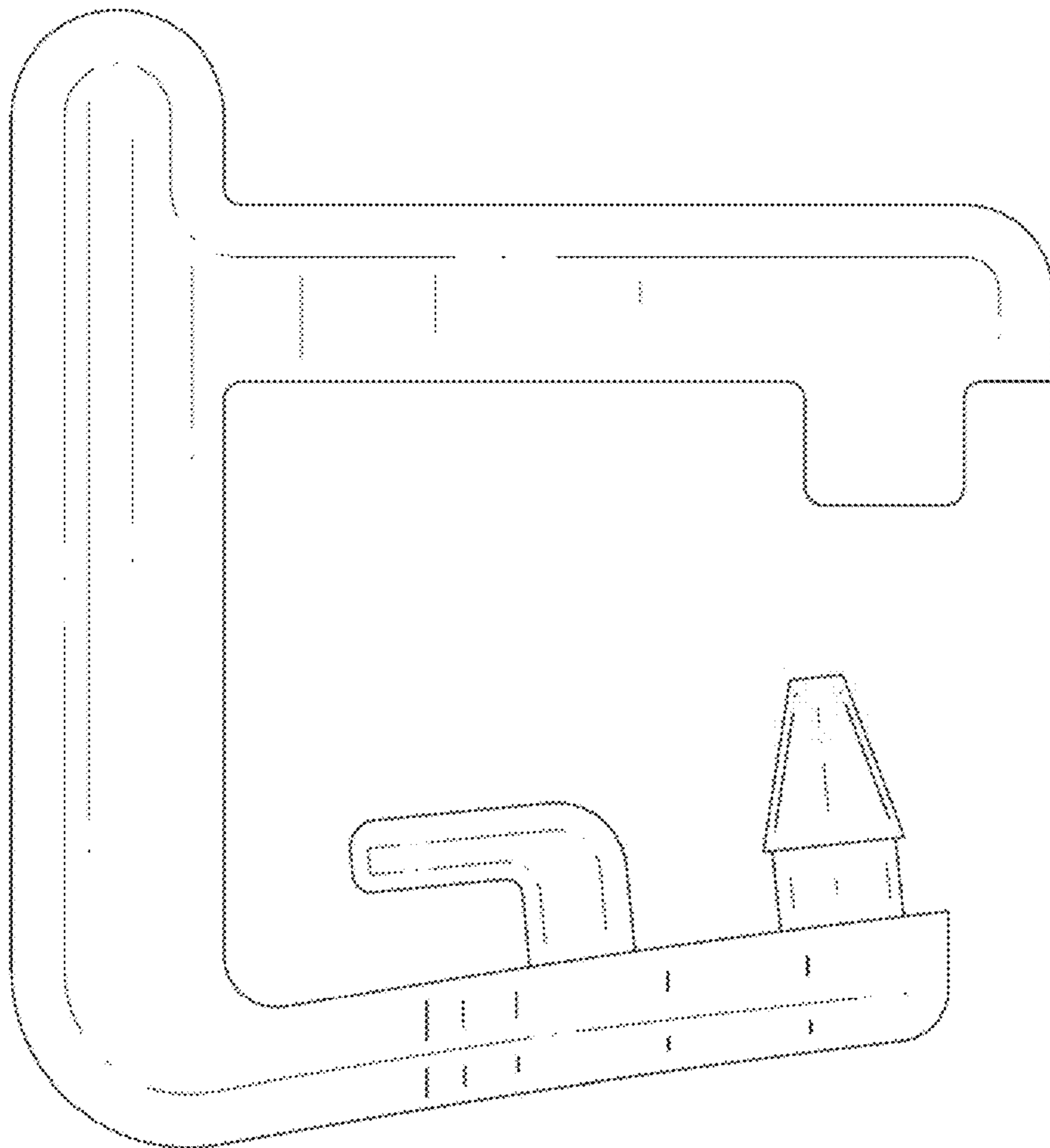


FIG. 6

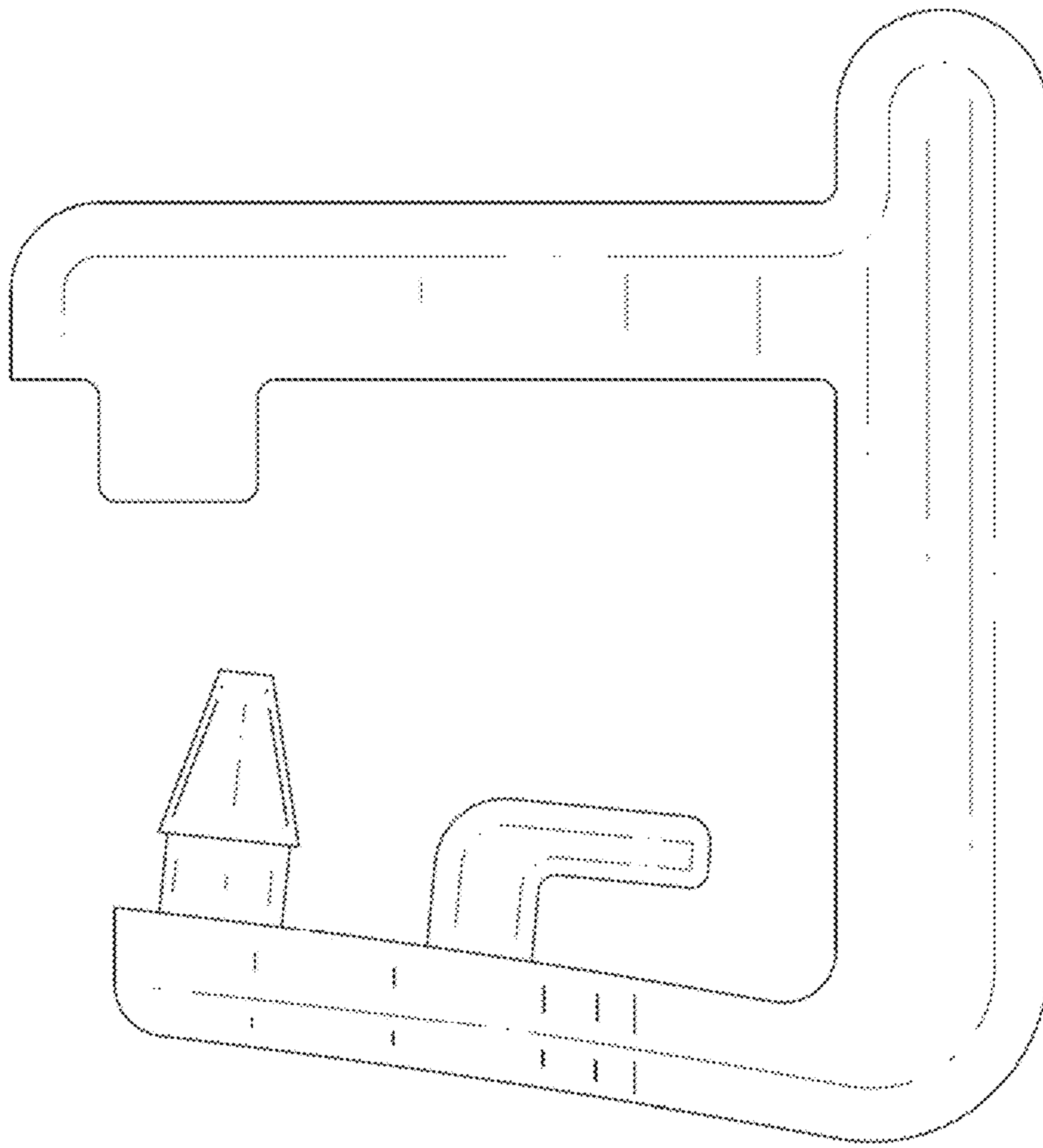


FIG. 7