



US00D879687S

(12) **United States Design Patent**
Remy et al.

(10) **Patent No.:** **US D879,687 S**
(45) **Date of Patent:** **** Mar. 31, 2020**

- (54) **BRAKE SLIDER**
- (71) Applicant: **Syscend, Inc.**, Irvine, CA (US)
- (72) Inventors: **Steve Remy**, Chicago, IL (US); **Brian Michael Riley**, Newport Beach, CA (US)
- (73) Assignee: **Syscend, Inc.**, Irvine, CA (US)
- (**) Term: **15 Years**
- (21) Appl. No.: **29/609,887**
- (22) Filed: **Jul. 6, 2017**
- (51) **LOC (12) Cl.** **12-16**
- (52) **U.S. Cl.**
USPC **D12/180**
- (58) **Field of Classification Search**
USPC D12/123, 179, 180
CPC F16D 65/14; F16D 65/092; F16D 65/0006;
F15D 55/226; B62L 1/005
See application file for complete search history.

- D495,635 S * 9/2004 Everett D12/180
- D603,766 S * 11/2009 Huang D12/180
- D603,767 S * 11/2009 Crippa D12/180
- 8,230,984 B2 * 7/2012 Moore F16D 65/14
188/71.1
- D688,996 S * 9/2013 Arbesman D12/180
- 8,960,378 B2 * 2/2015 Moore F16D 65/092
188/24.12
- 9,759,277 B2 * 9/2017 Kobayashi F16D 65/0006
- 2017/0283000 A1 * 10/2017 Huang B62L 1/005

* cited by examiner

Primary Examiner — Susan E Krakower
Assistant Examiner — Jerry Shiuan-Hua Hsu
(74) *Attorney, Agent, or Firm* — Staniford Tomita LLP

(57) **CLAIM**

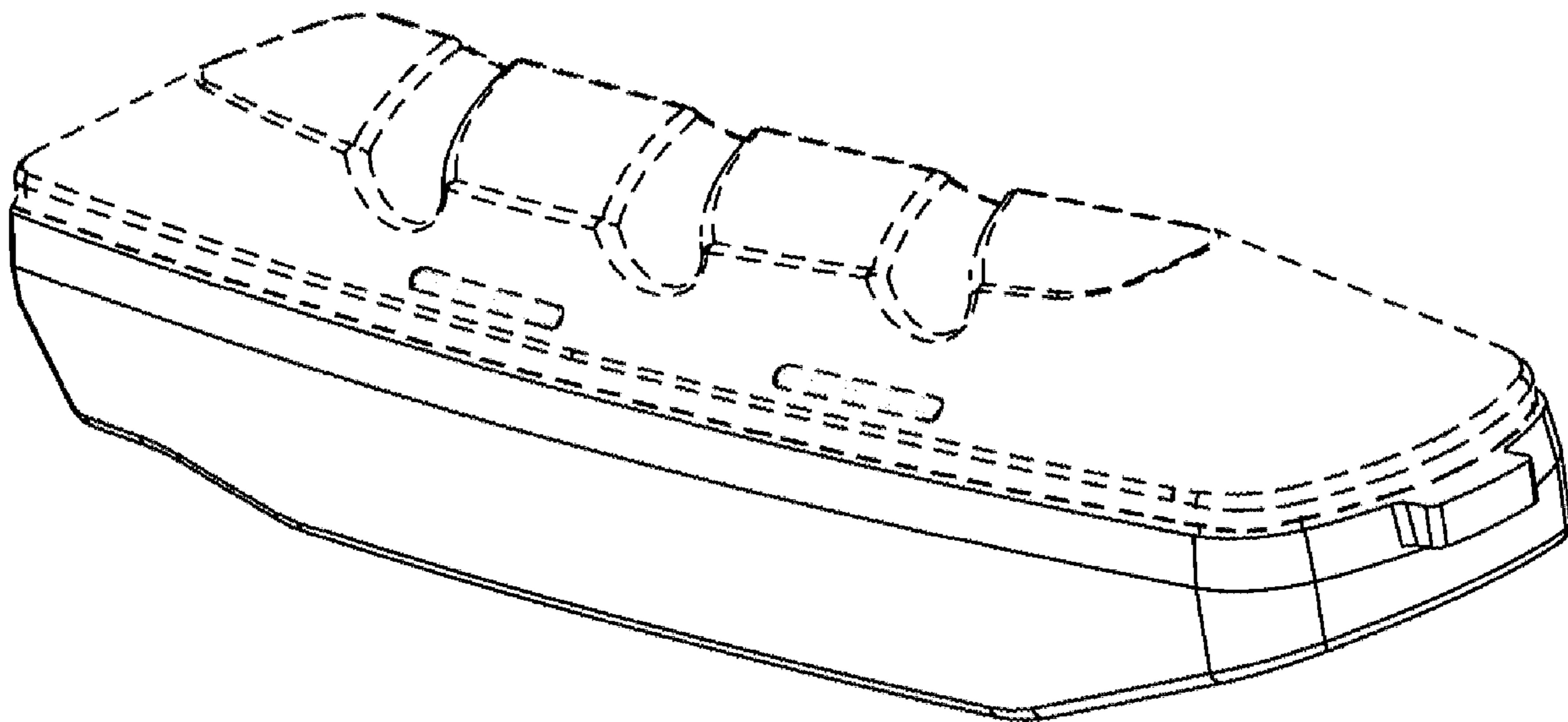
The ornamental design for a brake slider, as shown and described.

DESCRIPTION

FIG. 1 is a perspective view of a design of a brake slider, showing my new design;
FIG. 2 is a top view thereof;
FIG. 3 is a right side view thereof;
FIG. 4 is a left side view thereof;
FIG. 5 illustrates a bottom view thereof;
FIG. 6 illustrates a rear view thereof; and,
FIG. 7 illustrates a front view thereof.
The broken lines illustrate portions of the brake slider that form no part of the claimed design.

1 Claim, 3 Drawing Sheets

- (56) **References Cited**
U.S. PATENT DOCUMENTS
- D281,874 S * 12/1985 King D12/180
- D295,847 S * 5/1988 Everett D12/180
- D310,199 S * 8/1990 Herner D12/180
- 5,107,965 A * 4/1992 Yates B62L 1/005
188/24.11
- D436,334 S * 1/2001 Takizawa D12/180



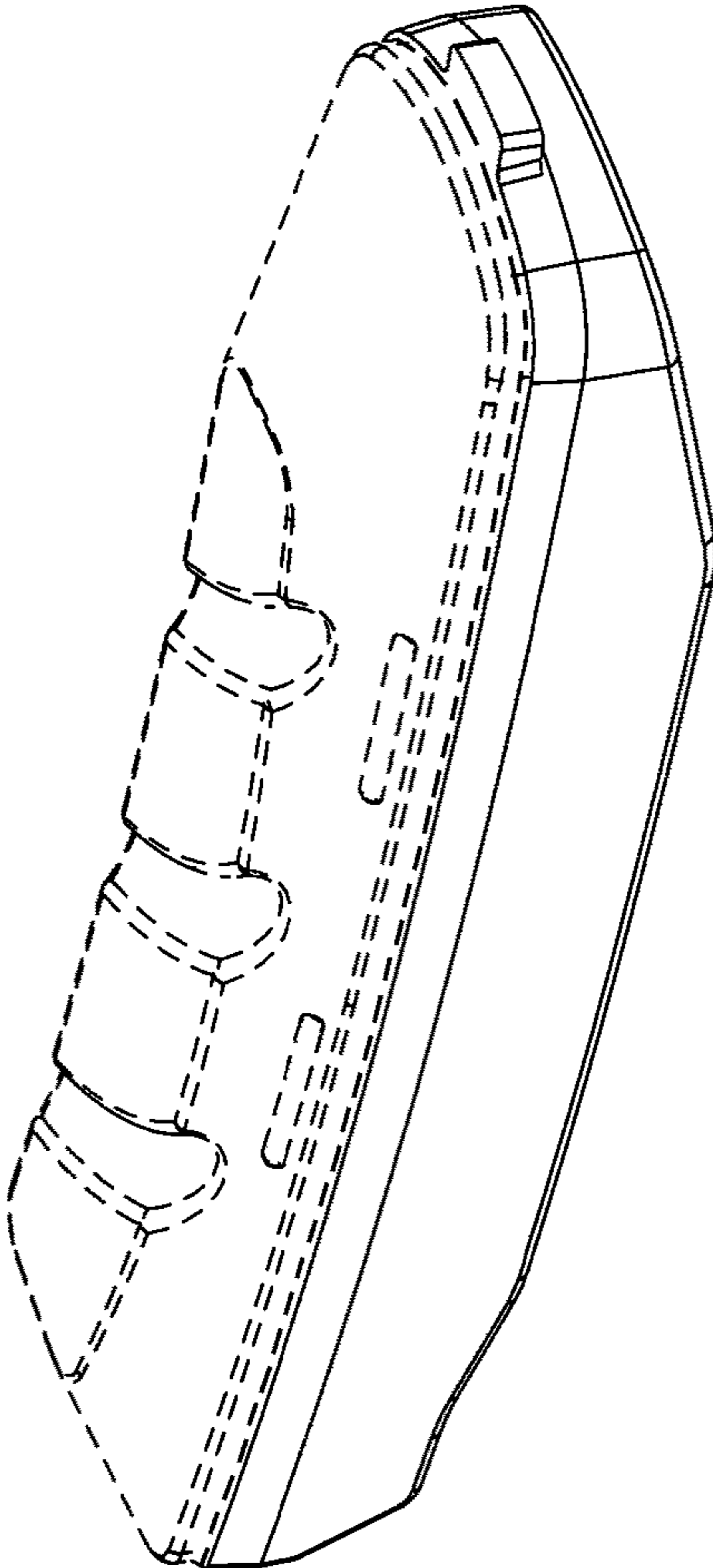


FIG. 1

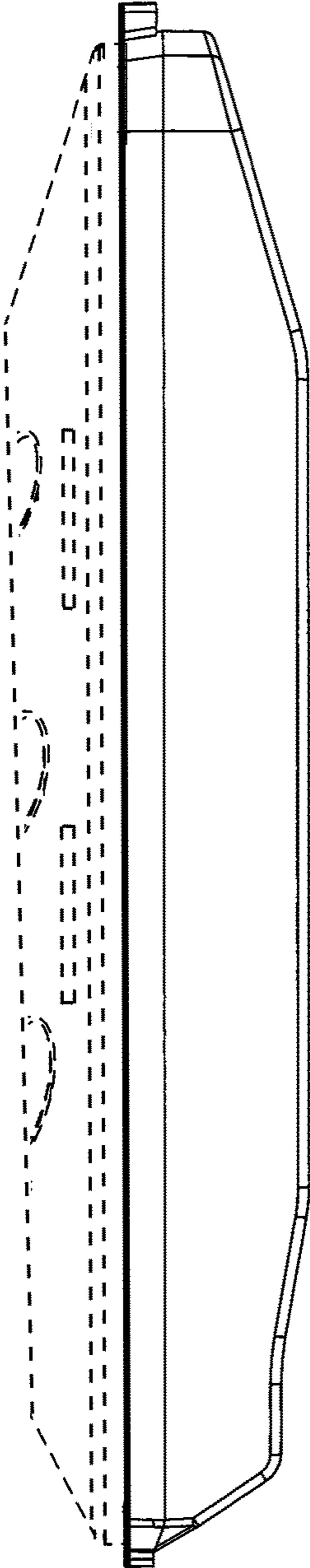


FIG. 2

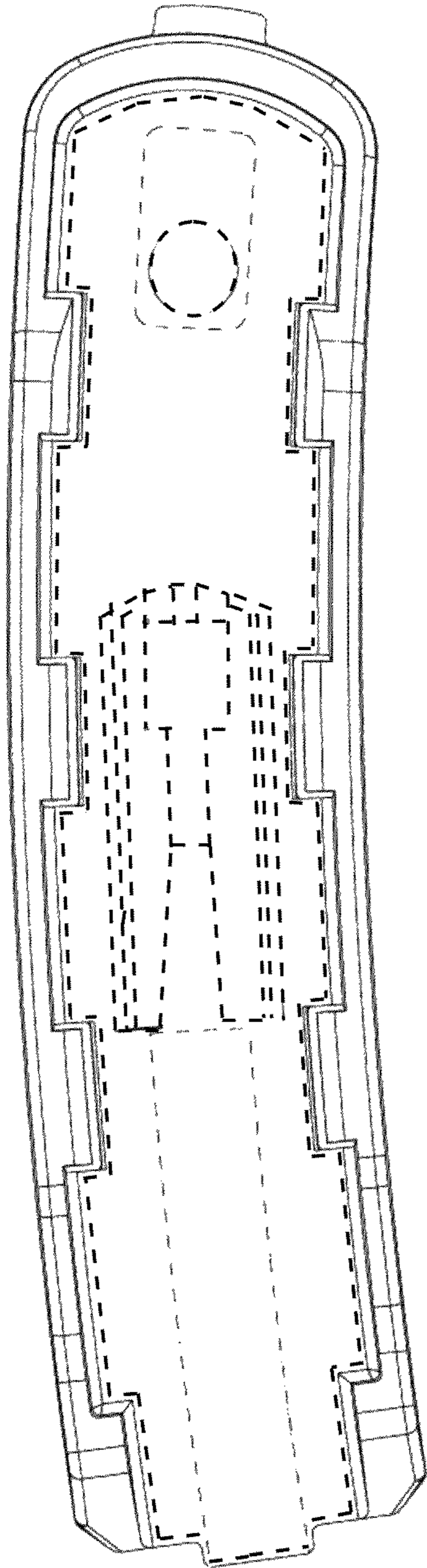


FIG. 3

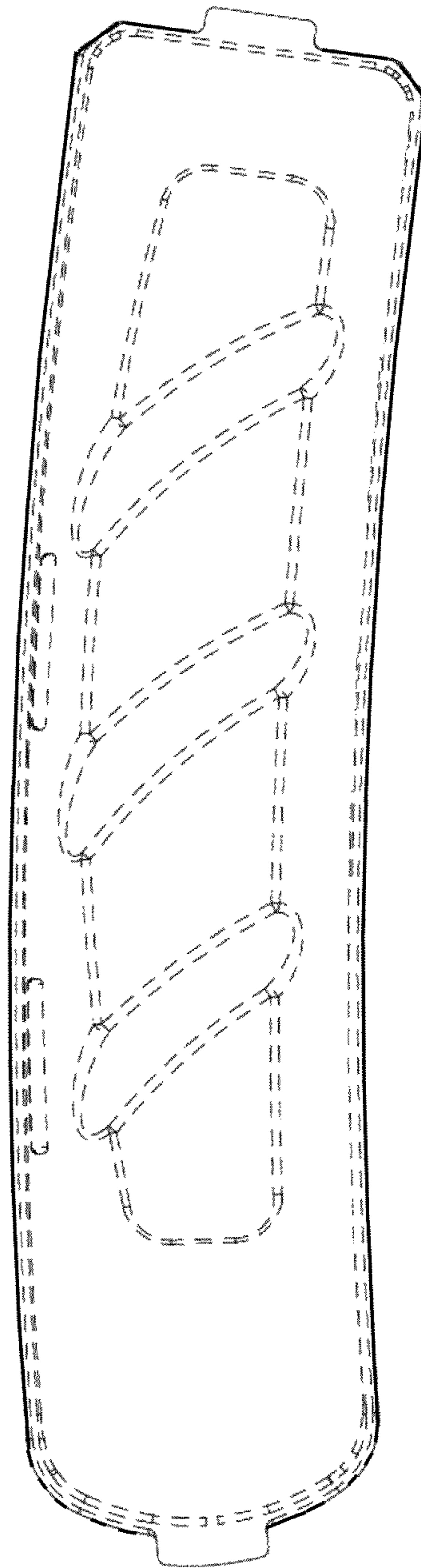


FIG. 4

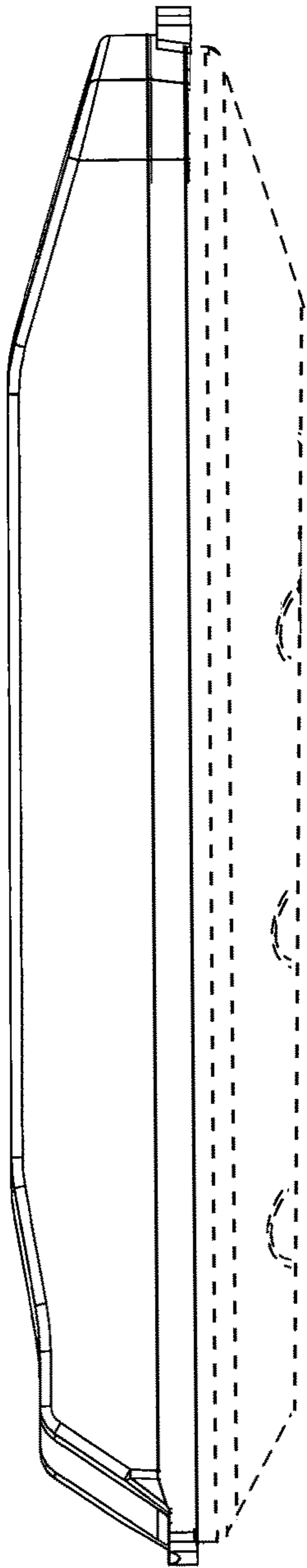


FIG. 5

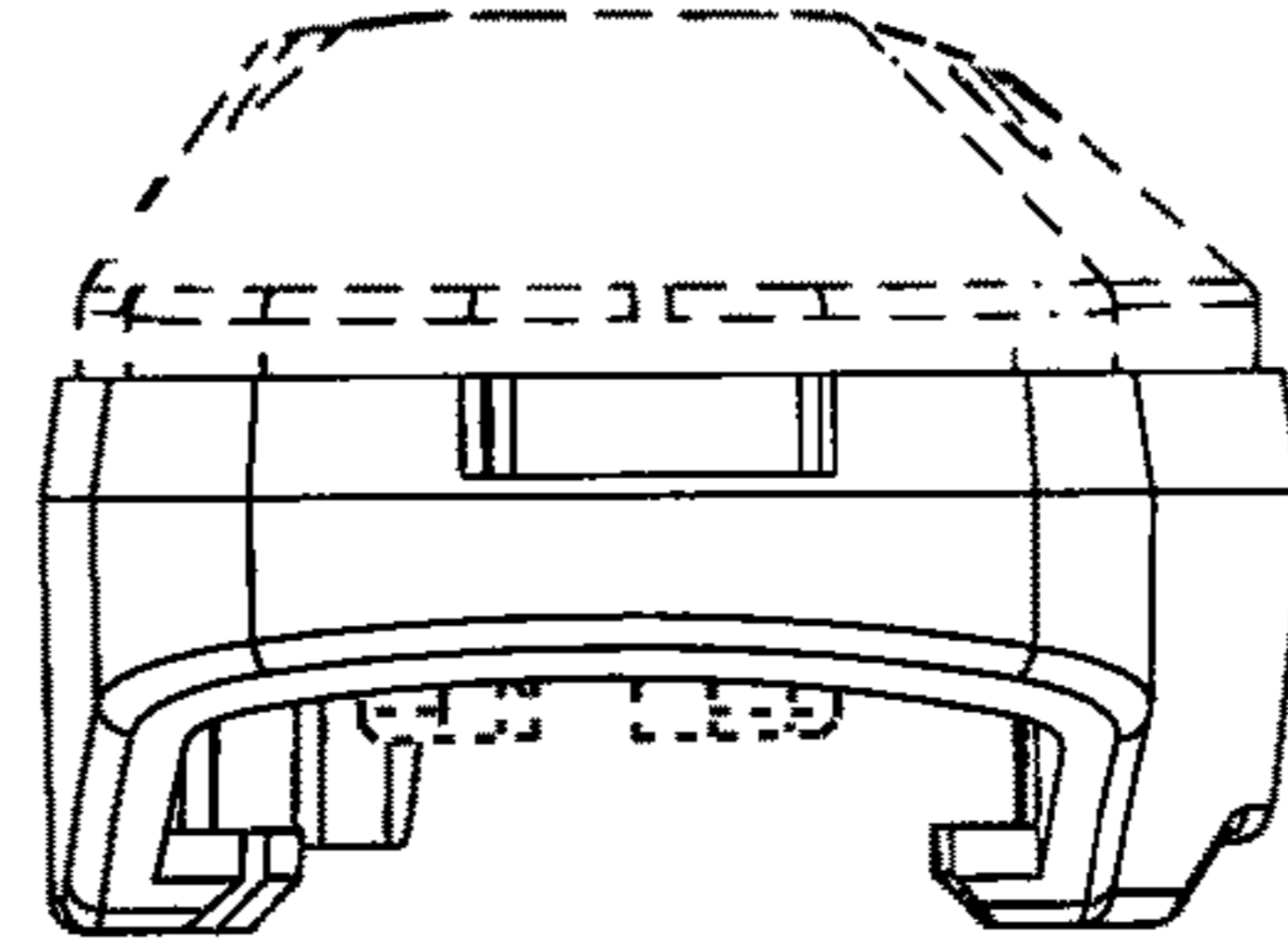


FIG. 7

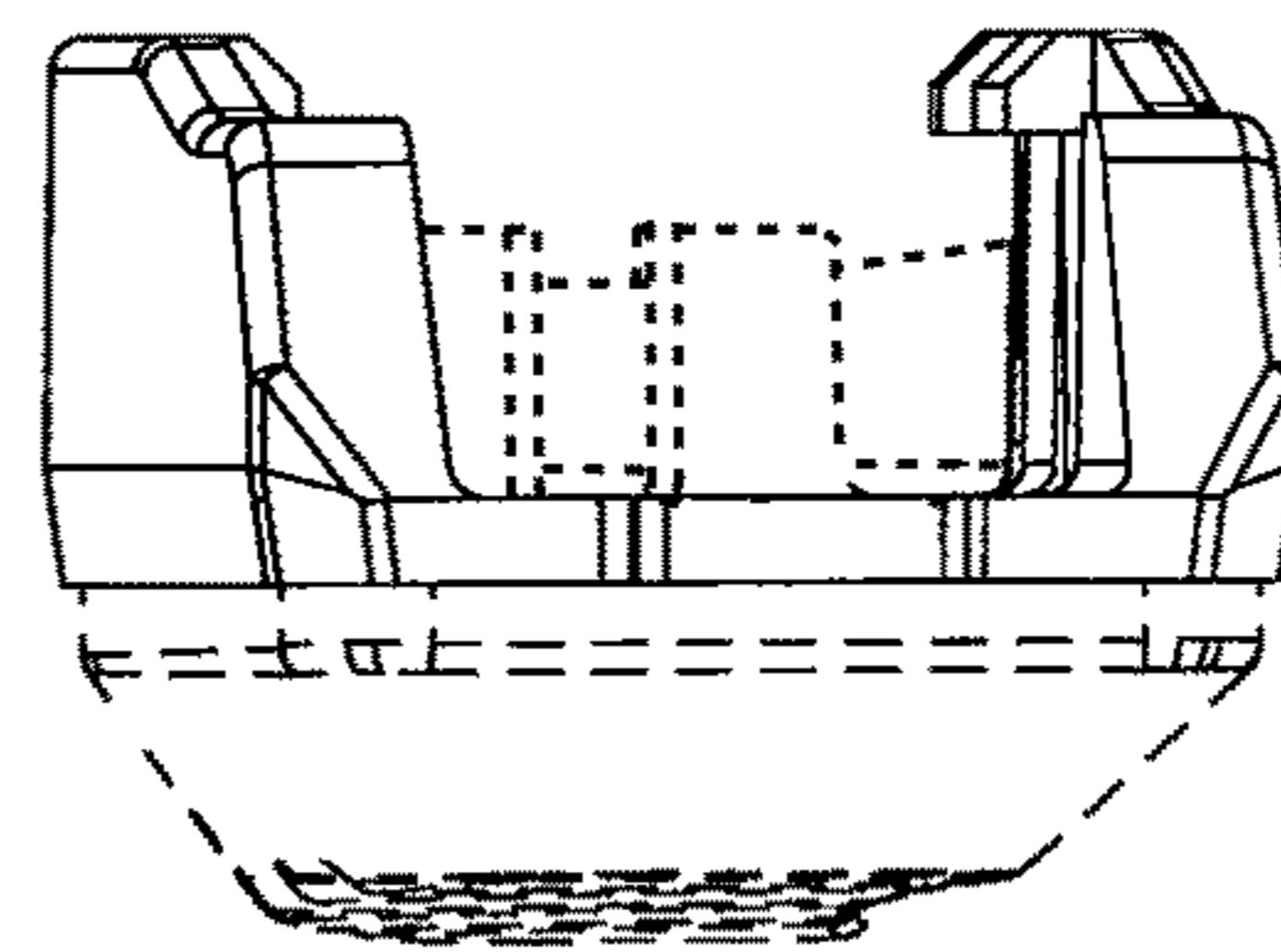


FIG. 6