



US00D879686S

(12) **United States Design Patent**
Marshall et al.

(10) **Patent No.:** **US D879,686 S**
(45) **Date of Patent:** **** Mar. 31, 2020**

(54) **VEHICLE FRONT BUMPER**

(71) Applicants: **Chad Marshall**, Lakeland, FL (US);
Everson Fortes Silva, Tampa, FL (US)

(72) Inventors: **Chad Marshall**, Lakeland, FL (US);
Everson Fortes Silva, Tampa, FL (US)

(73) Assignee: **Chad C. Marshall**, Mulberry, FL (US)

(**) Term: **15 Years**

(21) Appl. No.: **29/668,118**

(22) Filed: **Oct. 27, 2018**

(51) **LOC (12) Cl.** **12-16**

(52) **U.S. Cl.**
USPC **D12/171; D12/169**

(58) **Field of Classification Search**
USPC D12/86, 90, 91, 92, 163, 164, 169, 171,
D12/196, 216
CPC B60R 19/02; B60R 19/18; B60R 19/24;
B60R 19/56; B60R 2019/007; B62D
25/0845
See application file for complete search history.

(56) **References Cited**

U.S. PATENT DOCUMENTS

D300,128 S * 3/1989 Brennan D12/169
D375,067 S * 10/1996 Bronstein D12/169
D432,469 S * 10/2000 Nelson D12/169
D502,433 S * 3/2005 McClanahan D12/169
7,703,834 B1 * 4/2010 Hardy B60R 9/06
296/102

D744,384 S * 12/2015 Harriton D12/169
D744,387 S * 12/2015 Harriton D12/169
D751,012 S * 3/2016 Hare D12/169
D760,133 S * 6/2016 Bennett D12/171
D771,537 S * 11/2016 Hare D12/169
D775,013 S * 12/2016 Bennett D12/169
D775,016 S * 12/2016 Reynolds D12/171
D776,582 S * 1/2017 Bennett D12/169
D777,619 S * 1/2017 Barajas D12/167
D792,818 S * 7/2017 McMath D12/169
D793,304 S * 8/2017 McMath D12/169
D800,036 S * 10/2017 Bennett D12/169
D826,115 S * 8/2018 Chi D12/172
D833,922 S * 11/2018 DiCanzio D12/163
D847,051 S * 4/2019 DiCanzio D12/171
2017/0088076 A1 * 3/2017 Fujimoto B60R 19/44

* cited by examiner

Primary Examiner — Darlington Ly

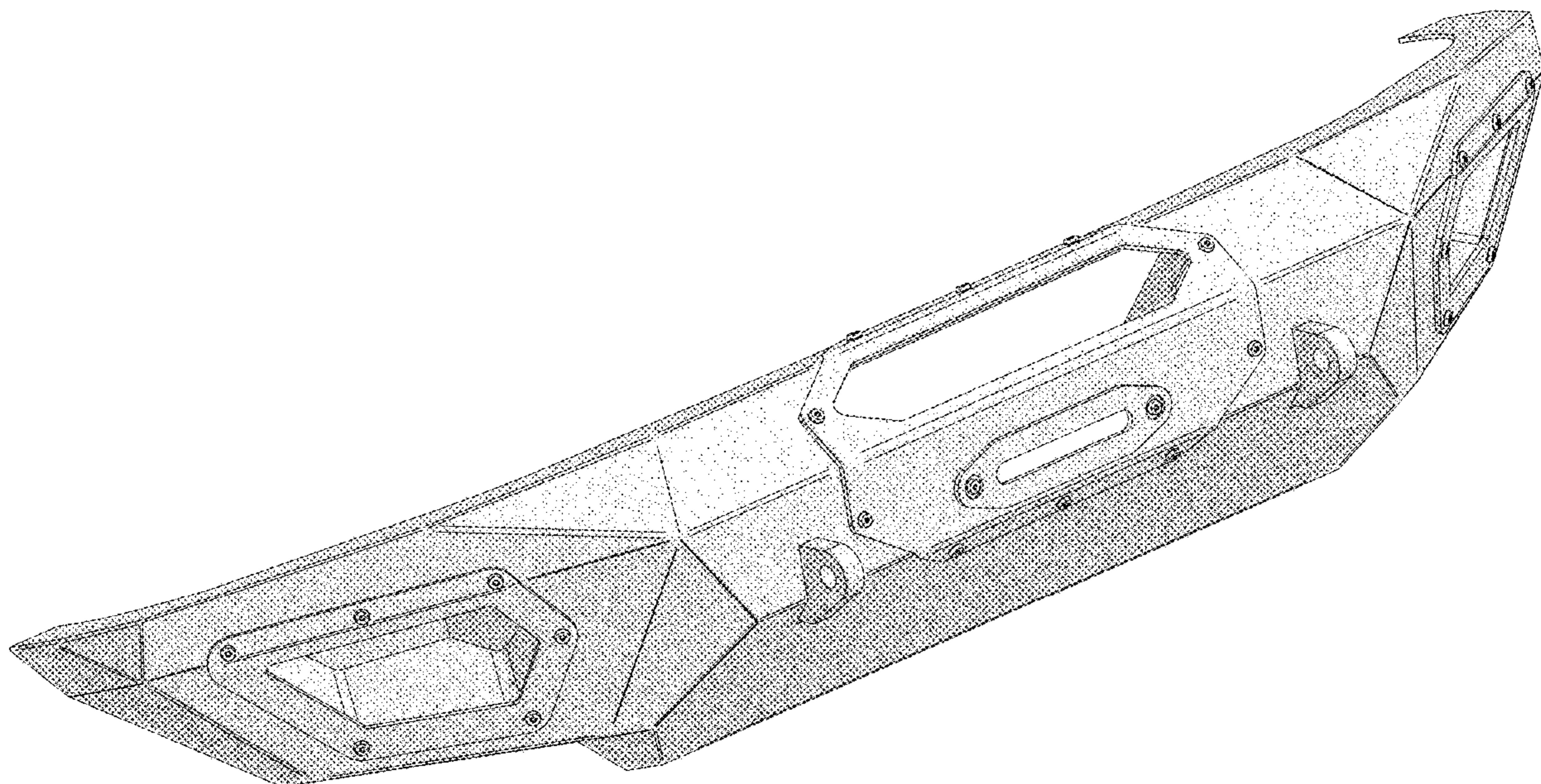
(57) **CLAIM**

The ornamental design for a vehicle front bumper, as shown and described.

DESCRIPTION

FIG. 1 is a front perspective view of a vehicle front bumper showing our new design;
FIG. 2 is a rear perspective view thereof;
FIG. 3 is a front elevation view thereof;
FIG. 4 is a rear elevation view thereof;
FIG. 5 is a top plan view thereof;
FIG. 6 is a bottom plan view thereof;
FIG. 7 is a left side elevation view thereof; and,
FIG. 8 is a right side elevation view thereof.

1 Claim, 7 Drawing Sheets



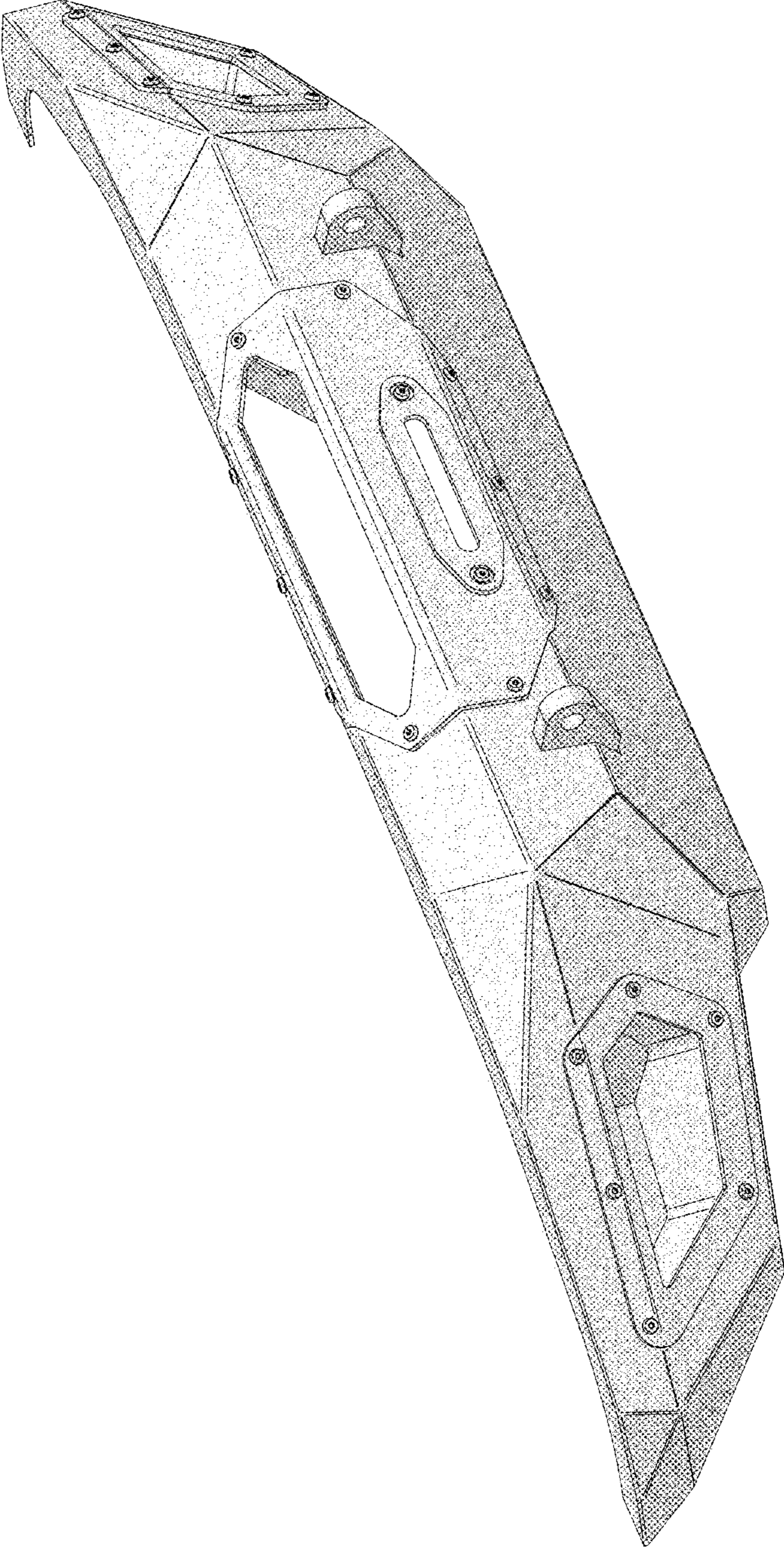


FIG. 1

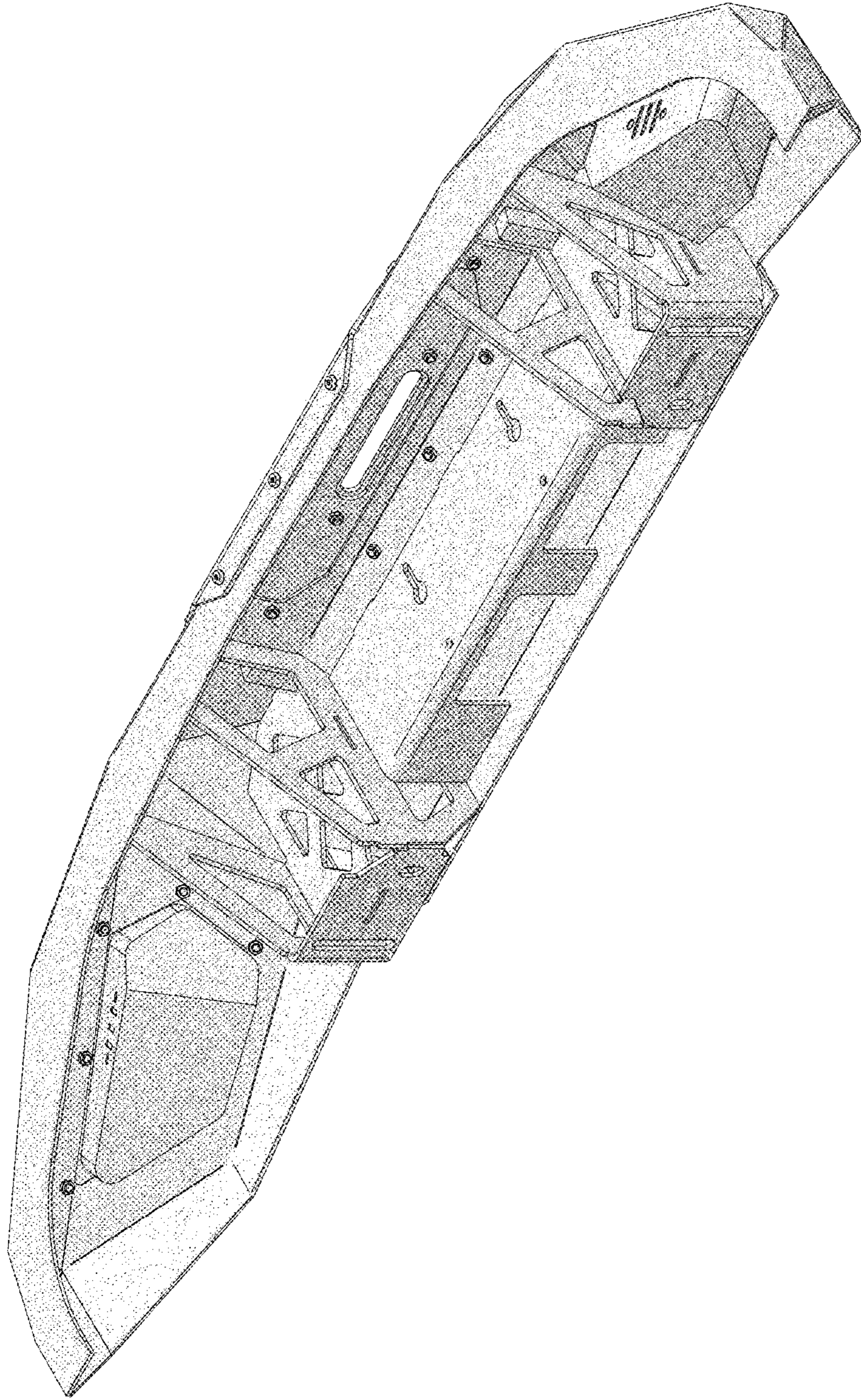


FIG. 2

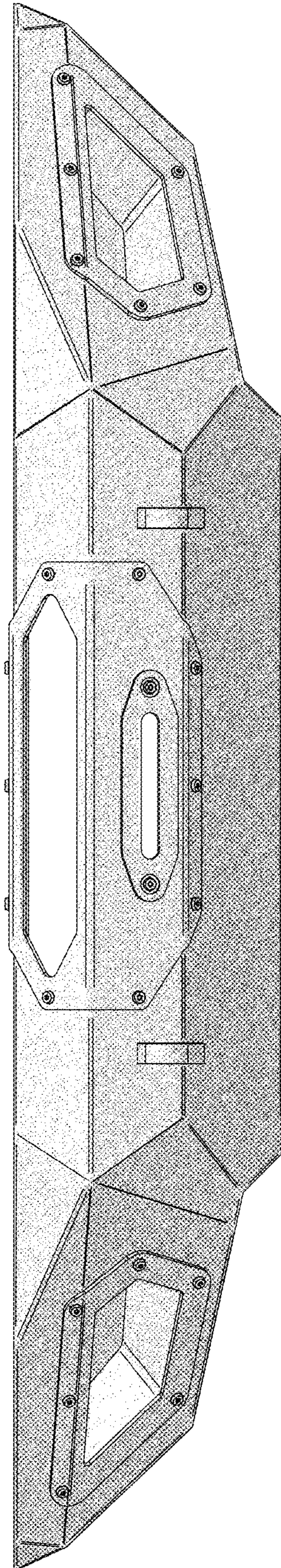


FIG. 3

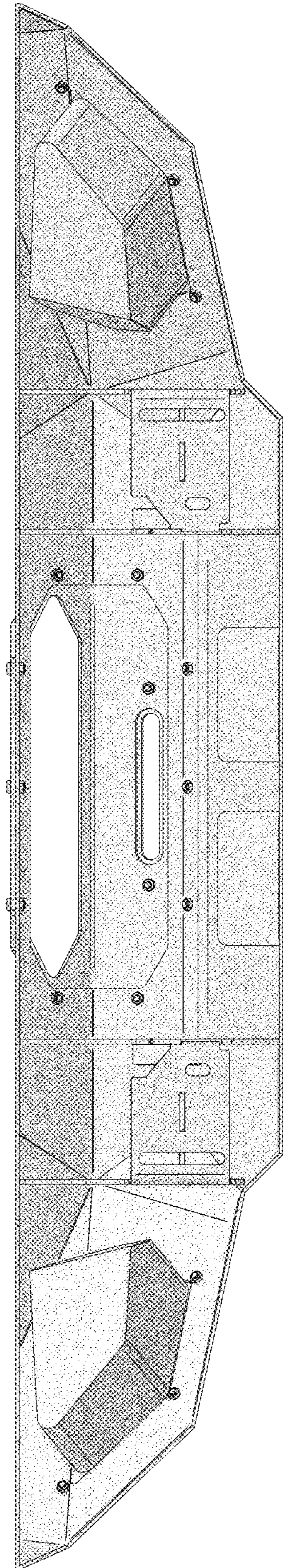


FIG. 4

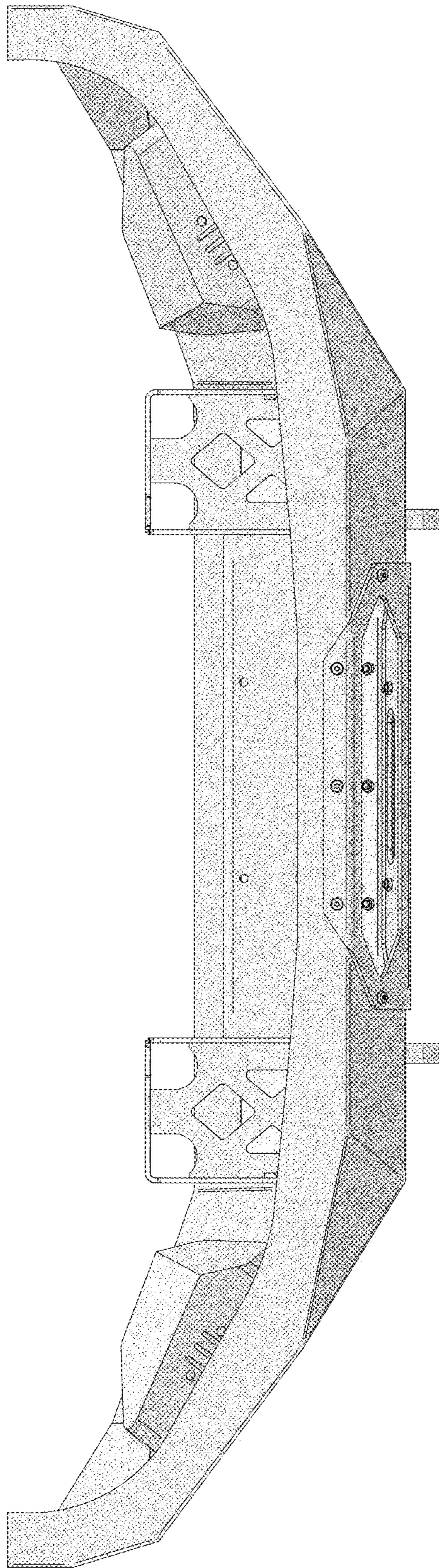


FIG. 5

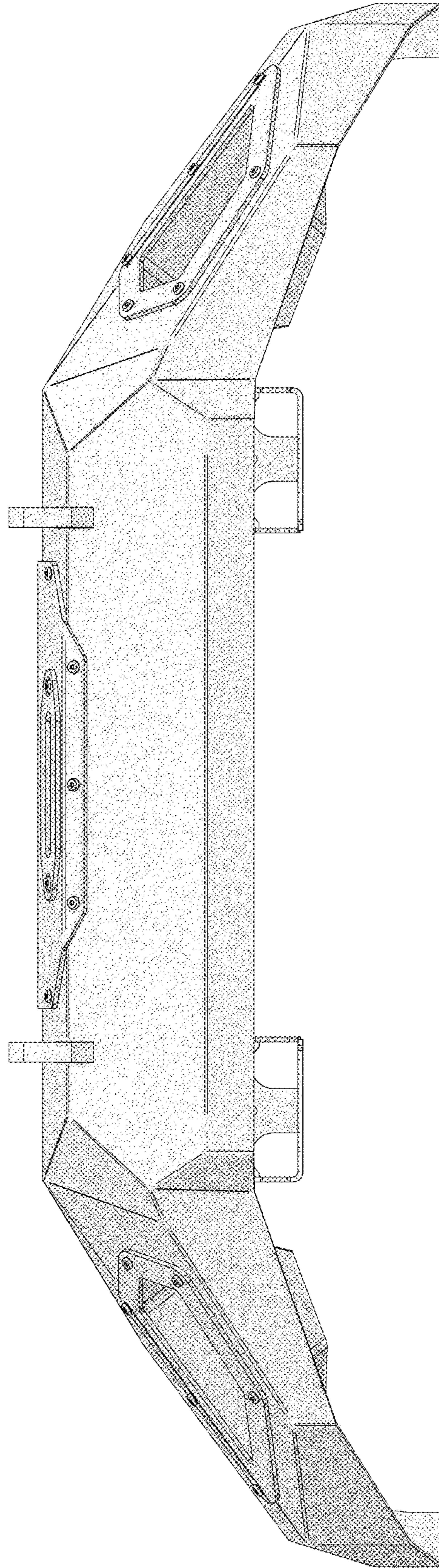


FIG. 6

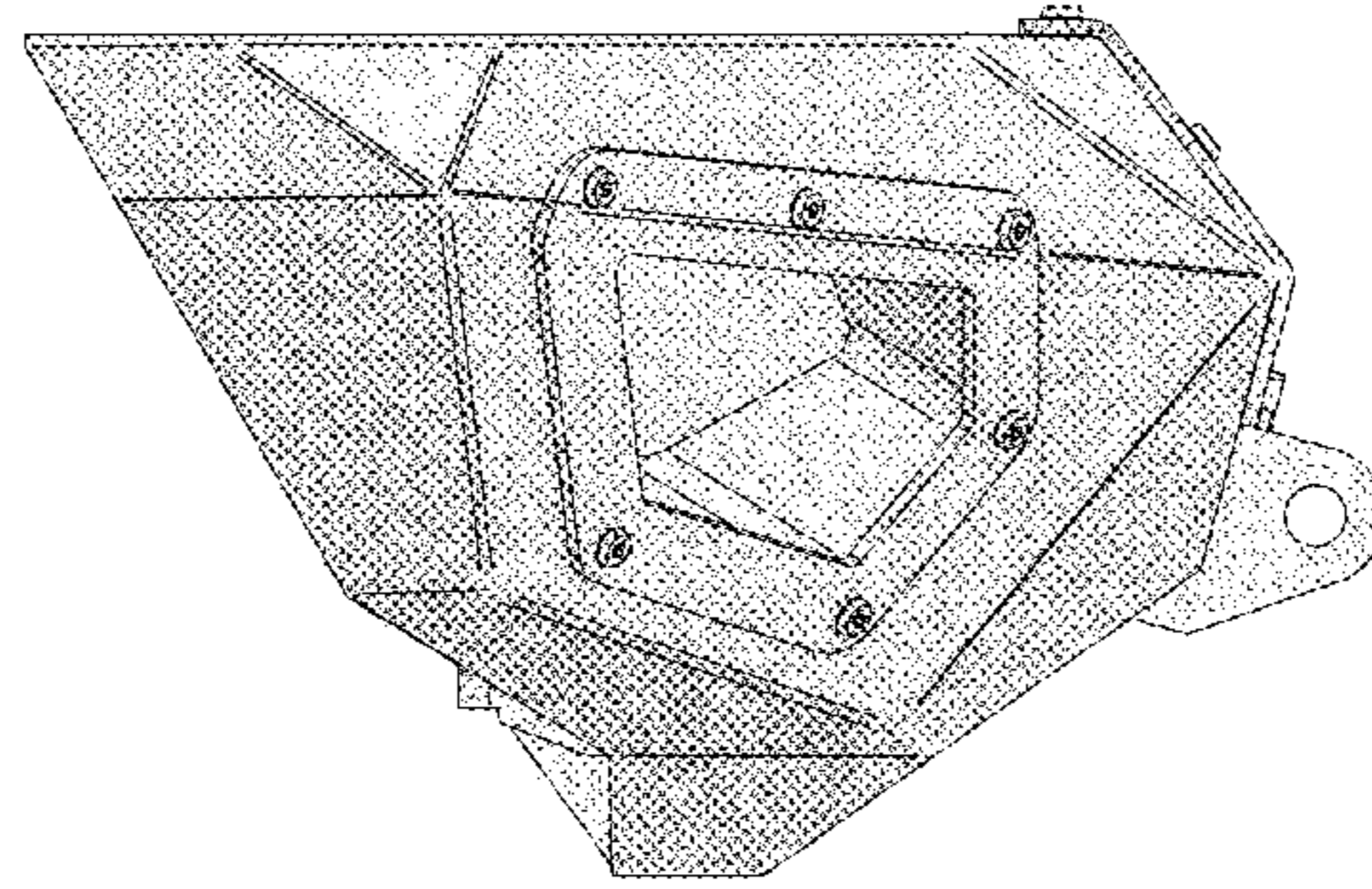


FIG. 7

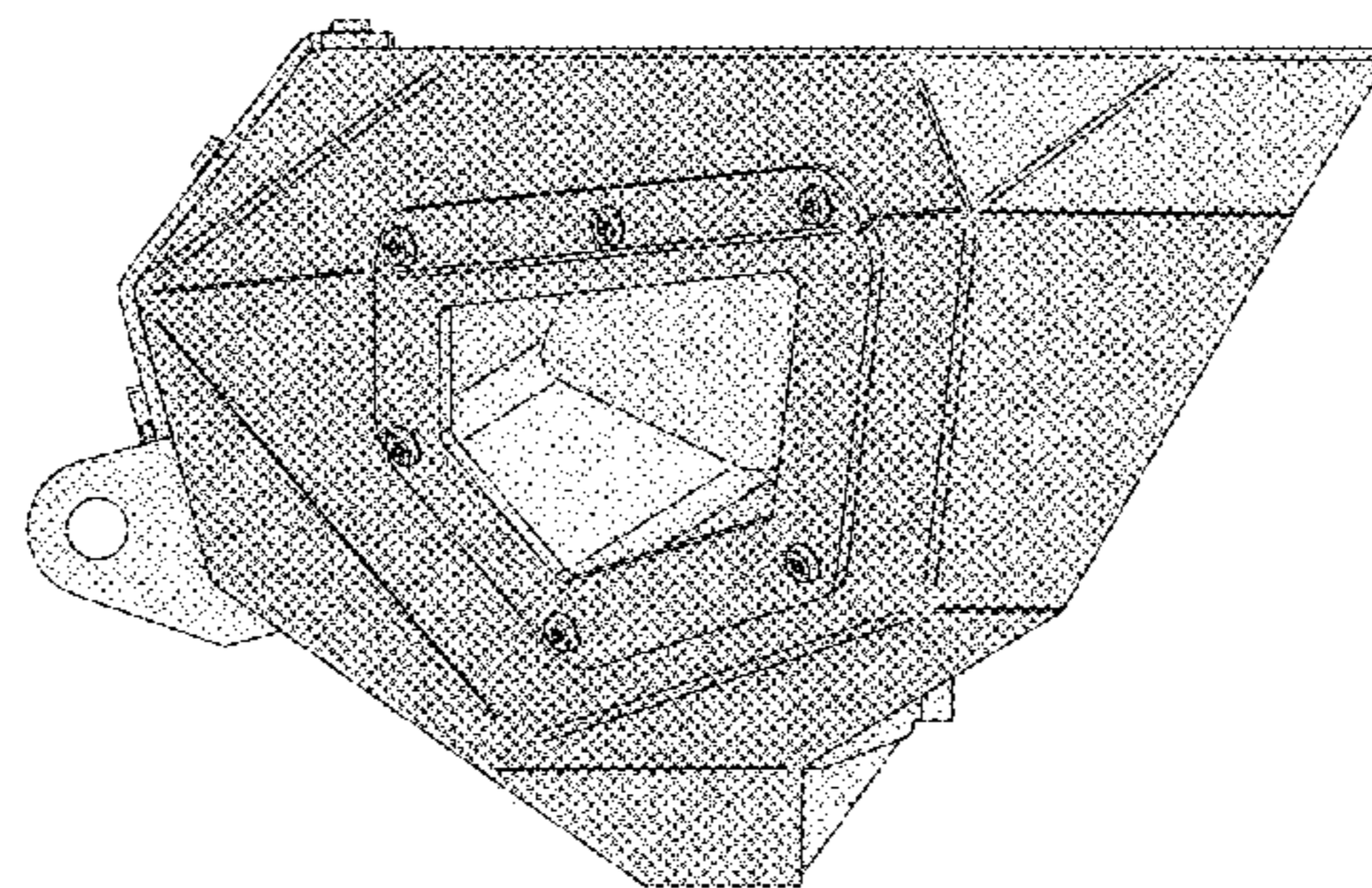


FIG. 8