



US00D879685S

(12) **United States Design Patent**
Bennett et al.

(10) **Patent No.:** **US D879,685 S**
(45) **Date of Patent:** **** Mar. 31, 2020**

- (54) **REAR BUMPER**
- (71) Applicant: **OMIX-ADA, INC.**, Ann Arbor, MI (US)
- (72) Inventors: **Patrick W. Bennett**, Gainesville, GA (US); **Klayton David Roche**, Ocala, FL (US)
- (73) Assignee: **OMIX-ADA, INC.**, Ann Arbor, MI (US)
- (**) Term: **15 Years**

- D589,416 S 3/2009 Osborne et al.
- D594,390 S 6/2009 Akasawa et al.
- D599,722 S 9/2009 Kimura
- D610,499 S 2/2010 Truebsbach
- 7,703,834 B1 * 4/2010 Hardy B60R 9/06 296/102
- 7,891,452 B2 2/2011 Iwamoto et al.
- D639,215 S 6/2011 Faghihzadeh
- D640,613 S 6/2011 Bauer et al.
- D671,049 S 11/2012 Davidson et al.
- D671,052 S 11/2012 Fetherston et al.
- D671,054 S 11/2012 Yamada et al.
- D671,055 S 11/2012 Nakamura et al.
- D673,088 S 12/2012 Thompson
- D678,826 S 3/2013 Akamine et al.

(Continued)

- (21) Appl. No.: **29/668,048**
- (22) Filed: **Oct. 26, 2018**
- (51) **LOC (12) Cl.** **12-16**
- (52) **U.S. Cl.**
USPC **D12/171; D12/169**
- (58) **Field of Classification Search**
USPC D12/86, 90, 91, 92, 163, 164, 169, 171, D12/196, 216
CPC B60R 19/02; B60R 19/18; B60R 19/24; B60R 19/56; B60R 2019/007; B62D 25/0845
See application file for complete search history.

OTHER PUBLICATIONS

Potentially Related U.S. Appl. No. 29/544,303, filed Nov. 2, 2015, granted as U.S. Pat. No. D. 803,734 on Nov. 28, 2017.

Primary Examiner — Darlington Ly
(74) *Attorney, Agent, or Firm* — The Dobrusin Law Firm, P.C.

(57) **CLAIM**

The ornamental design for a rear bumper, as shown and described.

(56) **References Cited**

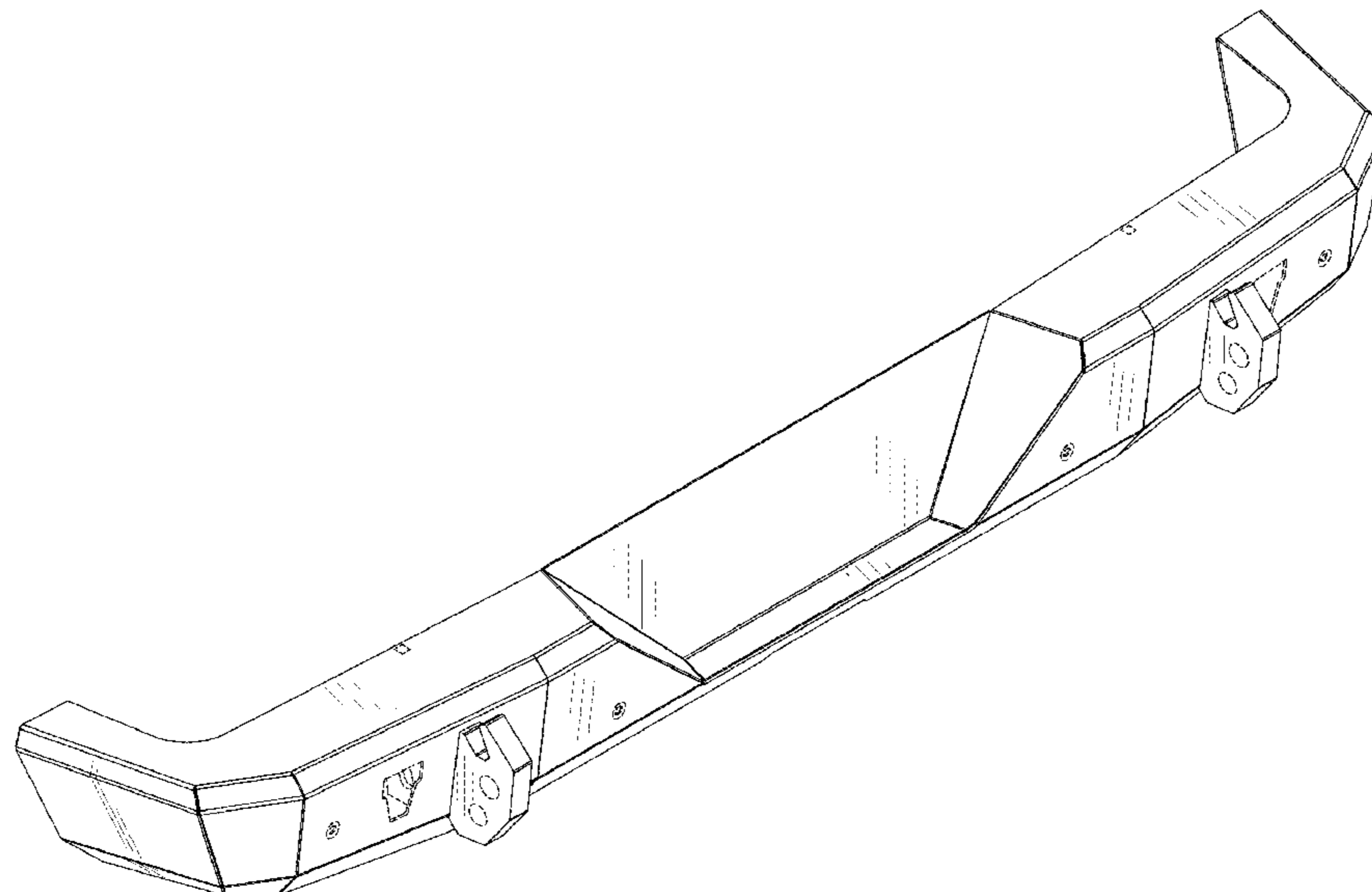
DESCRIPTION

U.S. PATENT DOCUMENTS

- 1,531,022 A 3/1925 Pancoast
- D115,146 S 6/1939 Falcon
- D127,664 S 6/1941 Walker
- 2,731,289 A 1/1956 Corydon, II
- 6,520,553 B2 2/2003 Muramatsu
- D507,998 S 8/2005 Metros et al.
- D525,922 S 8/2006 Taguchi et al.
- D555,054 S 11/2007 Suzuki et al.
- D580,321 S 11/2008 Lamm
- D584,199 S 1/2009 Leclercq
- D586,706 S 2/2009 Bauer et al.
- D588,509 S 3/2009 Woolley et al.

FIG. 1 is a perspective view of a rear bumper showing our new design;
FIG. 2 is a front elevation view thereof;
FIG. 3 is a rear elevation view thereof;
FIG. 4 is a top plan view thereof;
FIG. 5 is a bottom plan view thereof;
FIG. 6 is a right side elevation view thereof; and,
FIG. 7 is a left side elevation view thereof.
The broken lines in the drawings illustrate portions of the rear bumper that form no part of the claimed design.

1 Claim, 3 Drawing Sheets



(56)

References Cited

U.S. PATENT DOCUMENTS

D680,479 S	4/2013	Frei et al.	D745,838 S	12/2015	Yamamoto
D683,281 S	5/2013	Harriton	D746,189 S	12/2015	Yamamoto et al.
D687,752 S	8/2013	Fetherston et al.	D749,468 S	2/2016	Frascella
D688,605 S	8/2013	Futschik et al.	D751,011 S	3/2016	Behmer et al.
D695,168 S	12/2013	Kawasaki	D751,012 S *	3/2016	Hare D12/169
D697,842 S	1/2014	Harriton	D756,863 S	5/2016	Lesnik et al.
D698,711 S	2/2014	Endo et al.	RE46,247 E	12/2016	Hanson et al.
D700,115 S	2/2014	Okumoto	D775,013 S	12/2016	Bennettl et al.
D700,116 S	2/2014	Wada	D776,582 S	1/2017	Bennett et al.
D701,799 S	4/2014	Futschik et al.	D777,619 S *	1/2017	Barajas D12/167
D705,140 S	5/2014	Kawasaki	D782,375 S	3/2017	Ito et al.
D715,707 S	10/2014	Johnson	D789,848 S	6/2017	Platto et al.
D718,680 S	12/2014	Galante et al.	D792,817 S *	7/2017	McMath D12/169
D731,370 S	6/2015	Howell et al.	D803,734 S	11/2017	Bennett et al.
D736,126 S	8/2015	Hammoud et al.	D811,956 S *	3/2018	Zeng D12/169
D736,127 S	8/2015	Hammoud et al.	D821,275 S *	6/2018	Eck D12/171
D738,271 S	9/2015	Glover et al.	D830,919 S *	10/2018	Zeng D12/167
D744,388 S	12/2015	Harriton	D832,161 S *	10/2018	Kobayashi D12/171
D744,389 S	12/2015	Kawasaki	D845,847 S *	4/2019	Piscitelli D12/169
D745,445 S	12/2015	Loeb	D846,460 S *	4/2019	Goodrich D12/169
			D846,462 S *	4/2019	DiCanzio D12/171
			D864,806 S *	10/2019	Wood D12/171
			2017/0088076 A1 *	3/2017	Fujimoto B60R 19/44

* cited by examiner

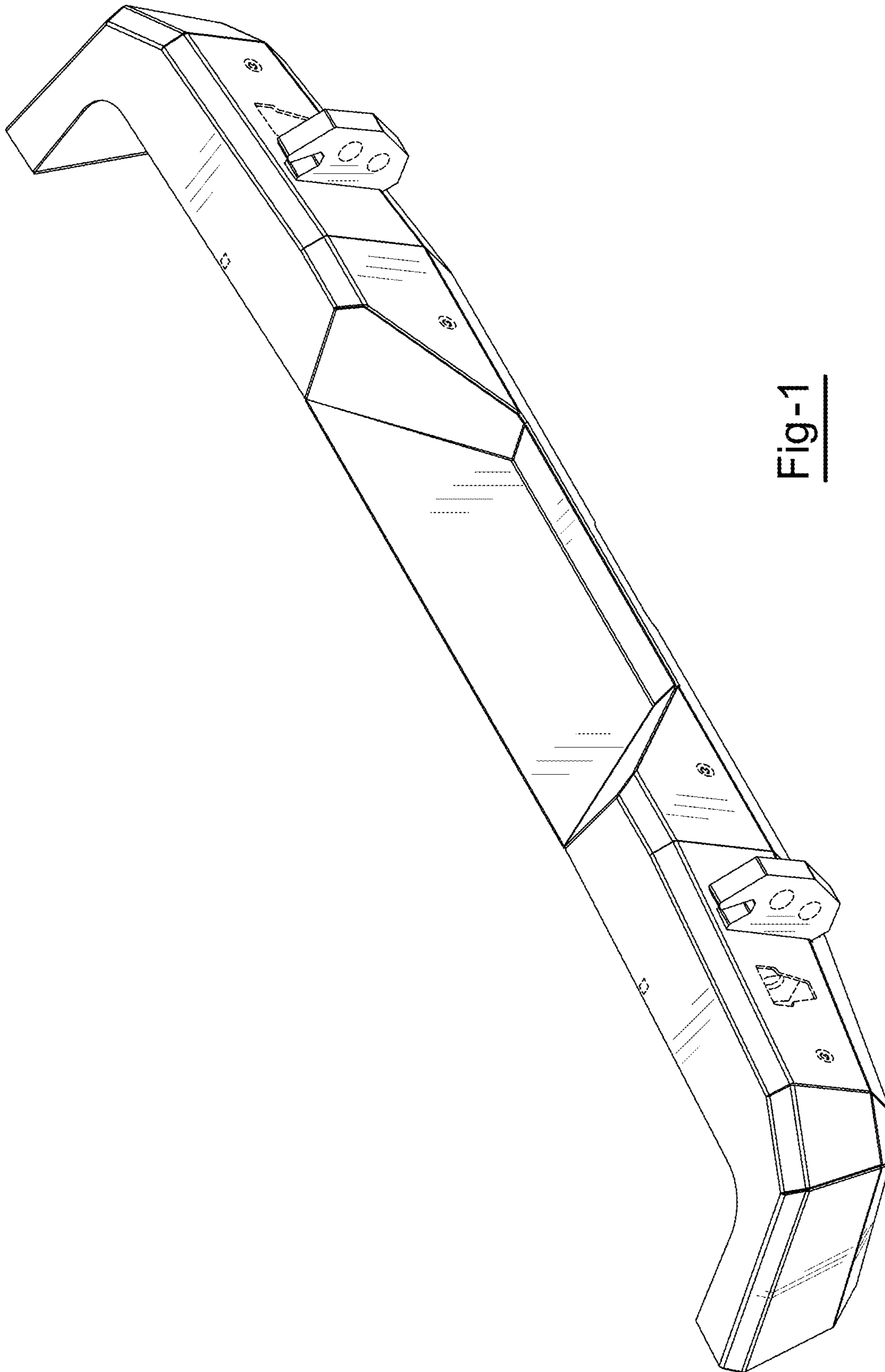


Fig-1

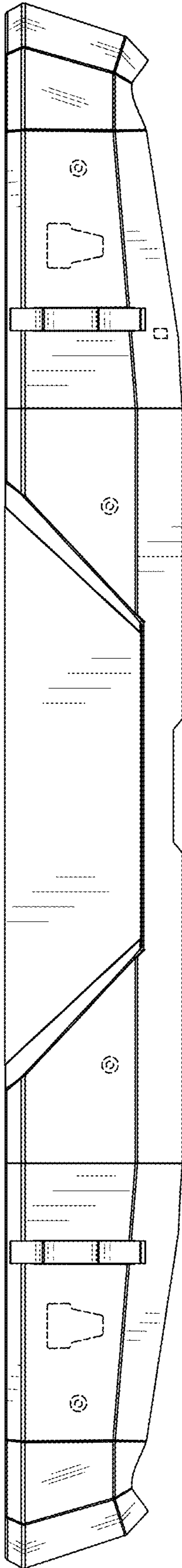


Fig-2

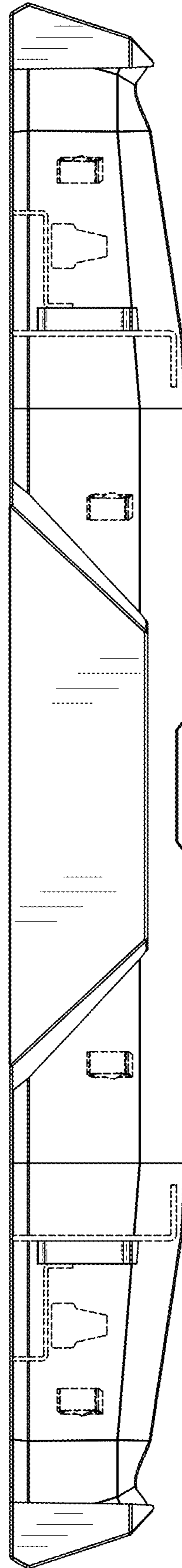


Fig-3

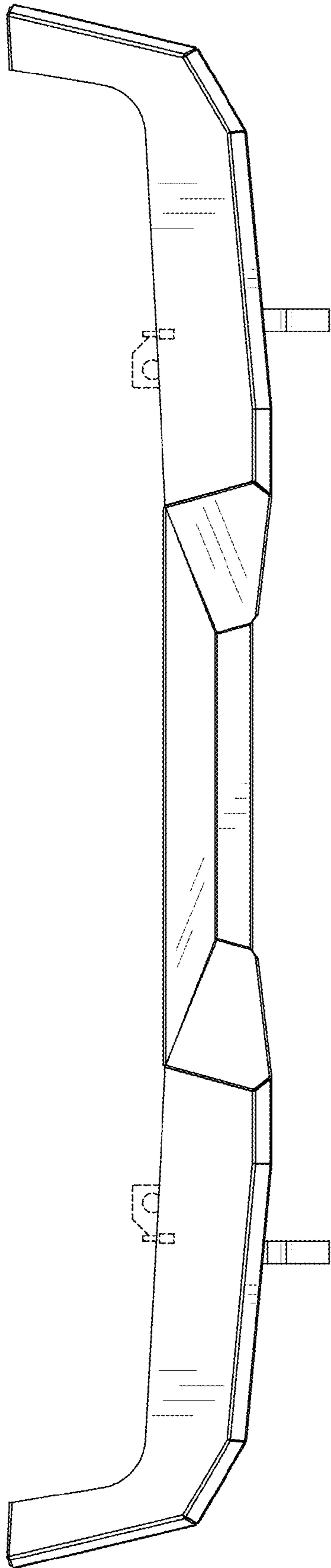


Fig-4

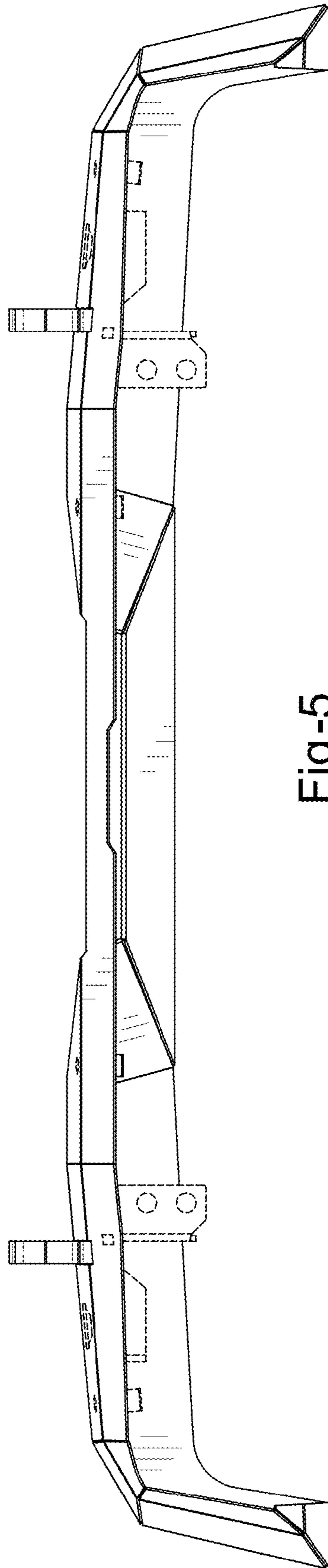


Fig-5

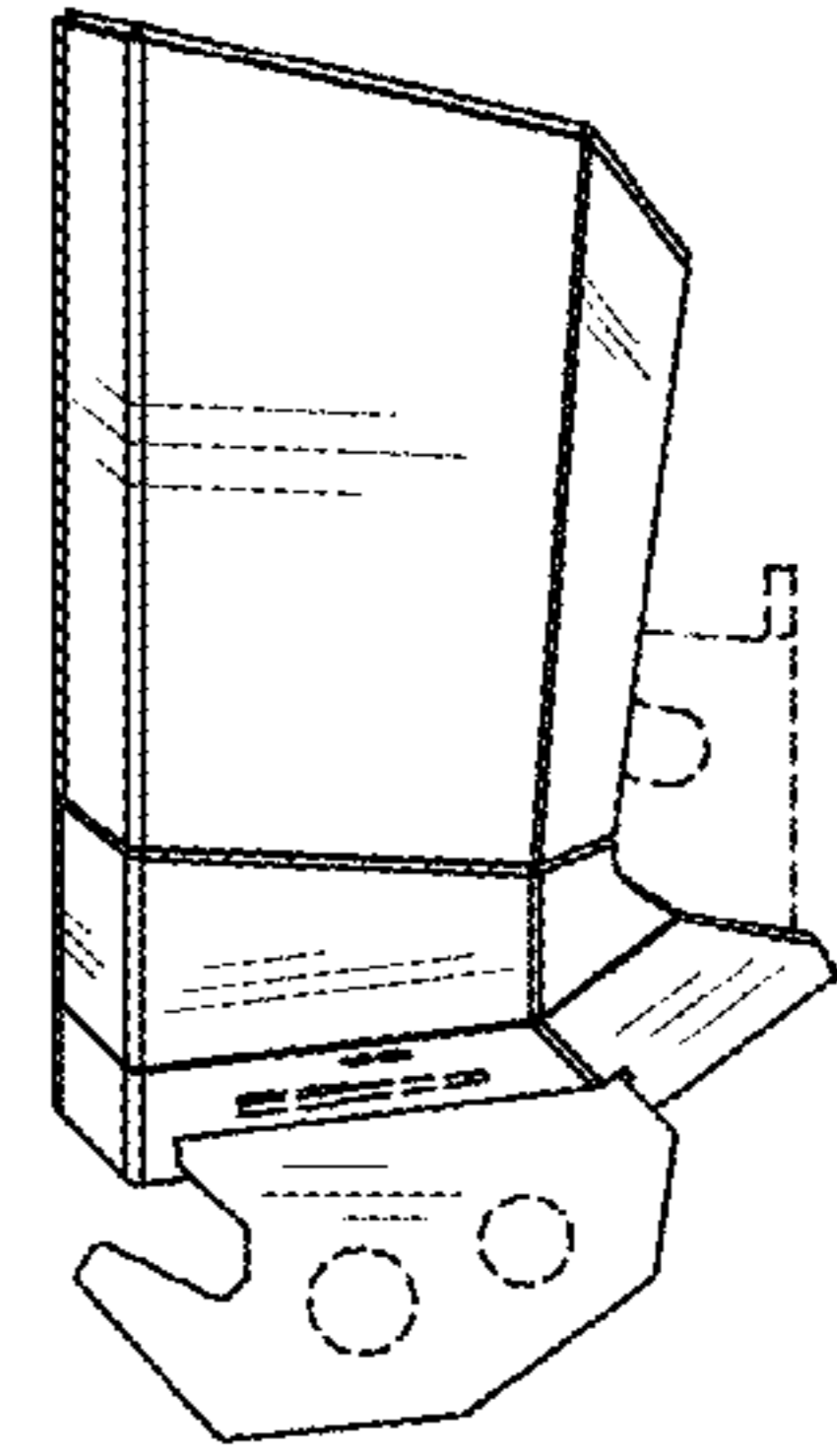


Fig-6



Fig-7