



US00D879684S

(12) **United States Design Patent**
Schell

(10) **Patent No.:** **US D879,684 S**

(45) **Date of Patent:** **** Mar. 31, 2020**

(54) **REAR BUMPER**

(71) Applicant: **HONDA MOTOR CO., LTD.**, Tokyo (JP)

(72) Inventor: **Damon Schell**, Long Beach, CA (US)

(73) Assignee: **HONDA MOTOR CO., LTD.**, Tokyo (JP)

(**) Term: **15 Years**

(21) Appl. No.: **29/666,200**

(22) Filed: **Oct. 10, 2018**

(51) **LOC (12) Cl.** **12-16**

(52) **U.S. Cl.**
USPC **D12/169**

(58) **Field of Classification Search**
USPC D12/169, 196, 86, 90-92; 293/102, 113, 293/115, 117, 120; 296/180.1, 180.2
CPC B60R 19/02; B60R 19/04; B62D 25/08
See application file for complete search history.

(56) **References Cited**

U.S. PATENT DOCUMENTS

D792,291 S	*	7/2017	Suga	D12/169
D793,927 S	*	8/2017	Potter	D12/169
D797,617 S	*	9/2017	Mori	D12/169
D801,883 S	*	11/2017	Fujiwara	D12/169
D803,738 S	*	11/2017	Granlund	D12/169

D813,114 S	*	3/2018	Zurian	D12/169
D813,742 S	*	3/2018	McMahan	D12/169
D818,402 S	*	5/2018	Kawakami	D12/169
D842,770 S	*	3/2019	Kamahara	D12/169
D842,771 S	*	3/2019	Nishii	D12/169
D856,869 S	*	8/2019	Schneider	D12/169

* cited by examiner

Primary Examiner — Melody N Brown

(74) *Attorney, Agent, or Firm* — Arent Fox LLP

(57) **CLAIM**

The ornamental design for a rear bumper, as shown and described.

DESCRIPTION

FIG. 1 is a right, front perspective view of a rear bumper showing my new design;
FIG. 2 is a left, front perspective view thereof;
FIG. 3 is a left, rear perspective view thereof;
FIG. 4 is a right, rear perspective view thereof;
FIG. 5 is a front elevational view thereof;
FIG. 6 is a rear elevational view thereof;
FIG. 7 is a left side elevational view thereof;
FIG. 8 is a right side elevational view thereof;
FIG. 9 is a top plan view thereof; and,
FIG. 10 is a bottom plan view thereof.

1 Claim, 10 Drawing Sheets

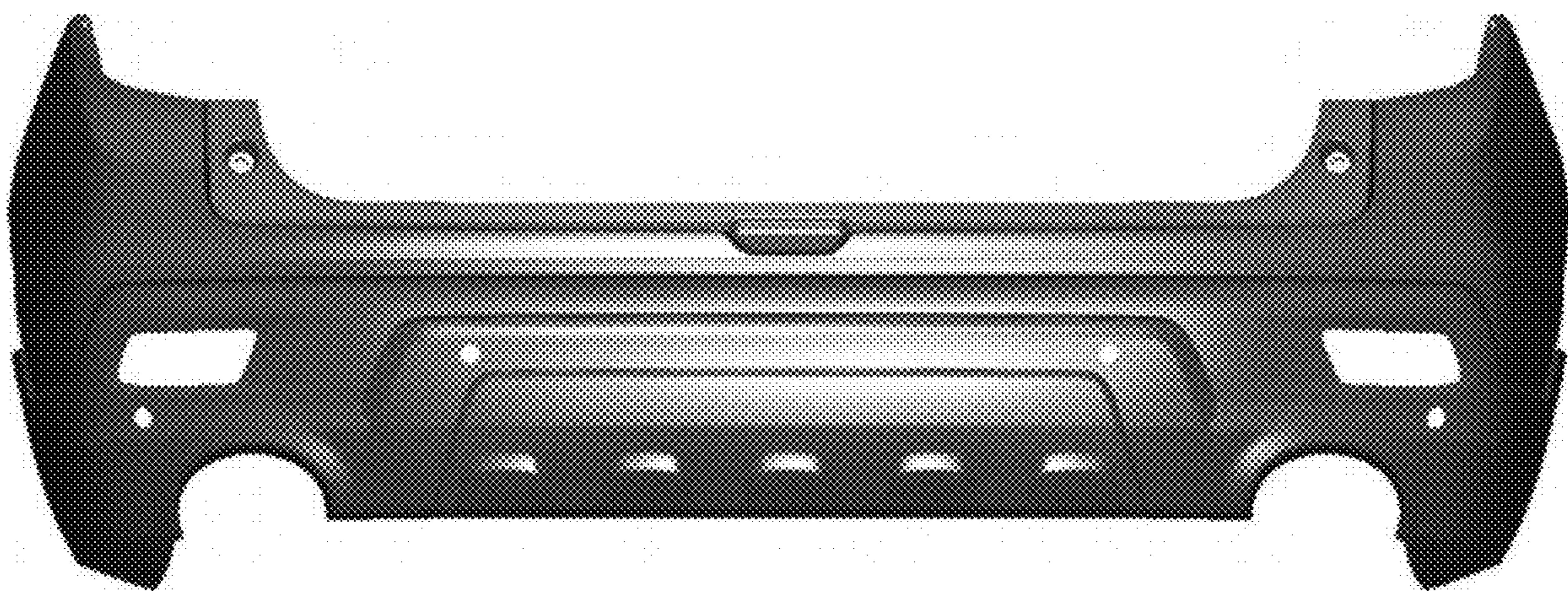




FIG. 1



FIG. 2

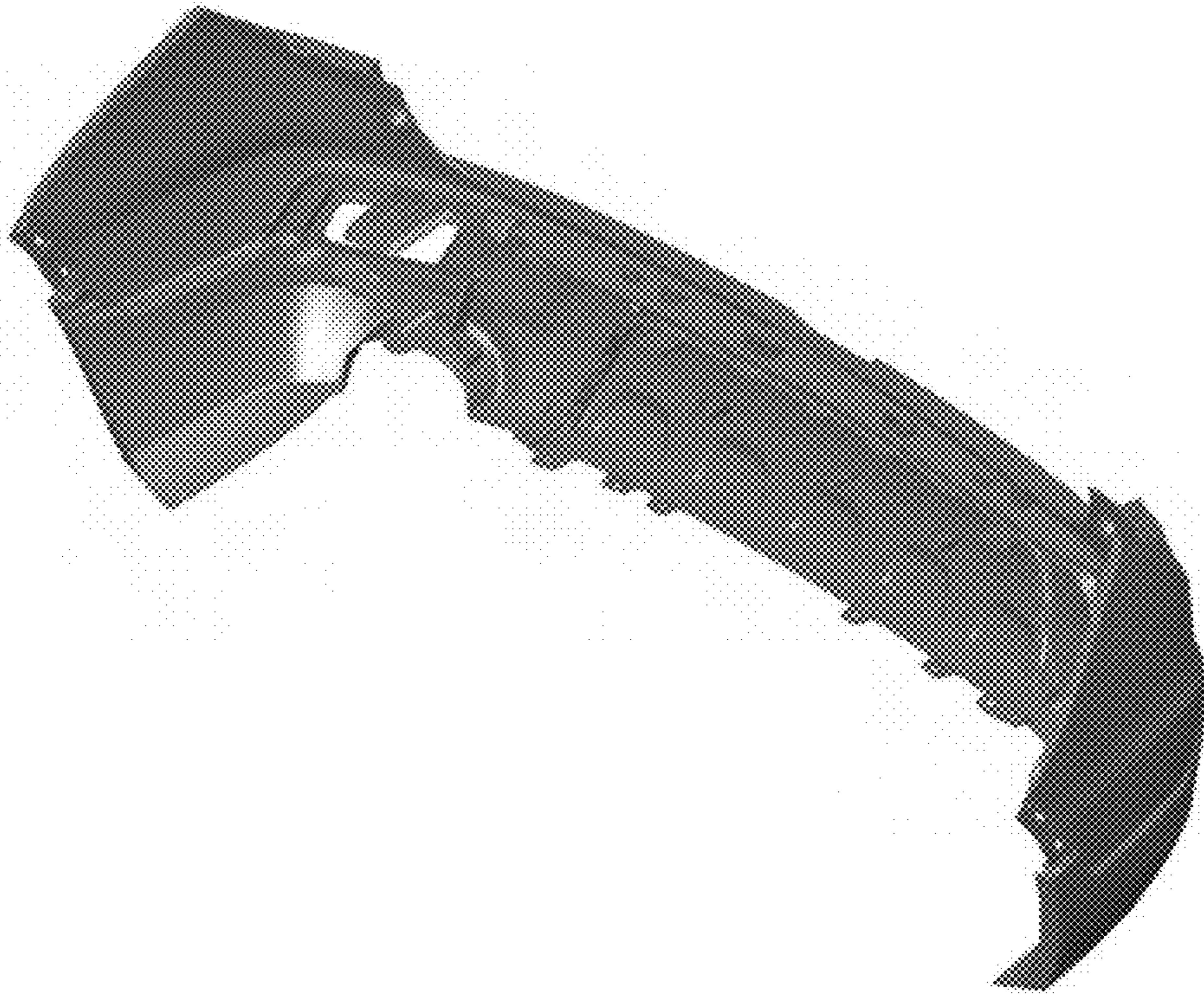


FIG. 3

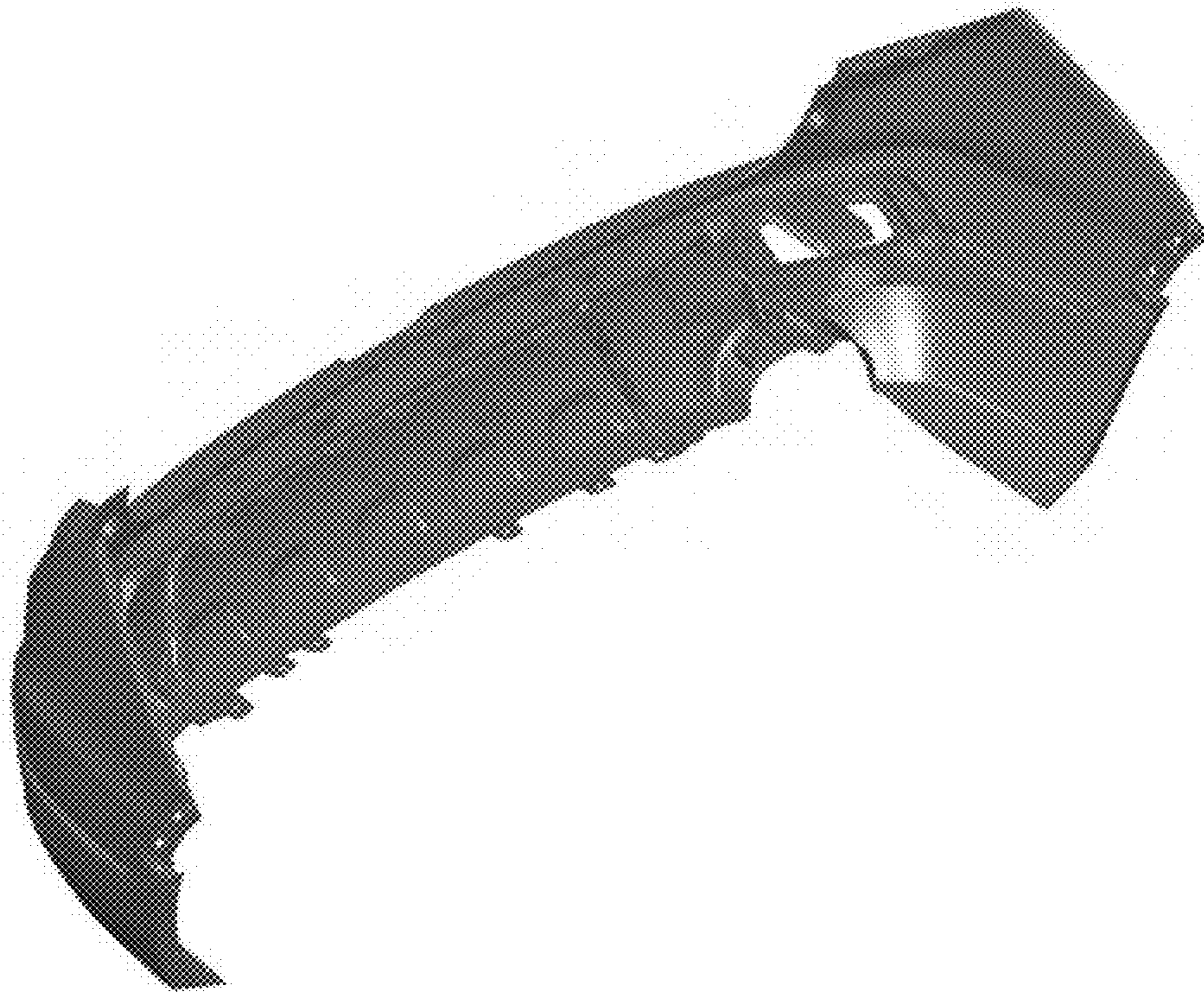


FIG. 4

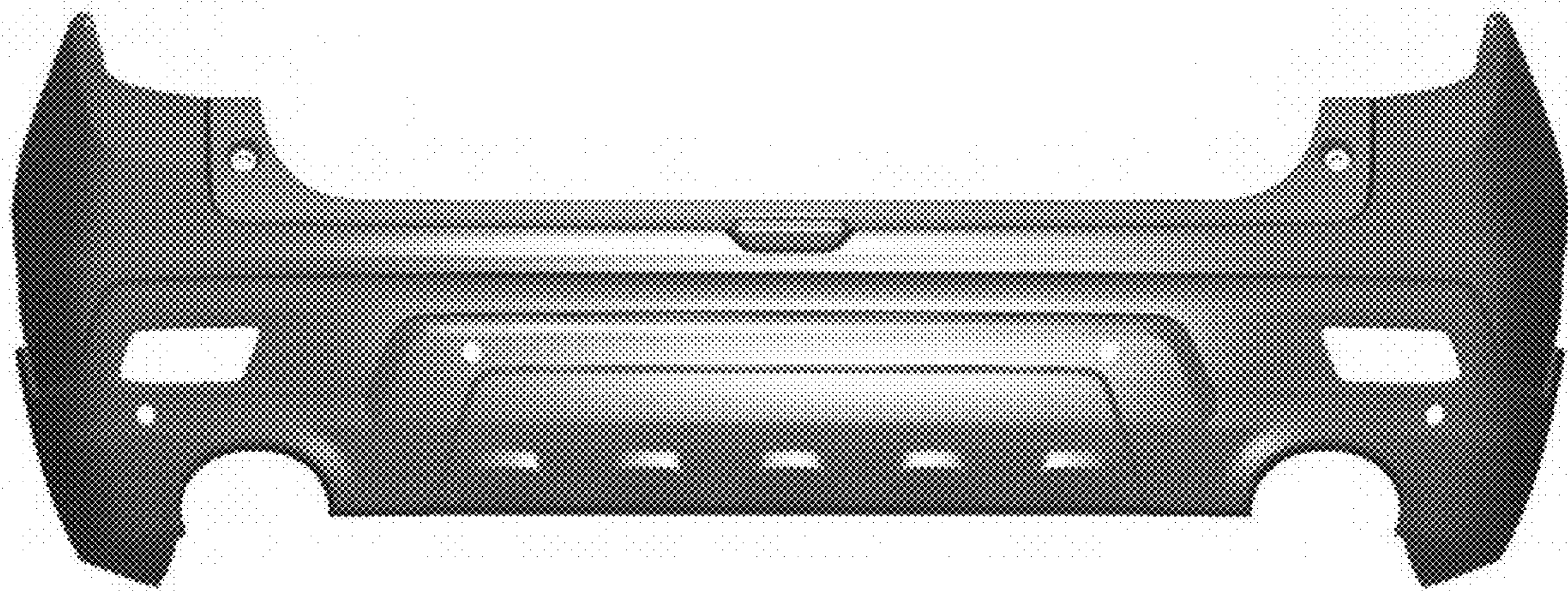


FIG. 5

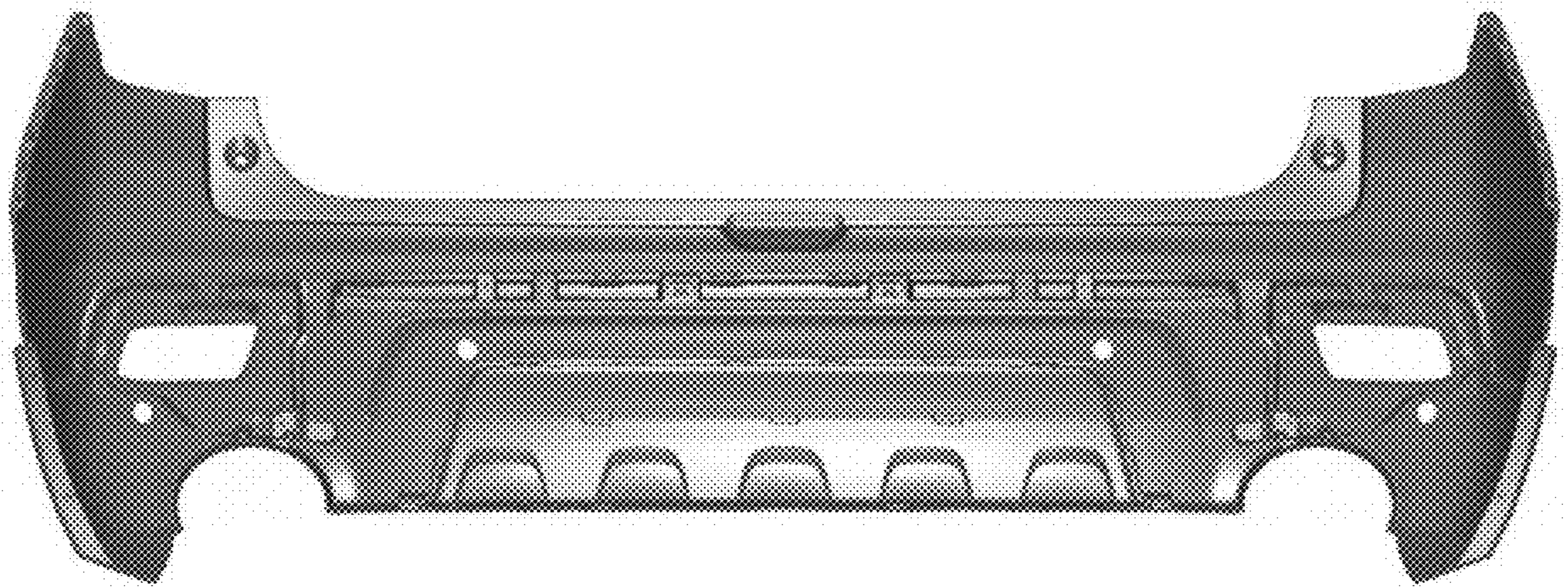


FIG. 6

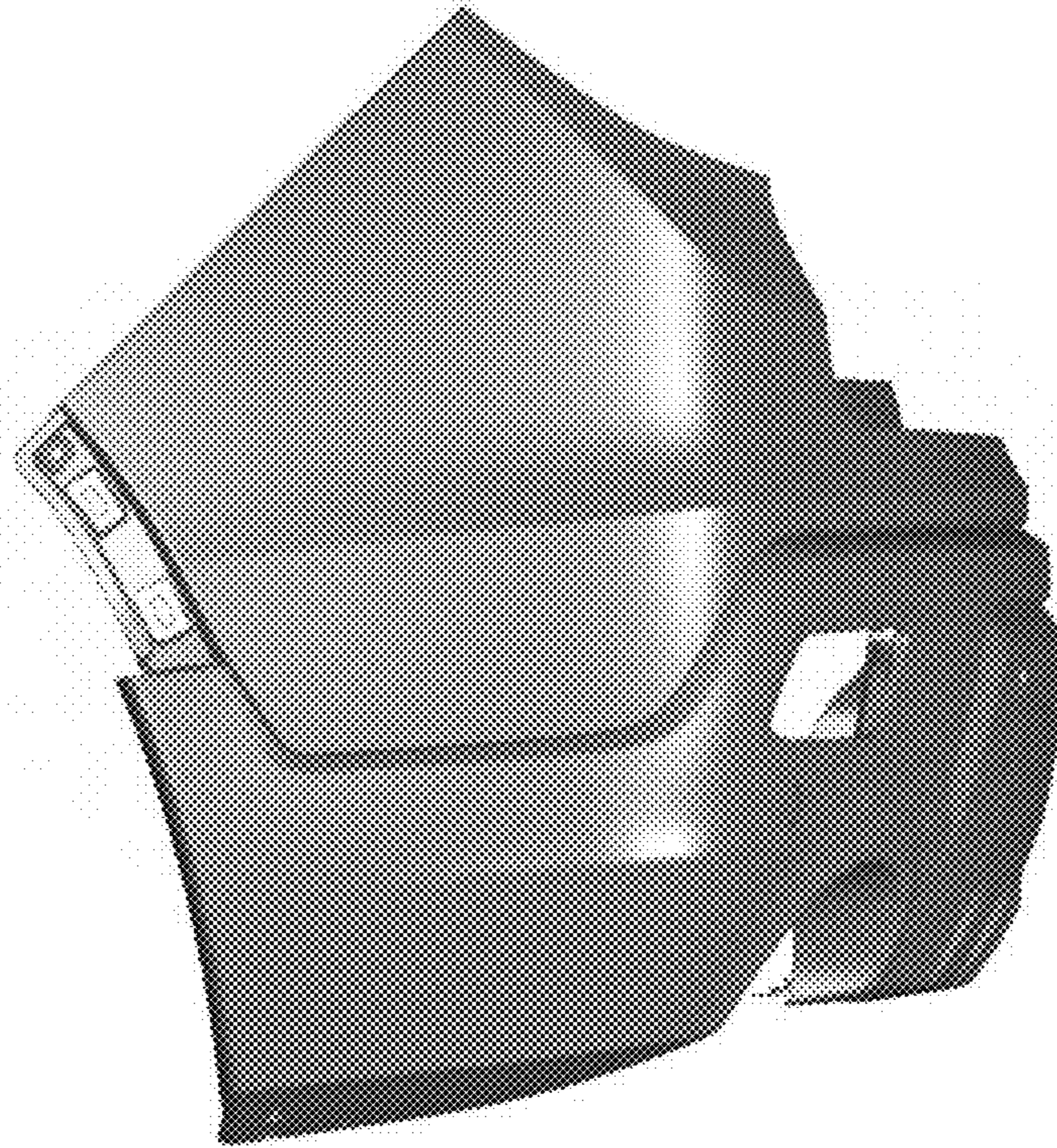


FIG. 7

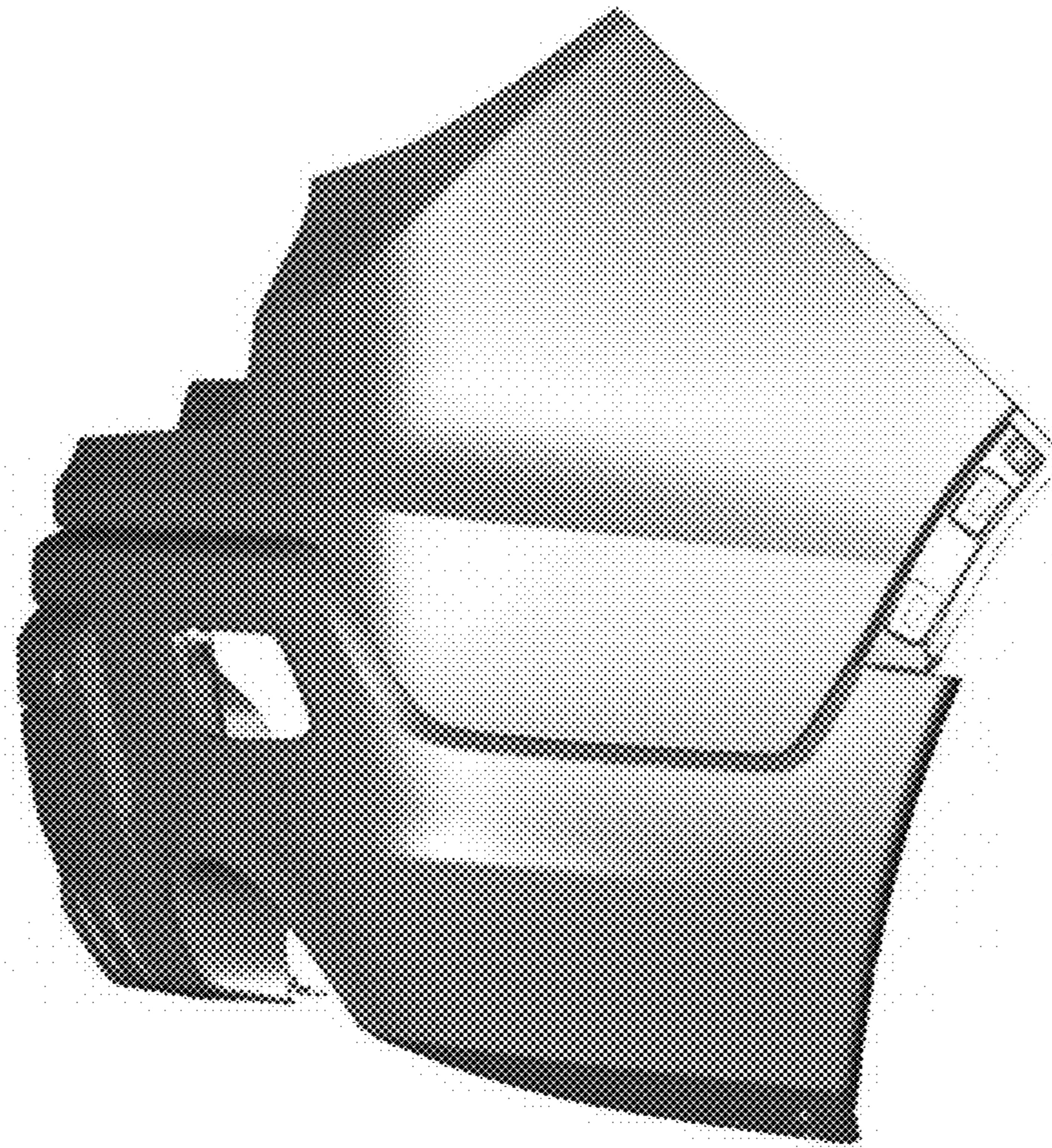


FIG. 8

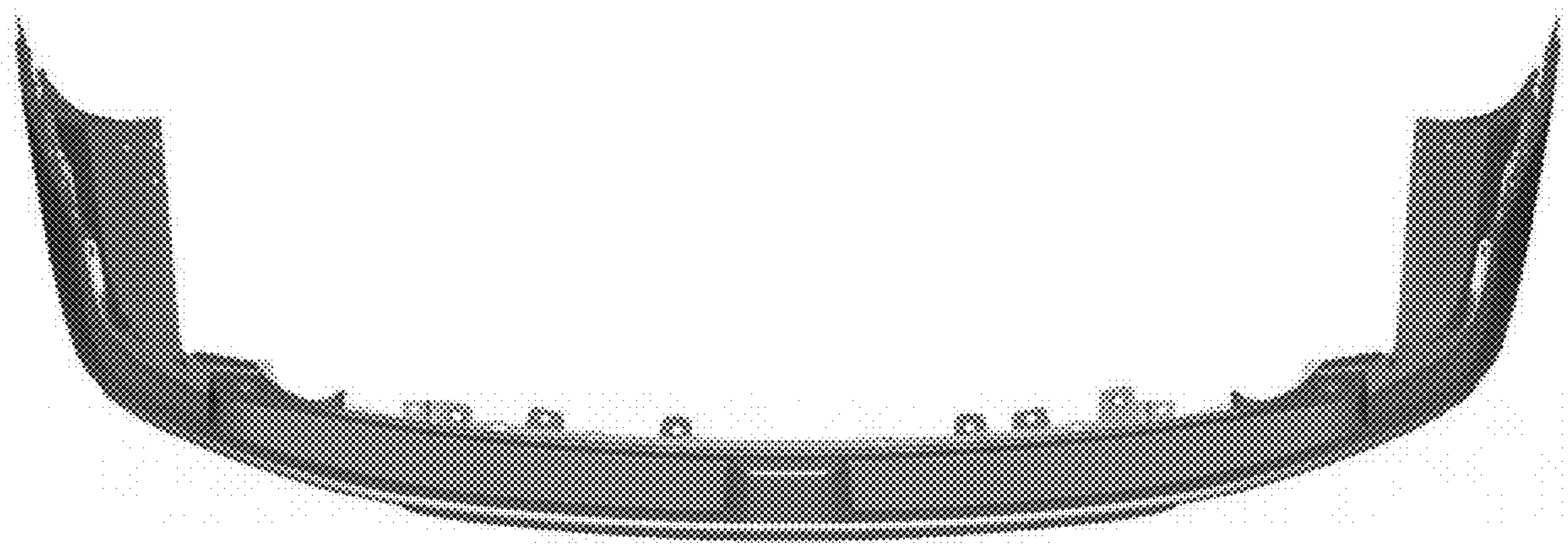


FIG. 9

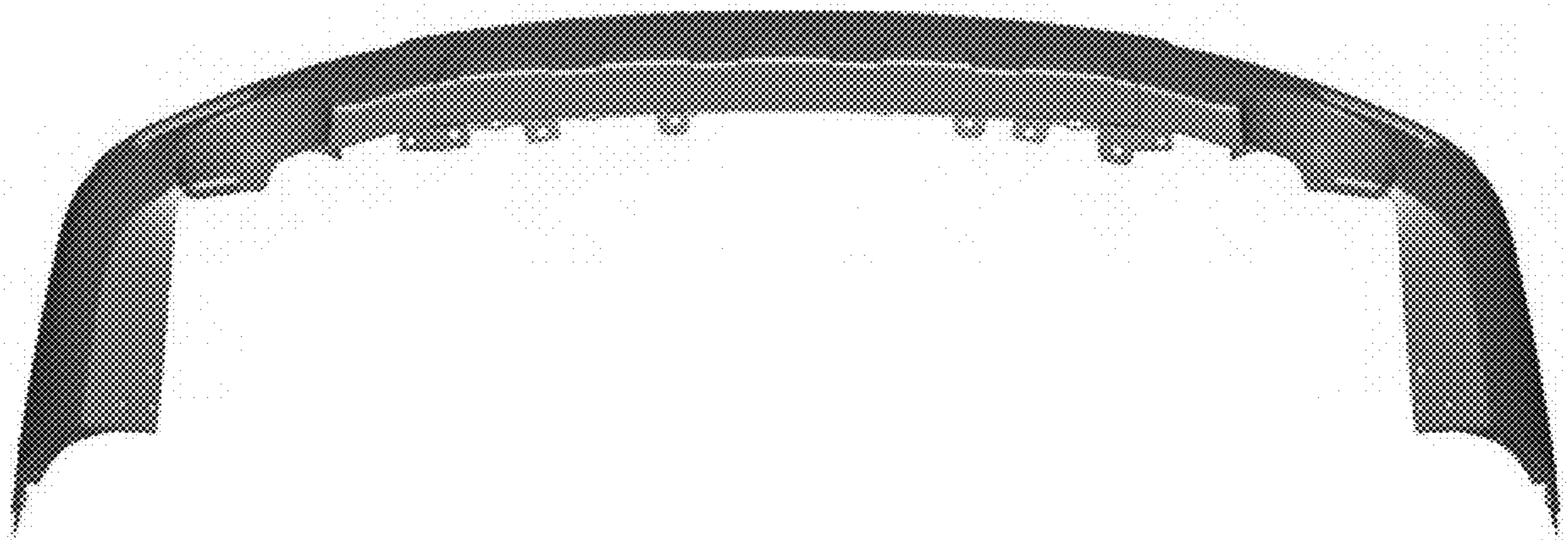


FIG. 10