



US00D879677S

(12) **United States Design Patent** (10) **Patent No.:** **US D879,677 S**
Tonello et al. (45) **Date of Patent:** **** Mar. 31, 2020**

(54) **VEHICLE FRONT LOWER GRILLE**

(71) Applicant: **Ford Global Technologies, LLC**,
Dearborn, MI (US)

(72) Inventors: **Domenico Tonello**, Cologne (DE);
Jordan Demkiw, Cologne (DE); **Joel Piaskowski**, Dusseldorf (DE); **George Saridakis**, Edinburgh (GB)

(73) Assignee: **Ford Global Technologies, LLC**,
Dearborn, MI (US)

(**) Term: **15 Years**

(21) Appl. No.: **29/661,898**

(22) Filed: **Aug. 31, 2018**

(30) **Foreign Application Priority Data**

Mar. 2, 2018 (DE) 40 2018 100 231

(51) **LOC (12) Cl.** **12-16**

(52) **U.S. Cl.**
USPC **D12/163**; D12/171

(58) **Field of Classification Search**
USPC D12/86, 90-92, 163, 169, 171, 173, 181,
D12/184, 196, 216, 388

CPC B60R 19/52; B60K 11/08; B62D 25/08;
B62B 9/16

See application file for complete search history.

(56) **References Cited**

U.S. PATENT DOCUMENTS

D598,336 S * 8/2009 George D12/163
8,651,554 B1 * 2/2014 Patelczyk B62D 25/12
296/136.08
D727,221 S * 4/2015 Rugar D12/163
D728,423 S * 5/2015 Rugar D12/91
D750,531 S * 3/2016 Watkins D12/91
D764,979 S * 8/2016 Faghihzadeh D12/92

D780,644 S * 3/2017 Kim D12/163
D780,646 S * 3/2017 Wolff D12/163
D783,466 S * 4/2017 Svensson D12/163
D786,743 S * 5/2017 Smith D12/163
D787,988 S * 5/2017 Lee D12/163
D788,656 S * 6/2017 Svensson D12/163
D791,653 S * 7/2017 Svensson B62D 25/12
D12/163
D803,111 S * 11/2017 Jang B60K 11/085
D12/169

(Continued)

OTHER PUBLICATIONS

Baodiparts. "Baodiparts 2pcs OEM Replacement Front Upper Grille and Lower Grille Set." Amazon.com, posted Nov. 21, 2017 (Retrieved from the Internet Aug. 28, 2019). Internet URL: <<https://www.amazon.com/Baodiparts-Replacement-Grille-Fusion-Mondeo/dp/B077NV666F>> (Year: 2017).*

(Continued)

Primary Examiner — Jack Reickel

Assistant Examiner — Rachel A Voorhies

(57) **CLAIM**

The ornamental design for a vehicle front lower grille, as shown and described.

DESCRIPTION

FIG. 1 is a front elevational view of a vehicle front lower grille, showing our new design;

FIG. 2 is a rear elevational view thereof;

FIG. 3 is a left side elevational view thereof;

FIG. 4 is a right side elevational view thereof;

FIG. 5 is a top plan view thereof;

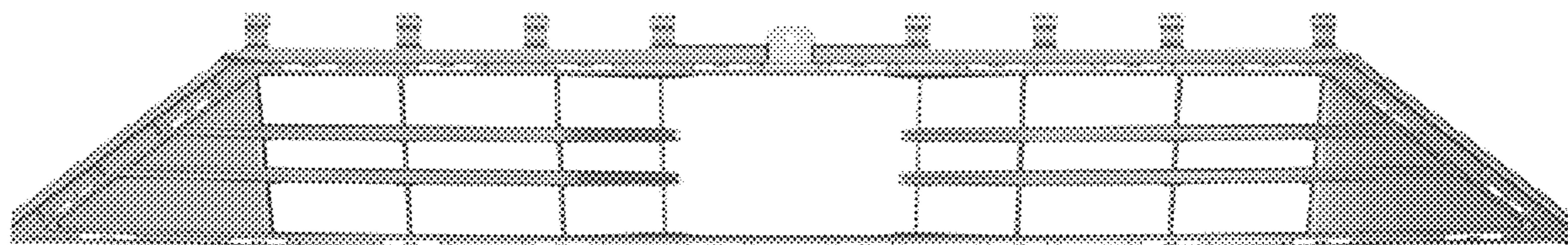
FIG. 6 is a bottom plan view thereof;

FIG. 7 is a top, front and left side perspective view thereof;

FIG. 8 is a bottom, front, and left side perspective view thereof; and,

FIG. 9 is a top and rear perspective view thereof.

1 Claim, 9 Drawing Sheets



(56)

References Cited

U.S. PATENT DOCUMENTS

D809,980 S * 2/2018 Tanaka B60R 19/00
 D12/169
 D813,732 S * 3/2018 Whitla B60R 19/52
 D12/163
 D814,989 S * 4/2018 Ino D12/169
 D819,512 S * 6/2018 Behmer D12/163
 D825,390 S * 8/2018 Al Attar D12/92
 D826,800 S * 8/2018 Gueler D12/163
 D827,513 S * 9/2018 Gueler D12/163
 D834,454 S * 11/2018 Luk D12/92
 D836,029 S * 12/2018 Leong D12/92
 D836,030 S * 12/2018 Razaghi D12/92
 D837,700 S * 1/2019 Gueler D12/163
 D844,499 S * 4/2019 Metros D12/163
 D844,500 S * 4/2019 Metros D12/163
 D847,041 S * 4/2019 Blanski D12/163
 D848,907 S * 5/2019 Leong D12/163
 D848,908 S * 5/2019 Krieg D12/163
 D851,551 S * 6/2019 Mack D12/163
 D853,902 S * 7/2019 Messale D12/163

D857,567 S * 8/2019 Blanski F21S 41/55
 D12/163
 D860,883 S * 9/2019 Heo D12/167
 D863,133 S * 10/2019 Woodhouse D12/163
 D863,135 S * 10/2019 O'Donnell D12/163
 D864,025 S * 10/2019 Tomasson D12/91
 10,450,018 B2 * 10/2019 Carroll F21S 41/55
 D866,413 S * 11/2019 Luke D12/163
 2015/0091328 A1 * 4/2015 Pugh-Jones B60R 19/52
 296/187.04
 2018/0186319 A1 * 7/2018 Sertkaya B60R 19/00
 2019/0031018 A1 * 1/2019 Park B60K 11/085
 2019/0035264 A1 * 1/2019 Salter G08G 1/0104

OTHER PUBLICATIONS

Priddle, Alisa. "2019 Ford Edge ST First Look." Motor Trend, published Jan. 11, 2018 (Retrieved from the Internet Aug. 29, 2019).
 Internet URL: <<https://www.motortrend.com/cars/ford/edge/2019/2019-ford-edge-st-first-look-review/>> (Year: 2018).*

* cited by examiner



Fig. 1

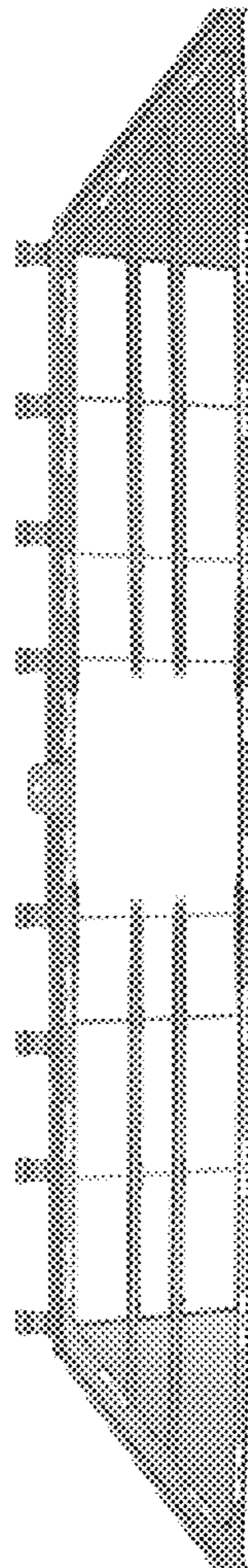


Fig. 2

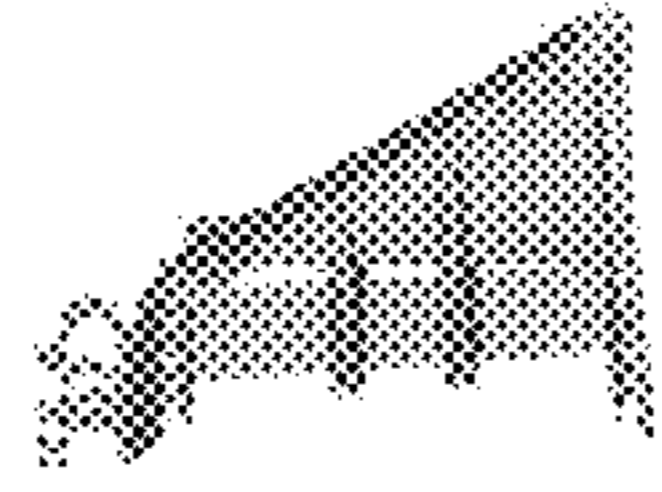


Fig. 3

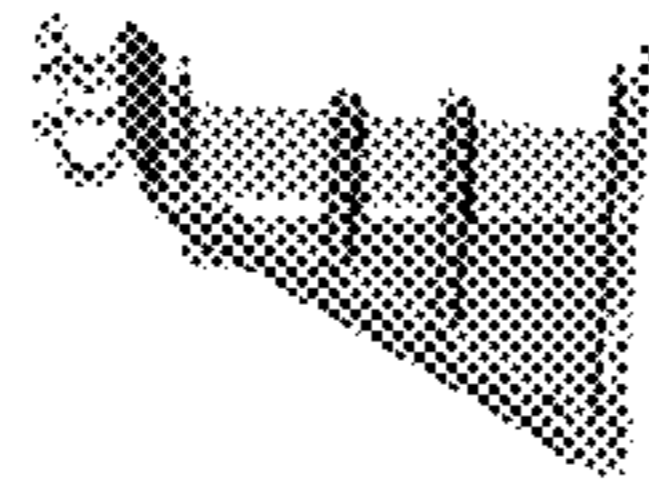


Fig. 4

Fig. 5





Fig. 6

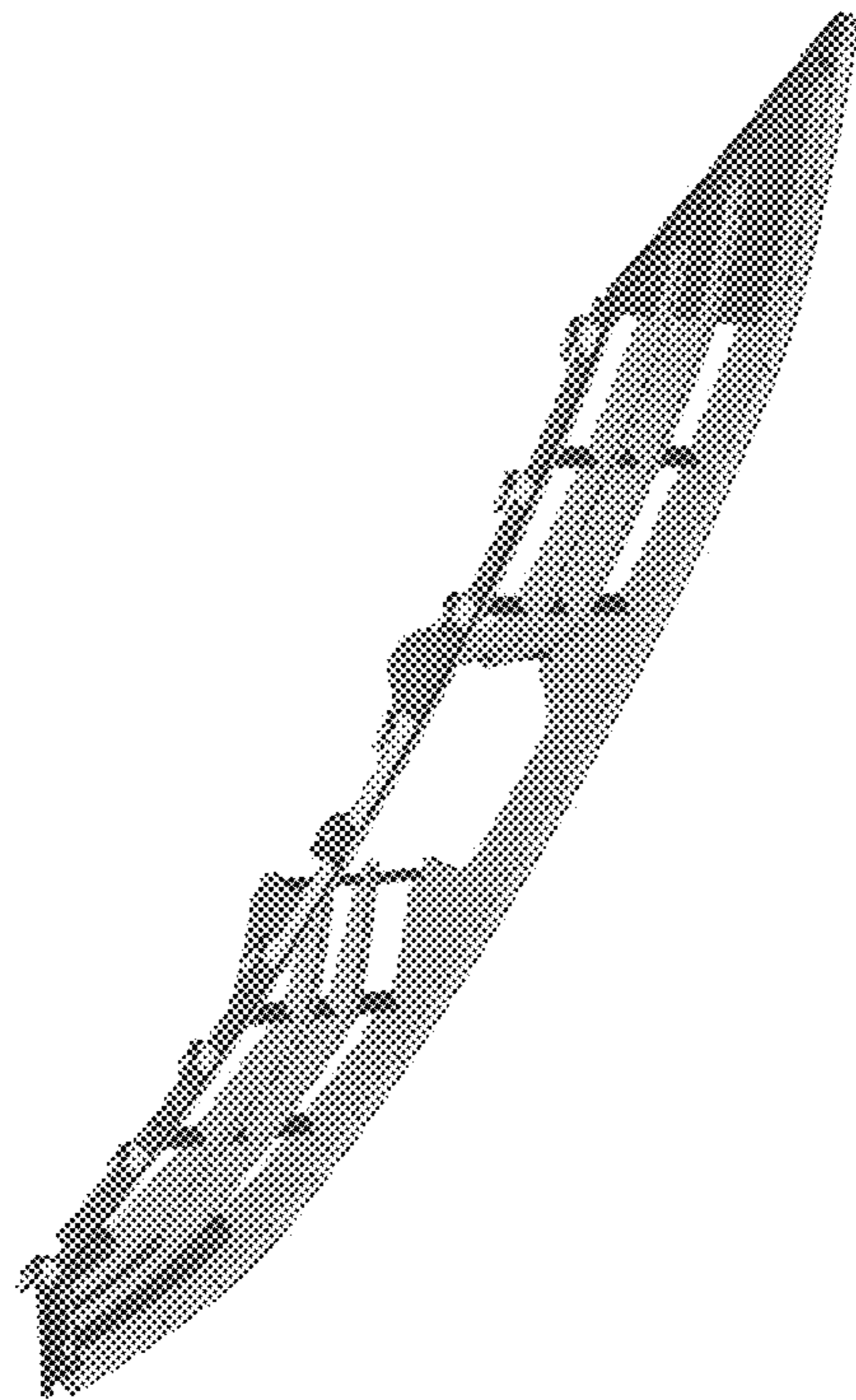


Fig. 7

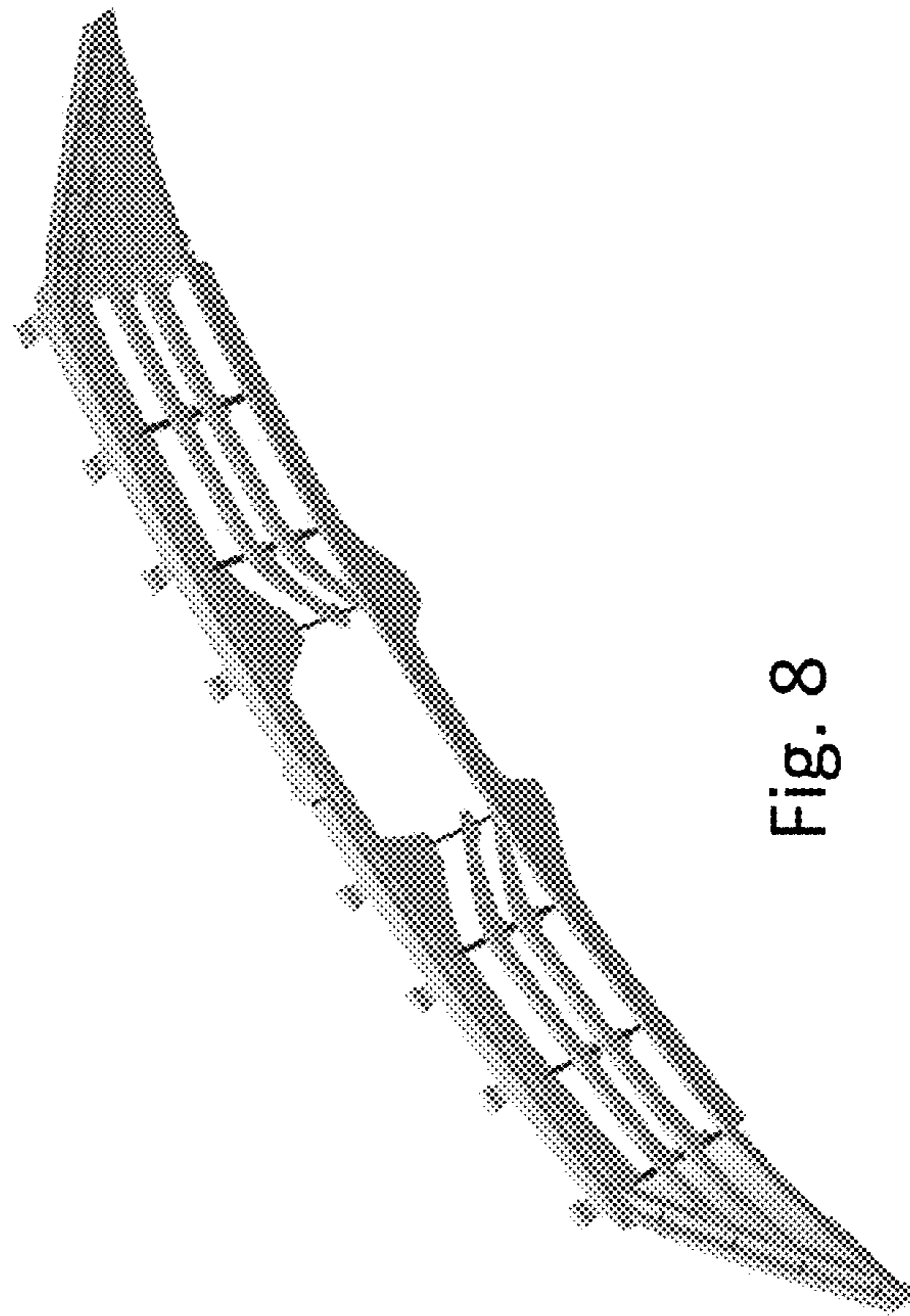


Fig. 8

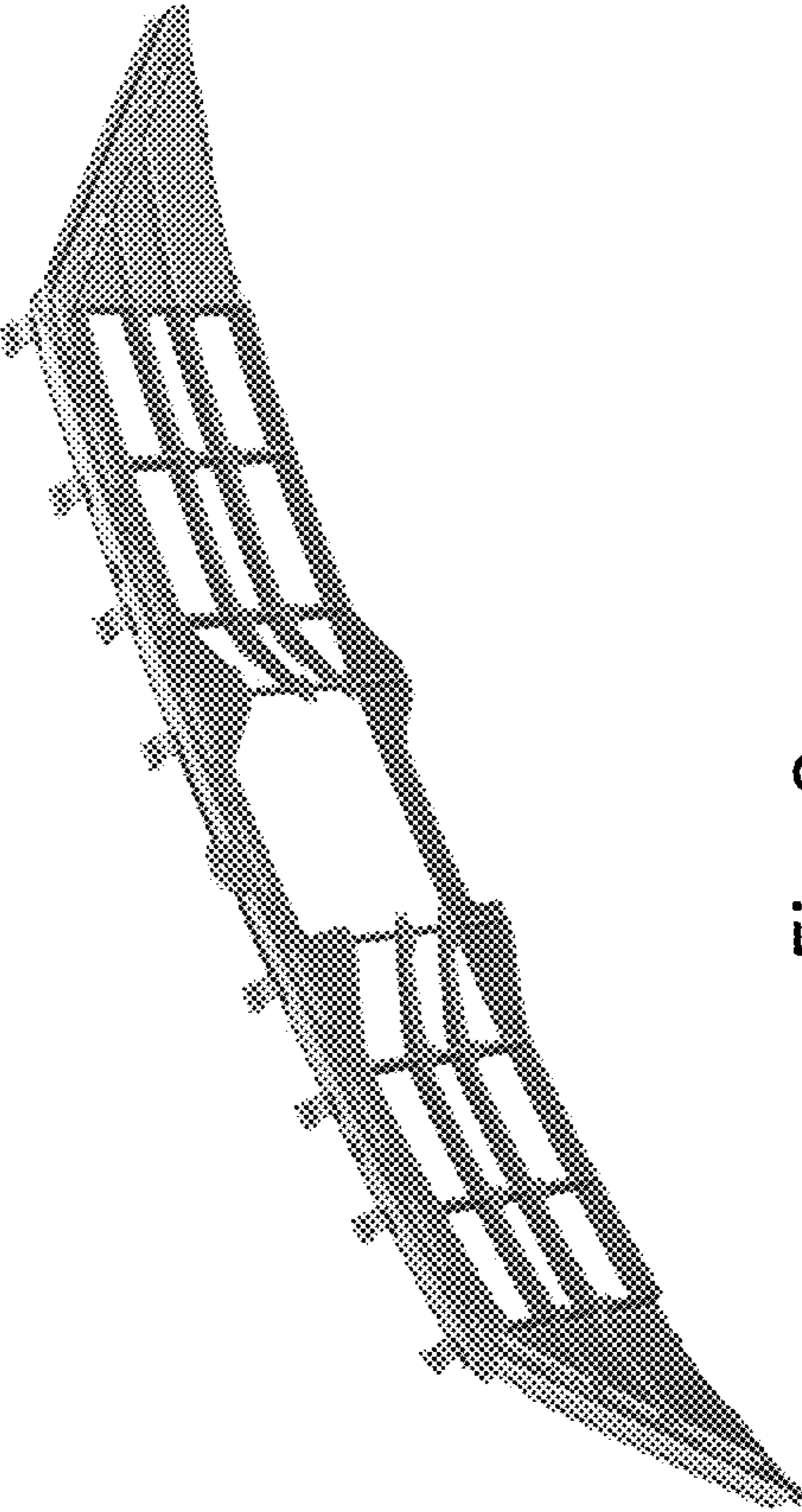


Fig. 9