



US00D879676S

(12) **United States Design Patent**  
**Tonello et al.**

(10) **Patent No.:** **US D879,676 S**  
(45) **Date of Patent:** **\*\* Mar. 31, 2020**

(54) **VEHICLE FRONT UPPER GRILLE**

(71) Applicant: **Ford Global Technologies, LLC,**  
Dearborn, MI (US)

(72) Inventors: **Domenico Tonello,** Cologne (DE);  
**Jordan Demkiw,** Cologne (DE); **Joel Piaskowski,** Dusseldorf (DE); **George Saridakis,** Edinburgh (GB)

(73) Assignee: **Ford Global Technologies, LLC,**  
Dearborn, MI (US)

(\*\*) Term: **15 Years**

(21) Appl. No.: **29/661,895**

(22) Filed: **Aug. 31, 2018**

(30) **Foreign Application Priority Data**

Mar. 2, 2018 (DE) ..... 40 2018 100 229

(51) **LOC (12) Cl.** ..... **12-16**

(52) **U.S. Cl.**  
USPC ..... **D12/163; D12/171**

(58) **Field of Classification Search**  
USPC .... D12/86, 90-92, 163, 169, 171, 173, 181,  
D12/184, 196, 216, 388

CPC ..... B60R 19/52; B60K 11/08; B62D 25/08;  
B62B 9/16

See application file for complete search history.

(56) **References Cited**

**U.S. PATENT DOCUMENTS**

D678,140 S \* 3/2013 Hamilton ..... D12/169  
D712,318 S \* 9/2014 Mays ..... D12/163  
D712,321 S \* 9/2014 Mays ..... D12/163  
D722,923 S \* 2/2015 George ..... D12/163  
D722,924 S \* 2/2015 George ..... D12/163  
D753,029 S \* 4/2016 Talsma ..... D12/163  
D797,013 S \* 9/2017 Sahara ..... D12/163

D808,316 S \* 1/2018 Piscitelli ..... D12/190  
D814,982 S \* 4/2018 Whitla ..... D12/163  
D825,406 S \* 8/2018 Gueler ..... D12/163  
D826,800 S \* 8/2018 Gueler ..... D12/163  
D827,509 S \* 9/2018 Behmer ..... D12/163  
D830,243 S \* 10/2018 Gueler ..... D12/163  
D834,467 S \* 11/2018 Kanai ..... D12/163  
D839,141 S \* 1/2019 Beaven ..... D12/164  
10,183,573 B1 \* 1/2019 Klop ..... B60K 11/08  
D852,687 S \* 7/2019 Nakagawa ..... D12/163

(Continued)

**OTHER PUBLICATIONS**

De Feijter, Tycho. "13 New Compact SUVs from China." Forbes.com, published May 23, 2016 (Retrieved from the Internet Aug. 29, 2019). Internet URL: <<https://www.forbes.com/sites/tychodefeijter/2016/05/23/suv-crazy-13-new-compact-suvs-from-china-2/#1781f5aa186e>> (Year: 2016).\*

(Continued)

*Primary Examiner* — Jack Reickel  
*Assistant Examiner* — Rachel A Voorhies

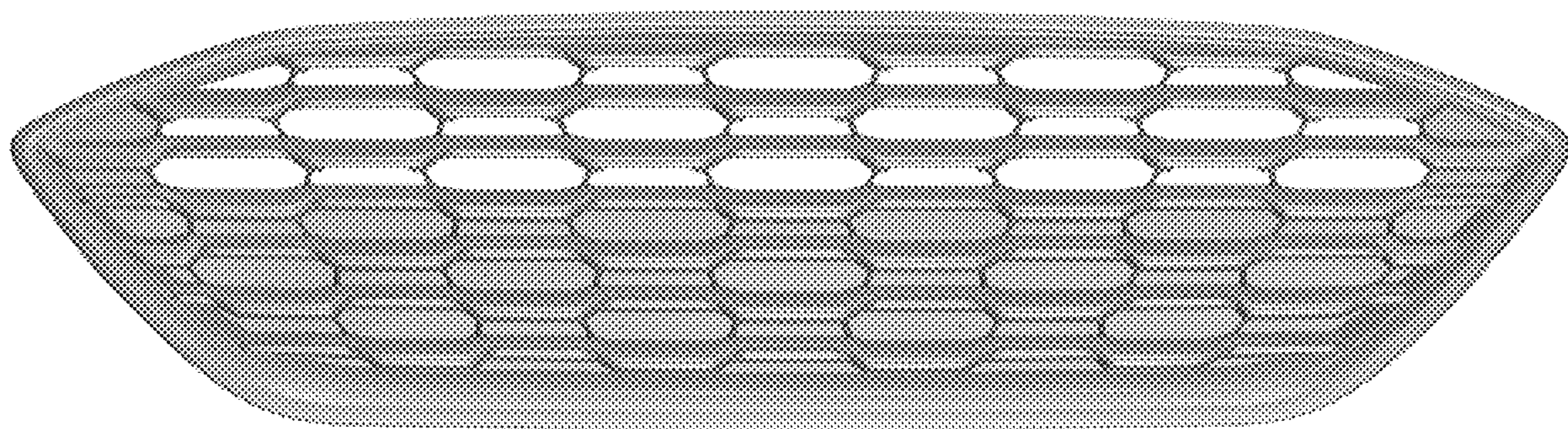
(57) **CLAIM**

The ornamental design for a vehicle front upper grille, as shown and described.

**DESCRIPTION**

FIG. 1 is a front elevational of a vehicle front upper grille, showing our new design;  
FIG. 2 is a rear elevational view thereof;  
FIG. 3 is a left side elevational view thereof;  
FIG. 4 is a right side elevational view thereof;  
FIG. 5 is a top plan view thereof;  
FIG. 6 is a bottom plan view thereof;  
FIG. 7 is a top, front, and left side perspective view thereof;  
FIG. 8 is a bottom, front, and left side perspective view thereof; and,  
FIG. 9 is a top and rear perspective view thereof.

**1 Claim, 9 Drawing Sheets**



(56)

**References Cited**

U.S. PATENT DOCUMENTS

D852,690 S \* 7/2019 Buck ..... D12/163  
D854,976 S \* 7/2019 Messale ..... D12/163  
D855,502 S \* 8/2019 Behmer ..... D12/163  
D855,503 S \* 8/2019 Blanski ..... D12/163  
10,427,632 B2 \* 10/2019 Jackowski ..... B60R 19/52  
D865,579 S \* 11/2019 Battams ..... D12/163  
D865,580 S \* 11/2019 Pollard ..... D12/163  
2018/0313418 A1 \* 11/2018 Titus ..... F16D 65/847  
2019/0248274 A1 \* 8/2019 Salter ..... B60Q 1/2661

OTHER PUBLICATIONS

Priddle, Alisa. "2019 Ford Edge ST First Look." Motor Trend, published Jan. 11, 2018 (Retrieved from the Internet Aug. 29, 2019).  
Internet URL: <<https://www.motortrend.com/cars/ford/edge/2019/2019-ford-edge-st-first-look-review/>> (Year: 2018).\*

\* cited by examiner



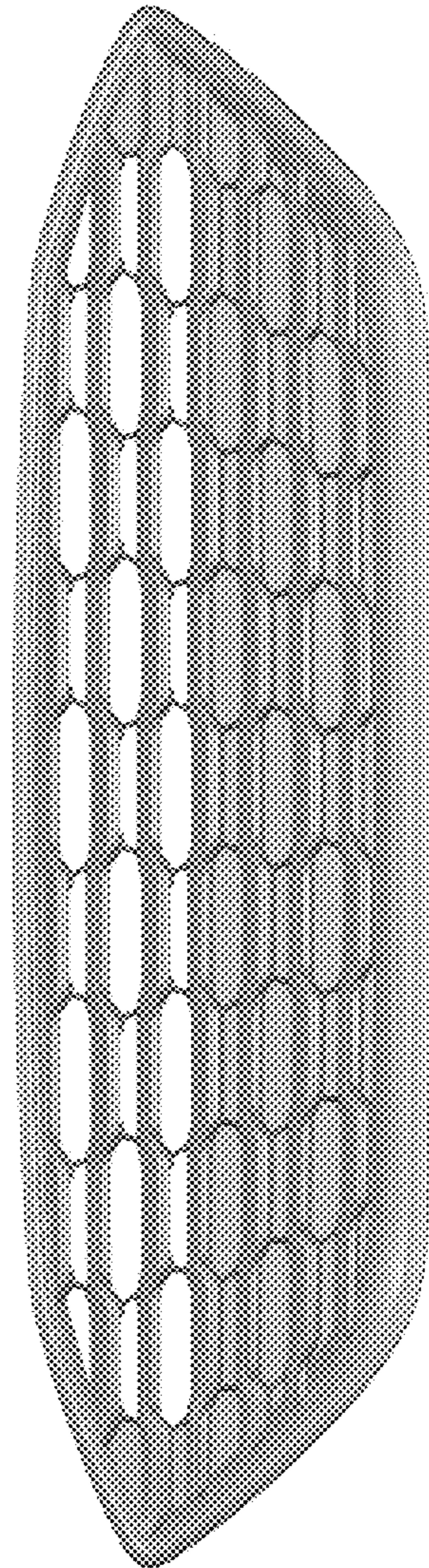


Fig. 1

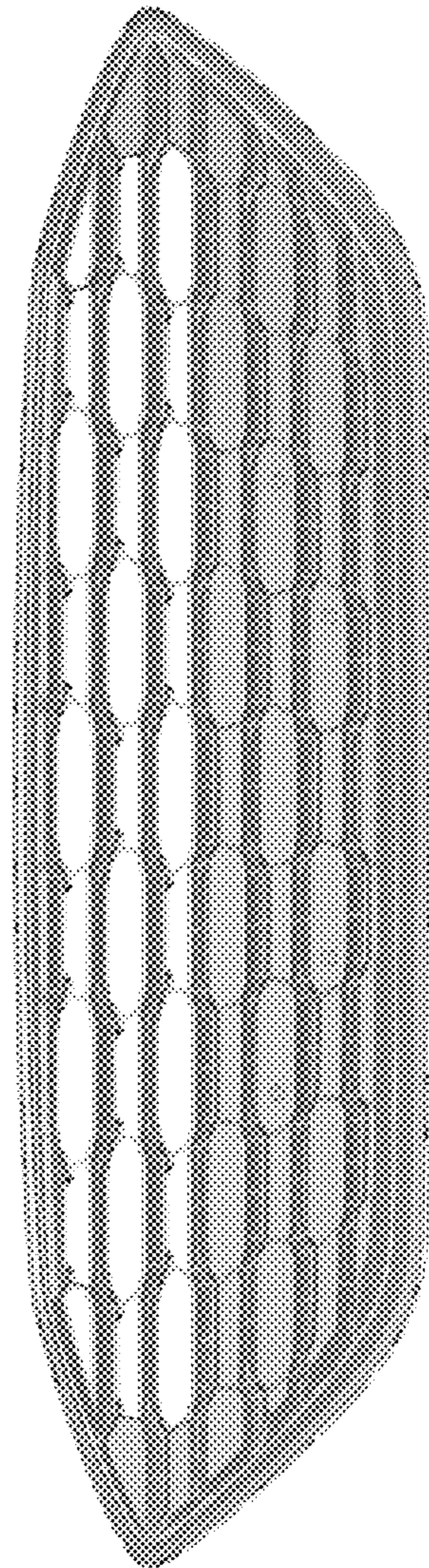


Fig. 2



Fig. 3



Fig. 4

Fig. 5





Fig. 6



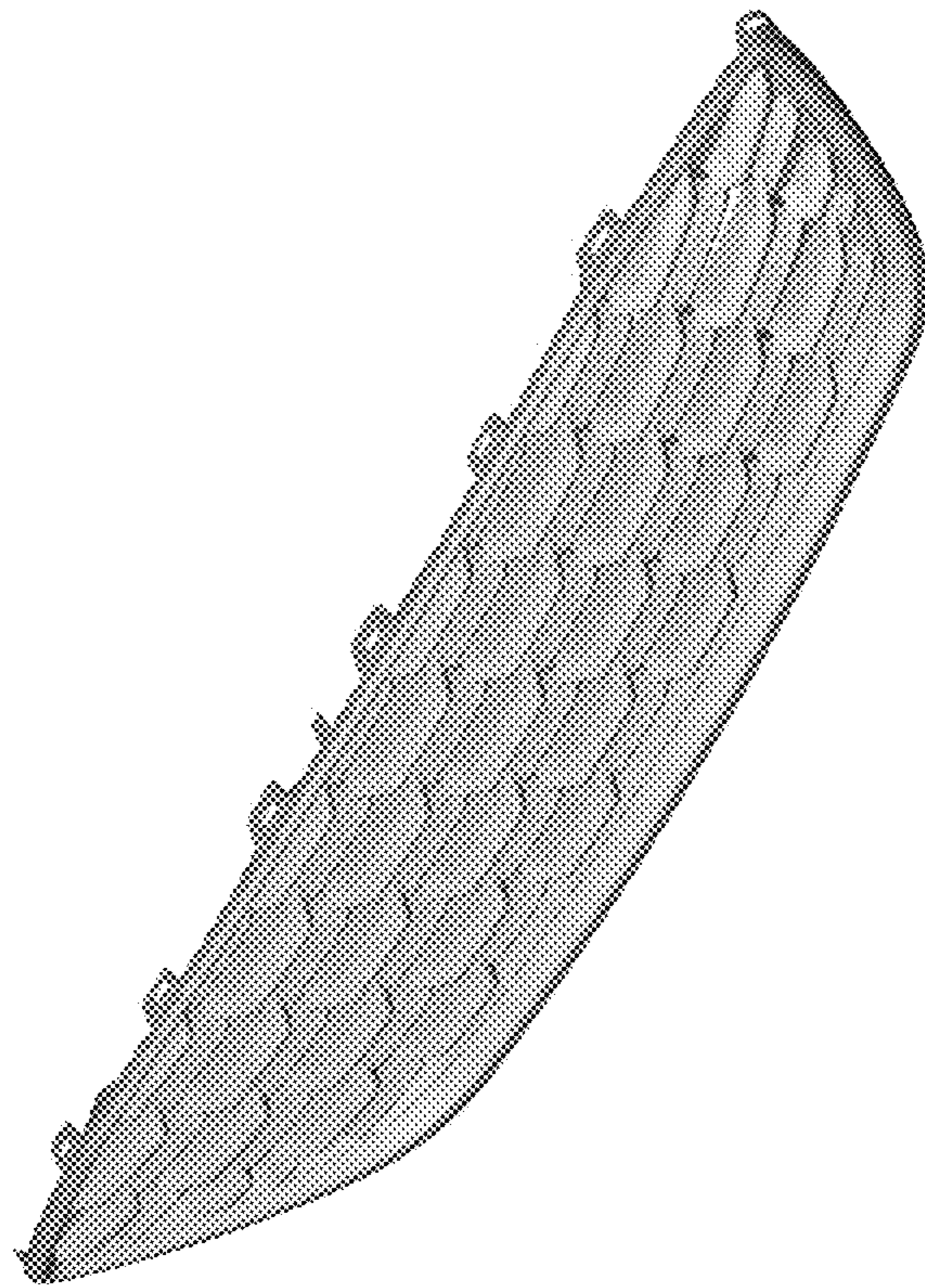


Fig. 7

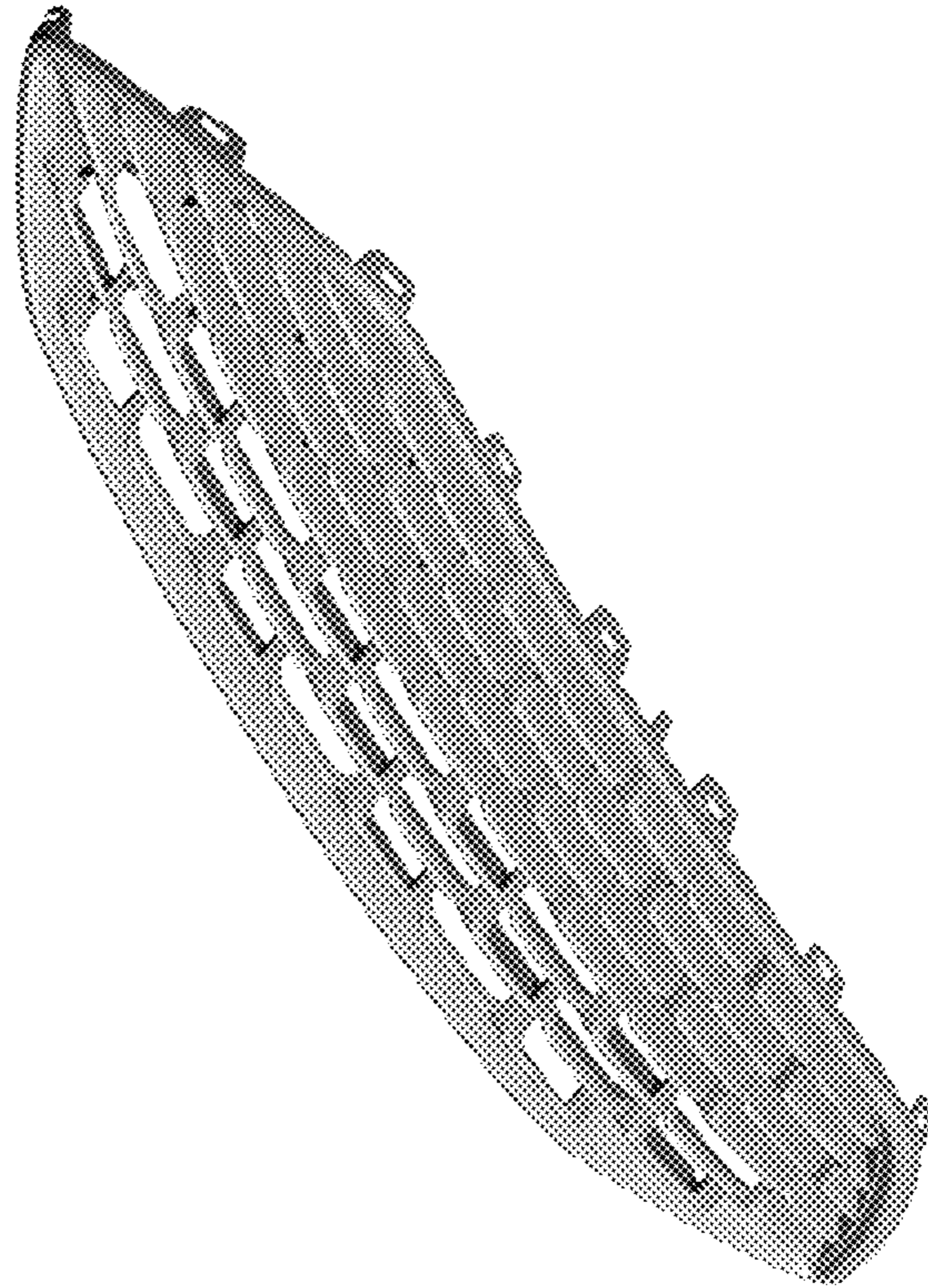


Fig. 8

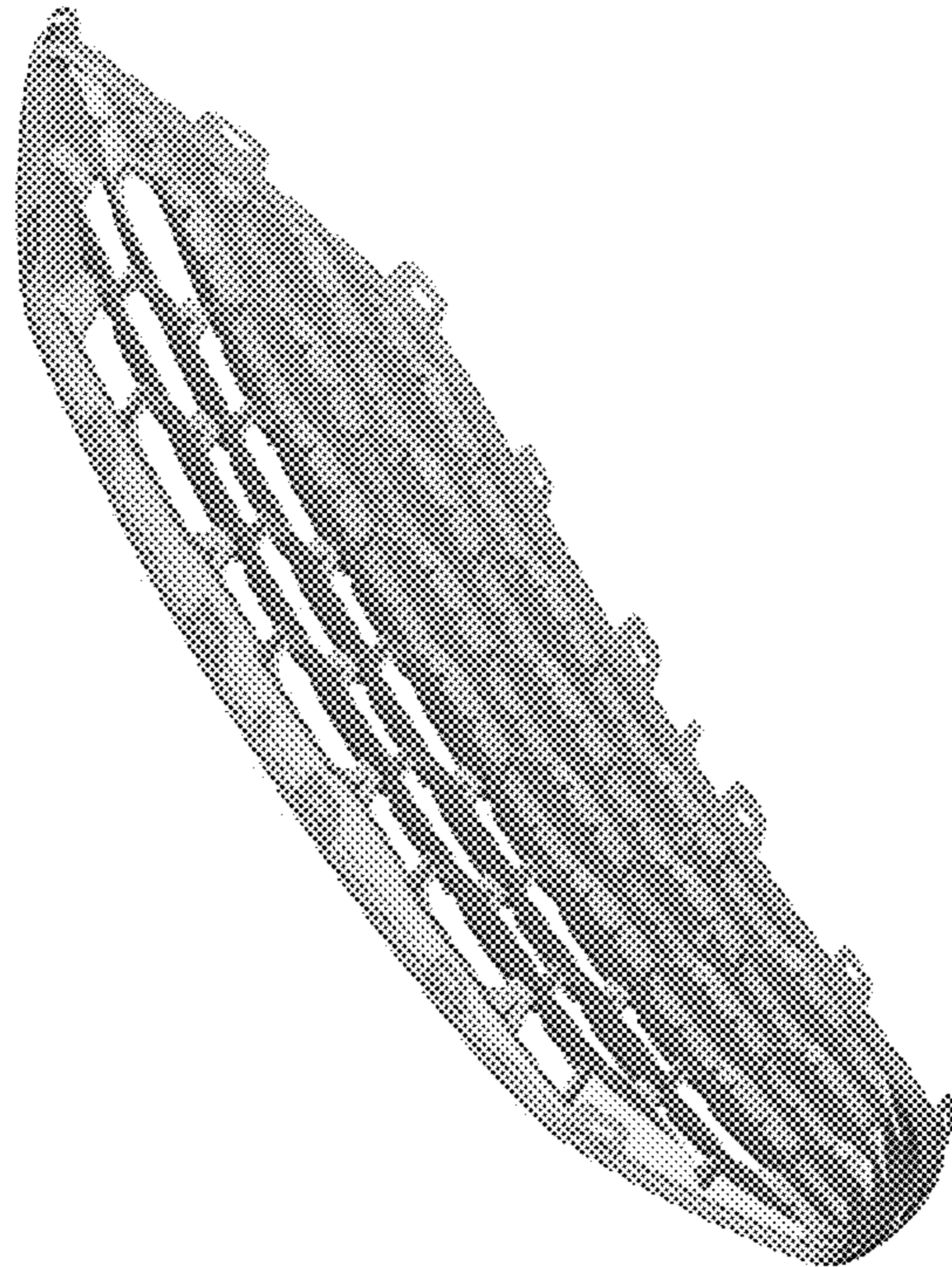


Fig. 9