



US00D879675S

(12) **United States Design Patent** (10) **Patent No.:** **US D879,675 S**  
**Tonello et al.** (45) **Date of Patent:** **\*\* Mar. 31, 2020**

(54) **VEHICLE FRONT UPPER GRILLE**

(71) Applicant: **Ford Global Technologies, LLC**,  
Dearborn, MI (US)

(72) Inventors: **Domenico Tonello**, Cologne (DE);  
**Jordan Demkiw**, Cologne (DE); **Joel Piaskowski**,  
Dusseldorf (DE); **Claudio Messale**, Cologne (DE);  
**George Saridakis**, Edinburgh (GB)

(73) Assignee: **Ford Global Technologies, LLC**,  
Dearborn, MI (US)

(\*\*) Term: **15 Years**

(21) Appl. No.: **29/661,868**

(22) Filed: **Aug. 31, 2018**

(30) **Foreign Application Priority Data**

Mar. 2, 2018 (DE) ..... 40 2018 100 228

(51) **LOC (12) Cl.** ..... **12-16**

(52) **U.S. Cl.**  
USPC ..... **D12/163; D12/171**

(58) **Field of Classification Search**  
USPC .... D12/86, 90-92, 163, 169, 171, 173, 181,  
D12/184, 196, 216, 388  
CPC ..... B60R 19/52; B60K 11/08; B62D 25/08;  
B62B 9/16  
See application file for complete search history.

(56) **References Cited**

**U.S. PATENT DOCUMENTS**

D598,336 S \* 8/2009 George ..... D12/163  
D602,409 S \* 10/2009 Lamm ..... D12/163  
D631,405 S \* 1/2011 Kuze ..... D12/163  
D674,326 S \* 1/2013 Svensson ..... D12/163  
D678,140 S \* 3/2013 Hamilton ..... D12/169  
D680,920 S \* 4/2013 Jara ..... D12/163

D698,705 S \* 2/2014 Rugar ..... D12/163  
8,651,554 B1 \* 2/2014 Patelczyk ..... B62D 25/12  
296/136.08  
D703,589 S \* 4/2014 Campbell ..... D12/163  
D714,685 S \* 10/2014 Huang ..... D12/91  
D726,598 S \* 4/2015 Rugar ..... D12/163  
D727,220 S \* 4/2015 Rugar ..... D12/163  
D758,926 S \* 6/2016 Rugar ..... D12/163  
D758,928 S \* 6/2016 Messale ..... D12/163  
D766,132 S \* 9/2016 Kubo ..... D12/91

(Continued)

**OTHER PUBLICATIONS**

De Feijter, Tycho. "13 New Compact SUVs From China." Forbes.com, published May 23, 2016 (Retrieved from the Internet Aug. 29, 2019). Internet URL: <<https://www.forbes.com/sites/tychodefeijter/2016/05/23/suv-crazy-13-new-compact-suvs-from-china-2/#1781f5aa186e>> (Year: 2016).\*

(Continued)

*Primary Examiner* — Jack Reickel  
*Assistant Examiner* — Rachel A Voorhies

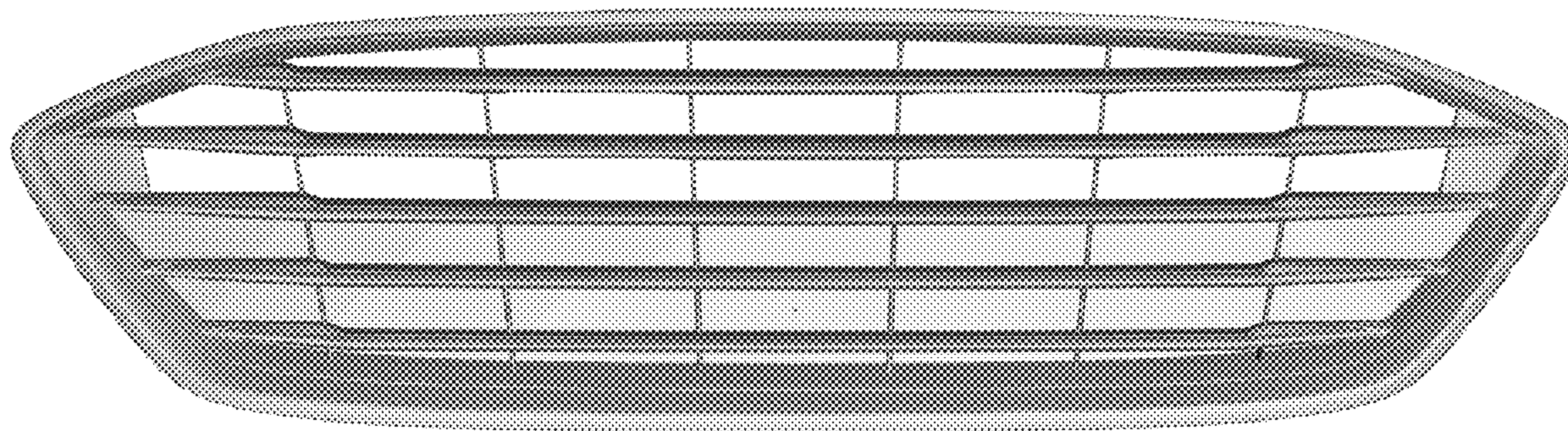
(57) **CLAIM**

The ornamental design for a vehicle front upper grille, as shown and described.

**DESCRIPTION**

FIG. 1 is a front elevational of a vehicle front upper grille, showing our new design;  
FIG. 2 is a rear elevational view thereof;  
FIG. 3 is a left side elevational view thereof;  
FIG. 4 is a right side elevational view thereof;  
FIG. 5 is a top plan view thereof;  
FIG. 6 is a bottom plan view thereof;  
FIG. 7 is a top, front, and left side perspective view thereof;  
FIG. 8 is a bottom, front, and left side perspective view thereof; and,  
FIG. 9 is a top and rear perspective view thereof.

**1 Claim, 9 Drawing Sheets**



(56)

**References Cited**

U.S. PATENT DOCUMENTS

D771,527	S *	11/2016	Messale	.....	D12/163
D783,466	S *	4/2017	Svensson	.....	D12/163
D826,800	S *	8/2018	Gueler	.....	D12/163
10,132,460	B1 *	11/2018	Salter	.....	B60Q 1/32
D844,499	S *	4/2019	Metros	.....	D12/163
D851,552	S *	6/2019	Mack	.....	D12/163
D853,286	S *	7/2019	Imai	.....	D12/163
D853,902	S *	7/2019	Messale	.....	D12/163
D858,372	S *	9/2019	Betancourt	.....	B60R 19/52
					D12/163
D864,030	S *	10/2019	Yong	.....	D12/91
D864,050	S *	10/2019	Luke	.....	D12/163
D866,413	S *	11/2019	Luke	.....	D12/163
10,464,514	B2 *	11/2019	Sertkaya	.....	B60R 19/52
2015/0091328	A1 *	4/2015	Pugh-Jones	.....	B60R 19/52
					296/187.04
2018/0170172	A1 *	6/2018	Hanna	.....	B60K 13/02
2018/0186319	A1 *	7/2018	Sertkaya	.....	B60R 19/00
2018/0250854	A1 *	9/2018	Dellock	.....	C23C 18/1651
2019/0031018	A1 *	1/2019	Park	.....	B60K 11/085
2019/0035264	A1 *	1/2019	Salter	.....	G08G 1/0104

OTHER PUBLICATIONS

Baodiparts. "Baodiparts 2pcs OEM Replacement Front Upper Grille and Lower Grille Set." Amazon.com, posted Nov. 21, 2017 (Retrieved from the Internet Aug. 28, 2019). Internet URL: <<https://www.amazon.com/Baodiparts-Replacement-Grille-Fusion-Mondeo/dp/B077NV666F>> (Year: 2017).\*

\* cited by examiner



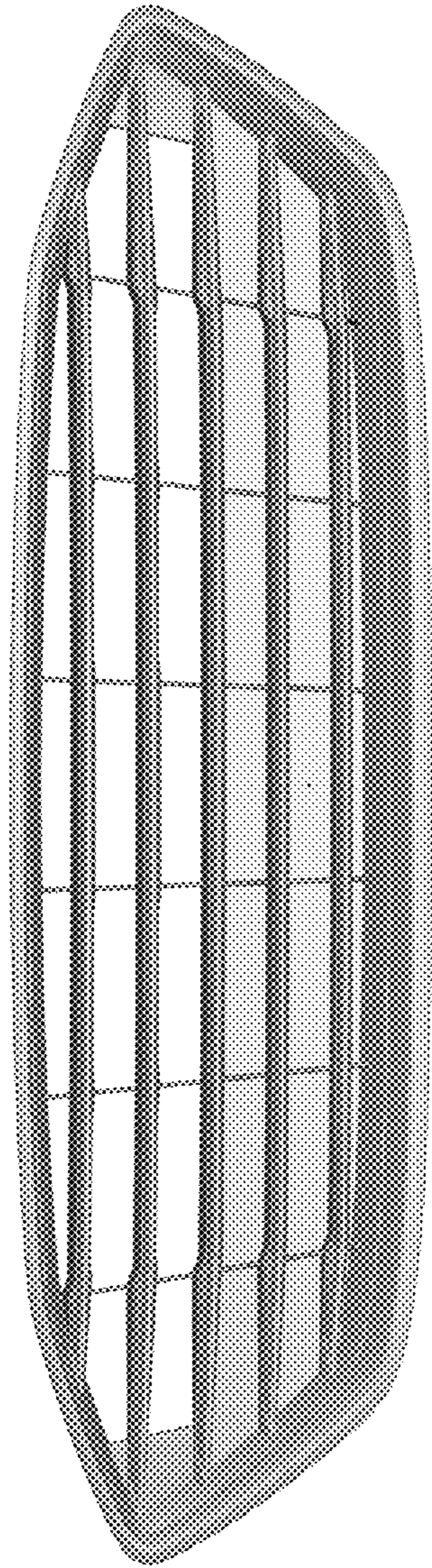


Fig. 1



Fig. 2

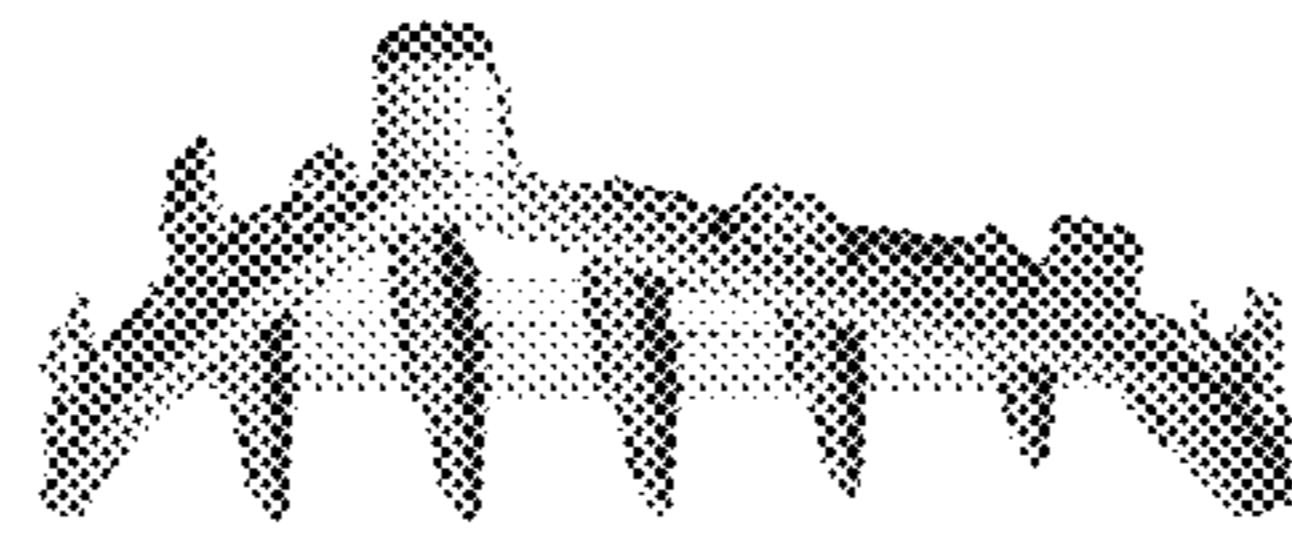


Fig. 3

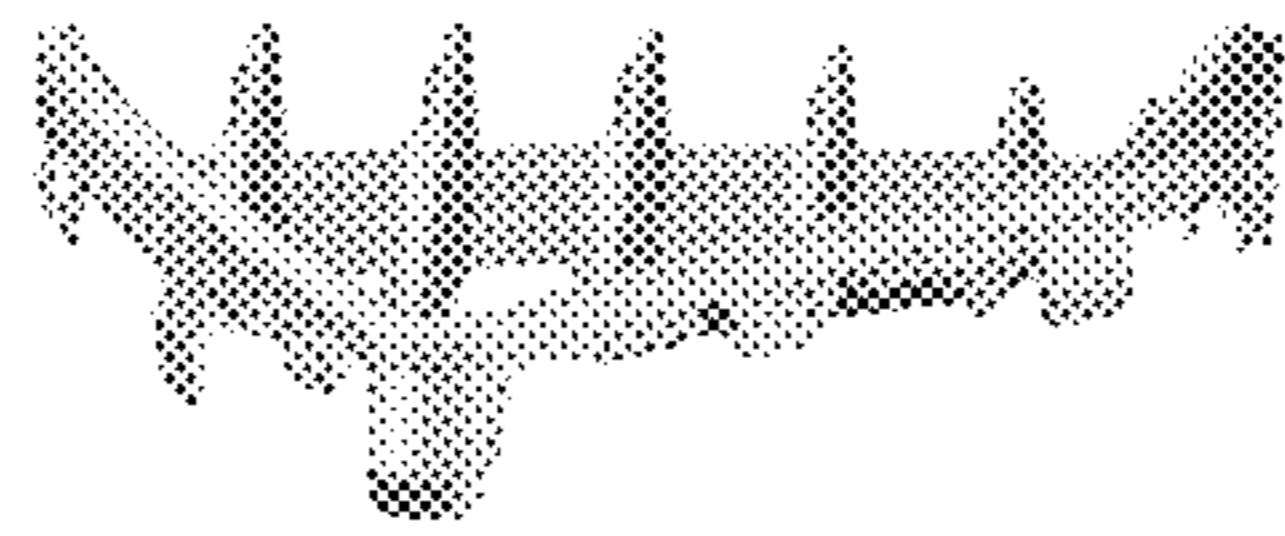


Fig. 4

Fig. 5





Fig. 6



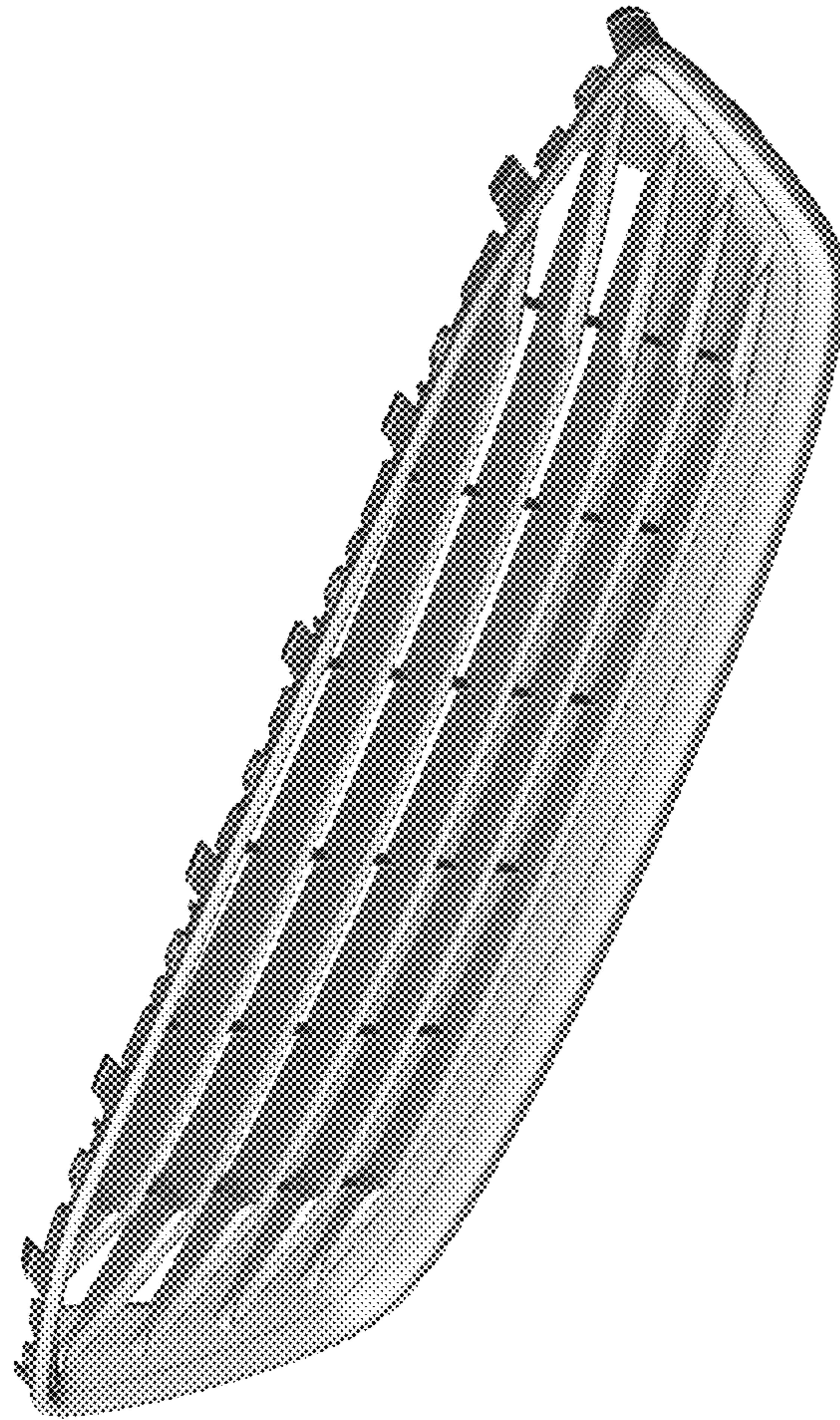


Fig. 7

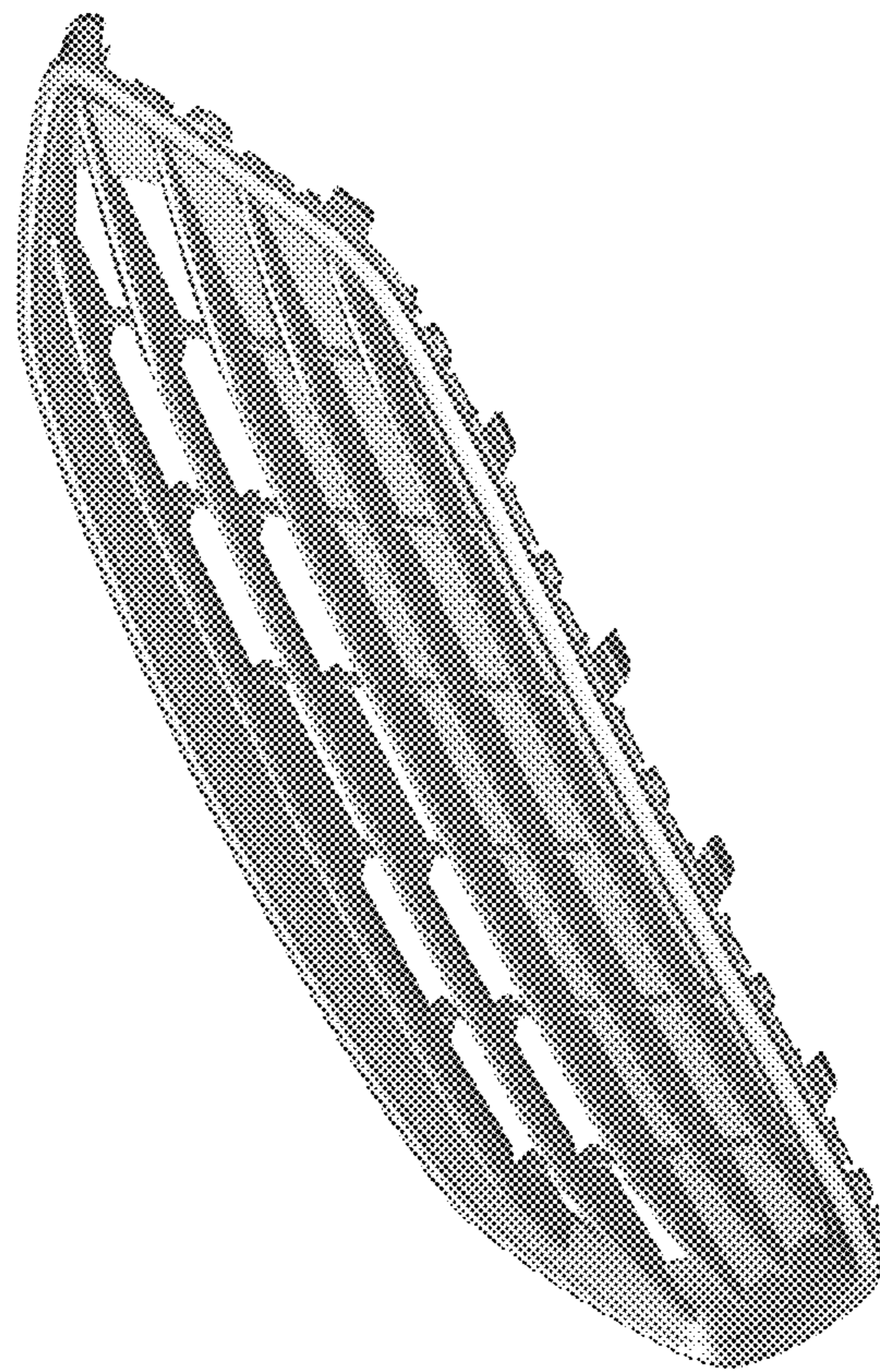


Fig. 8

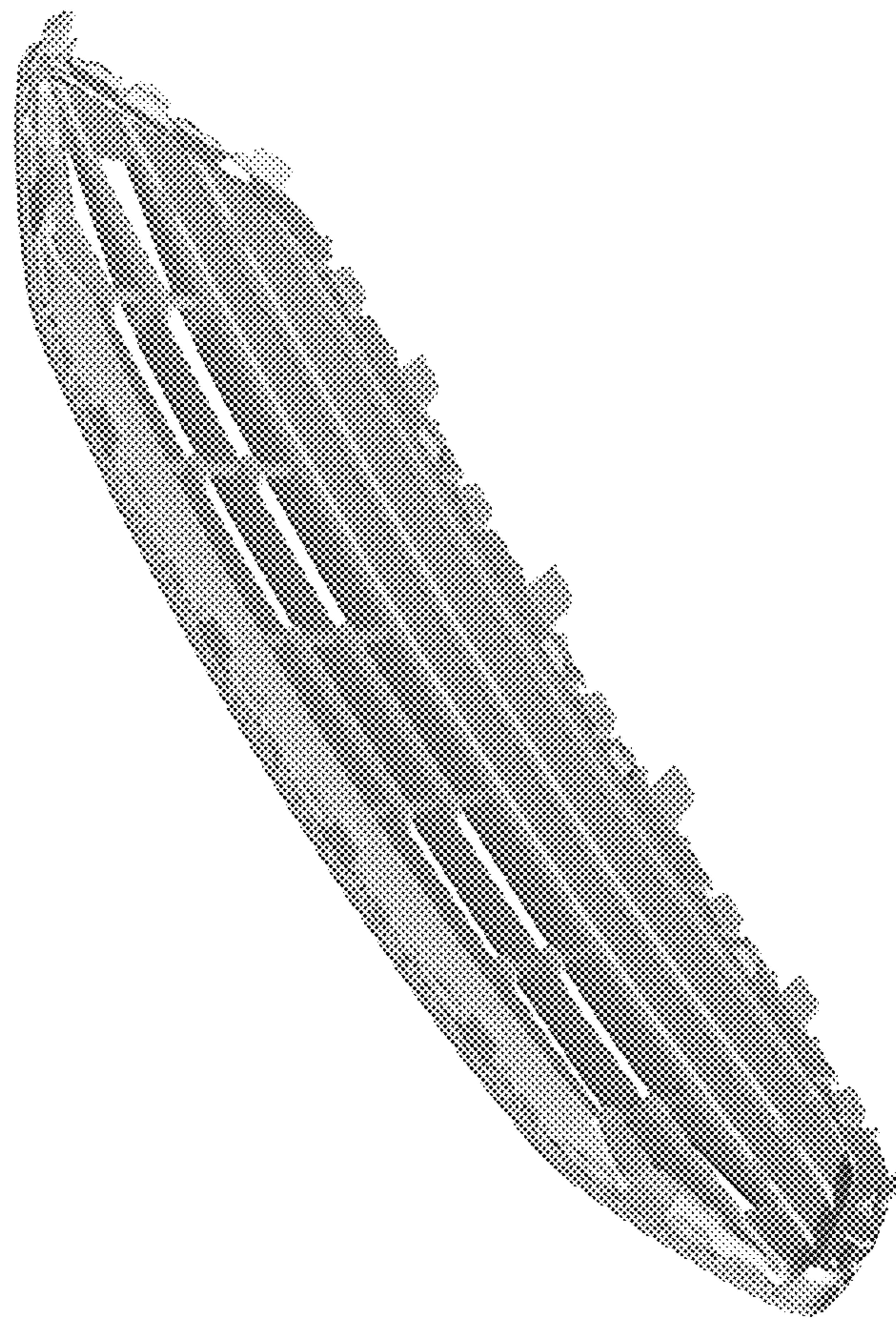


Fig. 9