



US00D879674S

(12) **United States Design Patent** (10) **Patent No.:** **US D879,674 S**  
**Melville-Brown** (45) **Date of Patent:** **\*\* Mar. 31, 2020**

(54) **GRILLE**

(71) Applicant: **HONDA MOTOR CO., LTD.**, Tokyo (JP)

(72) Inventor: **Guy Thomas Melville-Brown**, Manhattan Beach, CA (US)

(73) Assignee: **HONDA MOTOR CO., LTD.**, Tokyo (JP)

(\*\*) Term: **15 Years**

(21) Appl. No.: **29/654,803**

(22) Filed: **Jun. 27, 2018**

(51) **LOC (12) Cl.** ..... **12-16**

(52) **U.S. Cl.**  
USPC ..... **D12/163**

(58) **Field of Classification Search**  
USPC ..... D12/163, 196, 86, 90-92, 169, 190, 98, D12/164; 293/102, 113, 115, 117, 120, 293/193.11; 296/180.1, 180.2; 180/68.1, 180/68.6  
CPC ..... B60R 19/52; B60K 11/08; B62D 25/08; B62B 9/16

See application file for complete search history.

(56) **References Cited**

**U.S. PATENT DOCUMENTS**

D614,543 S *	4/2010	Kitazumi	.....	D12/163
D722,543 S *	2/2015	Kato	.....	D12/163
D729,138 S	5/2015	Davidson et al.		
D752,484 S	3/2016	Davidson et al.		
D759,540 S	6/2016	Davidson et al.		
D760,628 S	7/2016	Davidson et al.		
D761,457 S	7/2016	Davidson et al.		
D764,083 S	8/2016	Davidson et al.		
D767,467 S	9/2016	Davidson et al.		
D772,117 S	11/2016	Davidson et al.		
D774,427 S	12/2016	Davidson et al.		
D774,428 S	12/2016	Davidson et al.		

(Continued)

**OTHER PUBLICATIONS**

“2018 Honda Pilot—The Modern Midsize Family Suv,” Honda Motor. Co., <https://automobiles.honda.com/pilot>, accessed Jun. 18, 2018.

*Primary Examiner* — Melody N Brown

(74) *Attorney, Agent, or Firm* — Arent Fox LLP

(57) **CLAIM**

The ornamental design for a grille, as shown and described.

**DESCRIPTION**

FIG. 1 is a left, front perspective view of a grille showing my new design;  
FIG. 2 is a right, front perspective view thereof;  
FIG. 3 is a left, rear perspective view thereof;  
FIG. 4 is a right, rear perspective view thereof;  
FIG. 5 is a front elevational view thereof;  
FIG. 6 is a rear elevational view thereof;  
FIG. 7 is a left side elevational view thereof;  
FIG. 8 is a right side elevational view thereof;  
FIG. 9 is a bottom plan view thereof;  
FIG. 10 is a top plan view thereof;  
FIG. 11 is a left, front perspective view of a grille showing a second embodiment of my new design;  
FIG. 12 is a right, front perspective view of FIG. 11;  
FIG. 13 is a left, rear perspective view of FIG. 11;  
FIG. 14 is a right, rear perspective view of FIG. 11;  
FIG. 15 is a front elevational view of FIG. 11;  
FIG. 16 is a rear elevational view of FIG. 11;  
FIG. 17 is a left side elevational view of FIG. 11;  
FIG. 18 is a right side elevational view of FIG. 11;  
FIG. 19 is a bottom plan view of FIG. 11; and,  
FIG. 20 is a top plan view of FIG. 11.

The broken lines shown in the figures are included for the purpose of illustrating portions of the grille and form no part of the claimed design.

**1 Claim, 20 Drawing Sheets**



(56)

**References Cited**

U.S. PATENT DOCUMENTS

D774,951 S	*	12/2016	Kazama .....	D12/92
D775,553 S	*	1/2017	Ishii .....	D12/163
D819,507 S	*	6/2018	Bridan .....	D12/163
D824,813 S	*	8/2018	Miyazawa .....	D12/163
D831,545 S	*	10/2018	Smock .....	D12/163

\* cited by examiner



FIG. 1



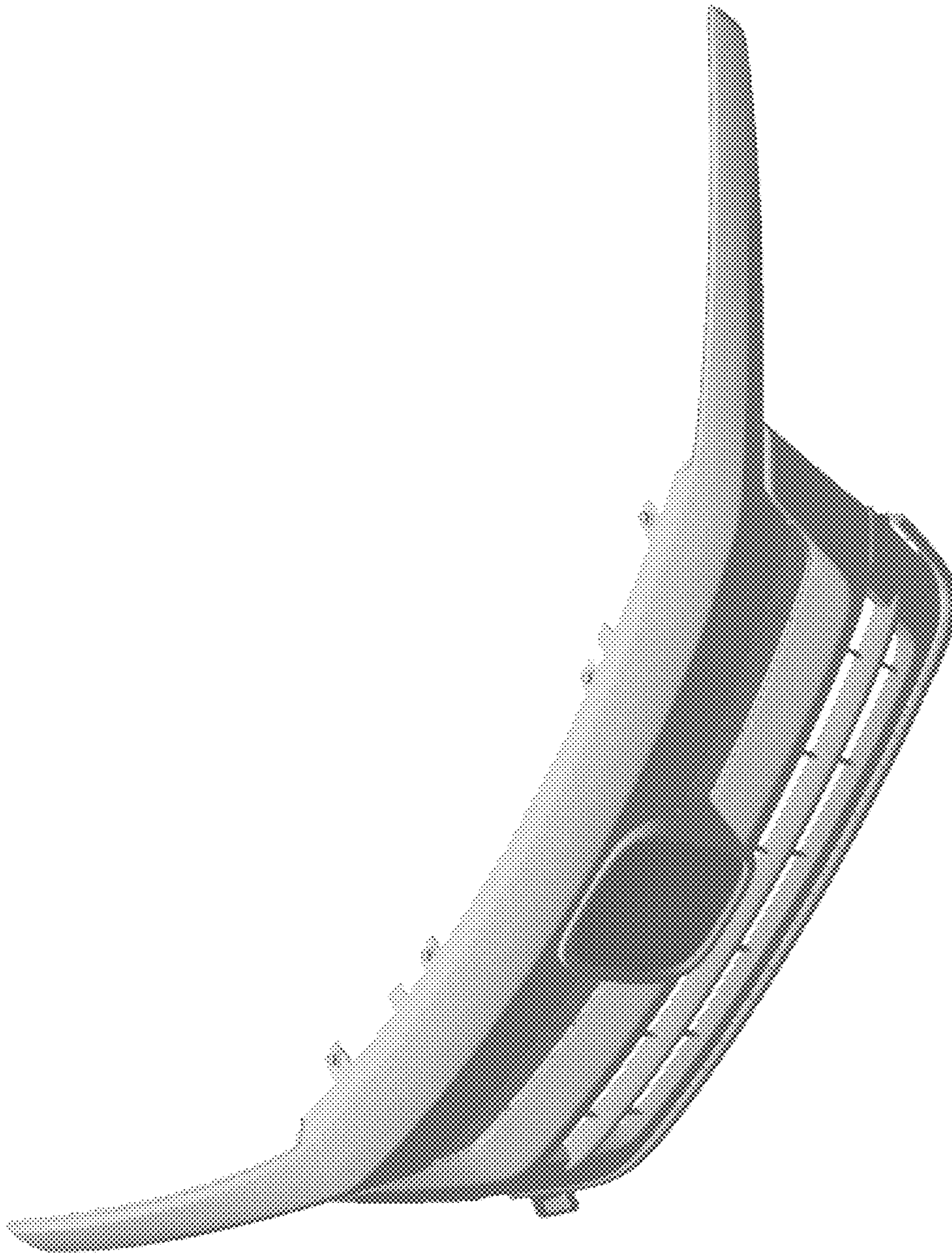


FIG. 2

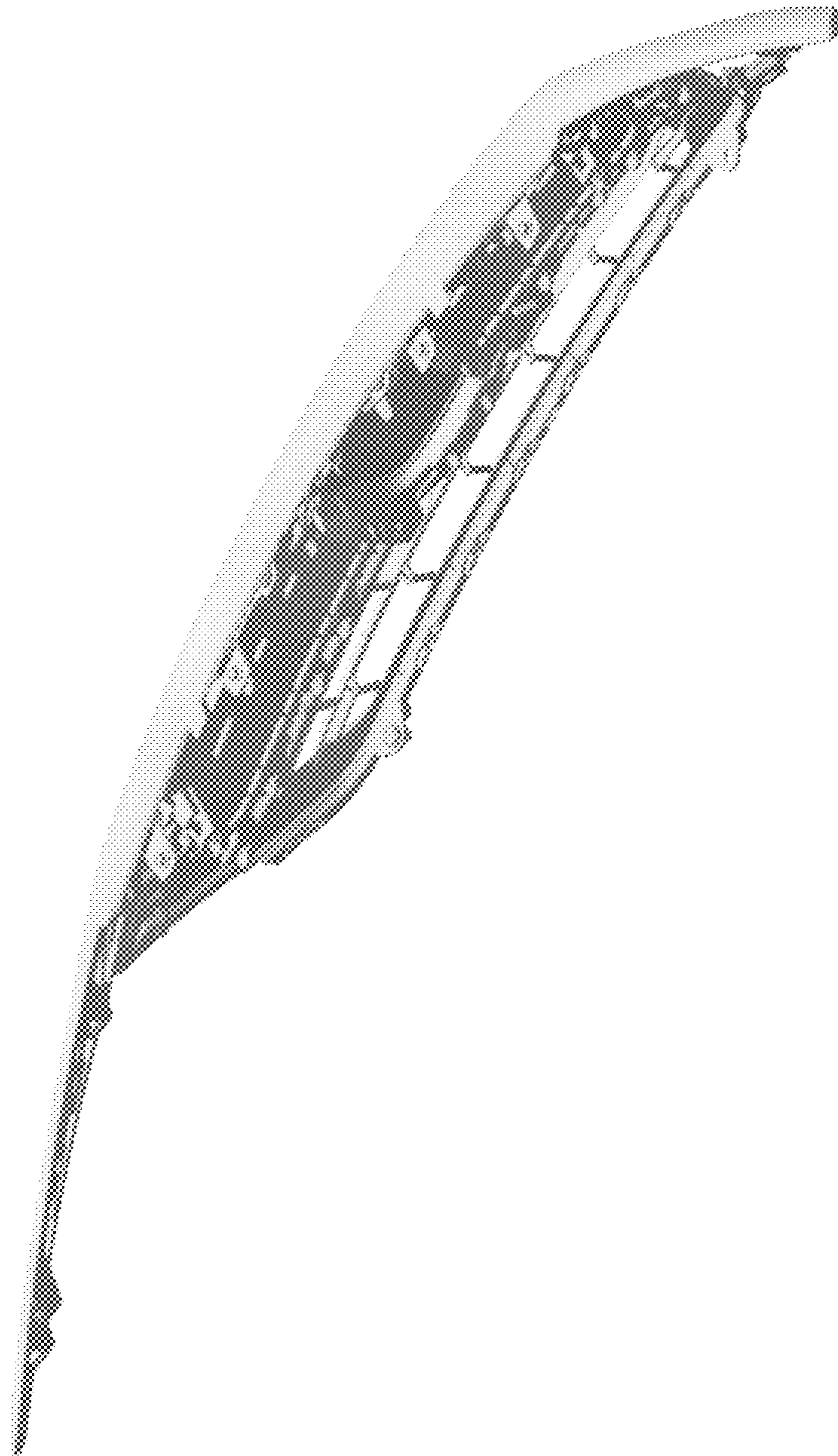


FIG. 3

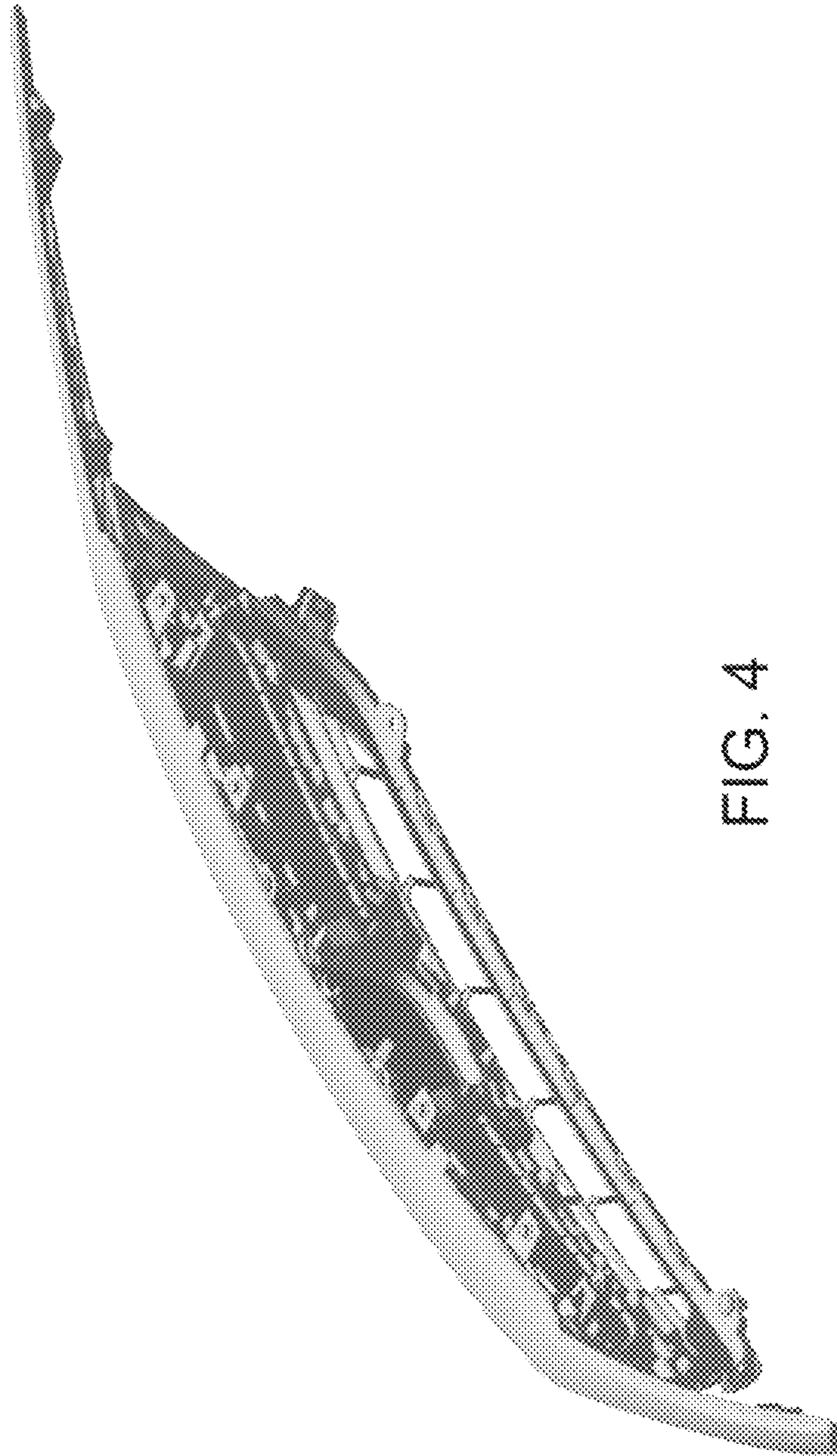


FIG. 4



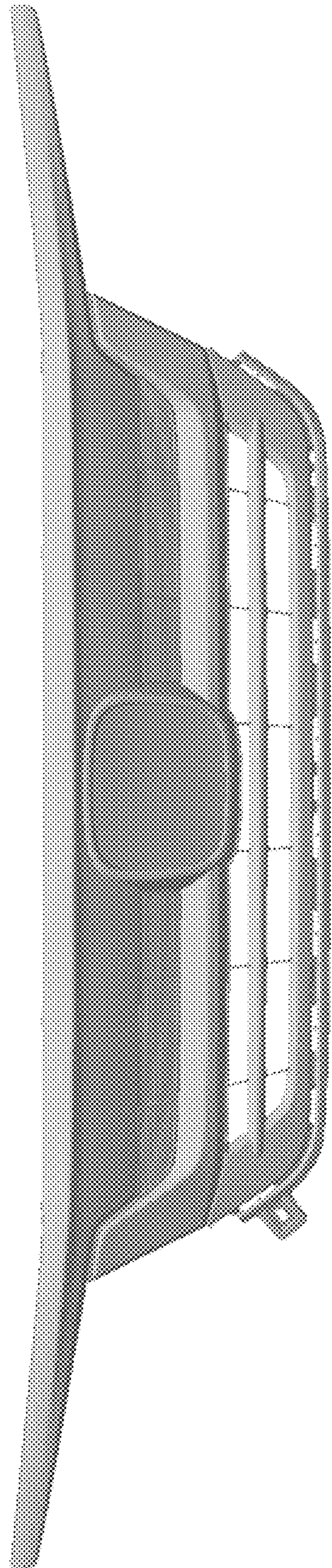


FIG. 5

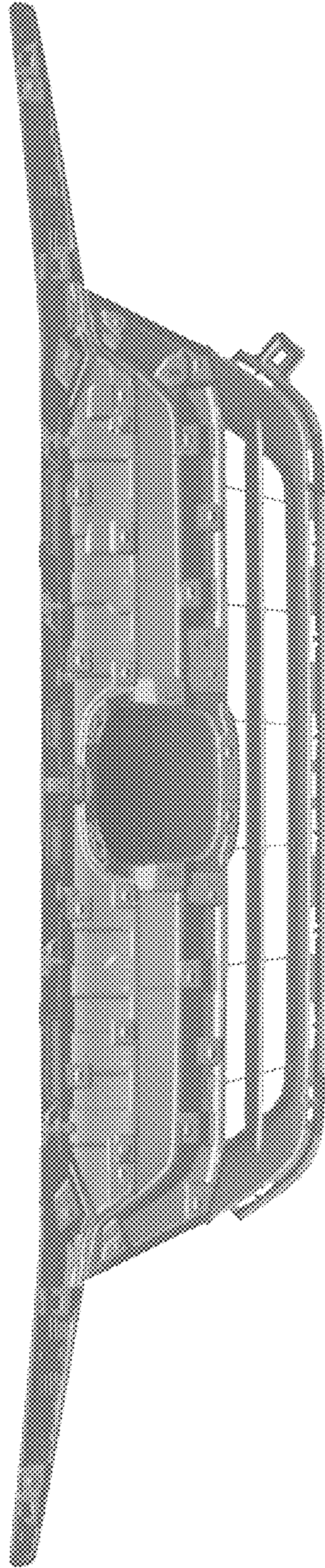


FIG. 6



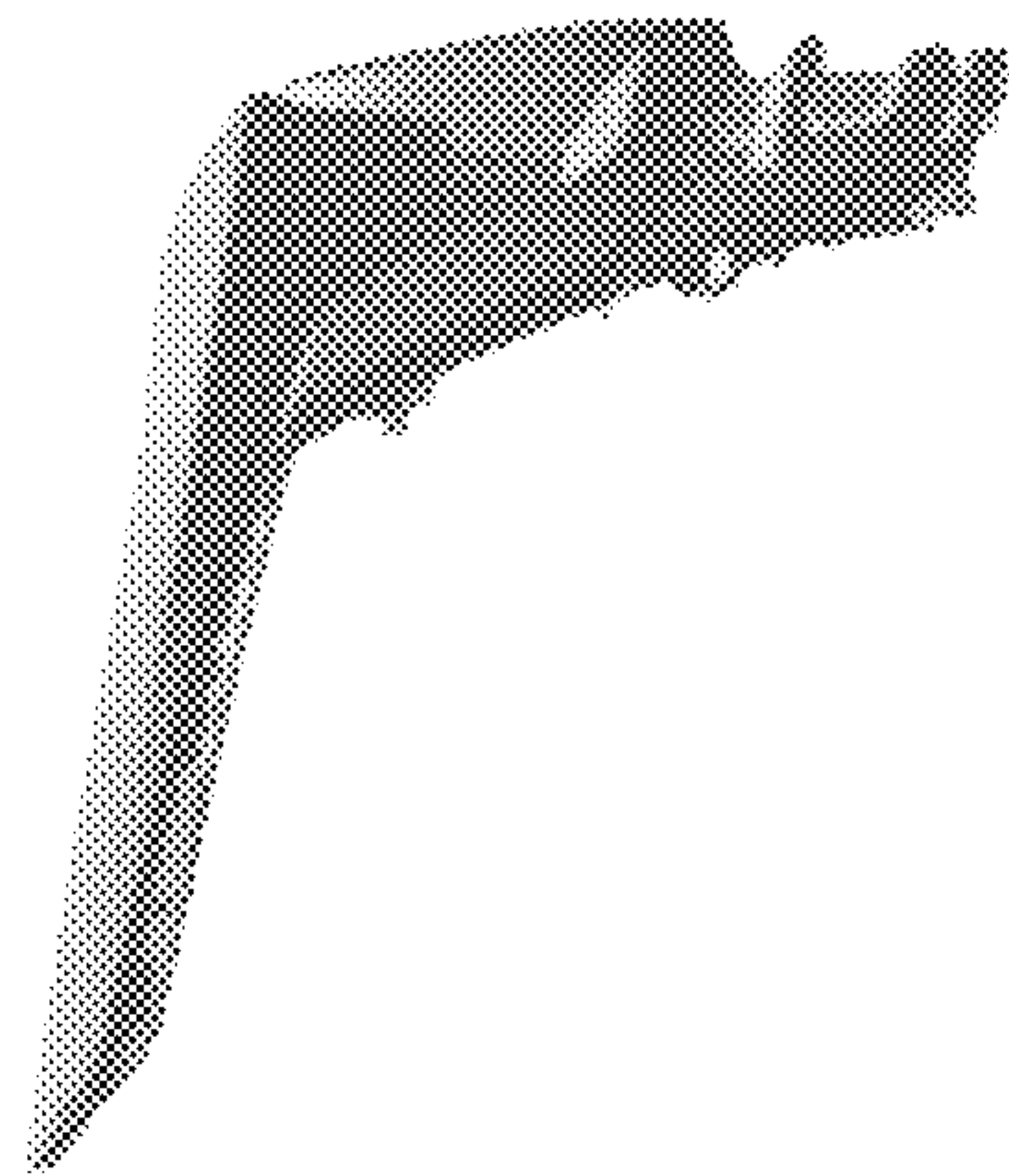


FIG. 7

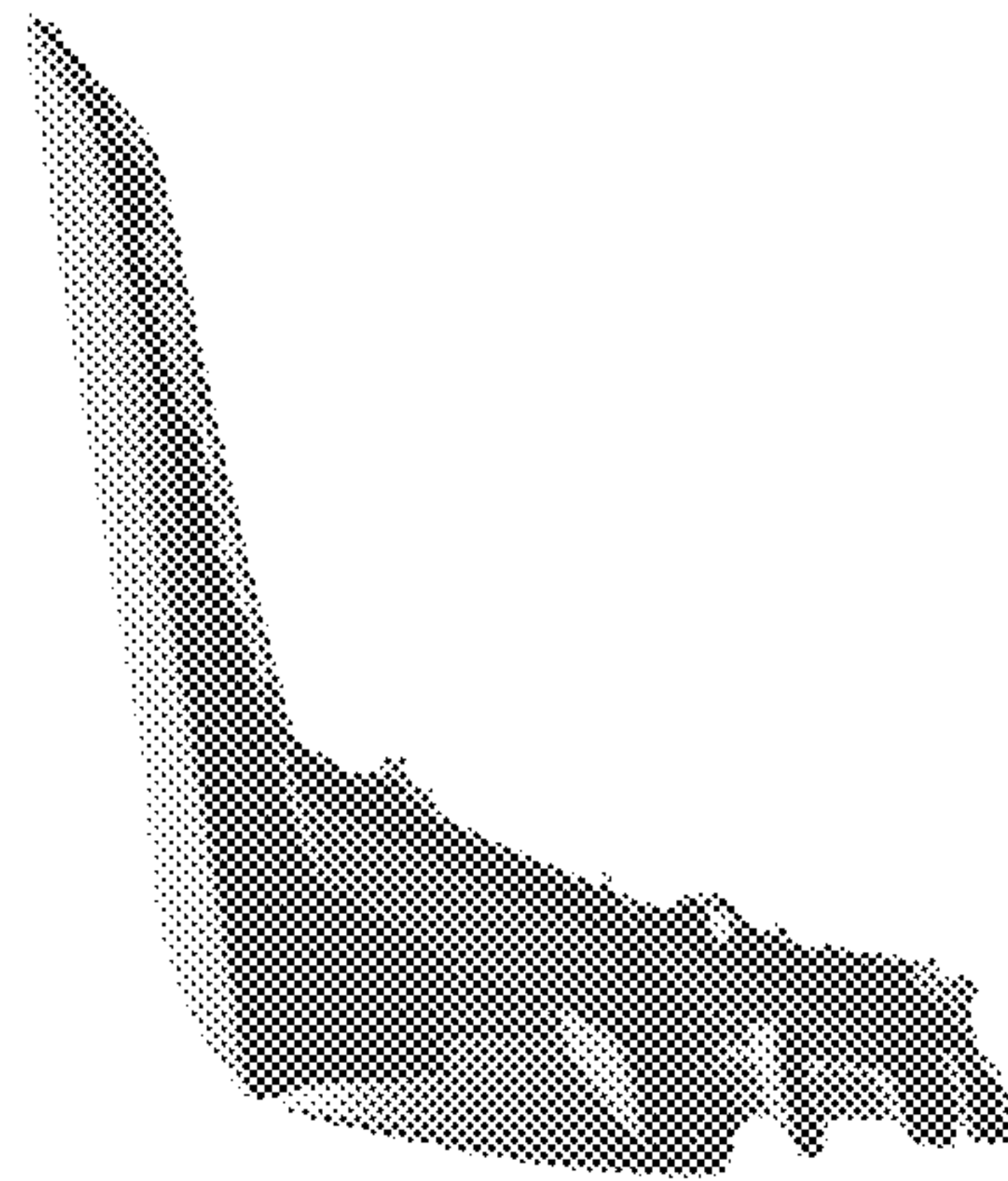


FIG. 8

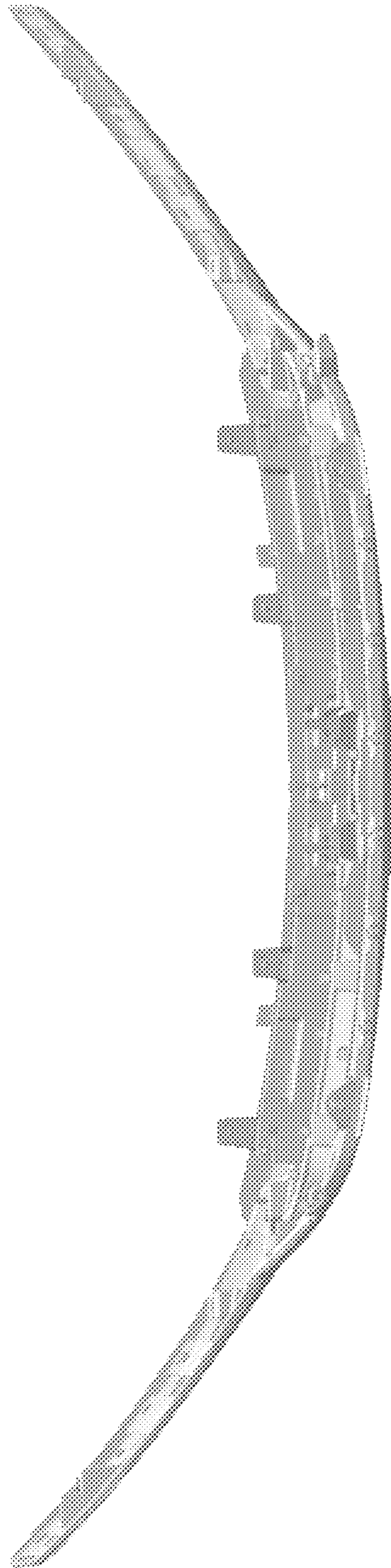


FIG. 9



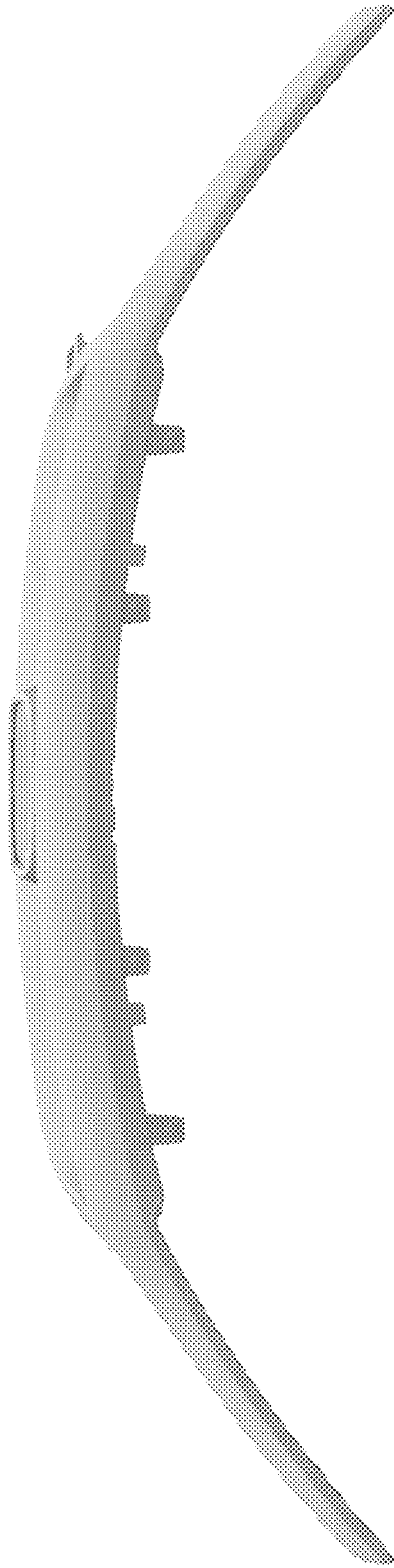


FIG. 10

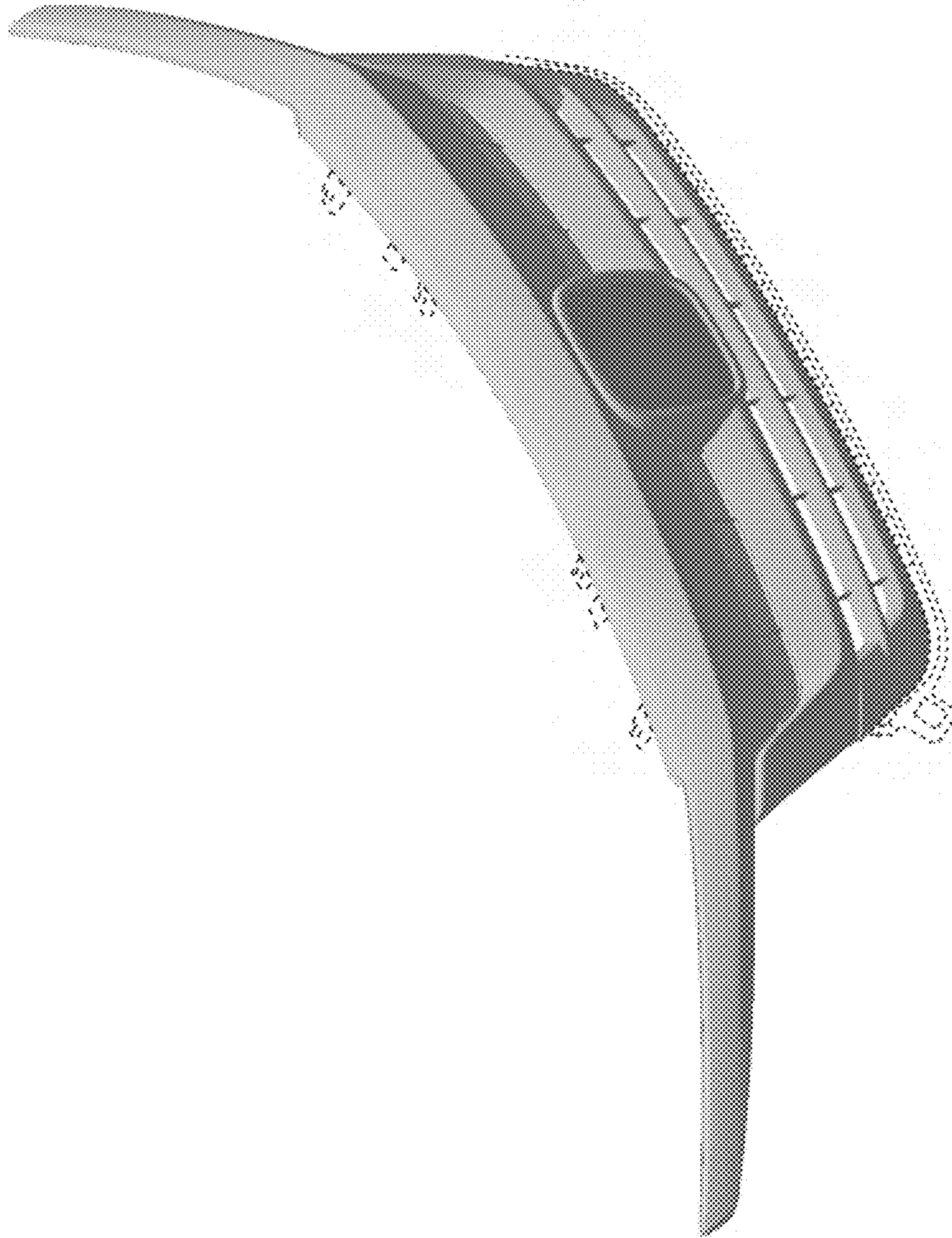


FIG. 11



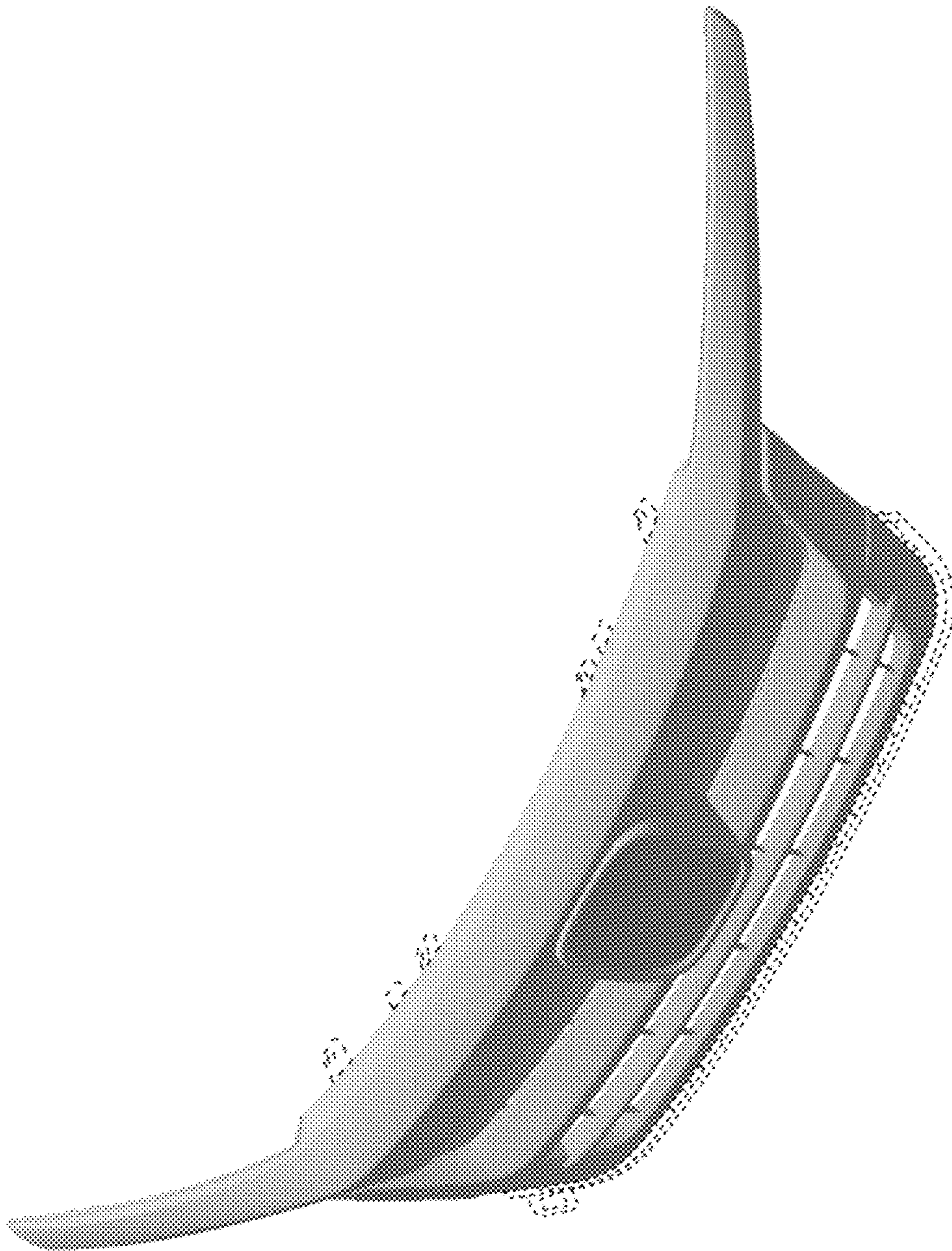


FIG. 12





FIG. 13

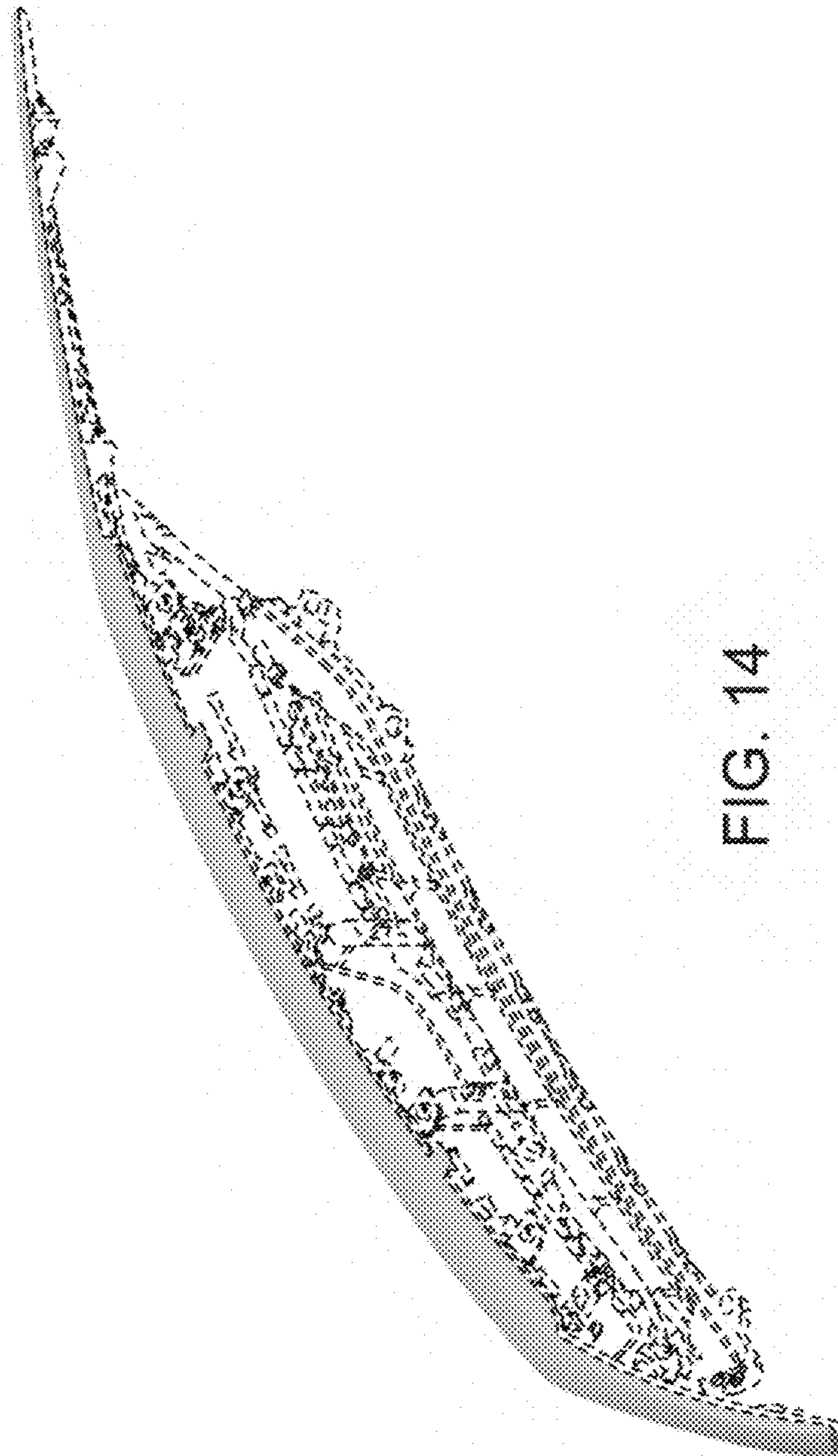


FIG. 14

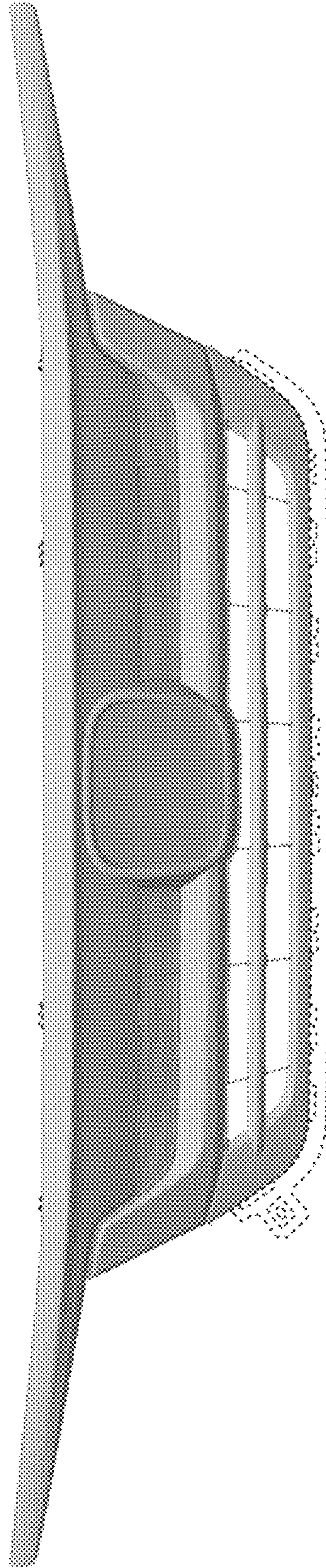


FIG. 15



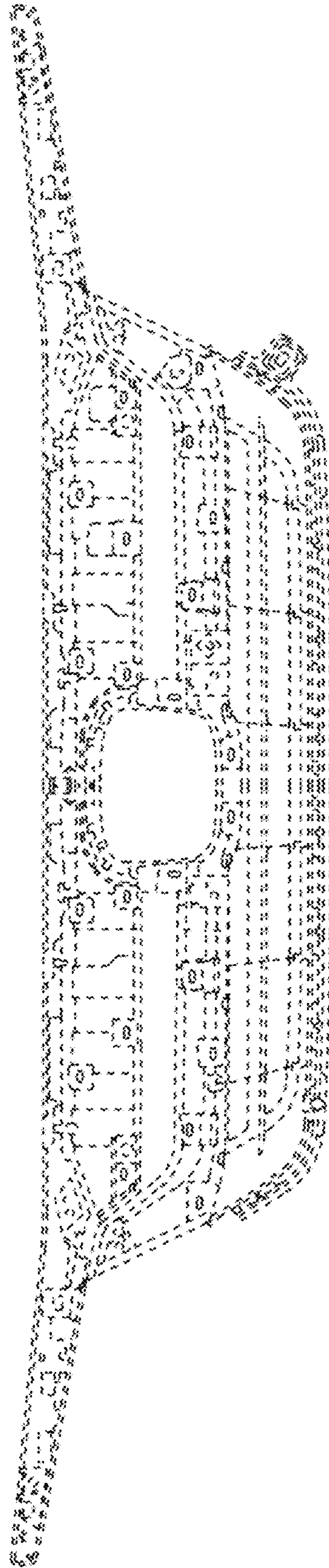


FIG. 16

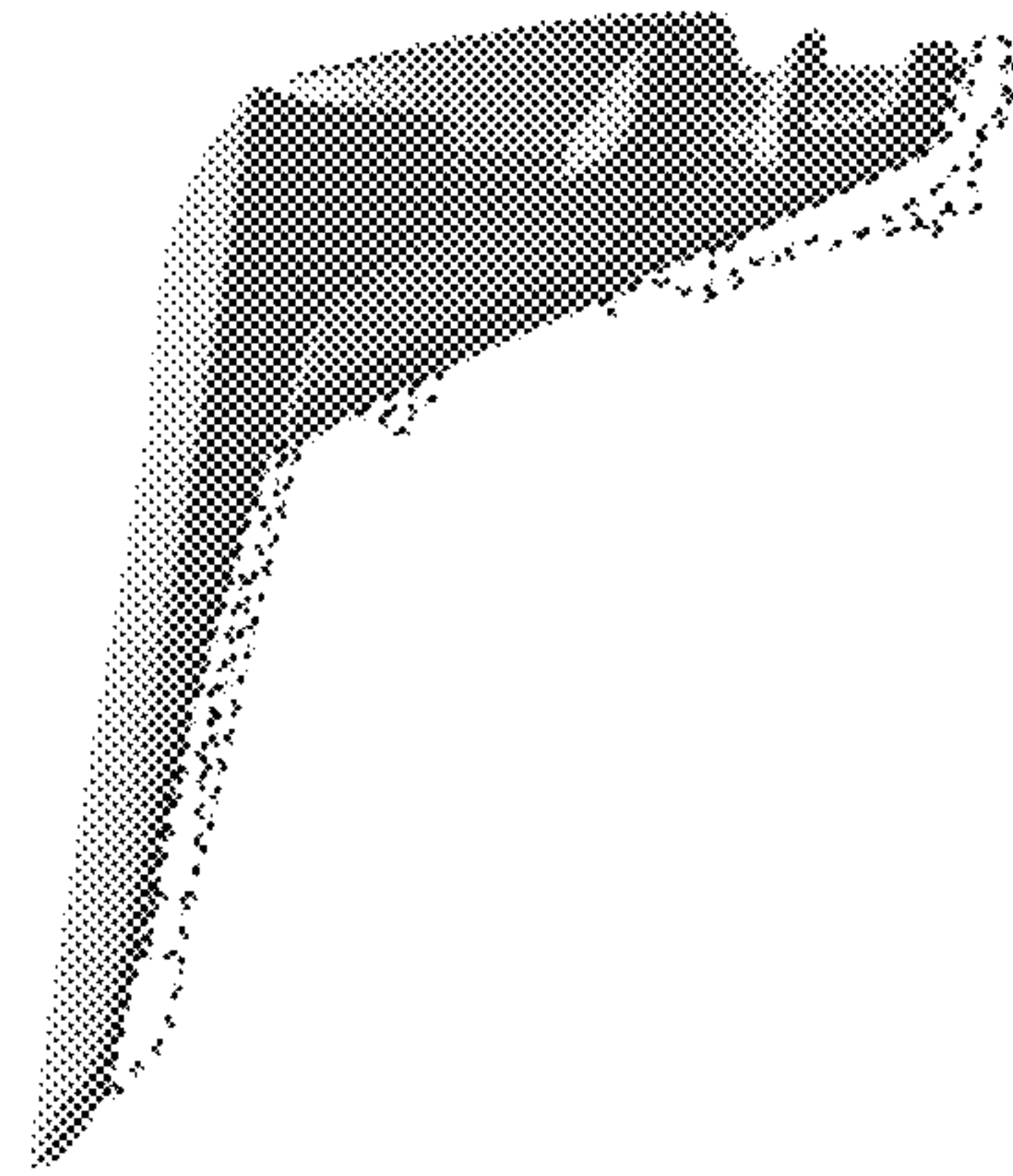


FIG. 17

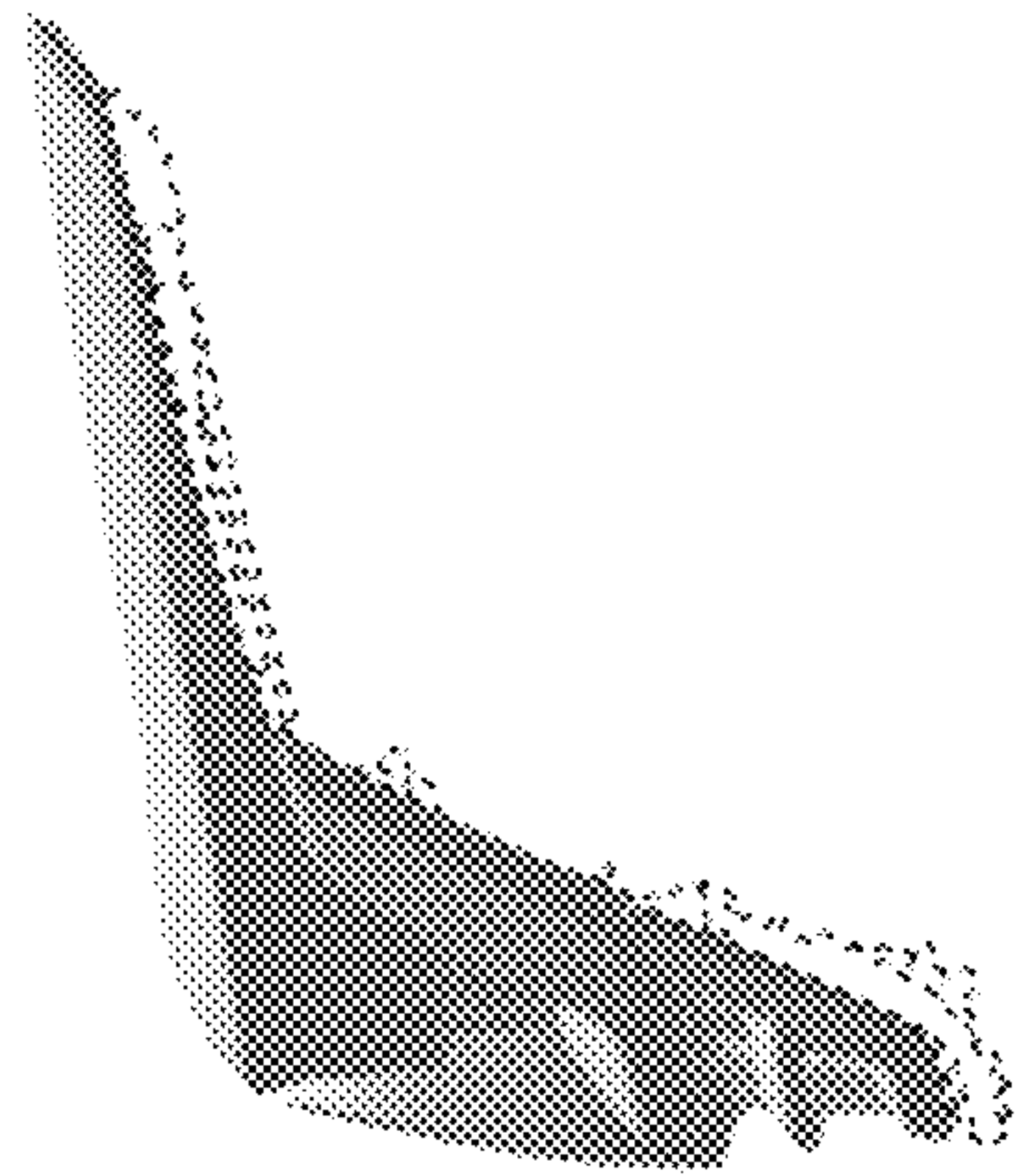


FIG. 18



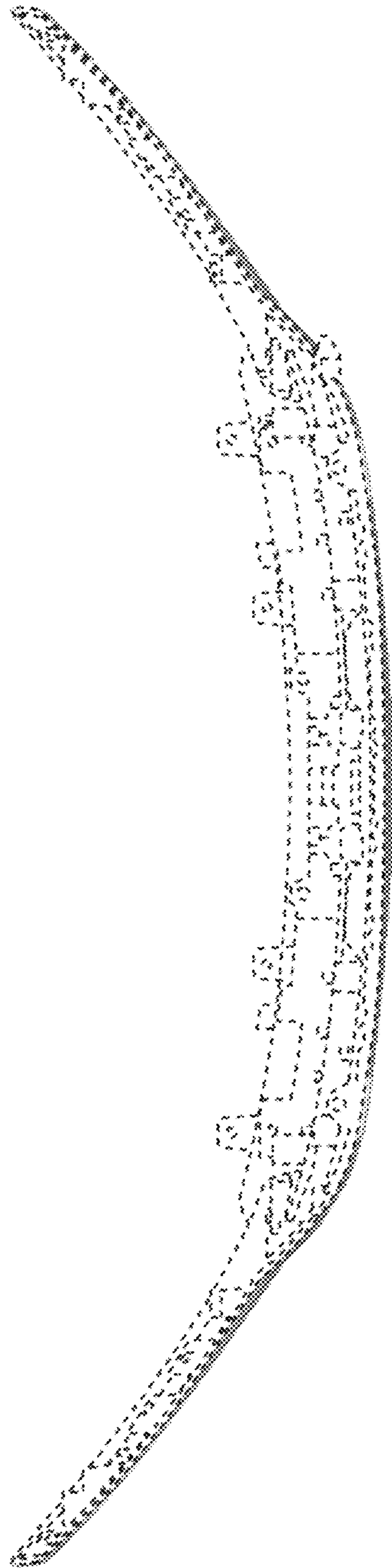


FIG. 19

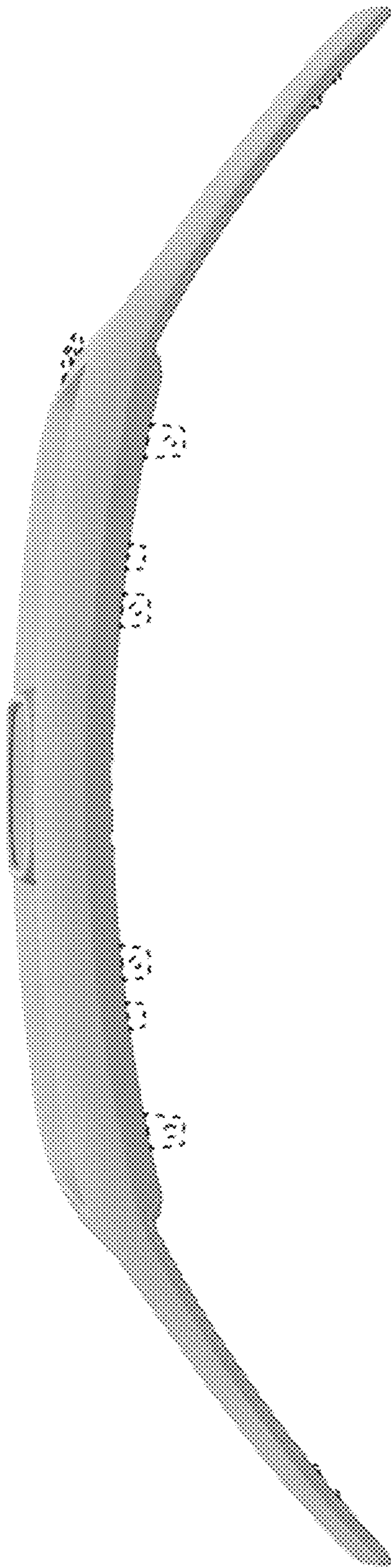


FIG. 20