



US00D879673S

(12) **United States Design Patent** (10) **Patent No.:** **US D879,673 S**
Buttigieg (45) **Date of Patent:** **** Mar. 31, 2020**

(54) **FRONT BUMPER SIDE GRILLE FOR A VEHICLE**

D790,412 S * 6/2017 Dunford D12/163
D790,413 S * 6/2017 Doyle D12/164
D793,918 S * 8/2017 Kozub D12/163

(Continued)

(71) Applicant: **Jaguar Land Rover Limited**, Whitley, Coventry (GB)

Primary Examiner — Susan Bennett Hattan

(72) Inventor: **Tom Buttigieg**, Coventry (GB)

Assistant Examiner — Suzanne E Tisdell

(73) Assignee: **Jaguar Land Rover Limited**, Whitley, Coventry (GB)

(74) *Attorney, Agent, or Firm* — Wood Herron & Evans LLP

(**) Term: **15 Years**

(57) **CLAIM**

The ornamental design for a front bumper side grille for a vehicle, as shown and described.

(21) Appl. No.: **29/642,071**

DESCRIPTION

(22) Filed: **Mar. 27, 2018**

FIG. 1 is a front left perspective view of a front bumper side grille for a vehicle according to the present invention.

(30) **Foreign Application Priority Data**

FIG. 2 is a front right perspective view of the front bumper side grille shown in FIG. 1.

Oct. 3, 2017 (EM) 004383248

FIG. 3 is a rear right perspective view thereof.

(51) **LOC (12) Cl.** **12-16**

FIG. 4 is a rear left perspective view thereof.

(52) **U.S. Cl.**

FIG. 5 is a front view thereof.

USPC **D12/163**

FIG. 6 is a rear view thereof.

(58) **Field of Classification Search**

FIG. 7 is a left side view thereof.

USPC D12/163, 164, 165, 166, 167, 168, 169, D12/170, 171, 172, 173, 181

FIG. 8 is a right side view thereof.

CPC B60K 11/08; B62L 39/16; B60R 19/50; B62D 25/08

FIG. 9 is a top view thereof.

See application file for complete search history.

FIG. 10 is a bottom view thereof; and,

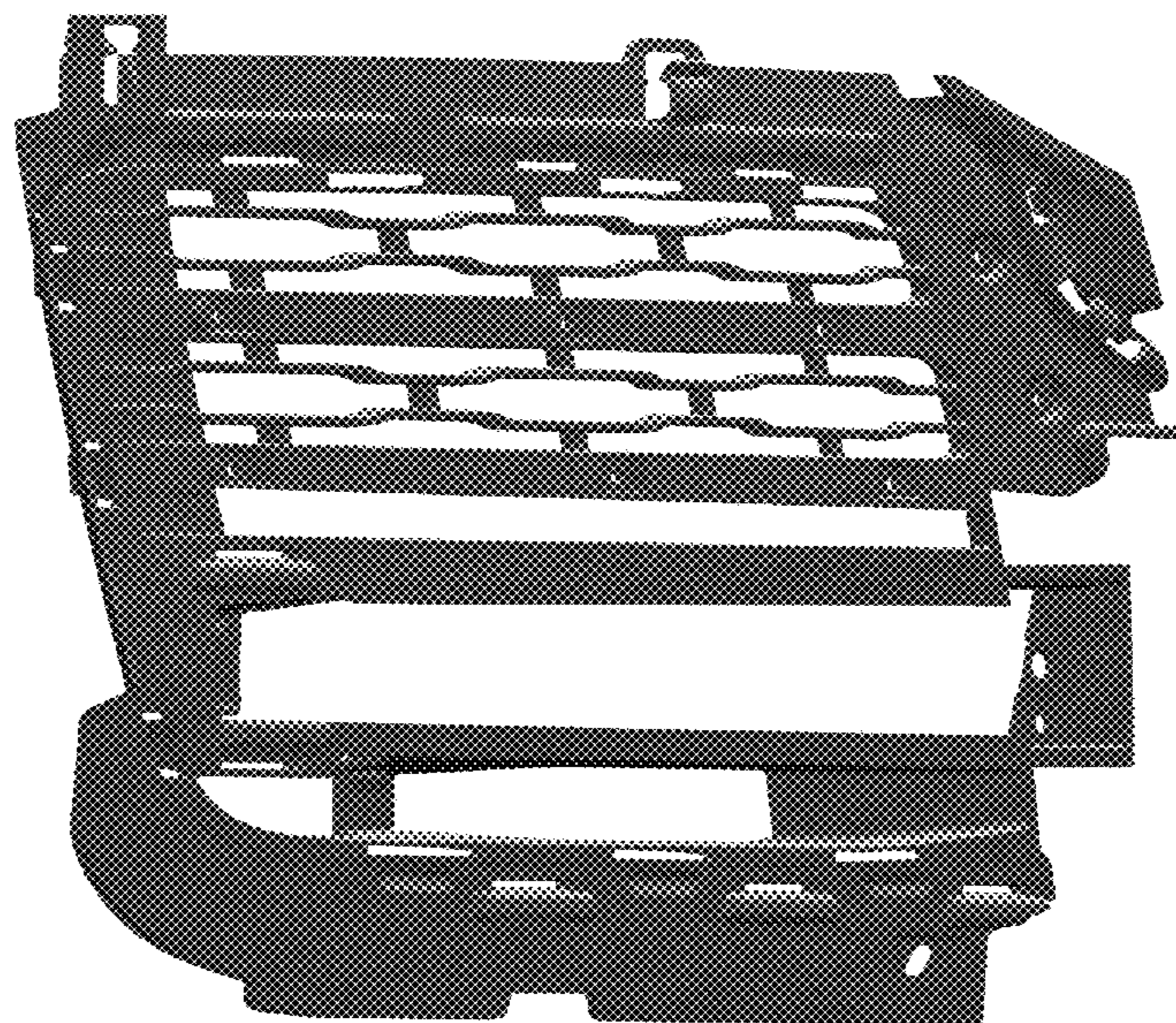
(56) **References Cited**

FIG. 11 is a front view of the front bumper side grille shown in FIGS. 1-10, but with the front bumper side grille mounted on a vehicle, and the rest of the vehicle shown in de-emphasized and half-tone portions so as to illustrate environmental structure. These portions form no part of the claimed invention. More particularly, in FIG. 11, the inventive front bumper side grille is shown within the outer broken line, and the elements shown outside the outer broken line form no part of the claimed invention. Nonetheless, the inner broken lines located inside the outer broken line form no part of the claimed design. Also, the invention contemplates a mirror image front bumper side grille on the opposite side of the vehicle.

U.S. PATENT DOCUMENTS

D496,890 S * 10/2004 Metros D12/163
D668,590 S * 10/2012 Furst D12/163
D687,751 S * 8/2013 Futschik D12/163
D701,798 S * 4/2014 Futschik D12/164
D759,551 S * 6/2016 Nakahara D12/163
D769,160 S * 10/2016 Platto D12/163
D783,465 S * 4/2017 Choi D12/163
D789,841 S * 6/2017 Malczewski D12/163

1 Claim, 11 Drawing Sheets



(56)

References Cited

U.S. PATENT DOCUMENTS

D794,517 S * 8/2017 Woolley D12/163
2017/0137954 A1* 5/2017 Hashimoto B60K 11/08

* cited by examiner

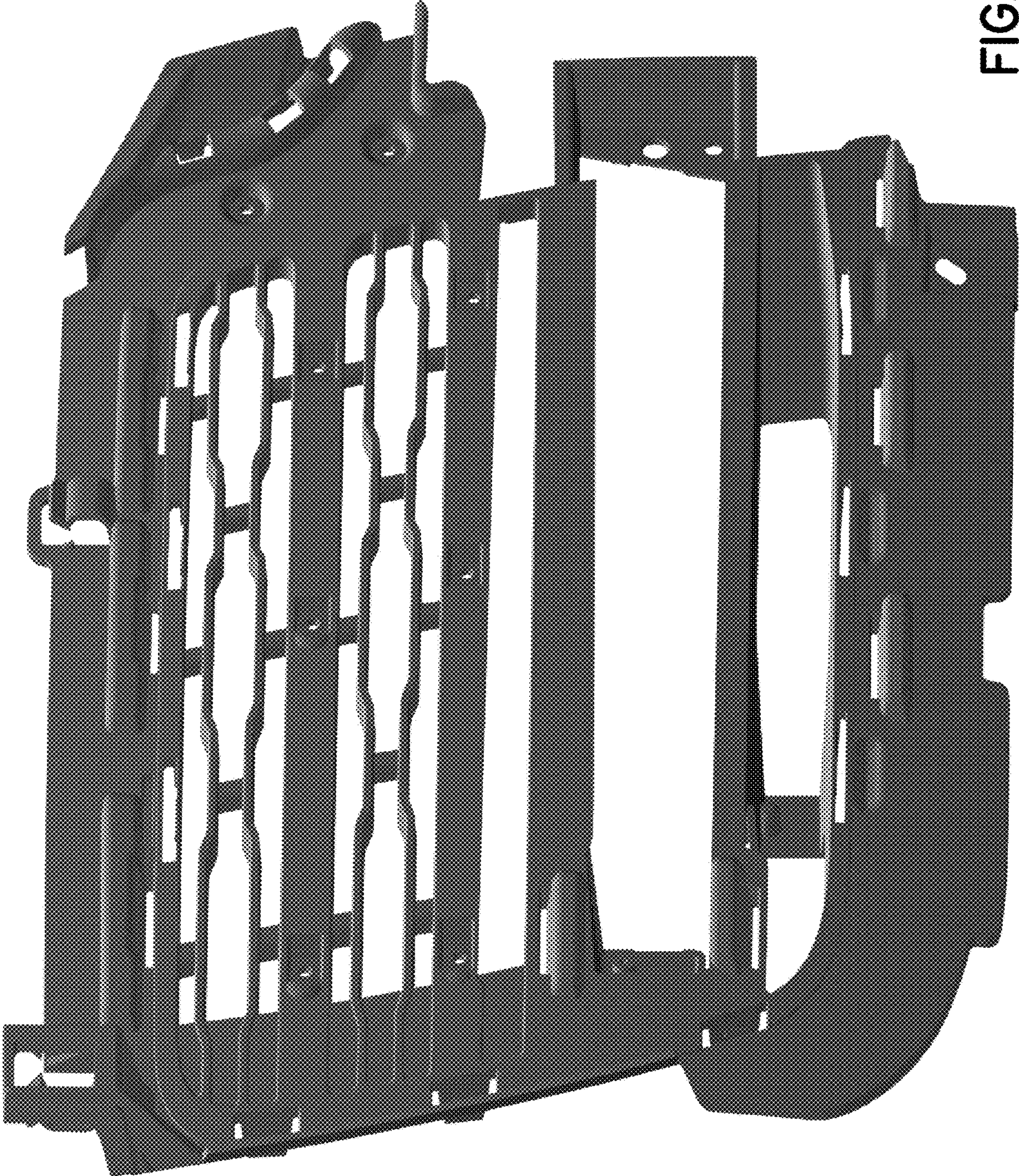


FIG. 1

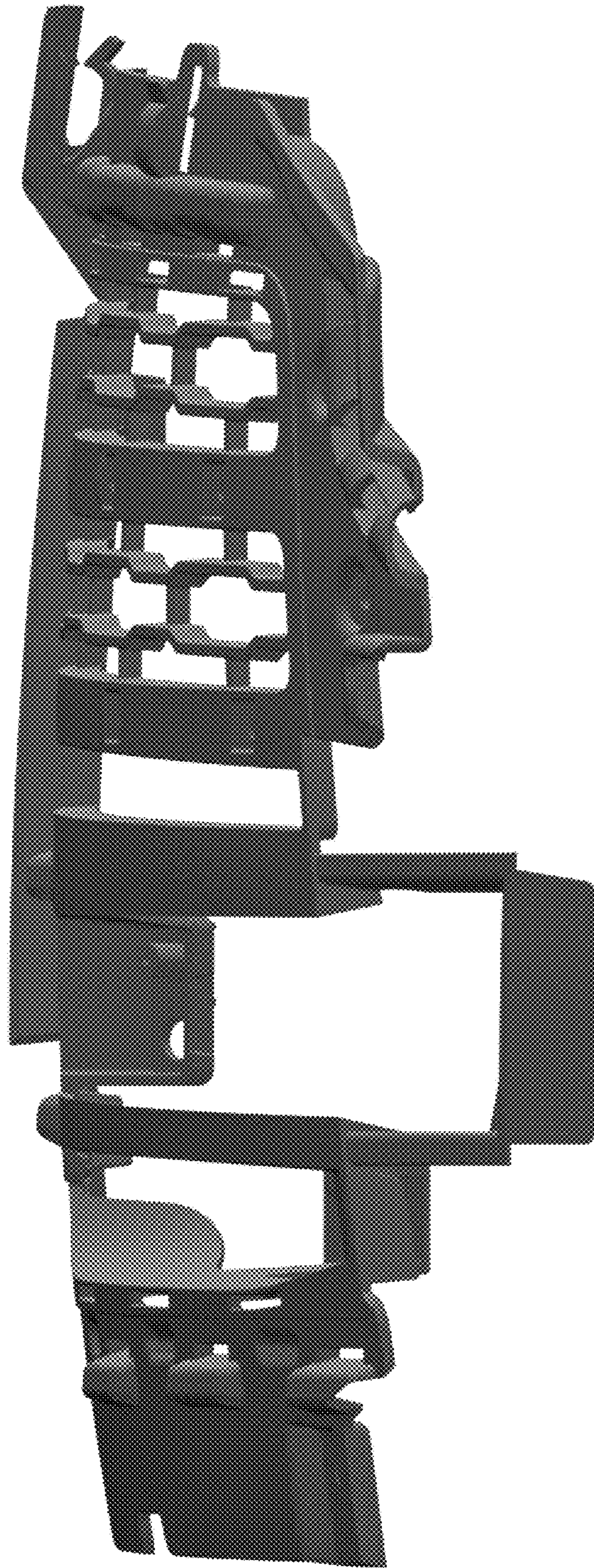


FIG. 2

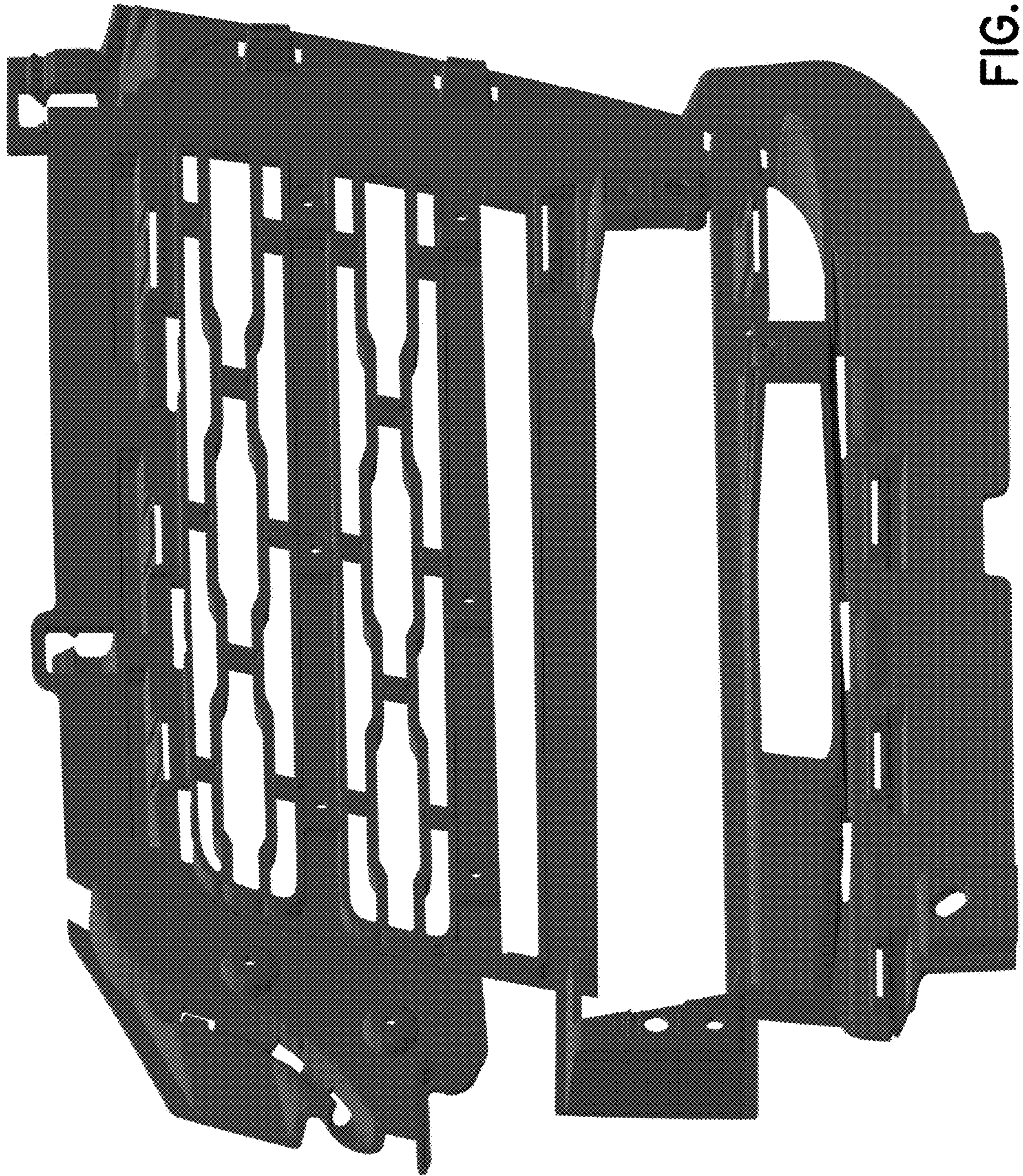


FIG. 3

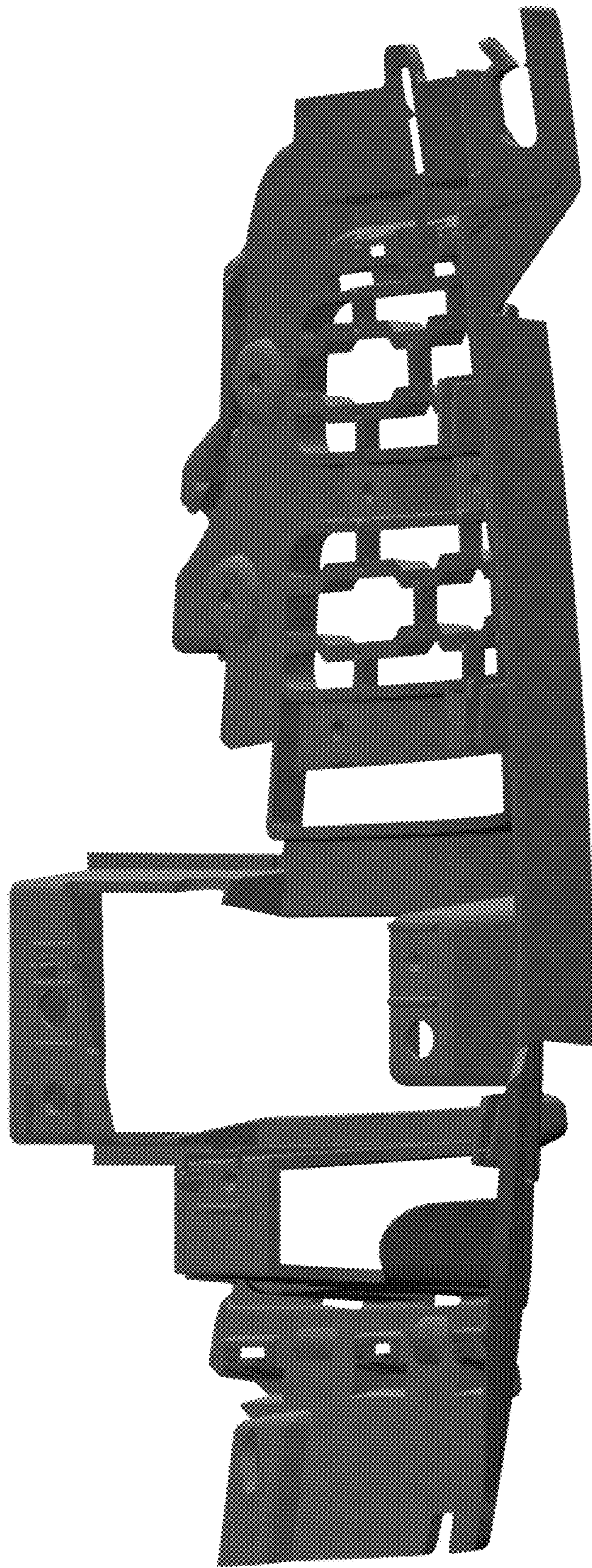


FIG. 4

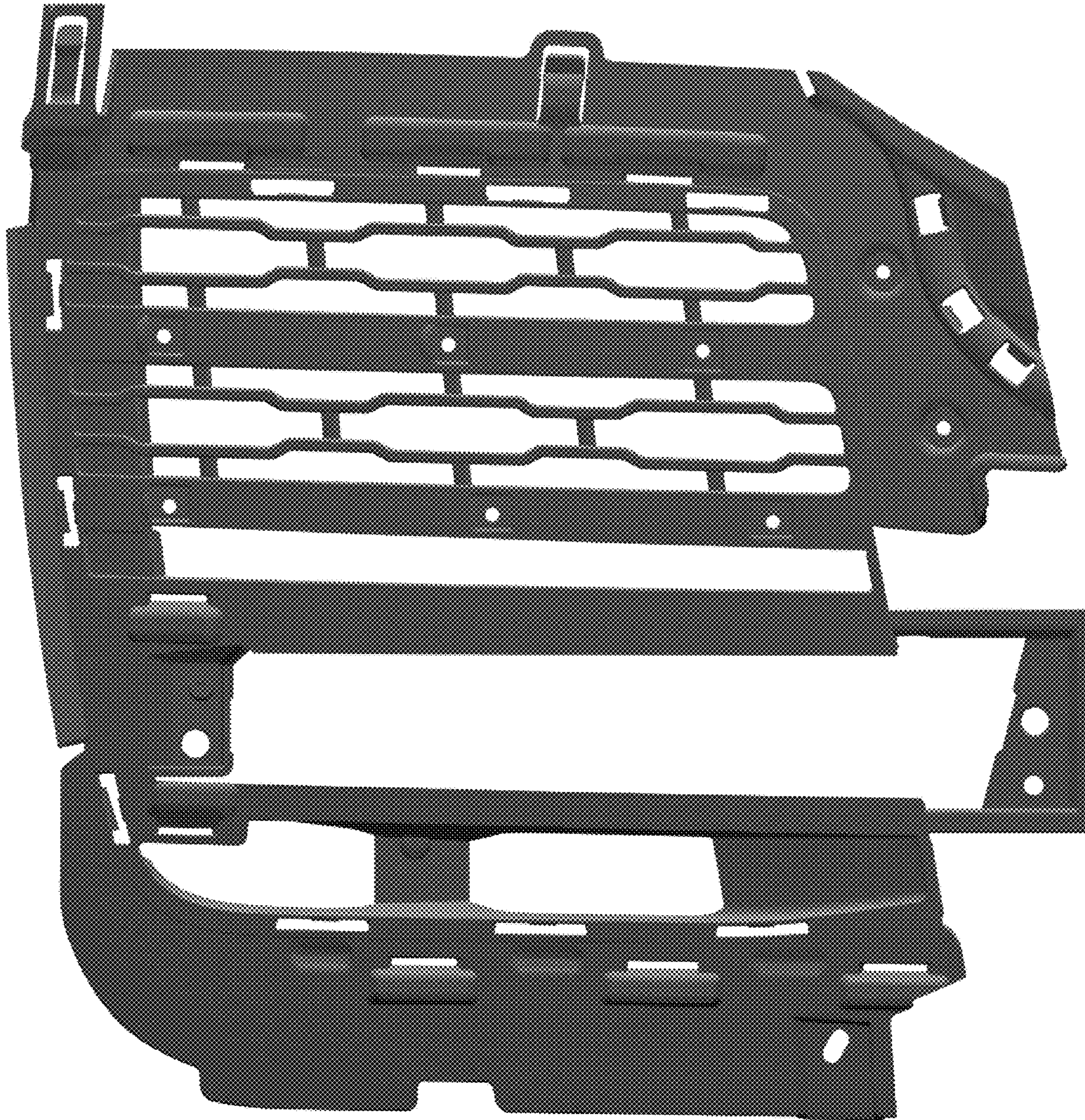


FIG. 5

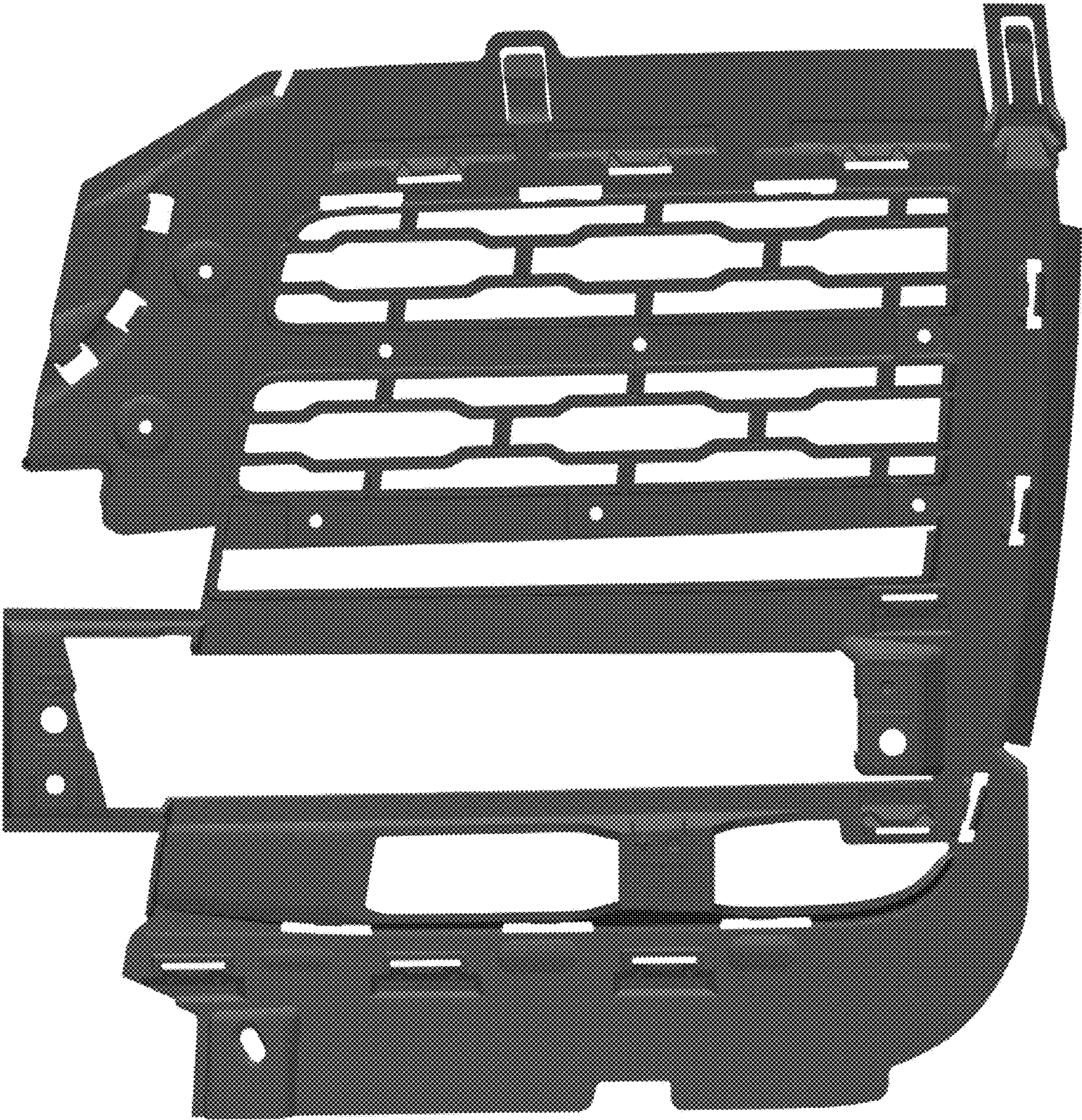


FIG. 6



FIG. 7

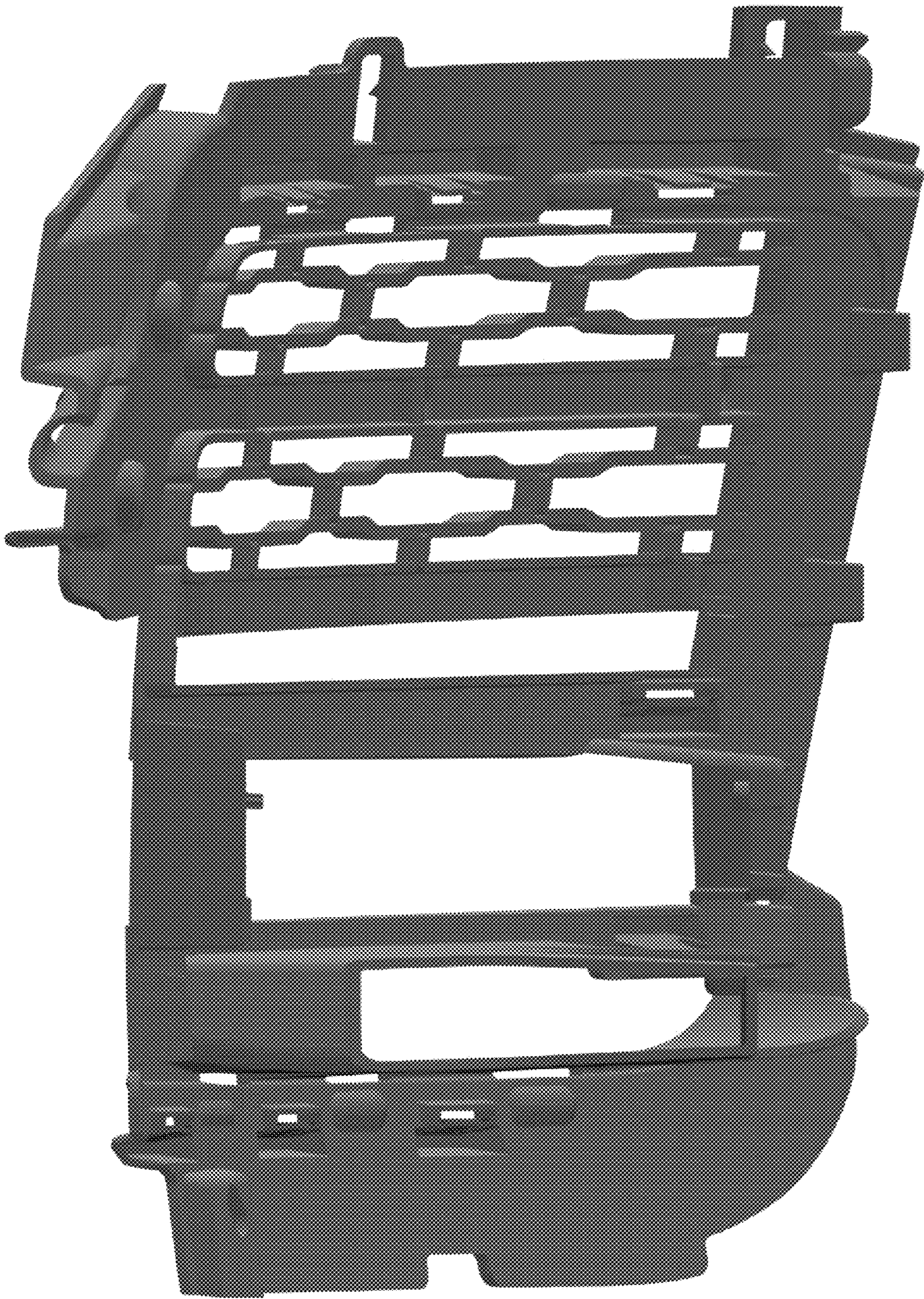


FIG. 8

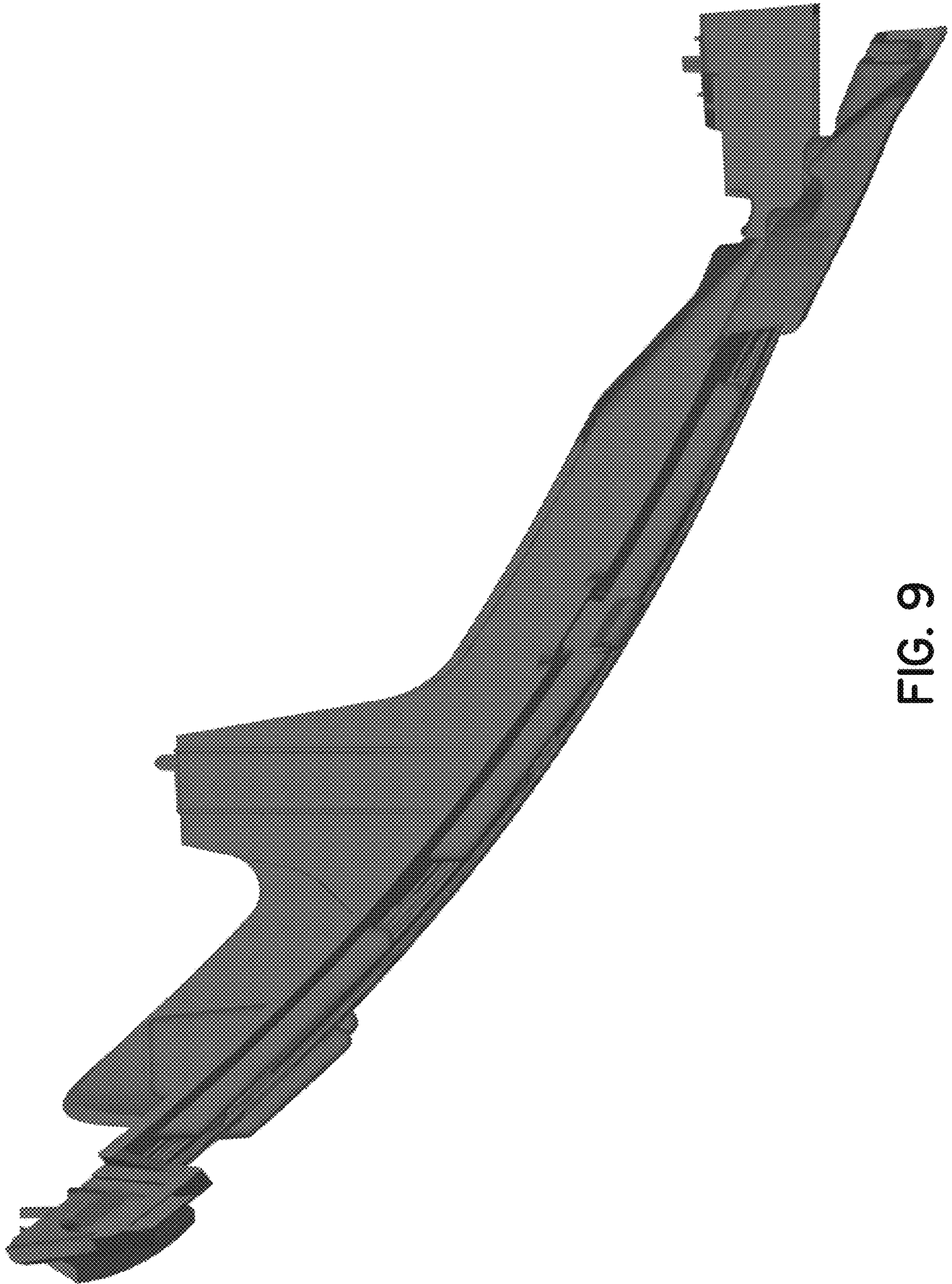


FIG. 9

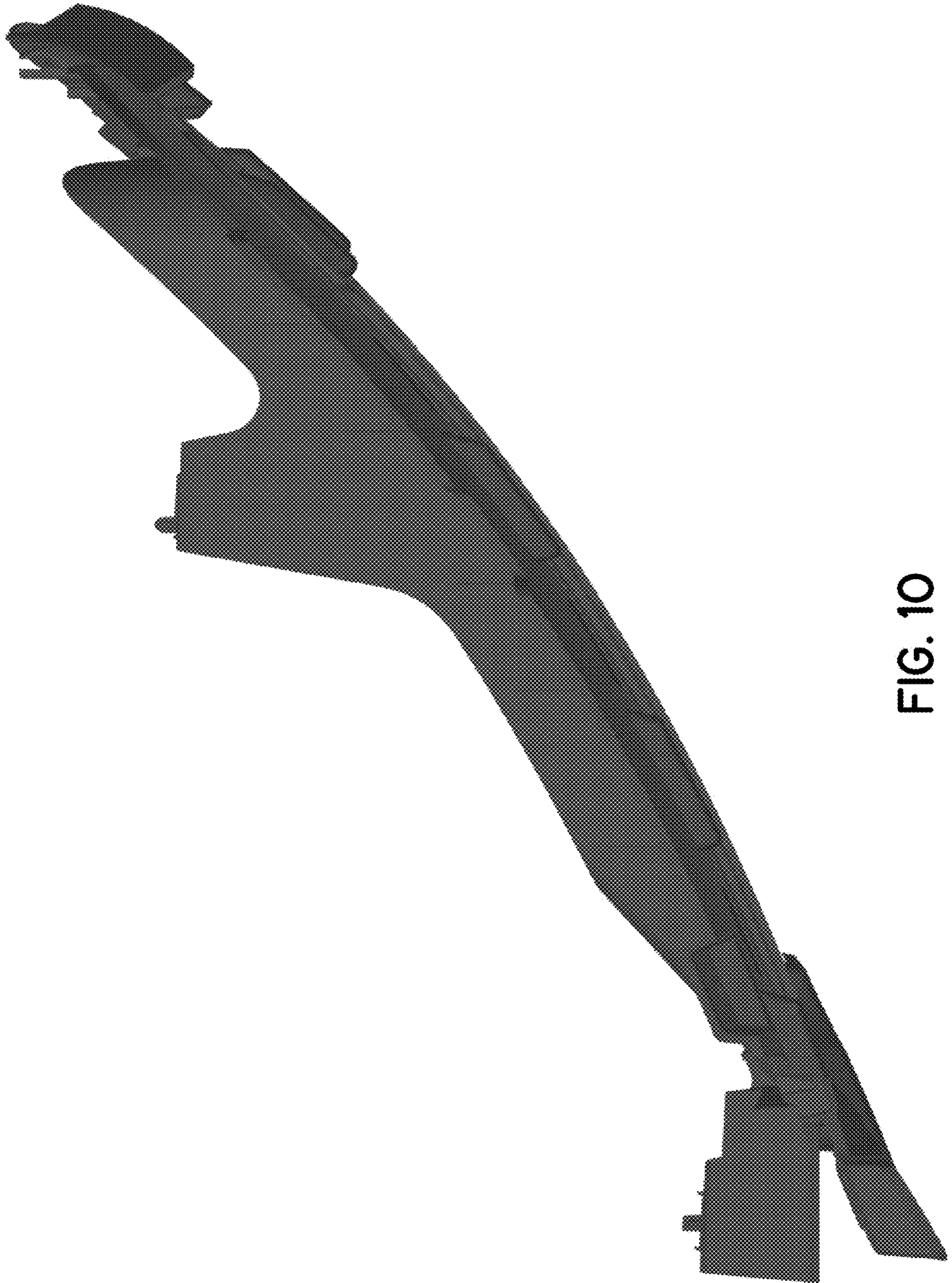


FIG. 10

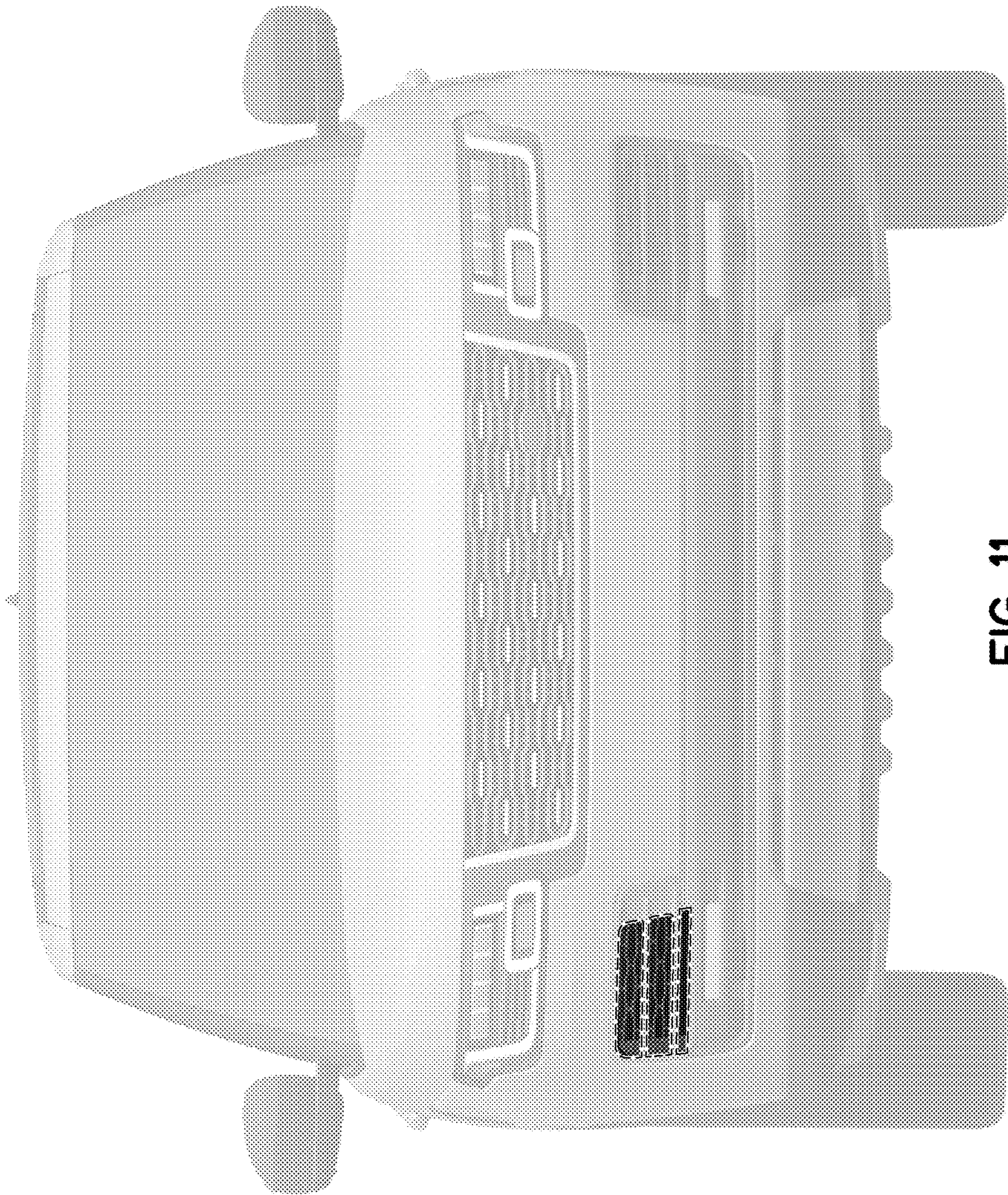


FIG. 11