



US00D879672S

(12) **United States Design Patent** (10) **Patent No.:** **US D879,672 S**
Bucher et al. (45) **Date of Patent:** **** Mar. 31, 2020**

(54) **VEHICLE FRONT LOWER GRILLE**

(71) Applicant: **Ford Global Technologies, LLC**,
Dearborn, MI (US)

(72) Inventors: **George Bucher**, Dearborn, MI (US);
Craig S. Metros, Bloomfield, MI (US);
Dean Carbis, Bloomfield Hills, MI
(US); **Steven Gilmore**, Farmington
Hills, MI (US); **Shawn Sung Yu**,
Canton, MI (US)

(73) Assignee: **Ford Global Technologies, LLC**,
Dearborn, MI (US)

(**) Term: **15 Years**

(21) Appl. No.: **29/632,015**

(22) Filed: **Jan. 4, 2018**

(51) **LOC (12) Cl.** **12-16**

(52) **U.S. Cl.**
USPC **D12/163**

(58) **Field of Classification Search**
USPC D12/169, 196, 86, 90-92, 163, 190, 98,
D12/164; 293/102, 113, 115, 117, 120,
293/193.11; 296/180.1, 180.2; 180/68.1,
180/68.6

CPC B60R 19/52; B60K 11/08; B62D 25/08;
B62B 9/16

See application file for complete search history.

(56) **References Cited**

U.S. PATENT DOCUMENTS

D473,500 S * 4/2003 Okumoto D12/169
D502,675 S * 3/2005 Ichinose D12/169
D504,366 S * 4/2005 Ishibashi D12/169
D533,819 S * 12/2006 Hogios D12/169
D561,072 S * 2/2008 Golden D12/169

D561,654 S * 2/2008 Platto D12/163
D578,443 S * 10/2008 Schiavone D12/163
D584,196 S * 1/2009 Ebel D12/163
D584,197 S * 1/2009 Song D12/163
D593,460 S * 6/2009 Schiavone D12/163
D680,921 S * 4/2013 Jara D12/163
D681,514 S * 5/2013 Platto D12/163
D683,667 S * 6/2013 Platto D12/163
D685,690 S * 7/2013 Svensson D12/163
D712,319 S * 9/2014 Mays D12/163
D740,184 S * 10/2015 Blanski D12/163
D758,927 S * 6/2016 Messale D12/163
D771,533 S * 11/2016 Kapitonov D12/169
D771,534 S * 11/2016 Bucher D12/169
D780,646 S * 3/2017 Wolff D12/163
D786,743 S * 5/2017 Smith D12/163
D788,656 S * 6/2017 Svensson D12/163
D789,840 S * 6/2017 Curic D12/163
D791,653 S * 7/2017 Svensson D12/163
D815,570 S * 4/2018 McMahan D12/163
D819,512 S * 6/2018 Behmer D12/163

(Continued)

Primary Examiner — Melody N Brown

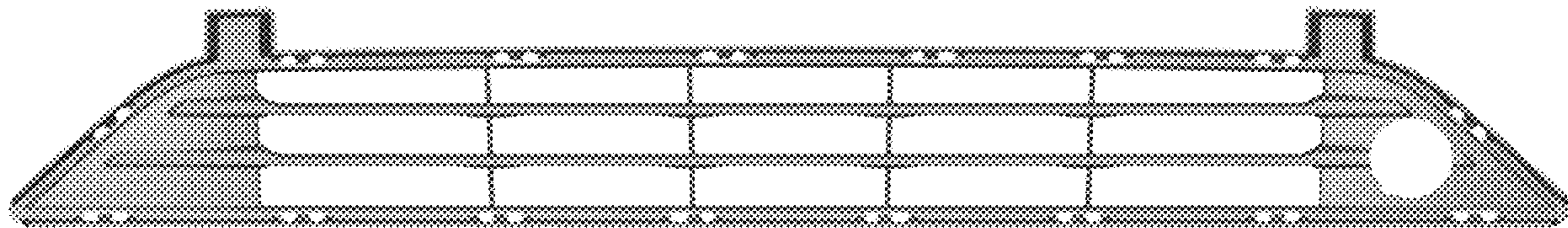
(57) **CLAIM**

The ornamental design for a vehicle front lower grille, as shown and described.

DESCRIPTION

FIG. 1 is a front elevational view of a vehicle front lower grille, showing our new design;
FIG. 2 is a rear elevational view thereof;
FIG. 3 is a left side elevational view thereof;
FIG. 4 is a right side elevational view thereof;
FIG. 5 is a top plan view thereof;
FIG. 6 is a bottom plan view thereof;
FIG. 7 is a top, front, and left side perspective view thereof;
FIG. 8 is a bottom, front, and left side perspective view thereof; and,
FIG. 9 is a top, rear and left side perspective view thereof.

1 Claim, 9 Drawing Sheets



(56)

References Cited

U.S. PATENT DOCUMENTS

D827,513	S	*	9/2018	Gueler	D12/163
D832,146	S	*	10/2018	Metros	D12/91
D835,002	S	*	12/2018	Metros	D12/91
D837,700	S	*	1/2019	Gueler	D12/163
D841,528	S	*	2/2019	Razaghi	D12/163

* cited by examiner

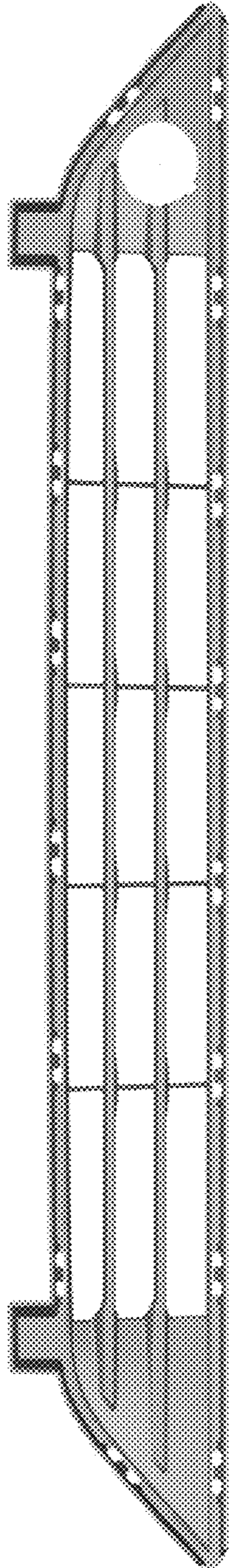


Fig. 1

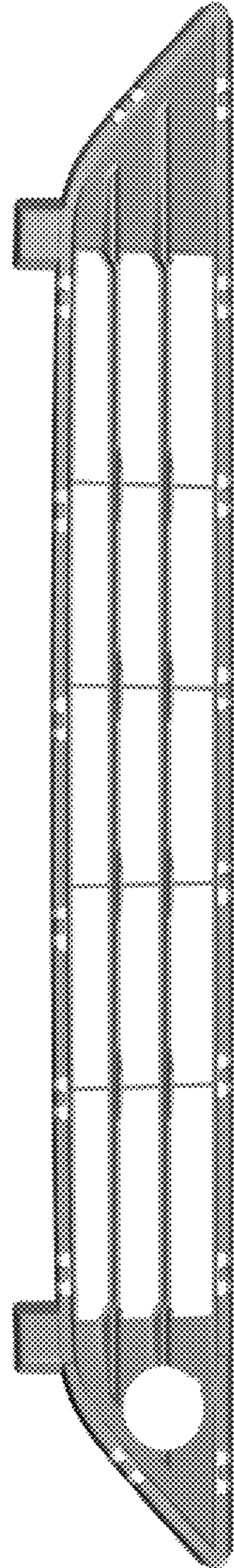


Fig. 2

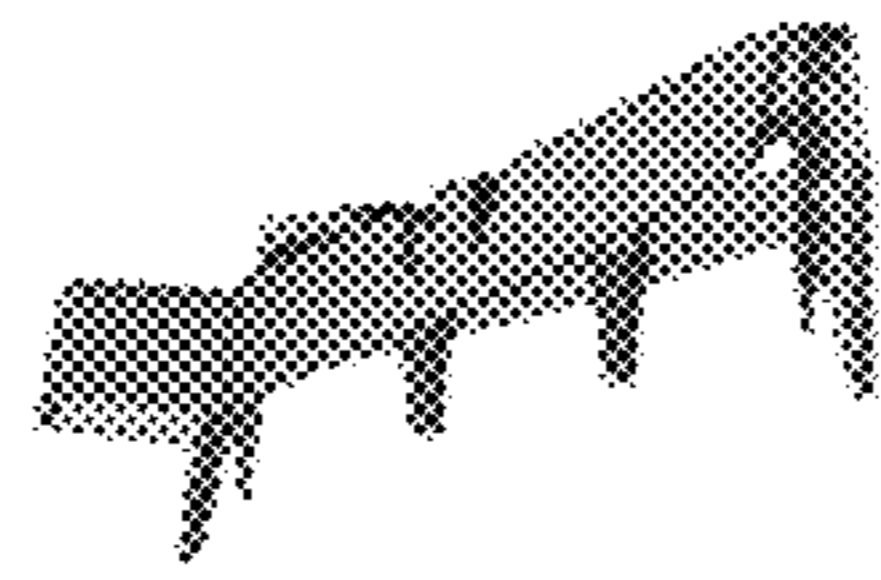


Fig. 3

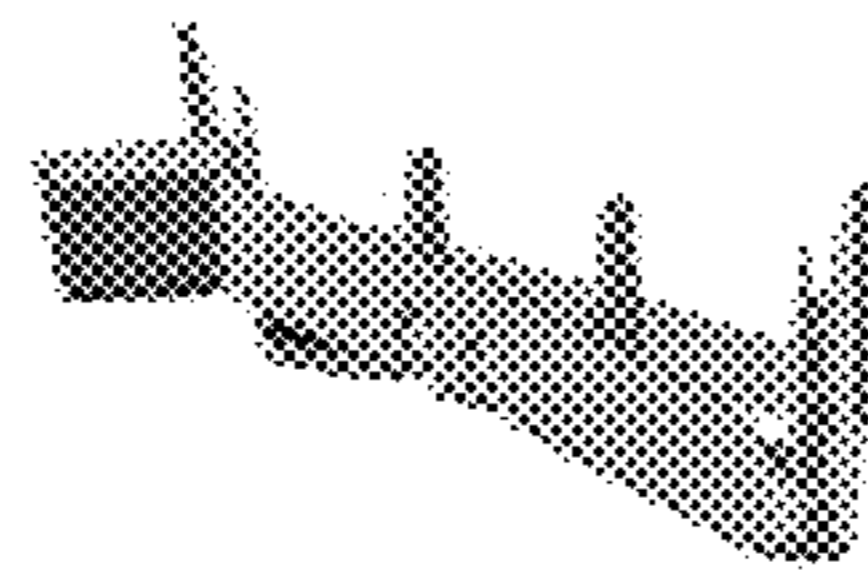


Fig. 4

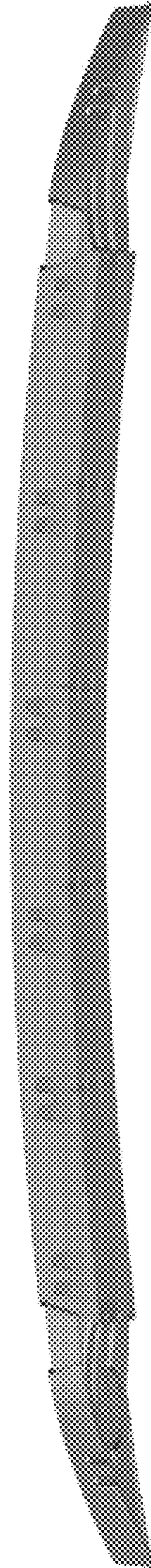


Fig. 5

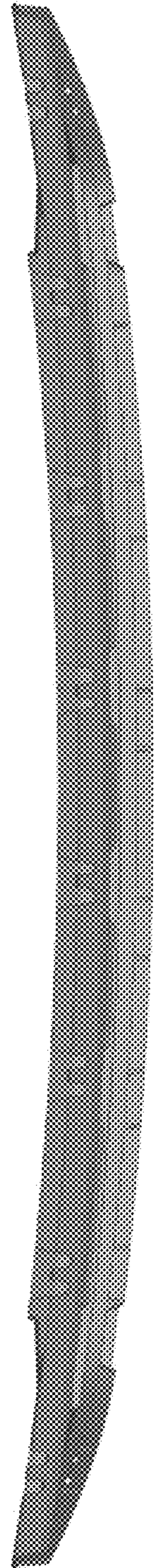
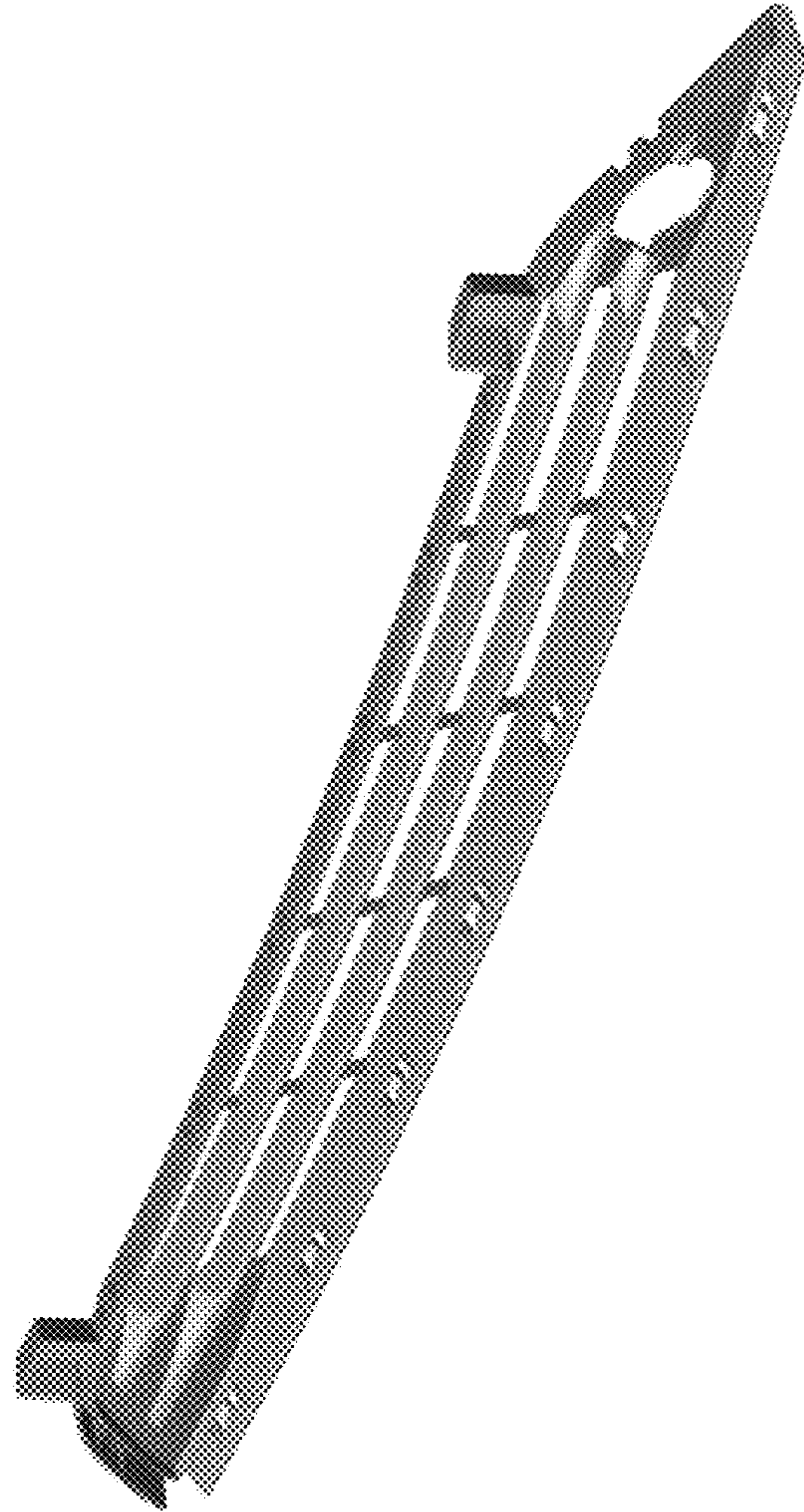


Fig. 6

Fig. 7



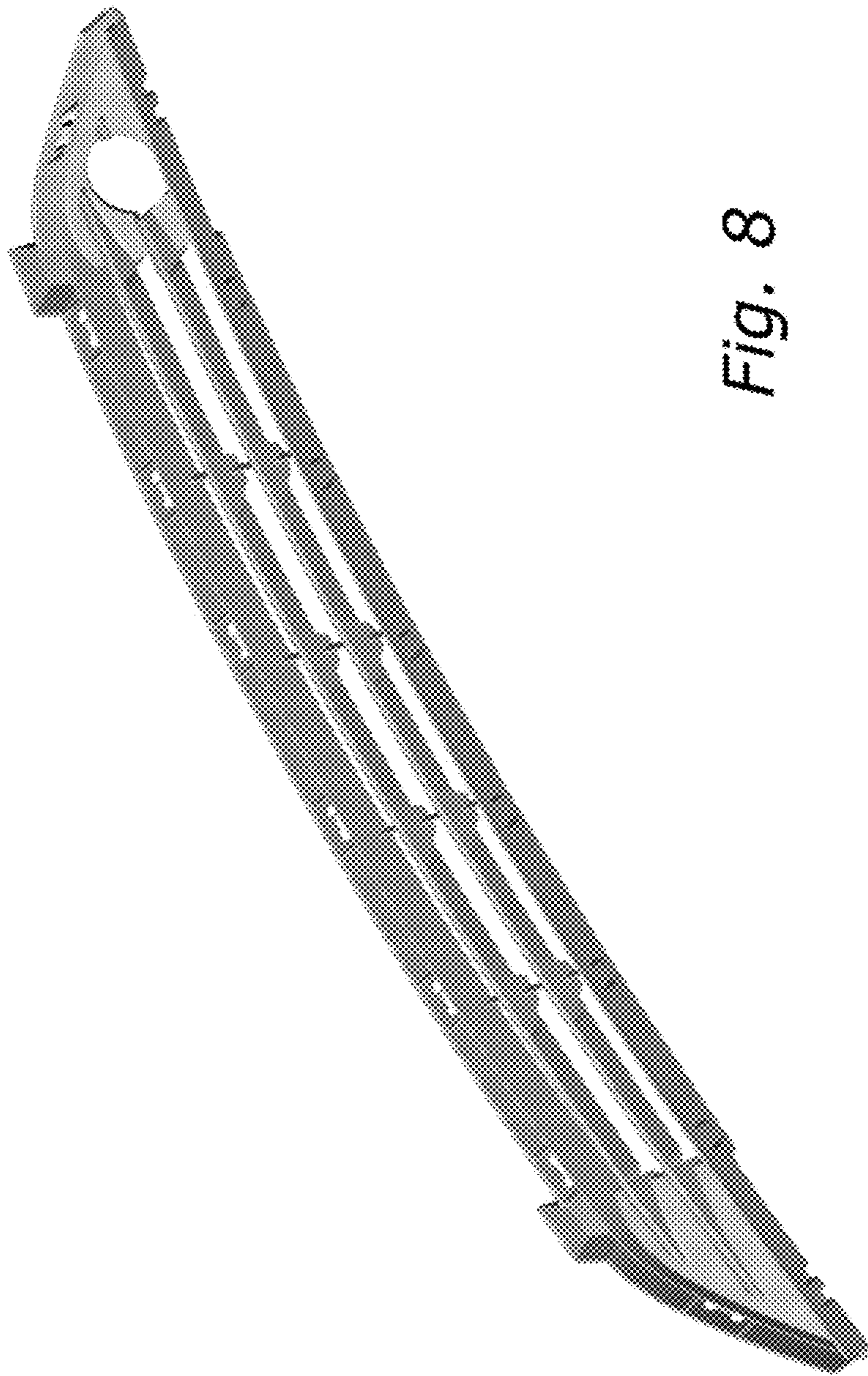


Fig. 8

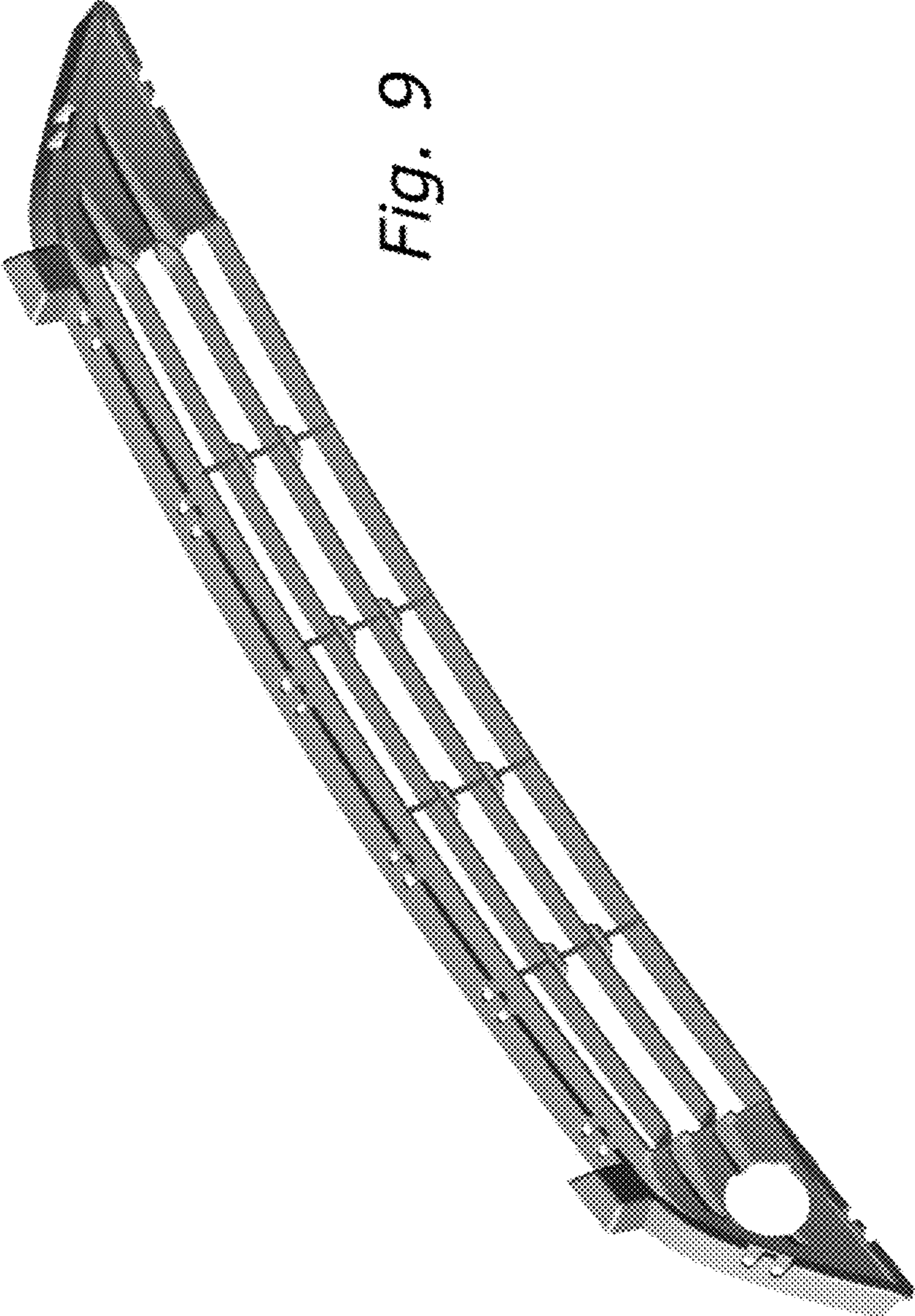


Fig. 9