

US00D879671S

(12) **United States Design Patent**
Siegel

(10) **Patent No.:** **US D879,671 S**
(45) **Date of Patent:** **** Mar. 31, 2020**

- (54) **HITCH BALL** 6,343,808 B1 * 2/2002 Luh B60D 1/06
280/511
- (71) Applicant: **HORIZON GLOBAL AMERICAS** 6,783,144 B2 * 8/2004 McCoy B60D 1/06
INC., Plymouth, MI (US) 280/511
- (72) Inventor: **Theodore J. Siegel, Mayfield Heights,** D526,939 S * 8/2006 Profitt D12/162
OH (US) D607,381 S * 1/2010 Lekkas D12/162
7,661,694 B2 * 2/2010 Krespach B60D 1/52
280/511
- (73) Assignee: **HORIZON GLOBAL AMERICAS** 8,313,119 B2 11/2012 Frantz
INC., Plymouth, MI (US) 8,366,136 B2 2/2013 Svihla
8,444,167 B1 * 5/2013 Dardari B60D 1/60
280/507
- (**) Term: **15 Years** 2001/0030410 A1 10/2001 McCoige
2001/0045725 A1 * 11/2001 McCoy B60D 1/06
280/511
- (21) Appl. No.: **29/676,713** (Continued)
- (22) Filed: **Jan. 14, 2019**

Related U.S. Application Data

- (62) Division of application No. 29/614,536, filed on Aug. 21, 2017, now abandoned.
- (51) **LOC (12) Cl.** **12-16**
- (52) **U.S. Cl.**
USPC **D12/162**
- (58) **Field of Classification Search**
USPC D12/159, 160, 161, 162, 203, 223, 400
CPC B60D 1/06; B60D 1/07; B60D 1/52
See application file for complete search history.

References Cited

U.S. PATENT DOCUMENTS

- 4,060,331 A * 11/1977 Domer B60D 1/06
403/130
- 5,085,452 A * 2/1992 Janeiro B60D 1/07
280/416.1
- D375,065 S * 10/1996 Duvernay D12/162
- 5,884,931 A * 3/1999 McCoy B60D 1/06
280/511
- D415,986 S * 11/1999 Stech D12/162
- 6,116,633 A 9/2000 Pride
- D436,065 S * 1/2001 Peng D12/162
- 6,203,050 B1 * 3/2001 Stech B60D 1/06
280/507

OTHER PUBLICATIONS

www.sumitracing.com. "B&M Button Shifter Knobs 46112" First reviewed Sep. 2, 2014. Retrieved Oct. 3, 2018. <https://www.sumitracing.com/parts/bmm-46112/reviews/>.

Primary Examiner — Susan E Krakower
Assistant Examiner — Jerry Shiuan-Hua Hsu
(74) *Attorney, Agent, or Firm* — McDonald Hopkins LLC

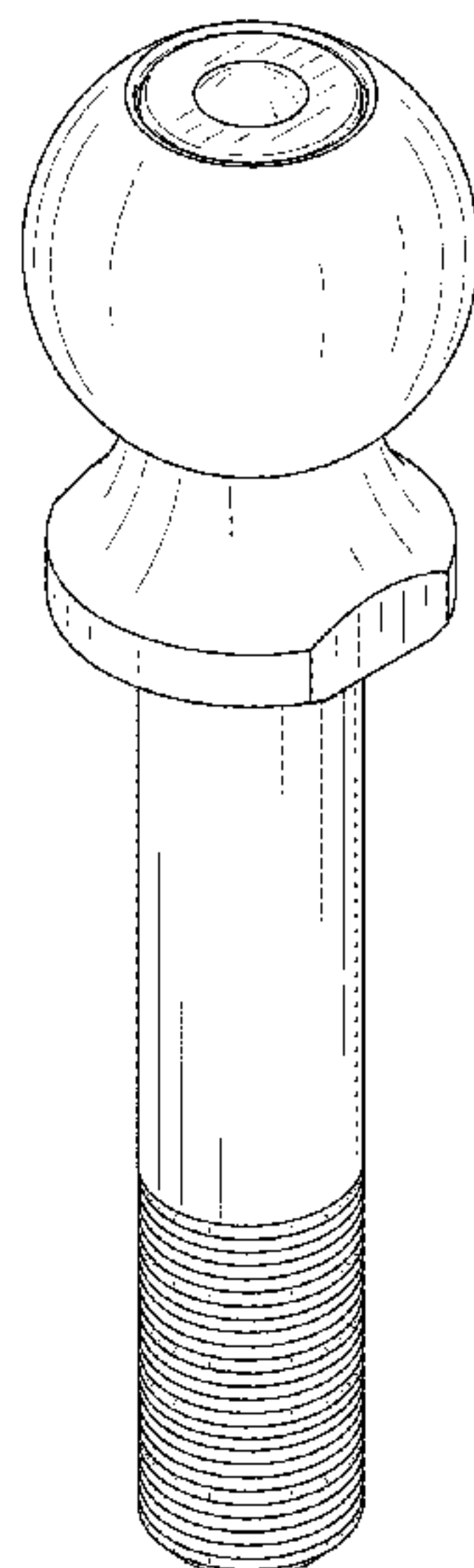
(57) **CLAIM**

The ornamental design for a hitch ball, as shown and described.

DESCRIPTION

FIG. 1 is a top front left perspective view of a hitch ball showing my new design;
FIG. 2 is a left view of FIG. 1 thereof;
FIG. 3 is a right view of FIG. 1 thereof;
FIG. 4 is a front side view of FIG. 1 thereof;
FIG. 5 is a rear side view of FIG. 1 thereof;
FIG. 6 is a top view of FIG. 1 thereof; and,
FIG. 7 is a bottom view of FIG. 1 thereof.

1 Claim, 3 Drawing Sheets



(56)

References Cited

U.S. PATENT DOCUMENTS

2003/0020256 A1* 1/2003 Irgens B60D 1/06
280/511
2005/0040623 A1 2/2005 Krespach
2005/0104327 A1 5/2005 Irgens

* cited by examiner

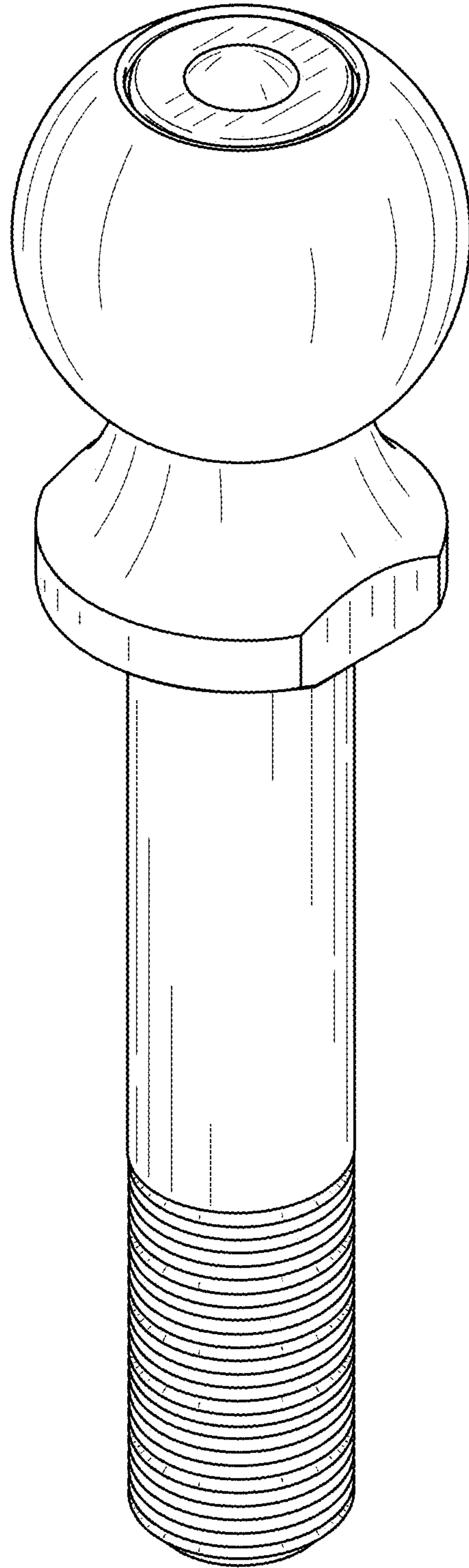


FIG. 1

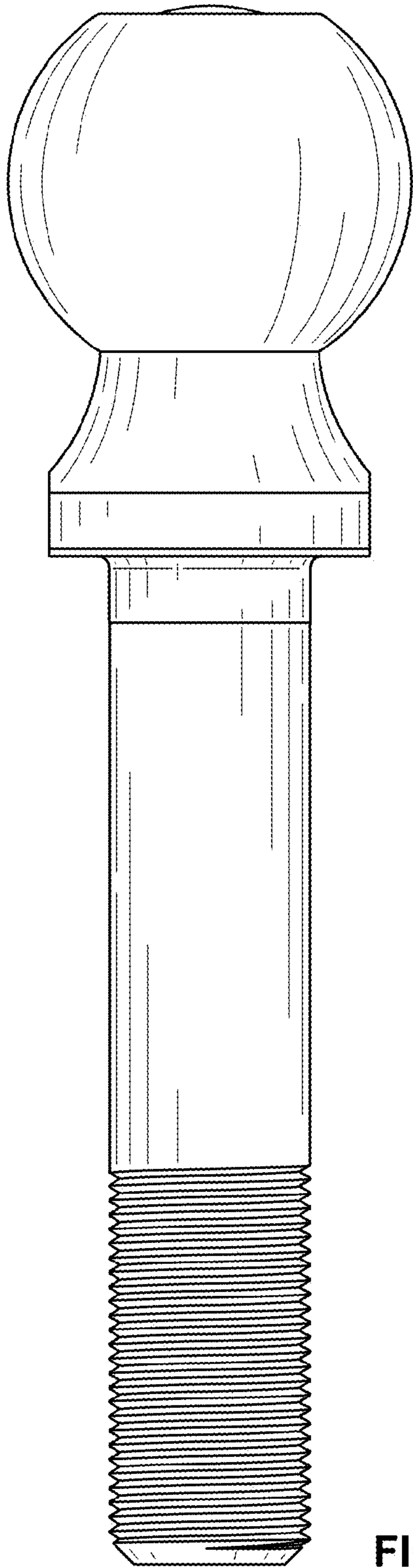


FIG. 2

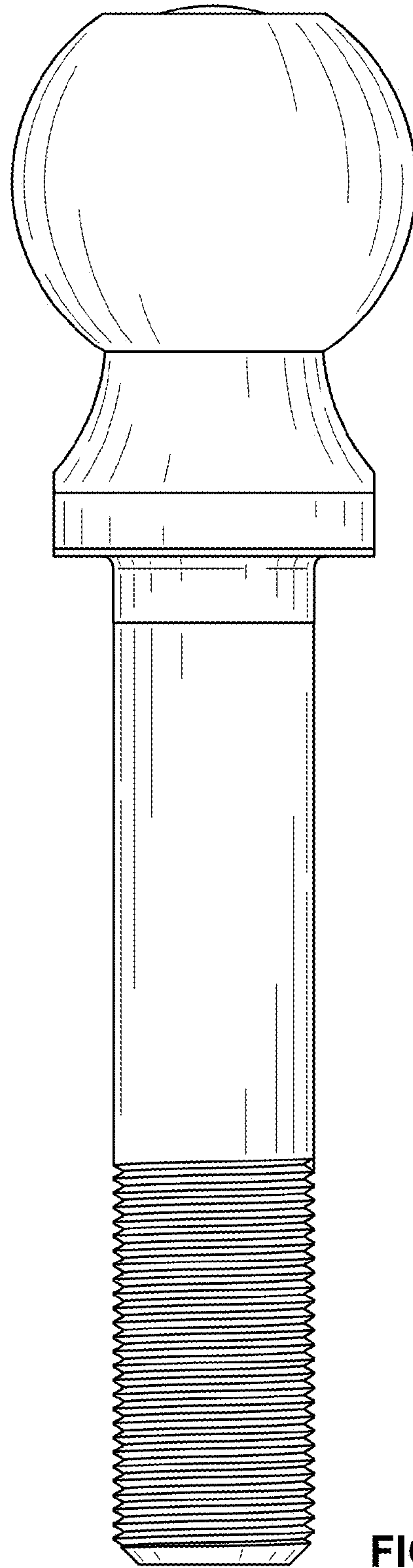


FIG. 3

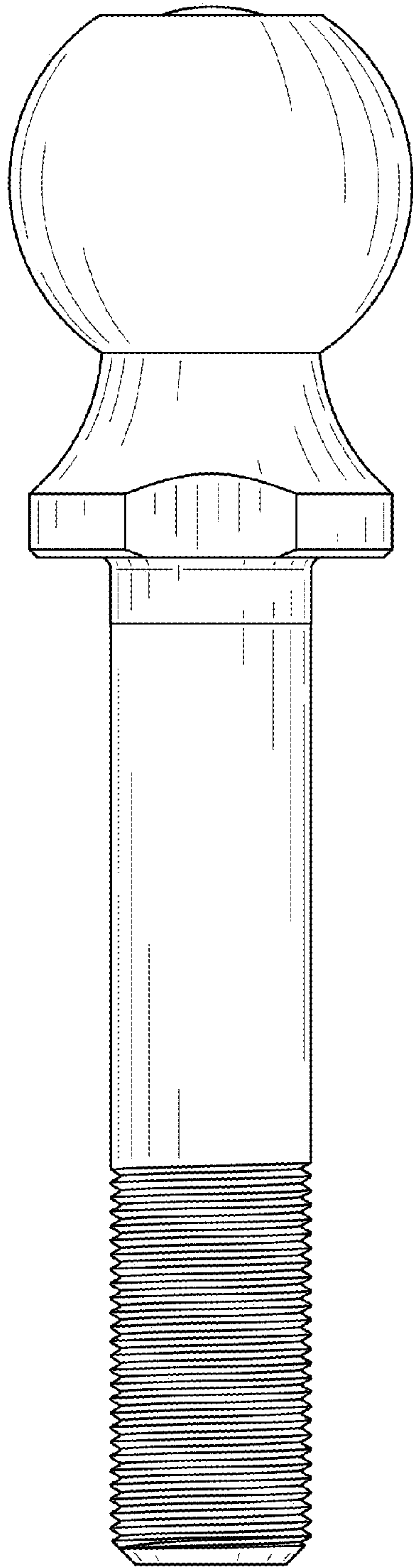


FIG. 4

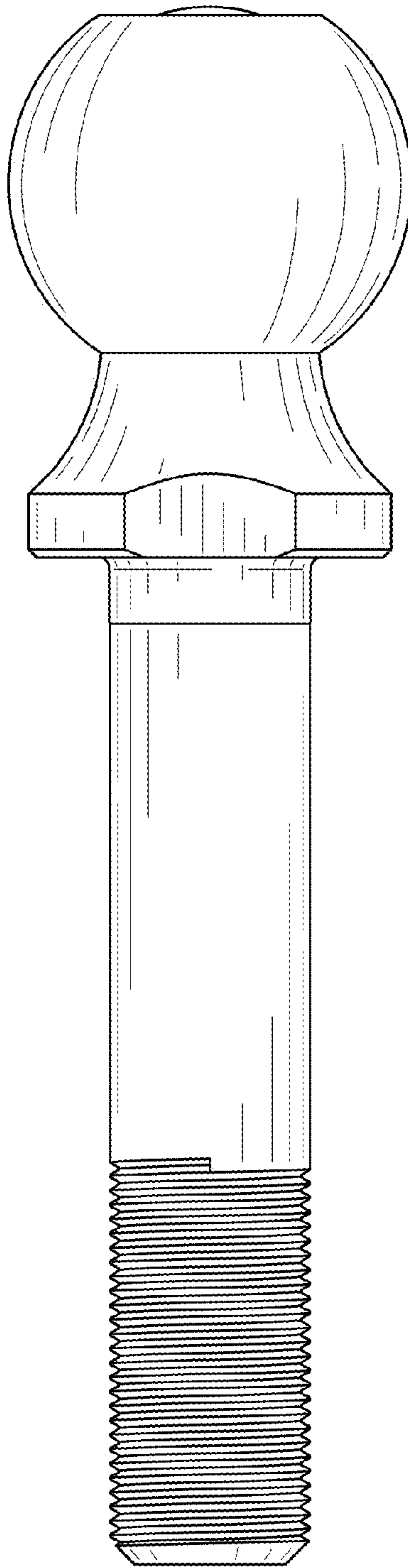


FIG. 5

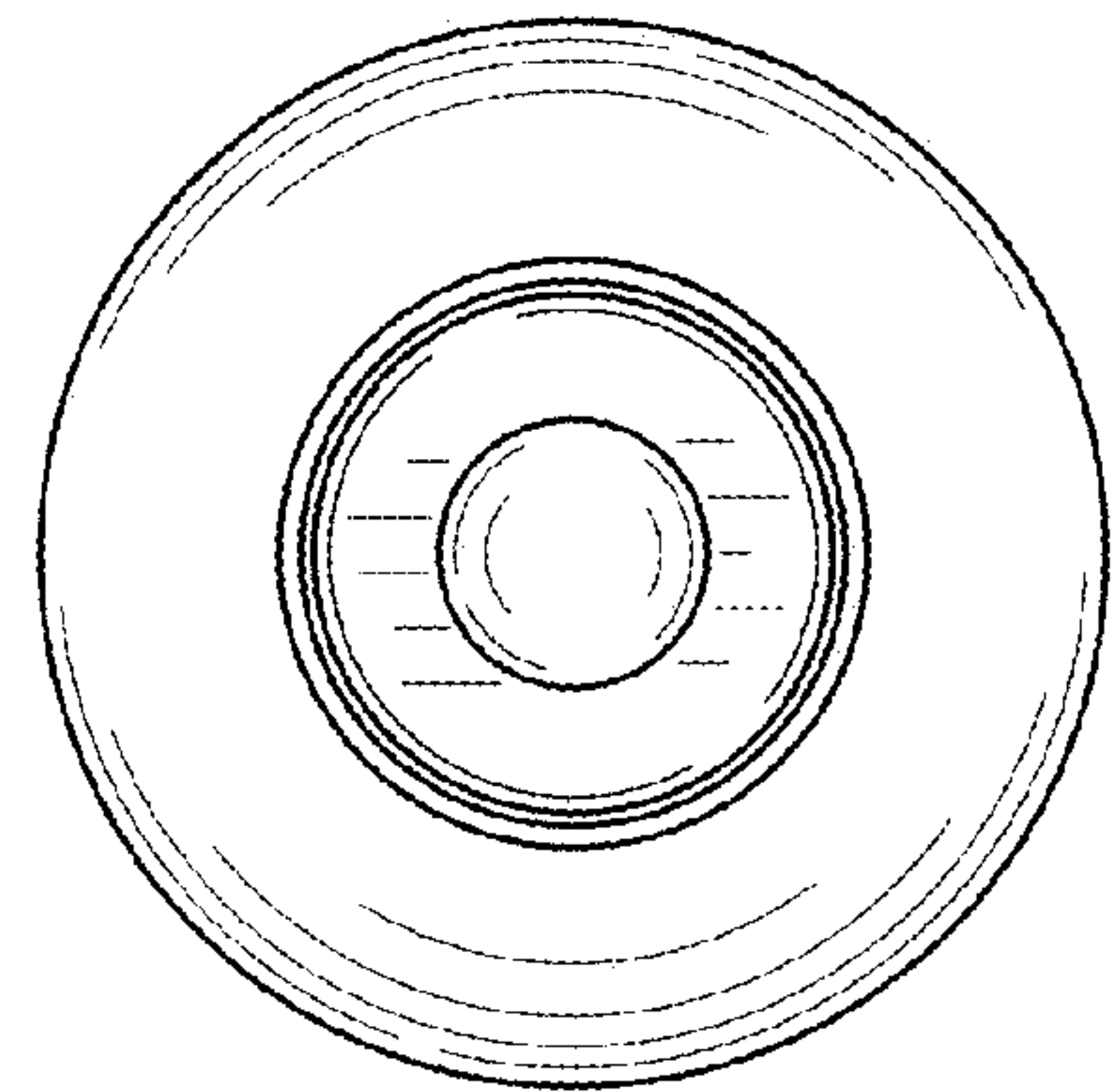


FIG. 6

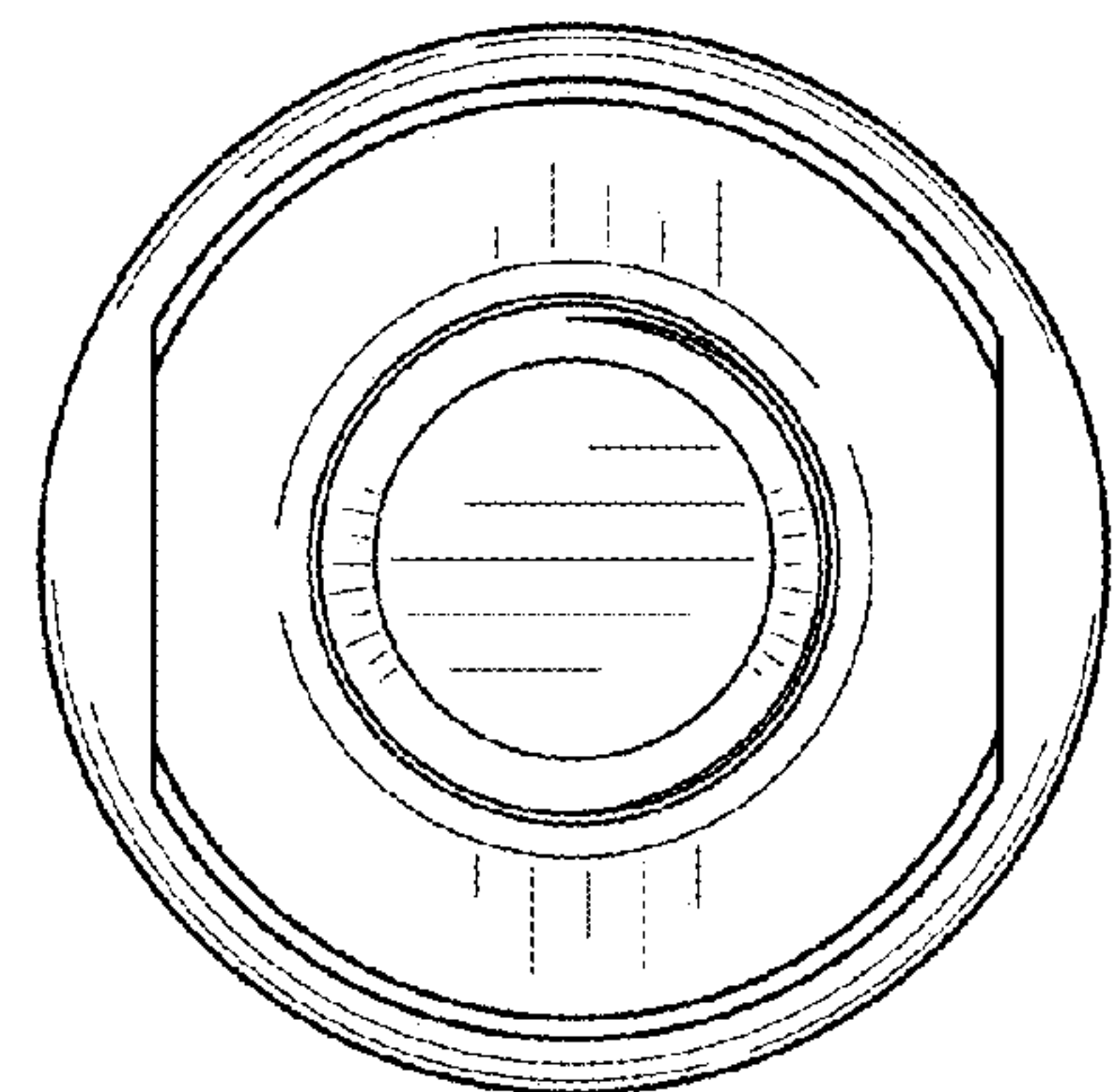


FIG. 7