



US00D879670S

(12) **United States Design Patent**
Borkholder

(10) **Patent No.:** **US D879,670 S**

(45) **Date of Patent:** **** Mar. 31, 2020**

(54) **FIFTH WHEEL TO GOOSENECK TORSION
SUSPENSION COUPLER**

2015/0217608 A1* 8/2015 Rabska B60D 1/065
280/441.2
2019/0031255 A1* 1/2019 Borkholder B62D 53/061

* cited by examiner

(71) Applicant: **Carl J. Borkholder**, Bremen, IN (US)

Primary Examiner — Kevin K Rudzinski

(72) Inventor: **Carl J. Borkholder**, Bremen, IN (US)

(74) *Attorney, Agent, or Firm* — Botkin & Hall, LLP

(**) Term: **15 Years**

(57) **CLAIM**

The ornamental design for a fifth wheel to gooseneck torsion suspension coupler, as shown and described.

(21) Appl. No.: **29/629,011**

DESCRIPTION

(22) Filed: **Dec. 11, 2017**

(51) **LOC (12) Cl.** **12-16**

(52) **U.S. Cl.**
USPC **D12/162**

(58) **Field of Classification Search**
USPC D12/400, 162, 415, 218
CPC B60D 1/24; B60D 1/60
See application file for complete search history.

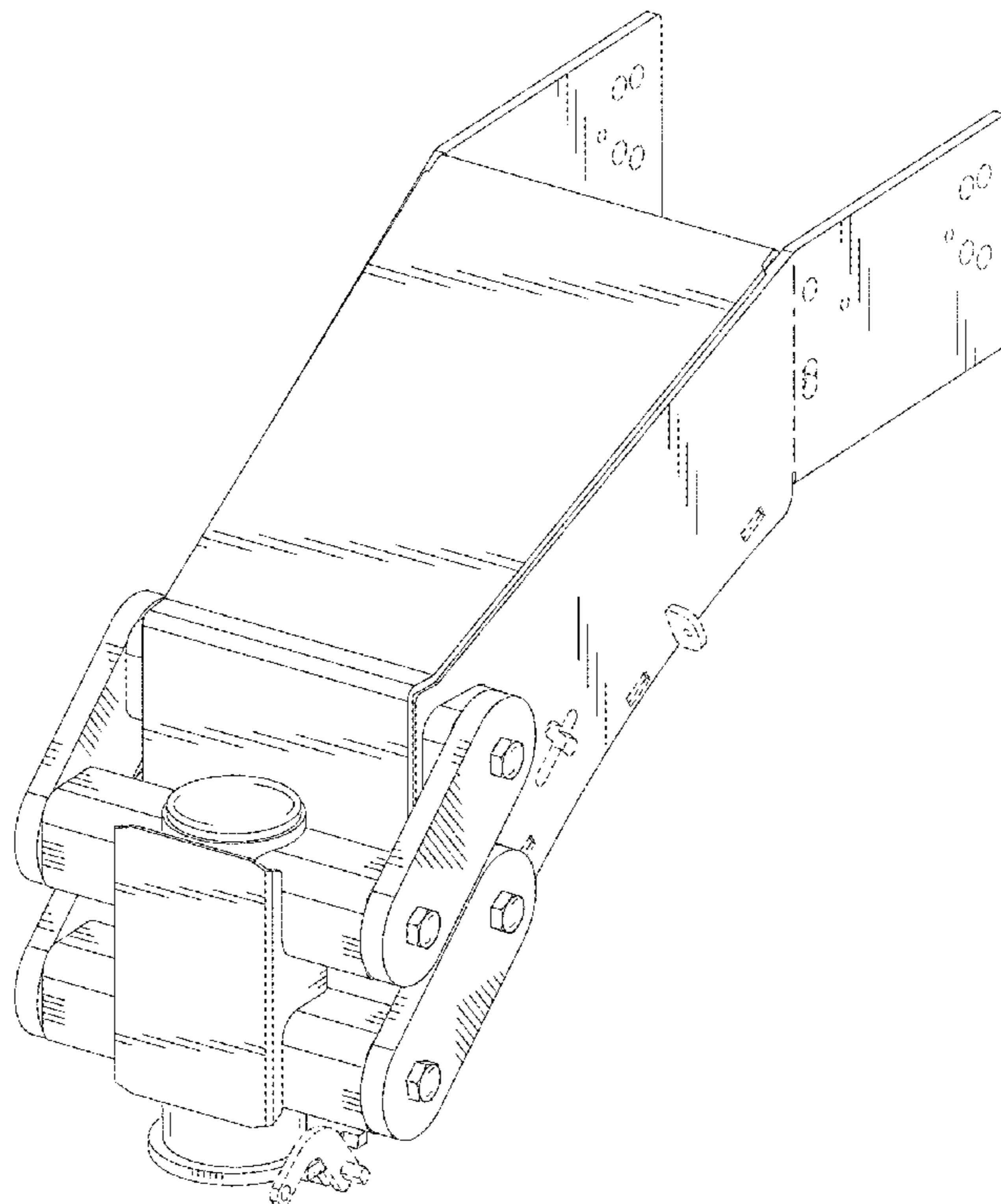
FIG. 1 is a front isometric view of the fifth wheel to gooseneck torsion suspension coupler;
FIG. 2 is a rear isometric view of the fifth wheel to gooseneck torsion suspension coupler of FIG. 1;
FIG. 3 is a bottom isometric view of the fifth wheel to gooseneck torsion suspension coupler of FIG. 1;
FIG. 4 is a right side view of the fifth wheel to gooseneck torsion suspension coupler of FIG. 1;
FIG. 5 is a left side view of the fifth wheel to gooseneck torsion suspension coupler of FIG. 1;
FIG. 6 is a front view of the fifth wheel to gooseneck torsion suspension coupler of FIG. 1;
FIG. 7 is a rear view of the fifth wheel to gooseneck torsion suspension coupler;
FIG. 8 is a top view of the fifth wheel to gooseneck torsion suspension coupler; and,
FIG. 9 is a bottom view of the fifth wheel to gooseneck torsion suspension coupler.
The broken lines depict portions of the fifth wheel to gooseneck torsion suspension coupler that form no part of the claimed design, and are for illustrative purposes only.

(56) **References Cited**

U.S. PATENT DOCUMENTS

- 9,573,430 B2* 2/2017 Elliott B60D 1/46
- 9,802,452 B1* 10/2017 McCall B60D 1/075
- 10,099,526 B2* 10/2018 Olson B60D 1/605
- D838,630 S* 1/2019 Borkholder D12/162
- D864,800 S* 10/2019 Borkholder D12/162
- 10,493,811 B2* 12/2019 Borkholder B60D 1/06
- 2003/0178811 A1* 9/2003 Buckner B60D 1/50
280/483
- 2013/0175786 A1* 7/2013 Curl B62D 53/0828
280/439

1 Claim, 8 Drawing Sheets



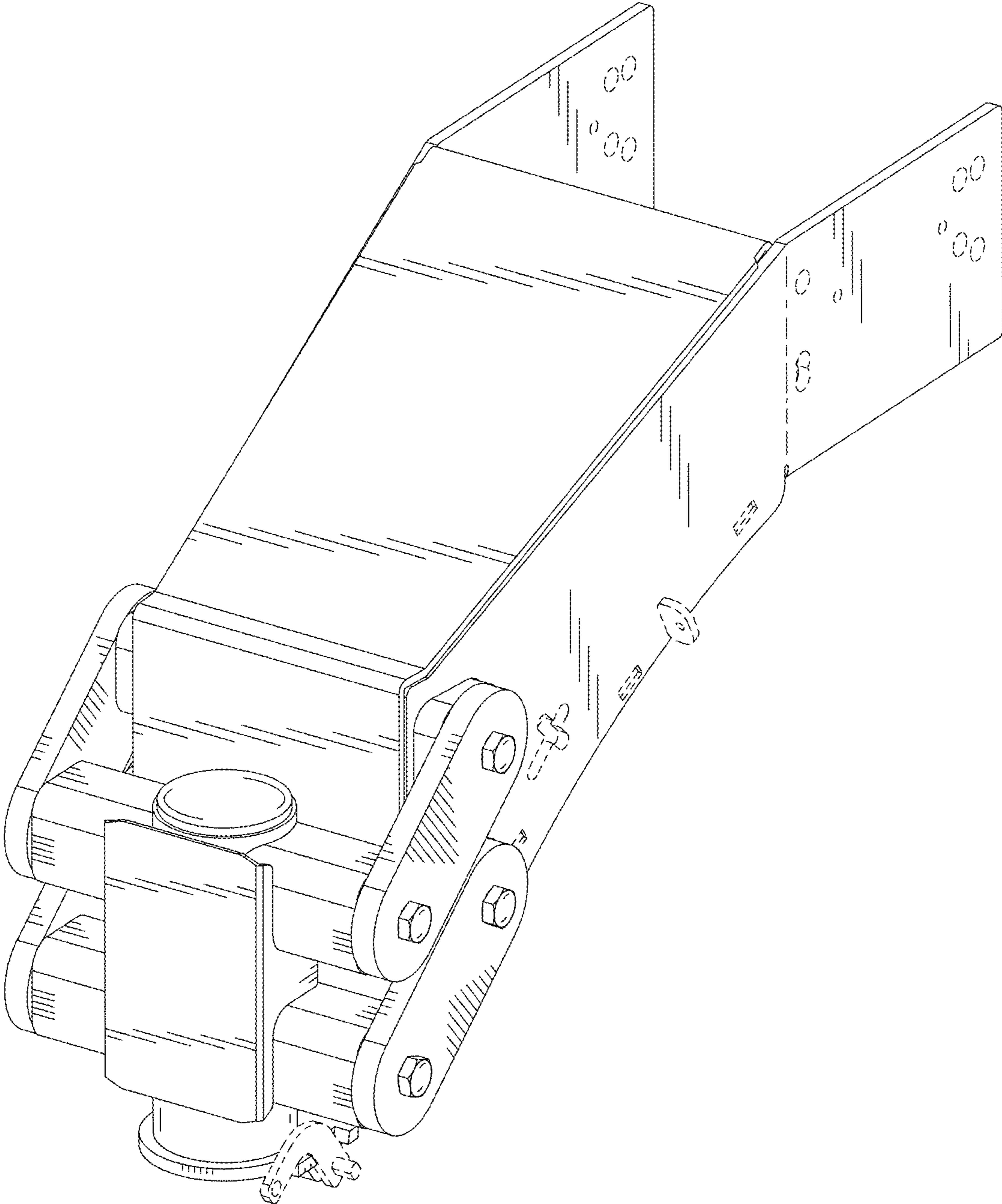


Fig. 1

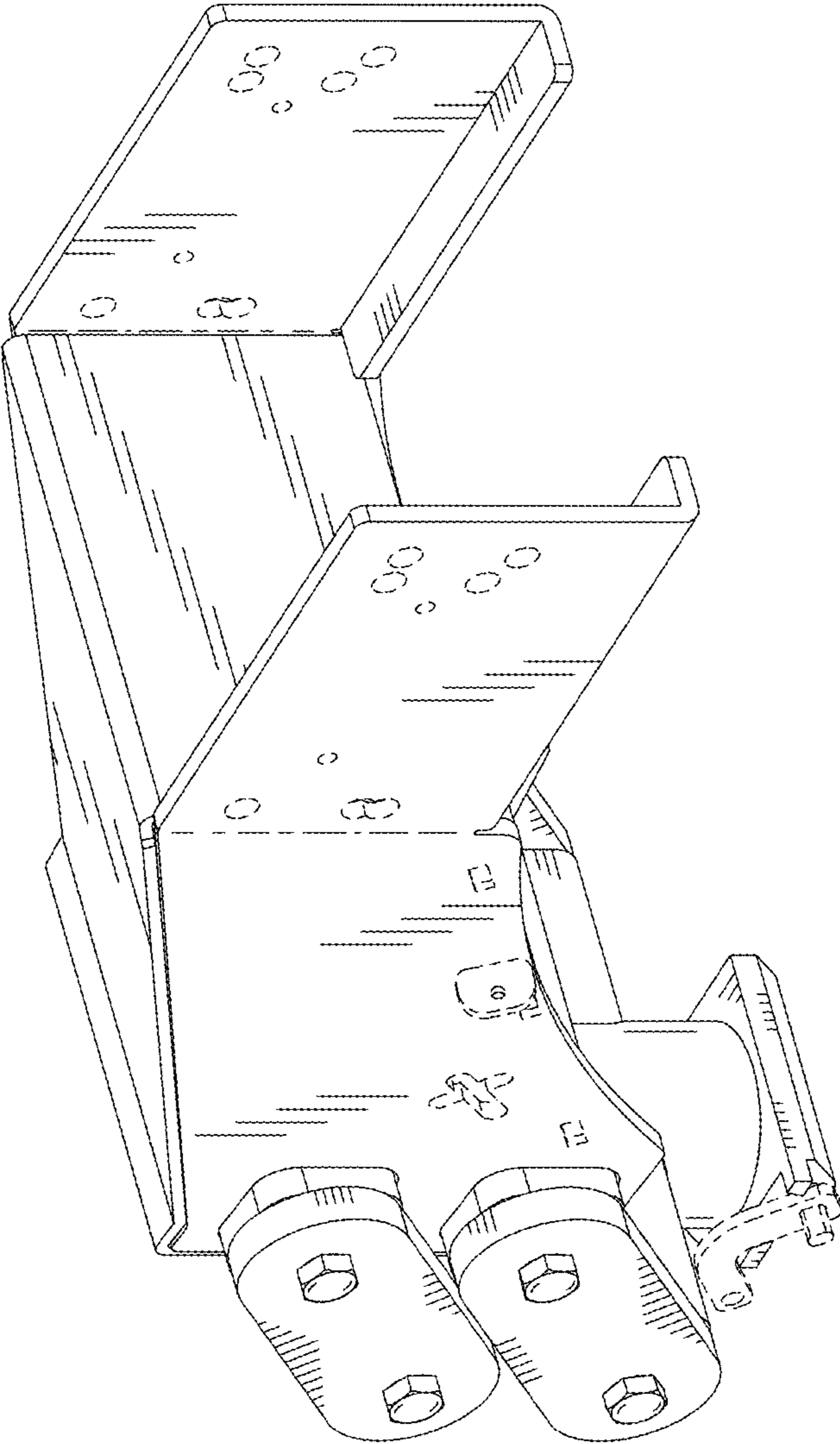


Fig. 2

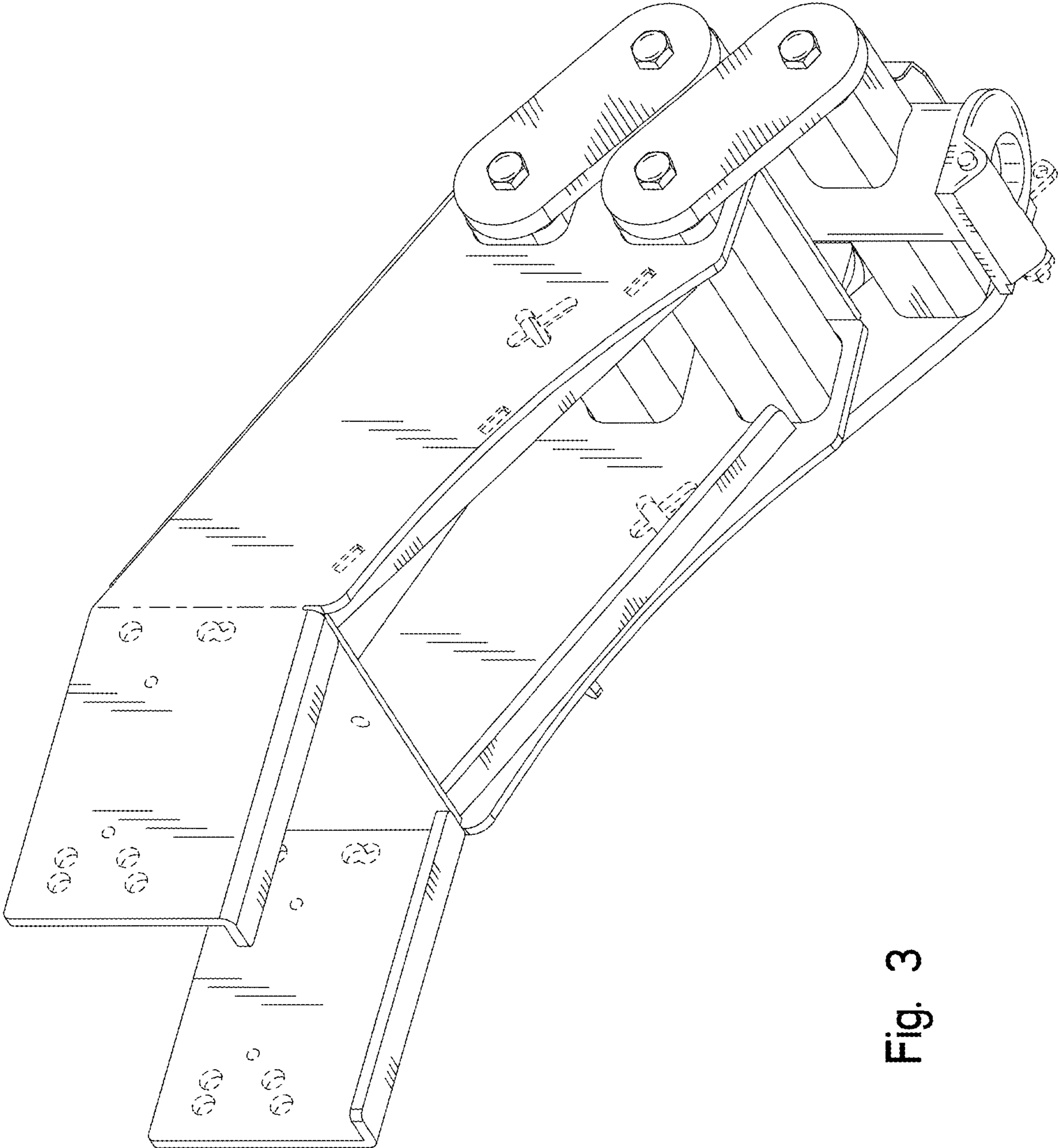


Fig. 3

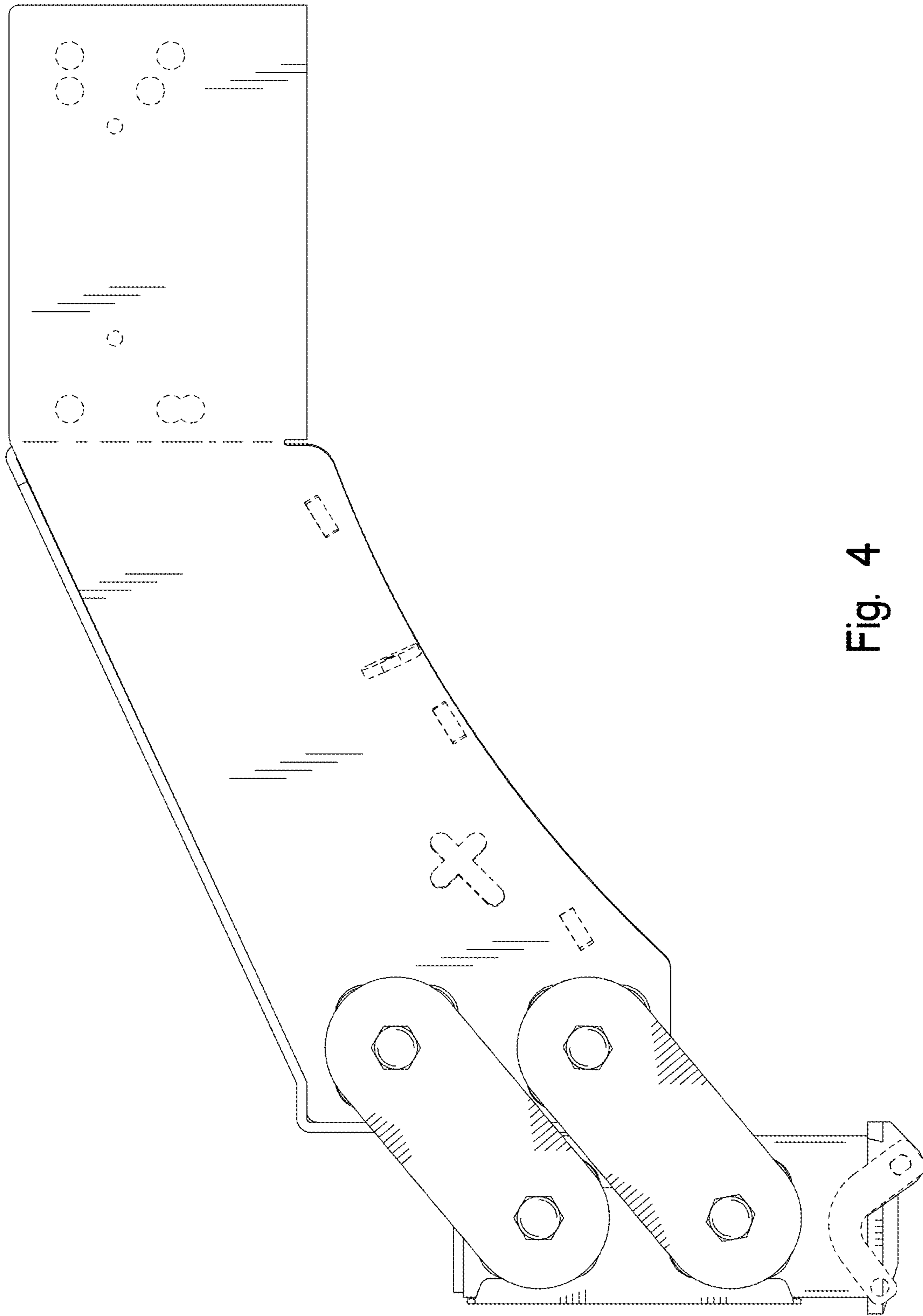


Fig. 4

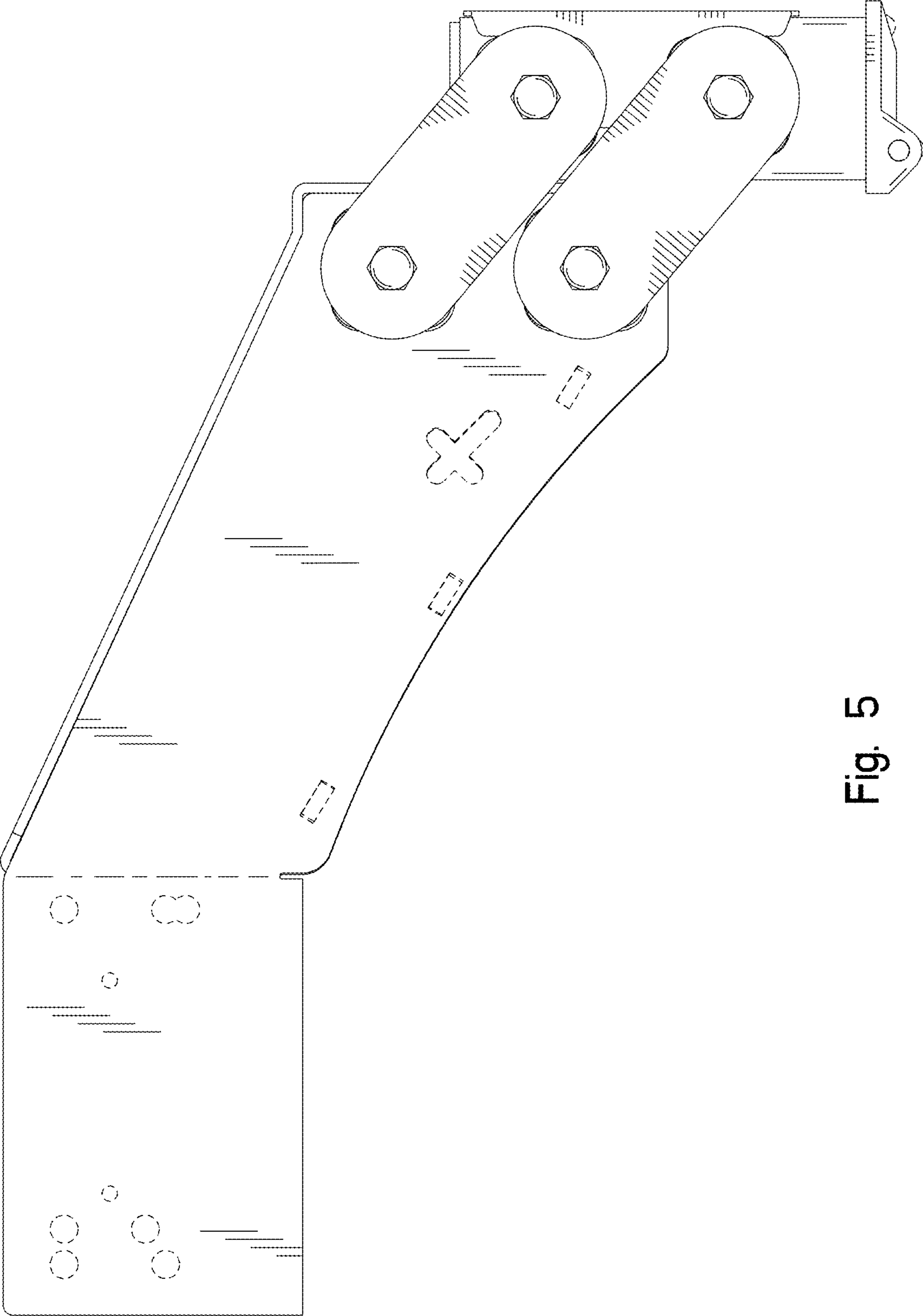


Fig. 5

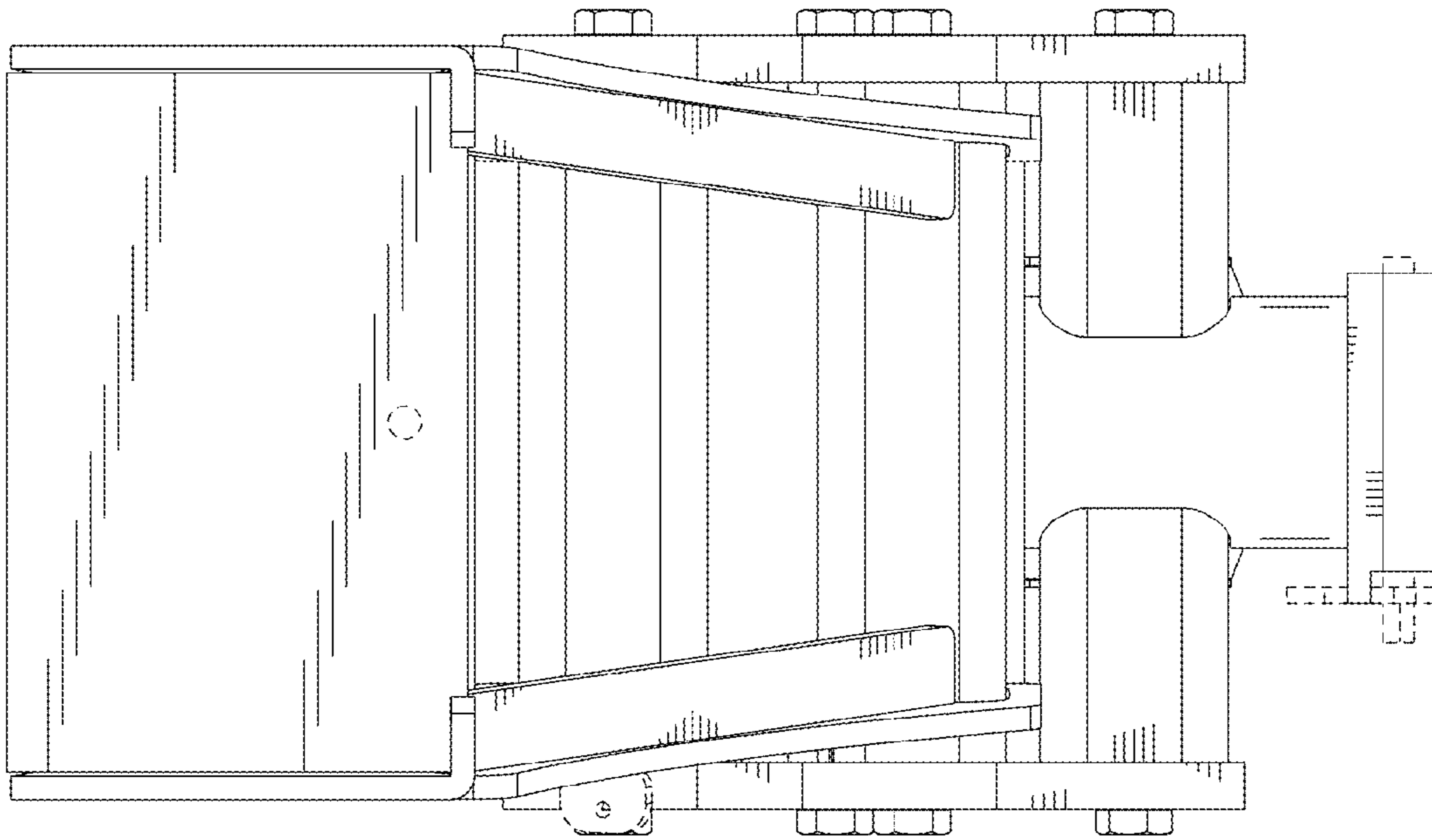


Fig. 7

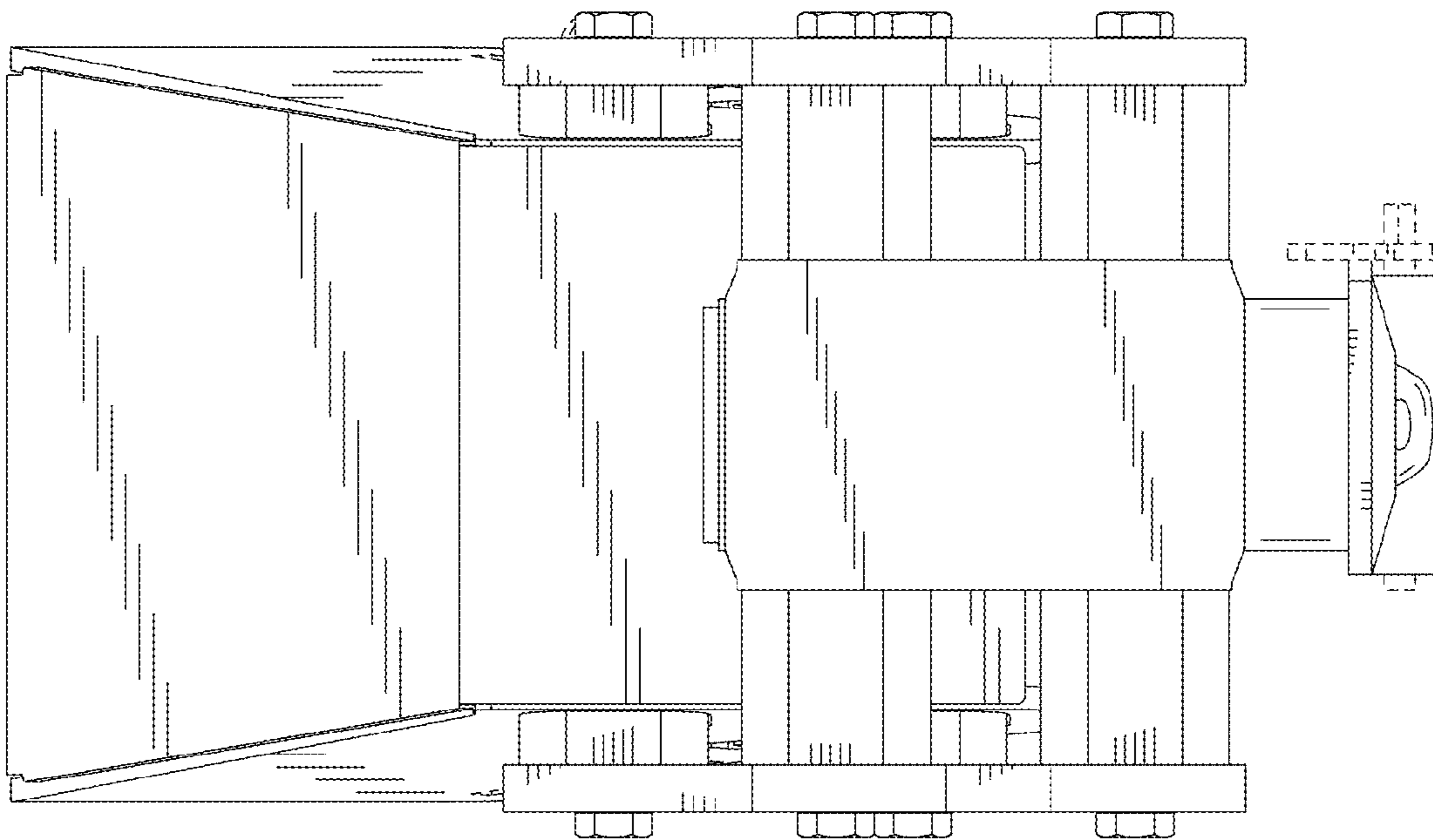


Fig. 6

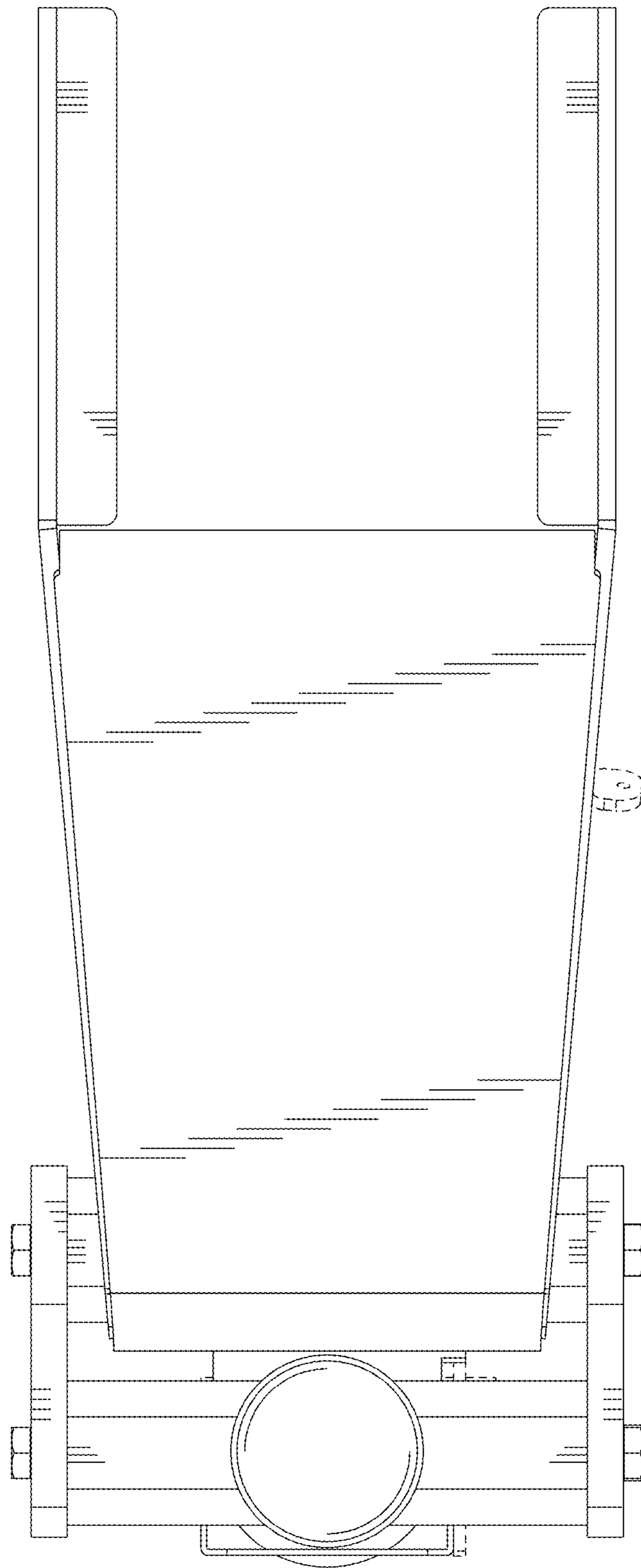


Fig. 8

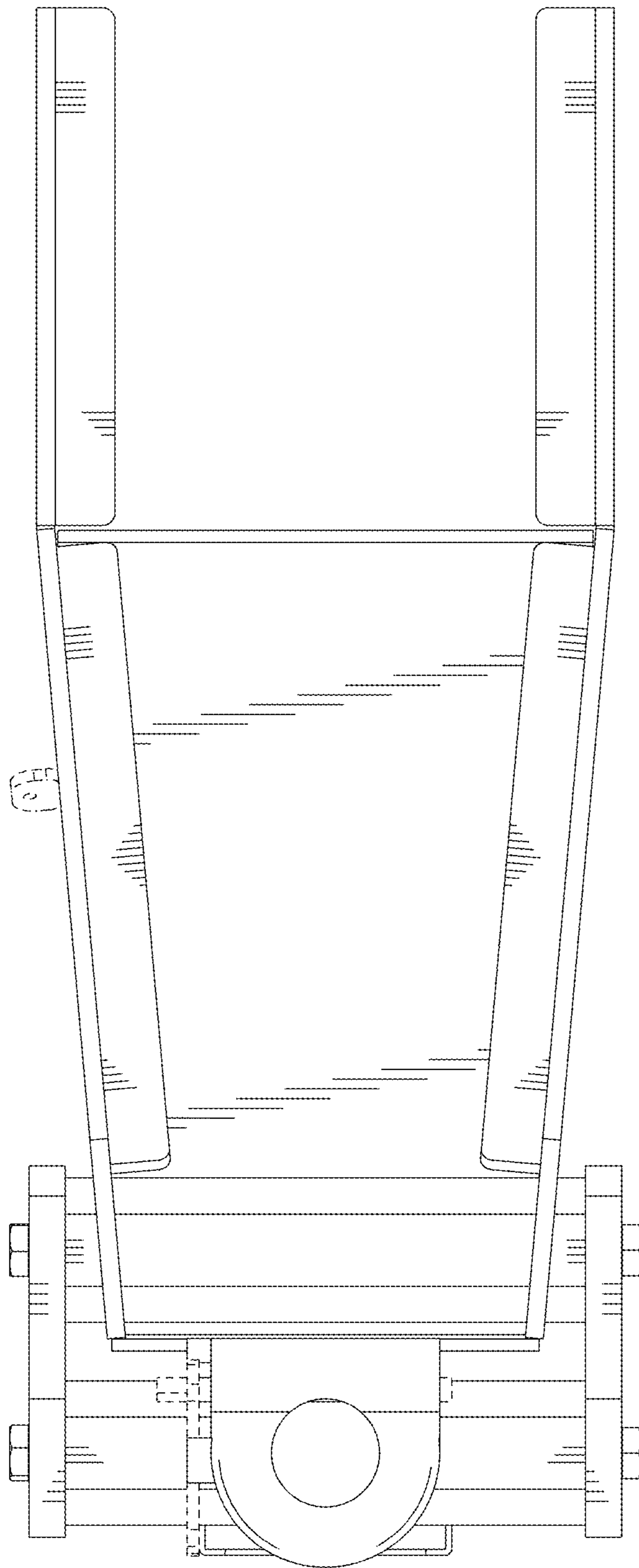


Fig. 9