



US00D879668S

(12) **United States Design Patent**  
**Wu**

(10) **Patent No.:** **US D879,668 S**

(45) **Date of Patent:** **\*\* Mar. 31, 2020**

(54) **ELECTRIC BICYCLE**

(71) Applicant: **Chongqing Yingang Technology (Group) Co., Ltd.**, Chongqing (CN)

(72) Inventor: **Yi Wu**, Chongqing (CN)

(73) Assignee: **CHONGQING YINGANG TECHNOLOGY (GROUP) CO., LTD.**, Chongqing (CN)

(\*\*) Term: **15 Years**

(21) Appl. No.: **29/657,397**

(22) Filed: **Jul. 20, 2018**

(30) **Foreign Application Priority Data**

Apr. 8, 2018 (CN) ..... 2018 3 0136700

(51) **LOC (12) Cl.** ..... **12-11**

(52) **U.S. Cl.**  
USPC ..... **D12/111**

(58) **Field of Classification Search**  
USPC ..... D12/111, 117, 406, 407  
CPC . B62K 3/00; B62K 3/005; B62K 9/00; B62K 19/00; B62K 19/02; B62K 19/04; B62K 19/06; B62K 19/16

See application file for complete search history.

(56) **References Cited**

**U.S. PATENT DOCUMENTS**

D102,397 S \* 12/1936 Roe et al. .... D12/111  
D115,942 S \* 8/1939 Schwinn ..... D12/111

D155,745 S \* 10/1949 Stevens ..... D12/111  
D155,747 S \* 10/1949 Stevens ..... D12/111  
9,611,003 B1 \* 4/2017 Yu ..... B62M 6/90  
D797,609 S \* 9/2017 Gonzalez-Gancedo Carrillo-Albornoz ..... D12/111  
D836,038 S \* 12/2018 Huang ..... D12/111  
10,183,591 B2 \* 1/2019 Shieh ..... B62K 19/40  
D847,032 S \* 4/2019 Yan ..... D12/111  
D850,983 S \* 6/2019 Zhu ..... D12/111  
10,343,747 B2 \* 7/2019 Cunado Landa ..... B62K 19/40  
10,363,992 B2 \* 7/2019 Watarai ..... B62M 9/122  
D859,222 S \* 9/2019 Demeyere ..... D12/111

\* cited by examiner

*Primary Examiner* — Darlington Ly

(74) *Attorney, Agent, or Firm* — Cheng-Ju Chiang

(57) **CLAIM**

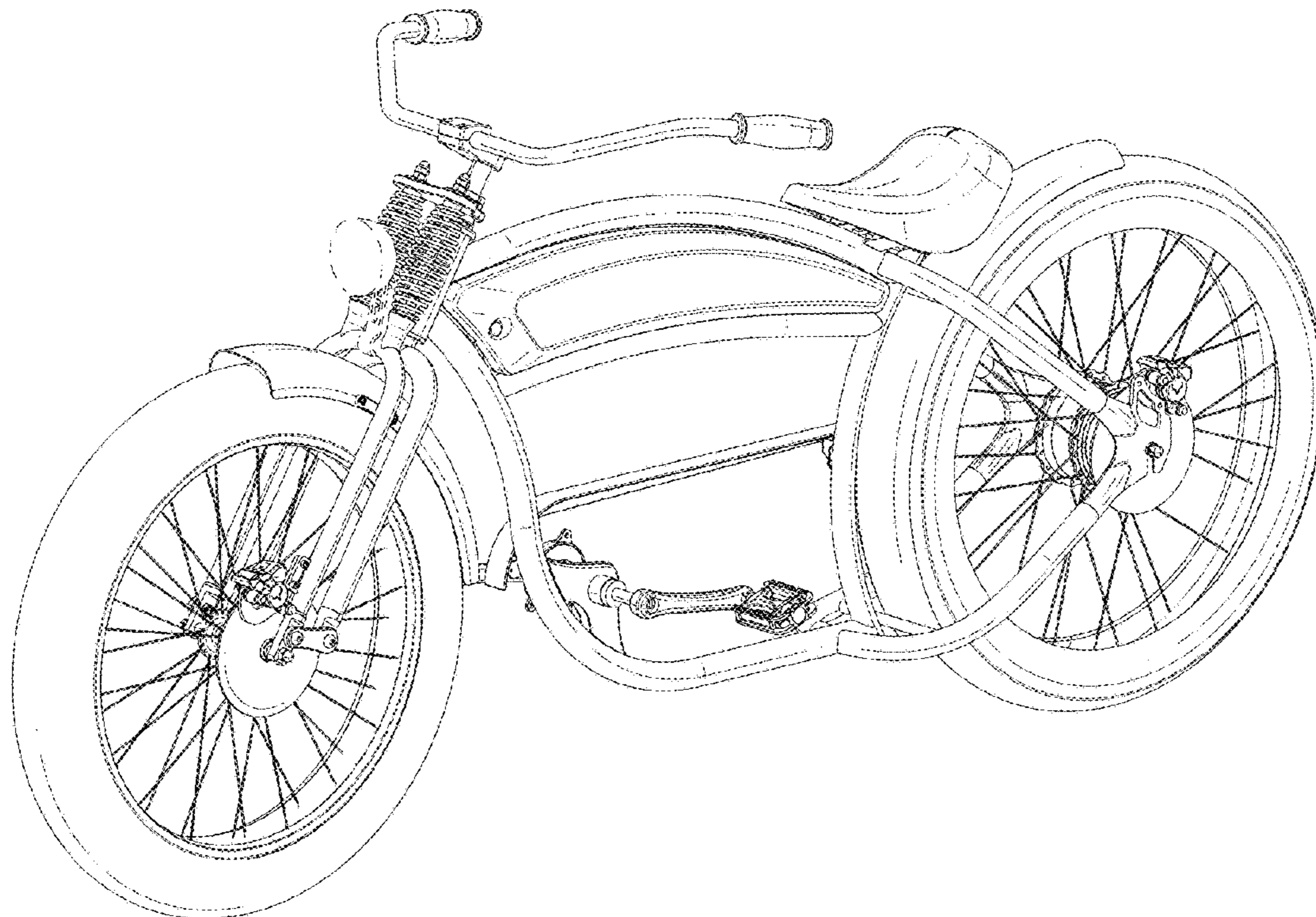
The ornamental design for an electric bicycle, as shown and described.

**DESCRIPTION**

FIG. 1 is a front elevational view of an electric bicycle showing my new design;  
FIG. 2 is a back elevational view thereof;  
FIG. 3 is a left side elevational view thereof;  
FIG. 4 is a right side elevational view thereof;  
FIG. 5 is a top plan view thereof;  
FIG. 6 is a bottom plan view thereof; and,  
FIG. 7 is a perspective view thereof.

The broken lines in the drawings illustrate portions of the electric bicycle that form no part of the claimed design.

**1 Claim, 7 Drawing Sheets**



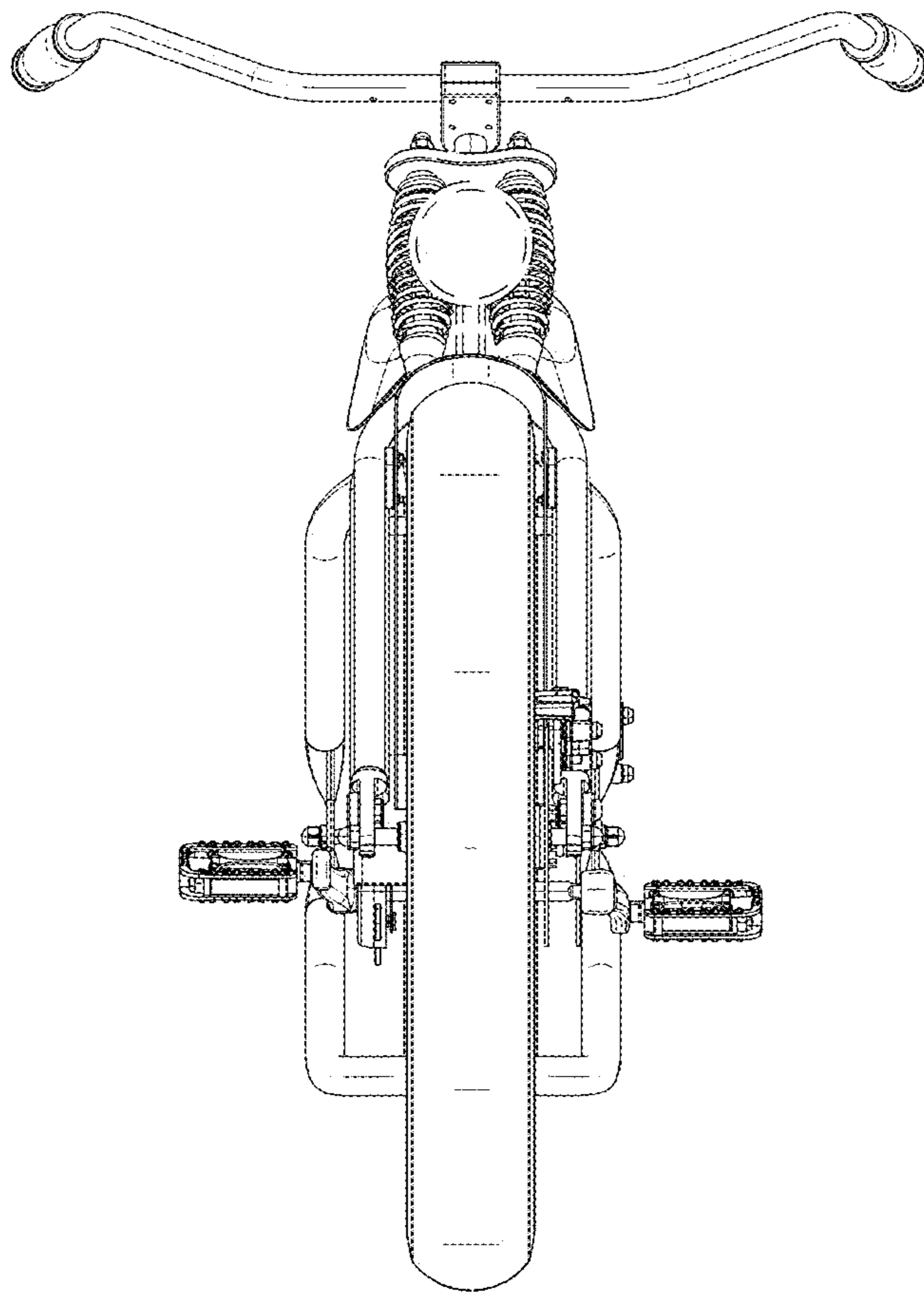


FIG. 1

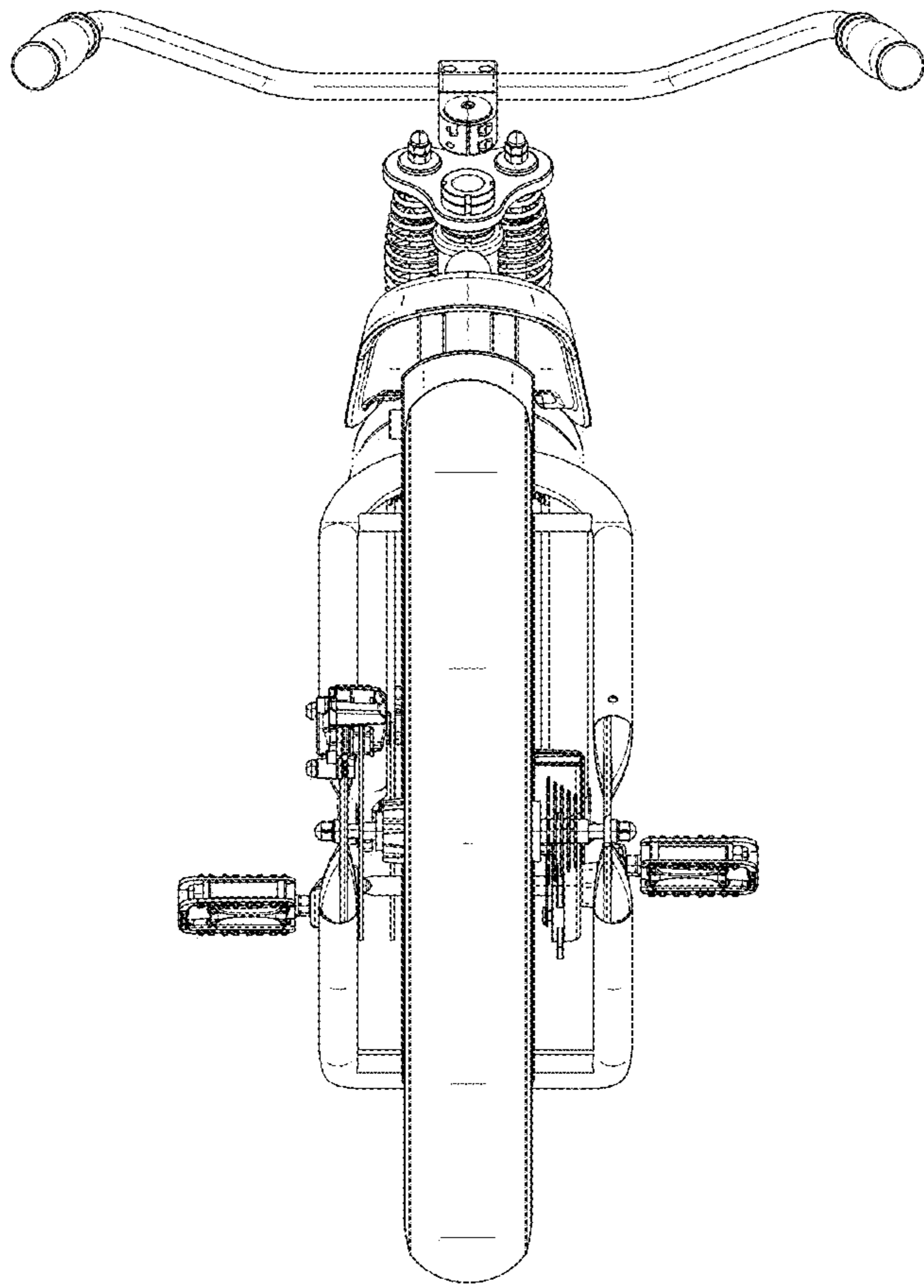


FIG. 2

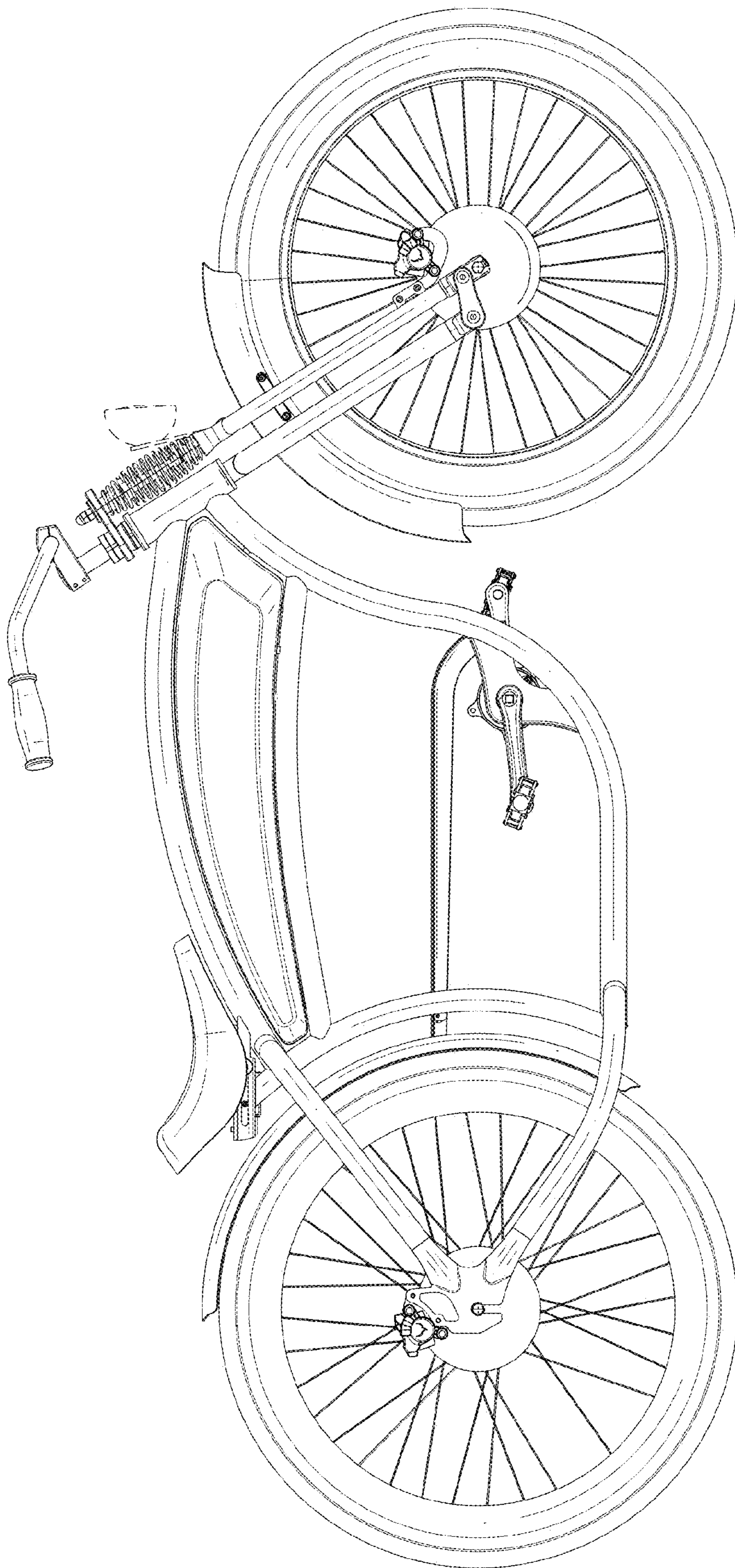


FIG. 3

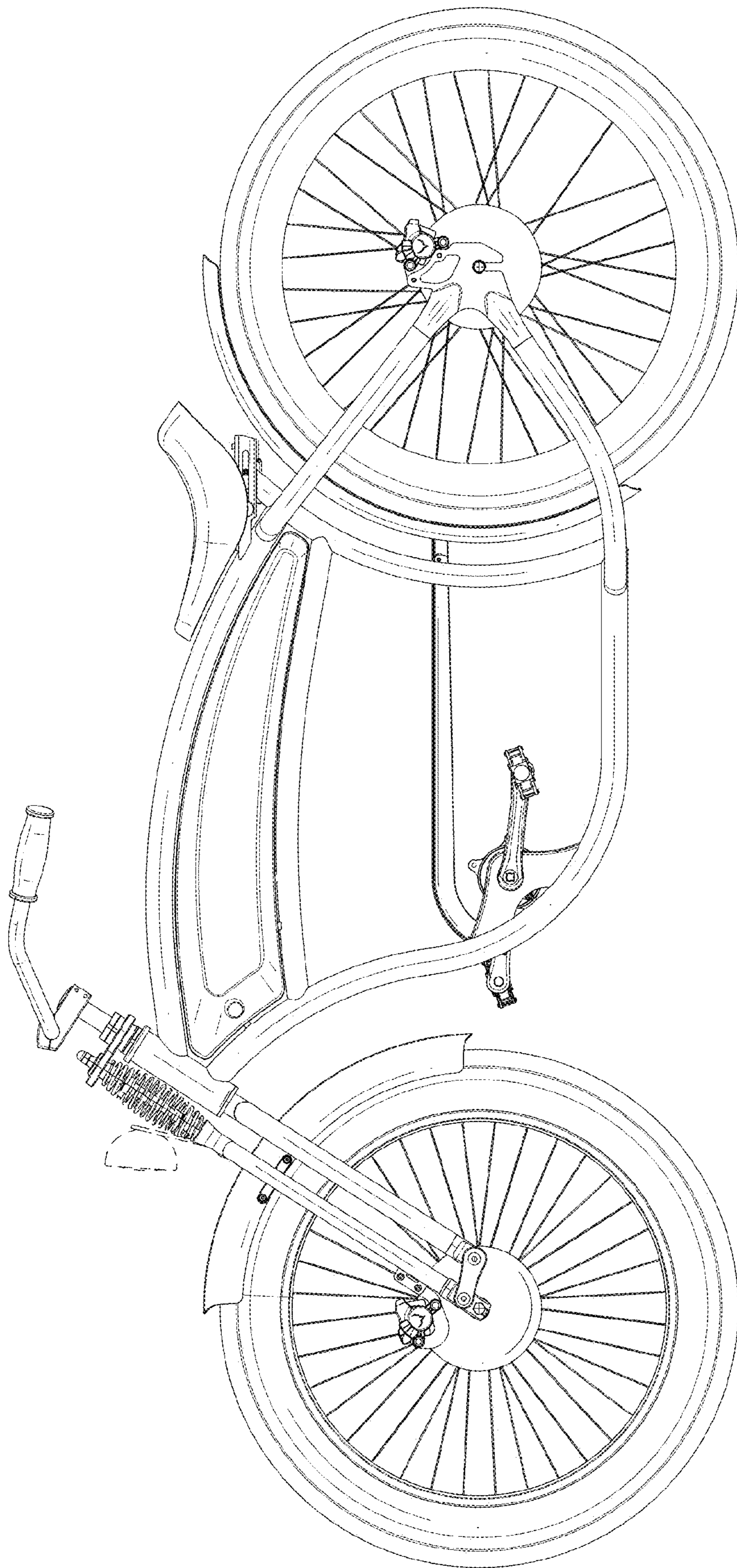


FIG. 4

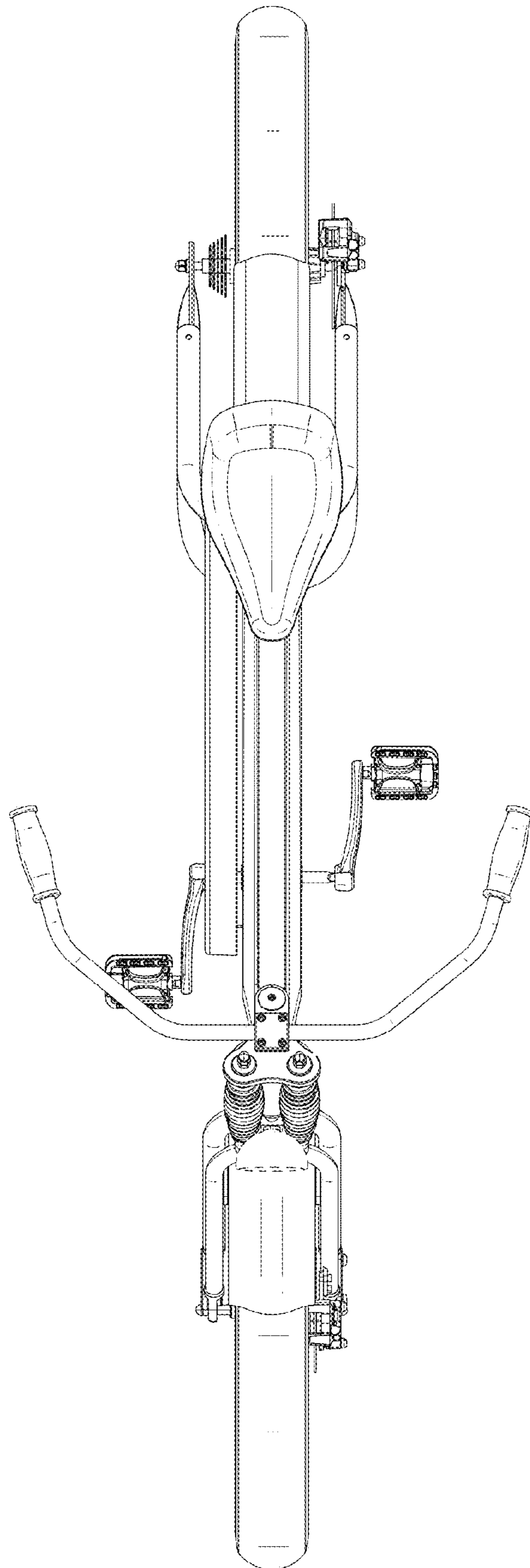


FIG. 5

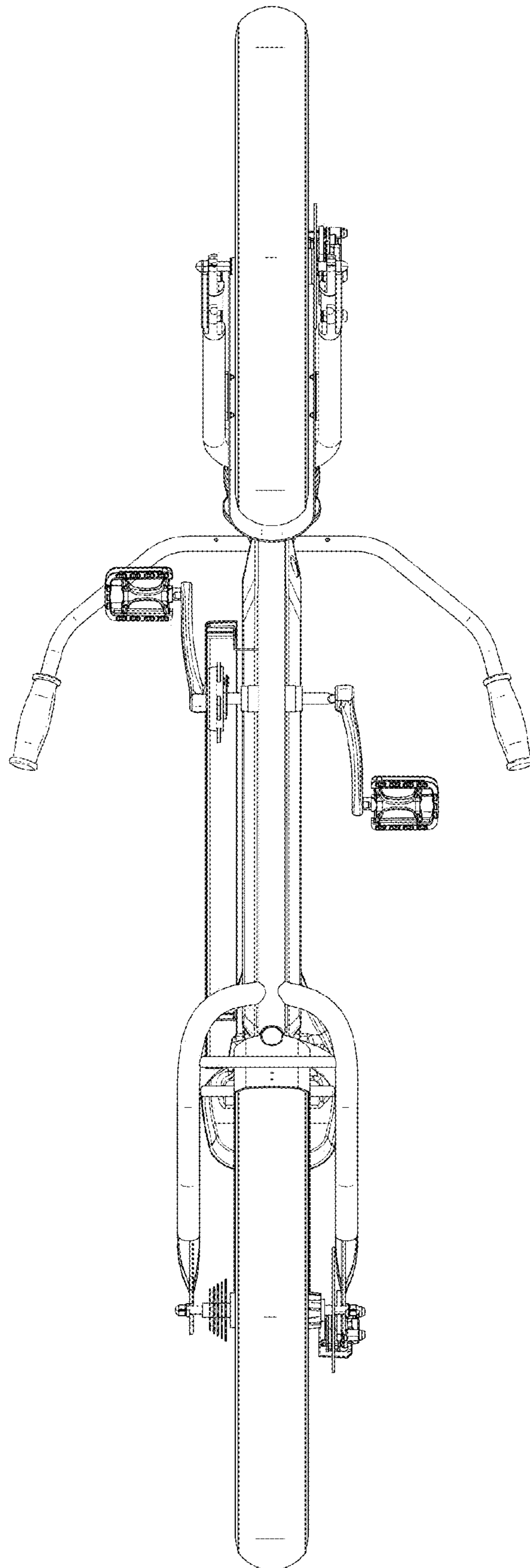


FIG. 6

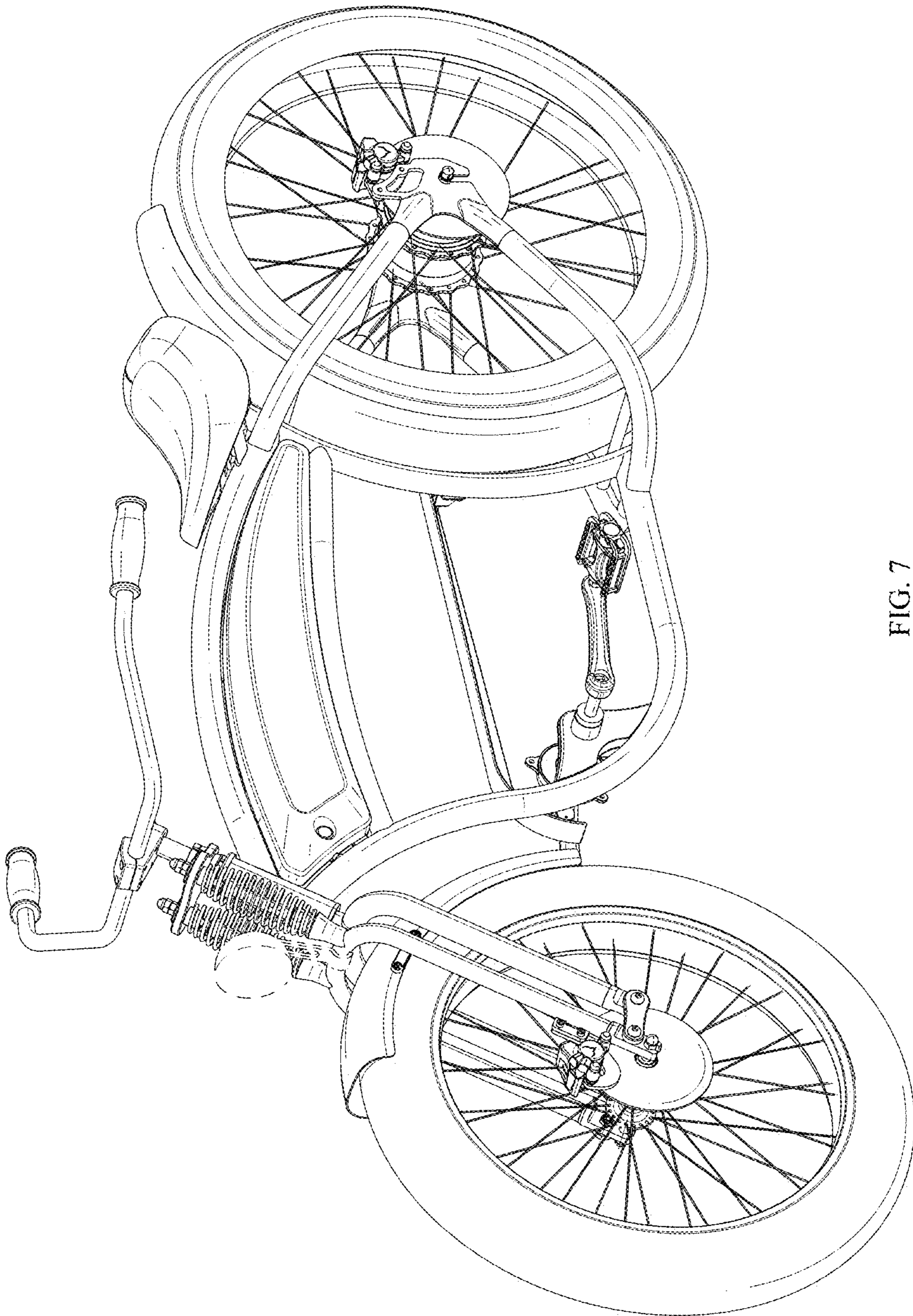


FIG. 7