



US00D879666S

(12) **United States Design Patent**
Gerzeny et al.

(10) **Patent No.:** **US D879,666 S**

(45) **Date of Patent:** **** Mar. 31, 2020**

(54) **VEHICLE**

(71) Applicant: **COACH HOUSE INC.**, Nokomis, FL (US)

(72) Inventors: **David R. Gerzeny**, Sarasota, FL (US);
Steven B. Gerzeny, Venice, FL (US);
Matthew L. Gerzeny, Nokomis, FL (US)

(73) Assignee: **Coach House Inc.**, Nokomis, FL (US)

(**) Term: **15 Years**

(21) Appl. No.: **29/659,314**

(22) Filed: **Aug. 8, 2018**

(51) **LOC (12) Cl.** **12-10**

(52) **U.S. Cl.**
USPC **D12/103**

(58) **Field of Classification Search**
USPC D12/1, 100, 101, 102, 103, 104, 105,
D12/106, 111, 112, 181, 401, 402, 403,
D12/404, 405, 84, 88, 93, 96, 97, 99,
D12/190, 191, 196, 400; D21/424, 434,
D21/581

CPC B62D 21/02; B62D 25/105; B62D 35/02;
B62D 35/00; B62K 27/003

See application file for complete search history.

(56) **References Cited**

U.S. PATENT DOCUMENTS

D319,608 S * 9/1991 Dodgen D12/100
D364,591 S * 11/1995 Lewellen D12/96
D376,772 S * 12/1996 Martin D12/96
D411,141 S * 6/1999 Gerisch D12/96
D436,058 S * 1/2001 Demers D12/1
D445,068 S * 7/2001 Martin D12/96

D449,797 S * 10/2001 Gerzeny D12/103
D466,836 S * 12/2002 Kerouanton D12/93
D482,303 S * 11/2003 Shea D12/181
D491,844 S * 6/2004 Poulin D12/93
6,782,623 B1 * 8/2004 Gerzeny B62D 21/02
29/401.1
D531,546 S * 11/2006 Fillion D12/84
D575,197 S * 8/2008 Whitby D12/93
D602,417 S * 10/2009 Connors D12/401
D602,418 S * 10/2009 Connors D12/401
D646,203 S * 10/2011 Thompson D12/91
D656,866 S * 4/2012 Wise D12/93
D678,822 S * 3/2013 Armigliato D12/91
D774,953 S * 12/2016 Grech D12/96
9,764,779 B2 * 9/2017 Grech B60J 1/02
9,840,182 B2 * 12/2017 Gerzeny B60P 3/36
D808,863 S * 1/2018 Grech D12/96
D808,864 S * 1/2018 Grech D12/96
9,926,027 B2 * 3/2018 D'Urso B62D 65/00

* cited by examiner

Primary Examiner — Susan E Krakower

Assistant Examiner — Jerry Shiuan-Hua Hsu

(74) *Attorney, Agent, or Firm* — Fishman Stewart PLLC

(57) **CLAIM**

The ornamental design for a vehicle, as shown and described.

DESCRIPTION

FIG. 1 is a right side view of a vehicle, showing our new design;

FIG. 2 is a left side view of the vehicle;

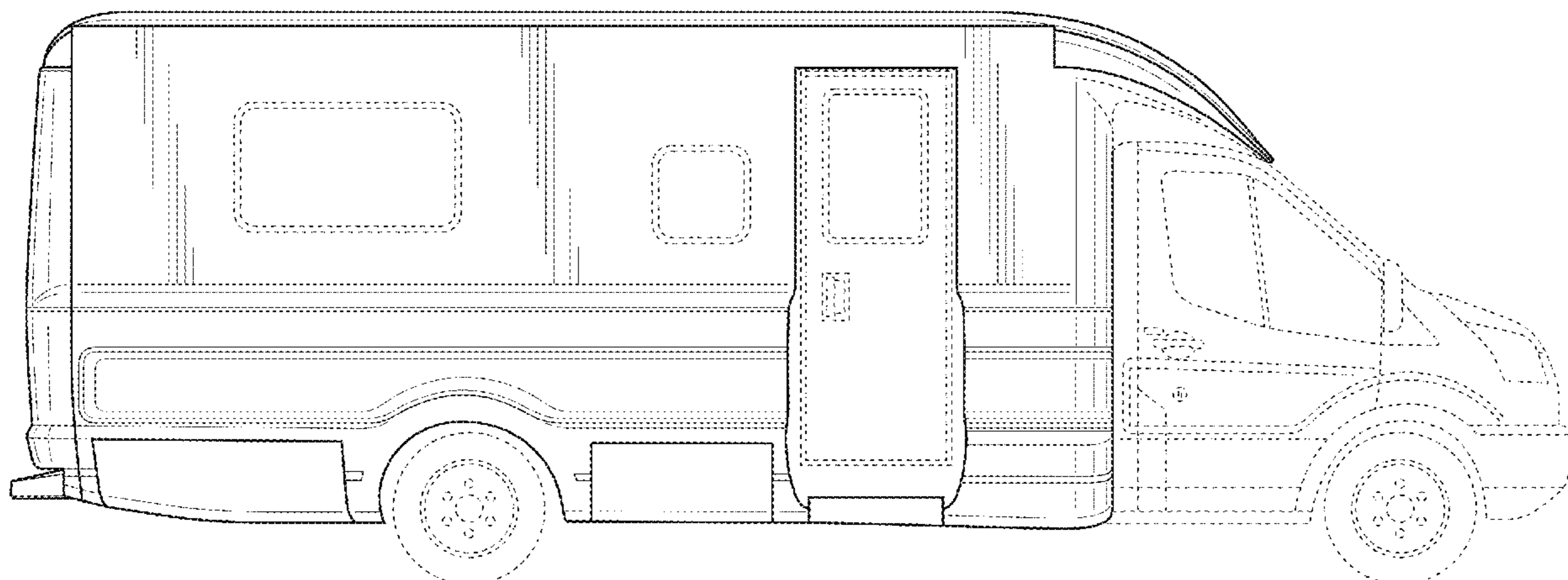
FIG. 3 is front view of the vehicle;

FIG. 4 is a rear view of the vehicle; and,

FIG. 5 is top view of the vehicle.

The broken lines illustrate portions of the vehicle that form no part of the claimed design.

1 Claim, 4 Drawing Sheets



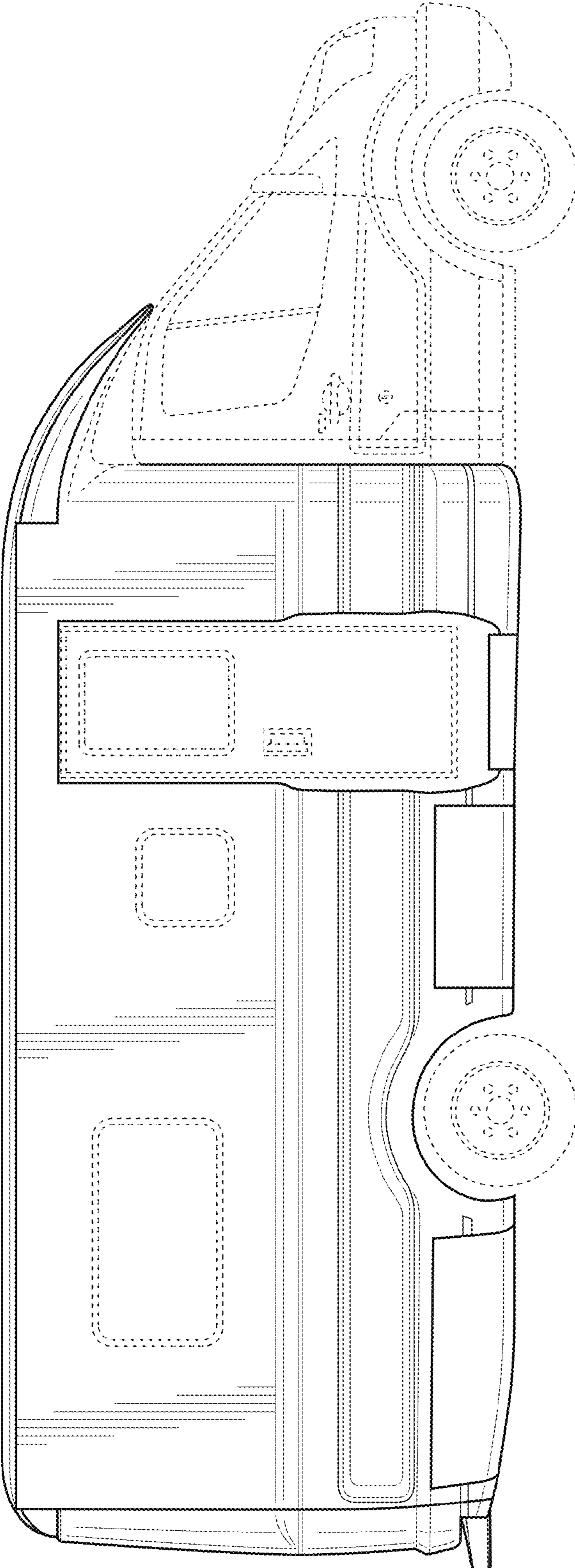


FIG. 1

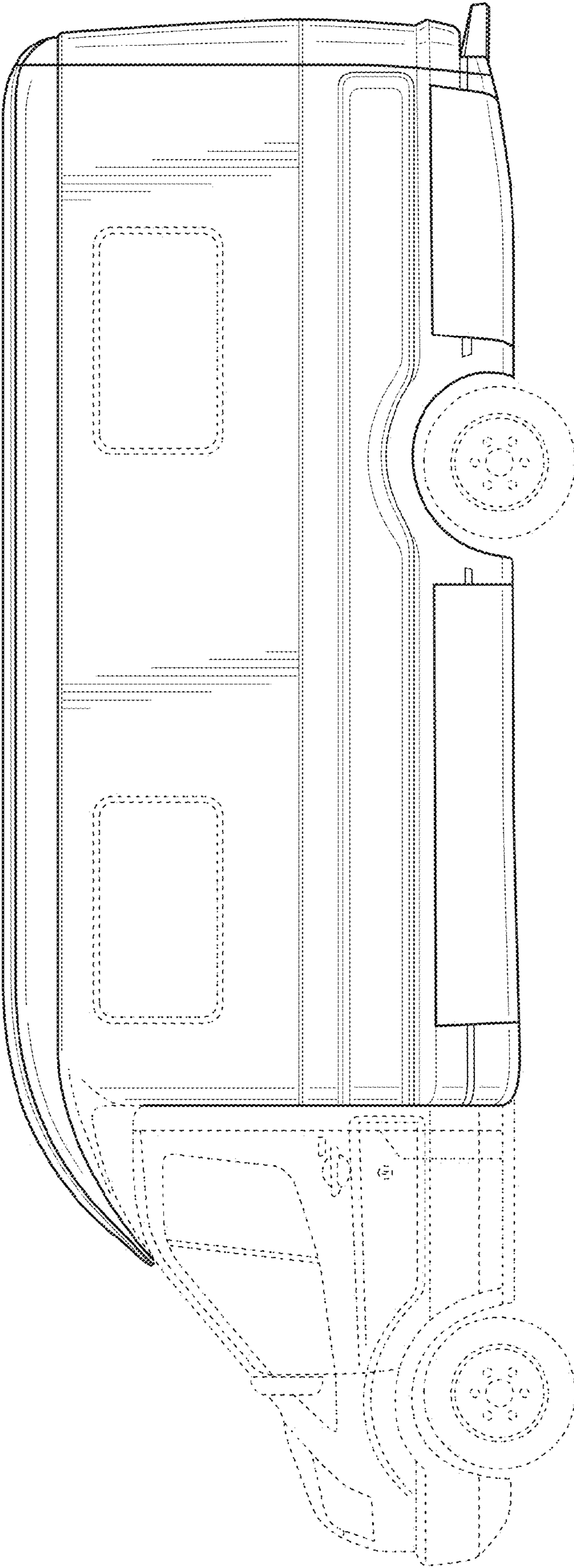


FIG. 2

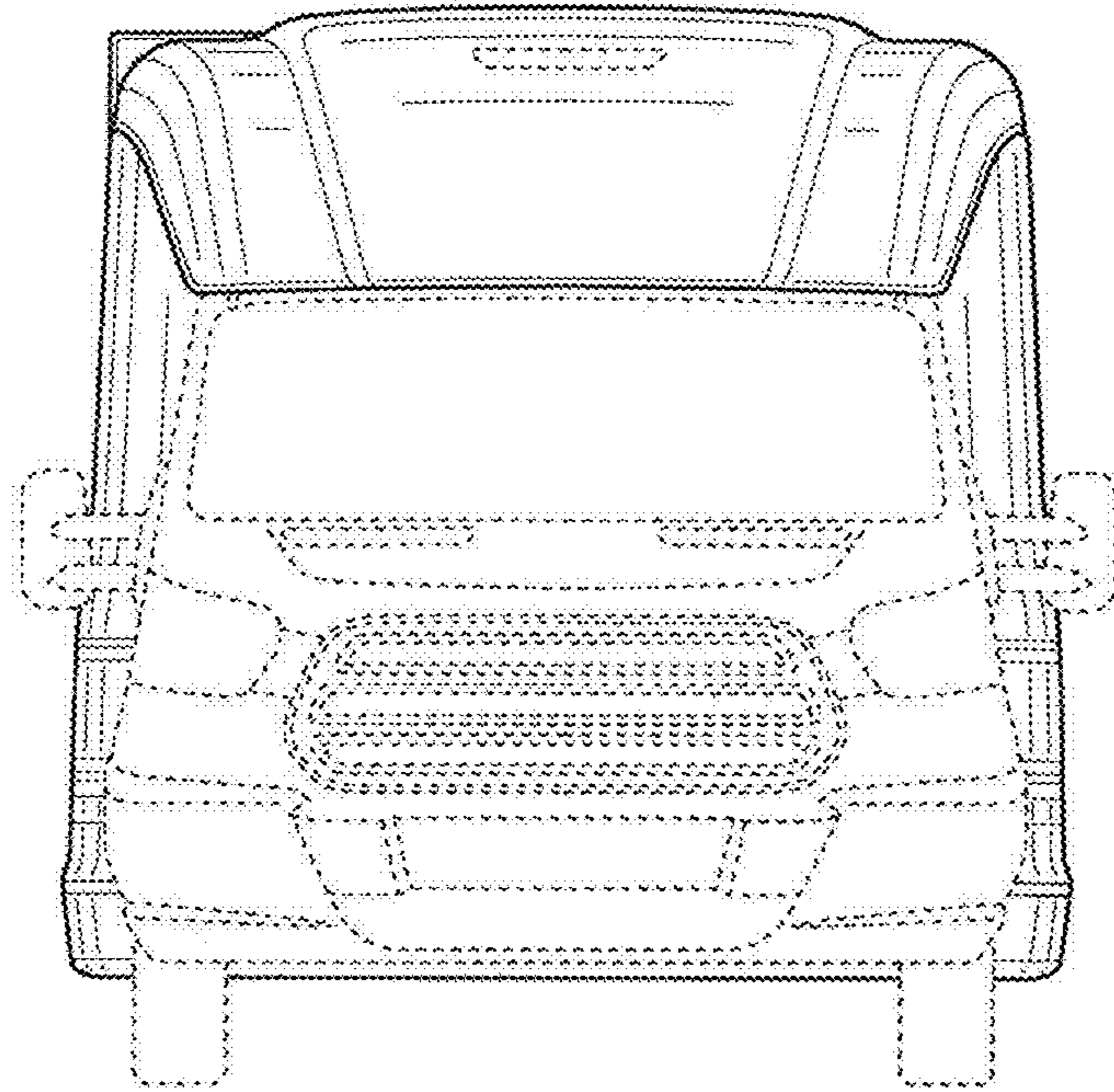


FIG. 3

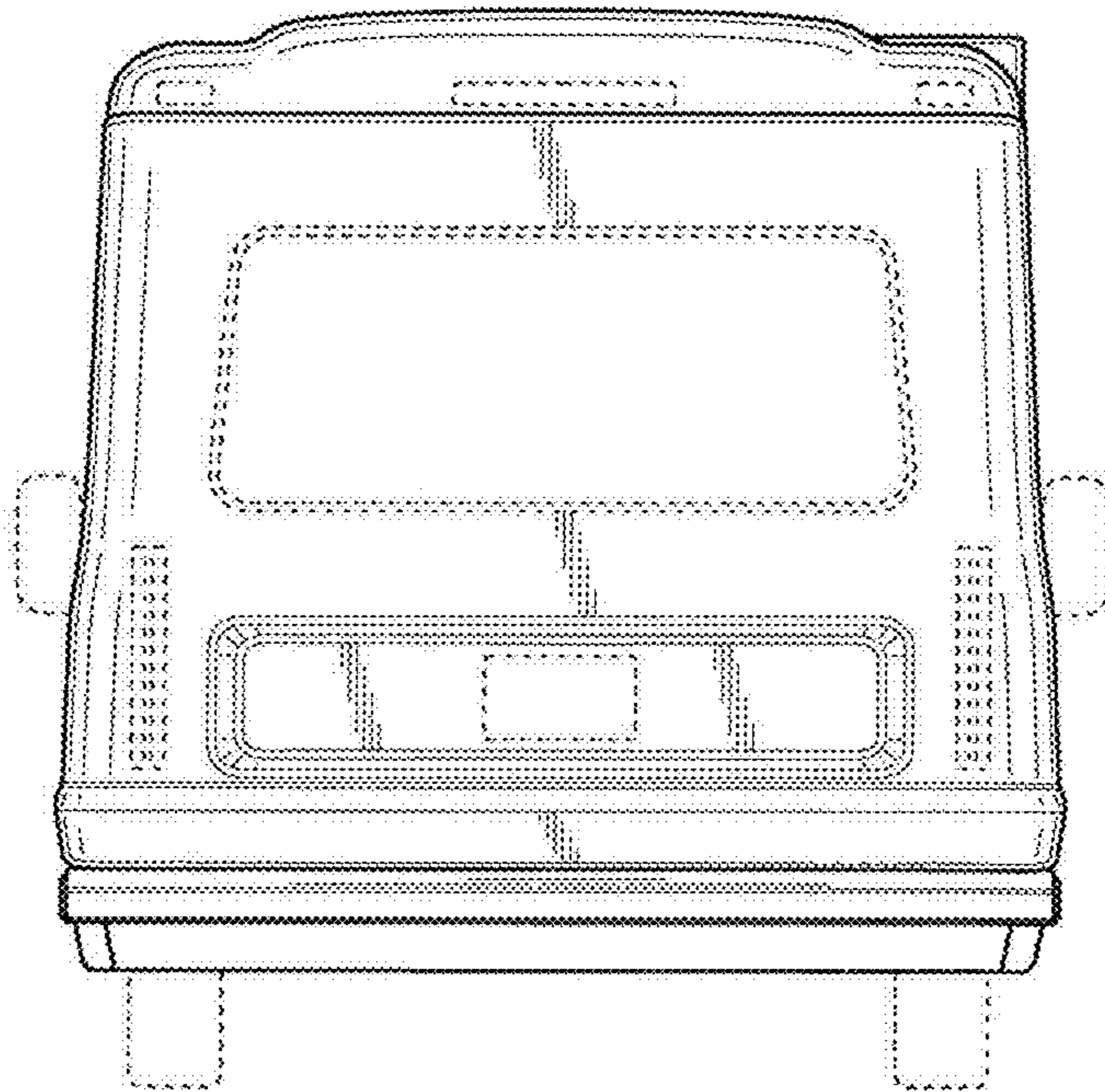


FIG. 4

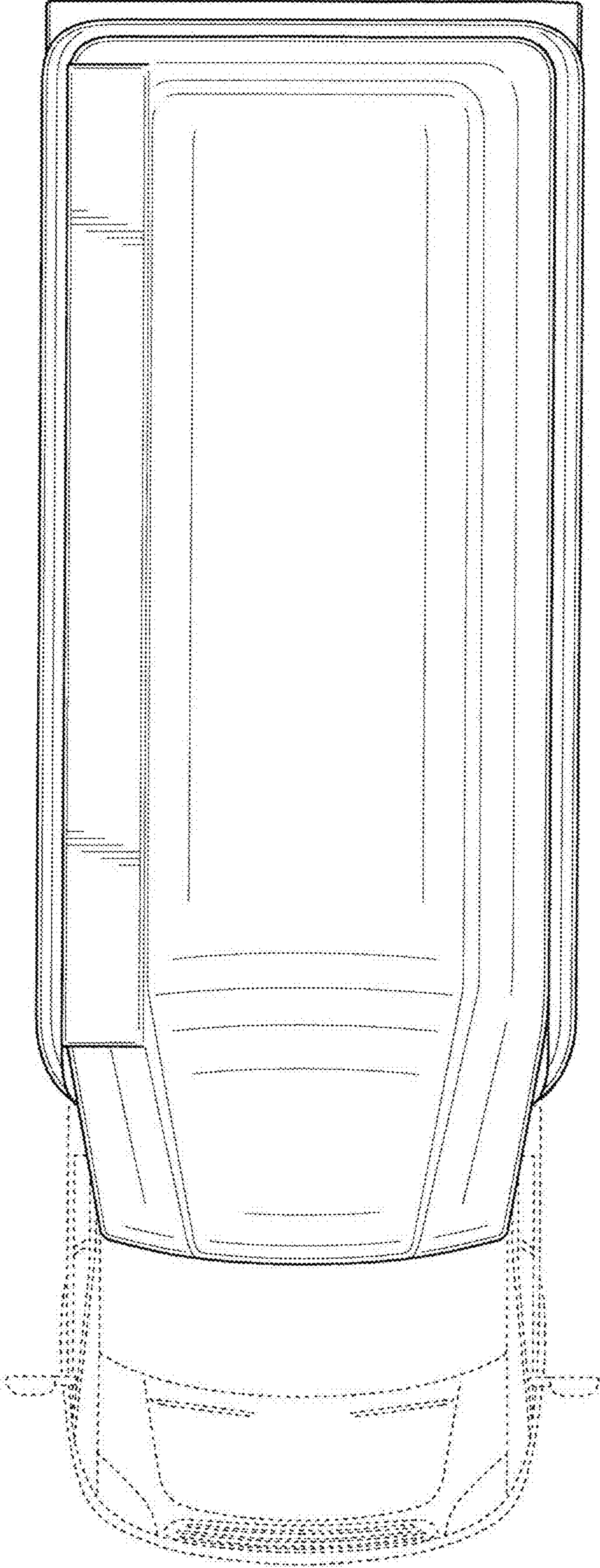


FIG. 5