



US00D879665S

(12) **United States Design Patent**
Tollefson et al.

(10) **Patent No.:** **US D879,665 S**
(45) **Date of Patent:** **** Mar. 31, 2020**

- (54) **TRAILER**
- (71) Applicant: **TIKIZ FRANCHISING, LLC**, Boca Raton, FL (US)
- (72) Inventors: **Brian Tollefson**, Port St. Lucie, FL (US); **David Tollefson**, Boca Raton, FL (US)
- (73) Assignee: **TIKIZ FRANCHISING, LLC**, Boca Raton, FL (US)
- (**) Term: **15 Years**
- (21) Appl. No.: **29/662,589**
- (22) Filed: **Sep. 6, 2018**
- (51) **LOC (12) Cl.** **12-10**
- (52) **U.S. Cl.**
USPC **D12/102**
- (58) **Field of Classification Search**
USPC D12/101, 102, 103, 104, 105, 106, 401, 402, 403, 404, 405, 83, 93, 424, 434, 435, 436, 437, 438, 439, 440, 441, 442, 443, 444, 445, 446, 447, 448, 449, 450, 451, 452, 453, 454, 455, 456, 457, 458, 459, 460, 461, 462, 463, 464, 465, 466, 467, 468, 469, 470, 471, 472, 473, 474, 475, 476, 477, 478, 479, 480, 481, 482, 483, 484, 485, 486, 487, 488, 489, 490, 491, 492, 493, 494, 495, 496, 497, 498, 499, 500, 501, 502, 503, 504, 505, 506, 507, 508, 509, 510, 511, 512, 513, 514, 515, 516, 517, 518, 519, 520, 521, 522, 523, 524, 525, 526, 527, 528, 529, 530, 531, 532, 533, 534, 535, 536, 537, 538, 539, 540, 541, 542, 543, 544, 545, 546, 547, 548, 549, 550, 551, 552, 553, 554, 555, 556, 557, 558, 559, 560, 561, 562, 563, 564, 565, 566, 567, 568, 569, 570, 571, 572, 573, 574, 575, 576, 577, 578, 579, 580, 581, 582, 583, 584, 585, 586, 587, 588, 589, 590, 591, 592, 593, 594, 595, 596, 597, 598, 599, 600, 601, 602, 603, 604, 605, 606, 607, 608, 609, 610, 611, 612, 613, 614, 615, 616, 617, 618, 619, 620, 621, 622, 623, 624, 625, 626, 627, 628, 629, 630, 631, 632, 633, 634, 635, 636, 637, 638, 639, 640, 641, 642, 643, 644, 645, 646, 647, 648, 649, 650, 651, 652, 653, 654, 655, 656, 657, 658, 659, 660, 661, 662, 663, 664, 665, 666, 667, 668, 669, 670, 671, 672, 673, 674, 675, 676, 677, 678, 679, 680, 681, 682, 683, 684, 685, 686, 687, 688, 689, 690, 691, 692, 693, 694, 695, 696, 697, 698, 699, 700, 701, 702, 703, 704, 705, 706, 707, 708, 709, 710, 711, 712, 713, 714, 715, 716, 717, 718, 719, 720, 721, 722, 723, 724, 725, 726, 727, 728, 729, 730, 731, 732, 733, 734, 735, 736, 737, 738, 739, 740, 741, 742, 743, 744, 745, 746, 747, 748, 749, 750, 751, 752, 753, 754, 755, 756, 757, 758, 759, 760, 761, 762, 763, 764, 765, 766, 767, 768, 769, 770, 771, 772, 773, 774, 775, 776, 777, 778, 779, 780, 781, 782, 783, 784, 785, 786, 787, 788, 789, 790, 791, 792, 793, 794, 795, 796, 797, 798, 799, 800, 801, 802, 803, 804, 805, 806, 807, 808, 809, 810, 811, 812, 813, 814, 815, 816, 817, 818, 819, 820, 821, 822, 823, 824, 825, 826, 827, 828, 829, 830, 831, 832, 833, 834, 835, 836, 837, 838, 839, 840, 841, 842, 843, 844, 845, 846, 847, 848, 849, 850, 851, 852, 853, 854, 855, 856, 857, 858, 859, 860, 861, 862, 863, 864, 865, 866, 867, 868, 869, 870, 871, 872, 873, 874, 875, 876, 877, 878, 879, 880, 881, 882, 883, 884, 885, 886, 887, 888, 889, 890, 891, 892, 893, 894, 895, 896, 897, 898, 899, 900, 901, 902, 903, 904, 905, 906, 907, 908, 909, 910, 911, 912, 913, 914, 915, 916, 917, 918, 919, 920, 921, 922, 923, 924, 925, 926, 927, 928, 929, 930, 931, 932, 933, 934, 935, 936, 937, 938, 939, 940, 941, 942, 943, 944, 945, 946, 947, 948, 949, 950, 951, 952, 953, 954, 955, 956, 957, 958, 959, 960, 961, 962, 963, 964, 965, 966, 967, 968, 969, 970, 971, 972, 973, 974, 975, 976, 977, 978, 979, 980, 981, 982, 983, 984, 985, 986, 987, 988, 989, 990, 991, 992, 993, 994, 995, 996, 997, 998, 999, 1000
- (58) **Field of Classification Search**
CPC A47C 31/00; A47C 7/66; A47D 15/00; A47G 9/068; A23G 9/288; B60P 3/0257; B60P 3/32; B60P 3/36
See application file for complete search history.

- D556,091 S * 11/2007 Racich D12/102
- D580,071 S * 11/2008 Evans D25/10
- D614,533 S * 4/2010 Weible D12/83
- D633,007 S * 2/2011 Evans D12/83
- D633,010 S * 2/2011 Hixson G07F 9/10
D12/102
- D653,172 S * 1/2012 Evans D12/83
- D653,589 S * 2/2012 Hixson D12/102
- D653,995 S * 2/2012 Hixson D12/102
- D687,350 S * 8/2013 Wojdyla-Gray D12/101
- 8,813,434 B2 * 8/2014 Koppelman E04H 1/1222
312/138.1
- D721,185 S * 1/2015 Ogorodnii D25/10
- D823,480 S * 7/2018 Balzer D25/10
- 2016/0264033 A1 * 9/2016 Tollefson A23G 9/288

* cited by examiner

Primary Examiner — Susan E Krakower
Assistant Examiner — Jerry Shiuian-Hua Hsu
(74) *Attorney, Agent, or Firm* — Millen, White, Zelano & Branigan, P.C.; William Nixon

(57) **CLAIM**

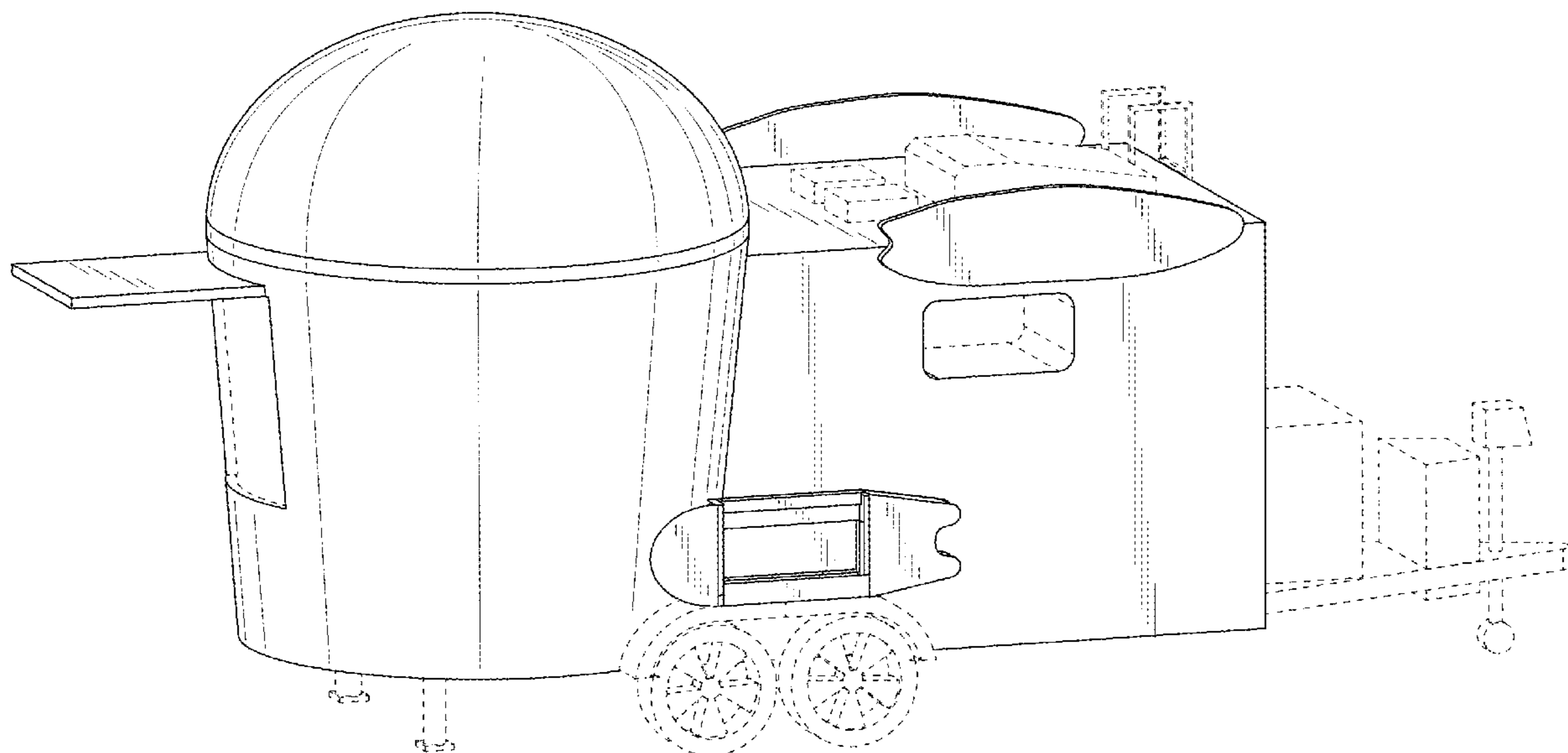
The ornamental design for a trailer, as shown and described.

DESCRIPTION

FIG. 1 is a perspective view of a trailer showing our new design;
FIG. 2 is a left side elevational view of the trailer;
FIG. 3 is a right side elevational view of the trailer;
FIG. 4 is a front elevational view of the trailer;
FIG. 5 is a rear elevational view of the trailer;
FIG. 6 is a top plan view of the trailer; and,
FIG. 7 is a bottom plan view of the trailer.
The broken lines depict portions of the trailer and form no part of the claimed design.

1 Claim, 7 Drawing Sheets

- (56) **References Cited**
U.S. PATENT DOCUMENTS
D283,994 S * 5/1986 Perry D12/83
D286,076 S * 10/1986 DeStefano D25/10
D320,771 S * 10/1991 Crawford D12/102
5,595,414 A * 1/1997 Dulnig B60P 3/0257
296/21
D430,067 S * 8/2000 Hosomi D12/83



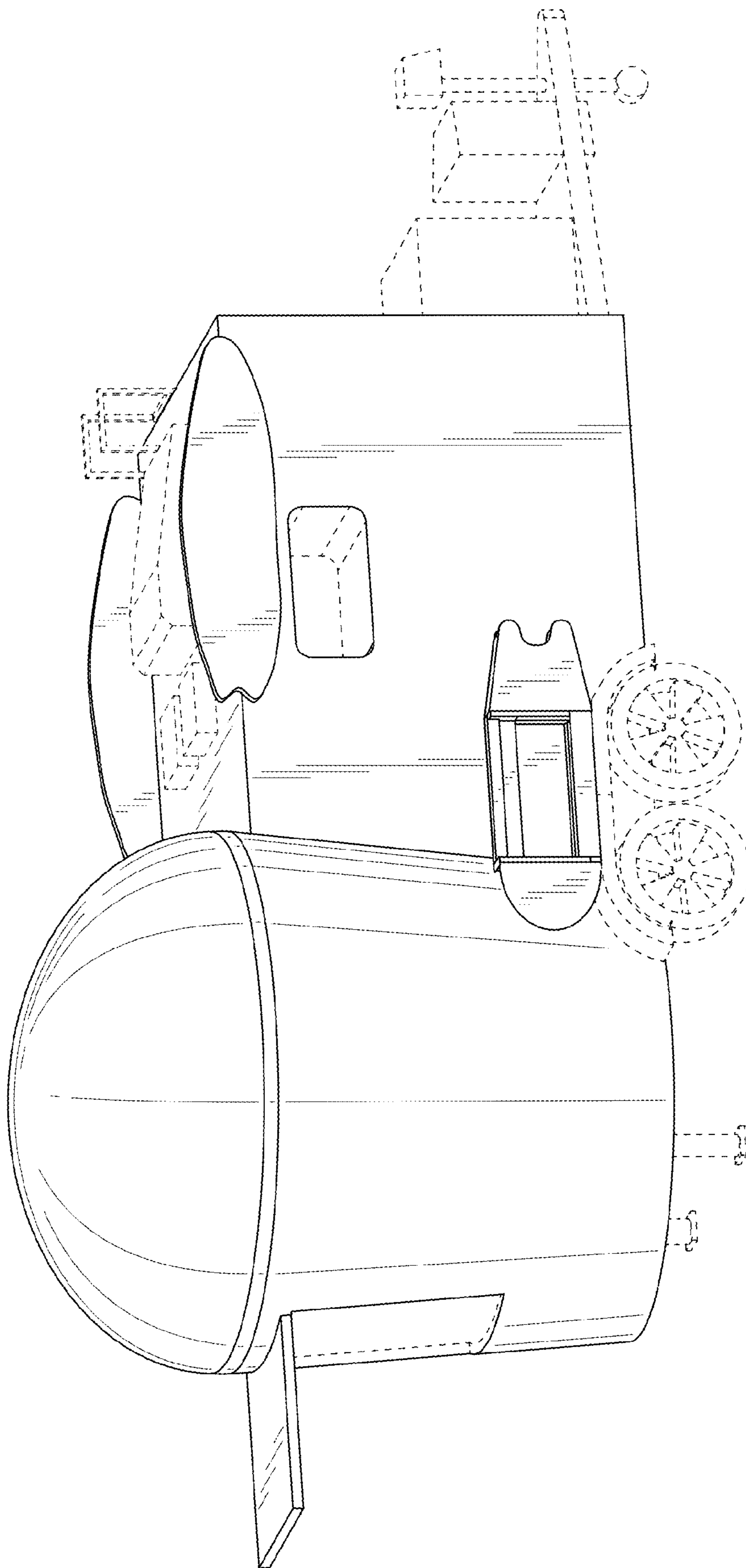


FIG. 1

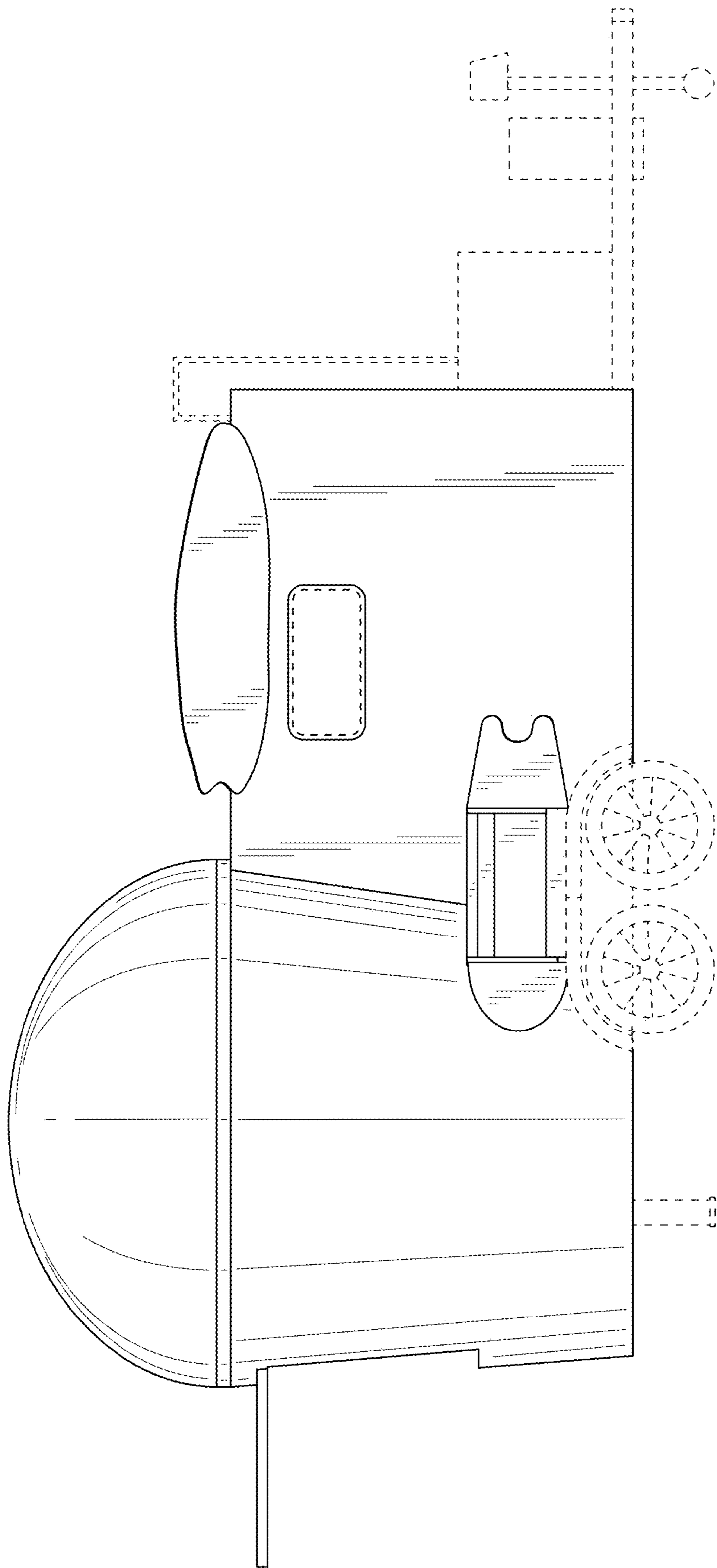


FIG. 2

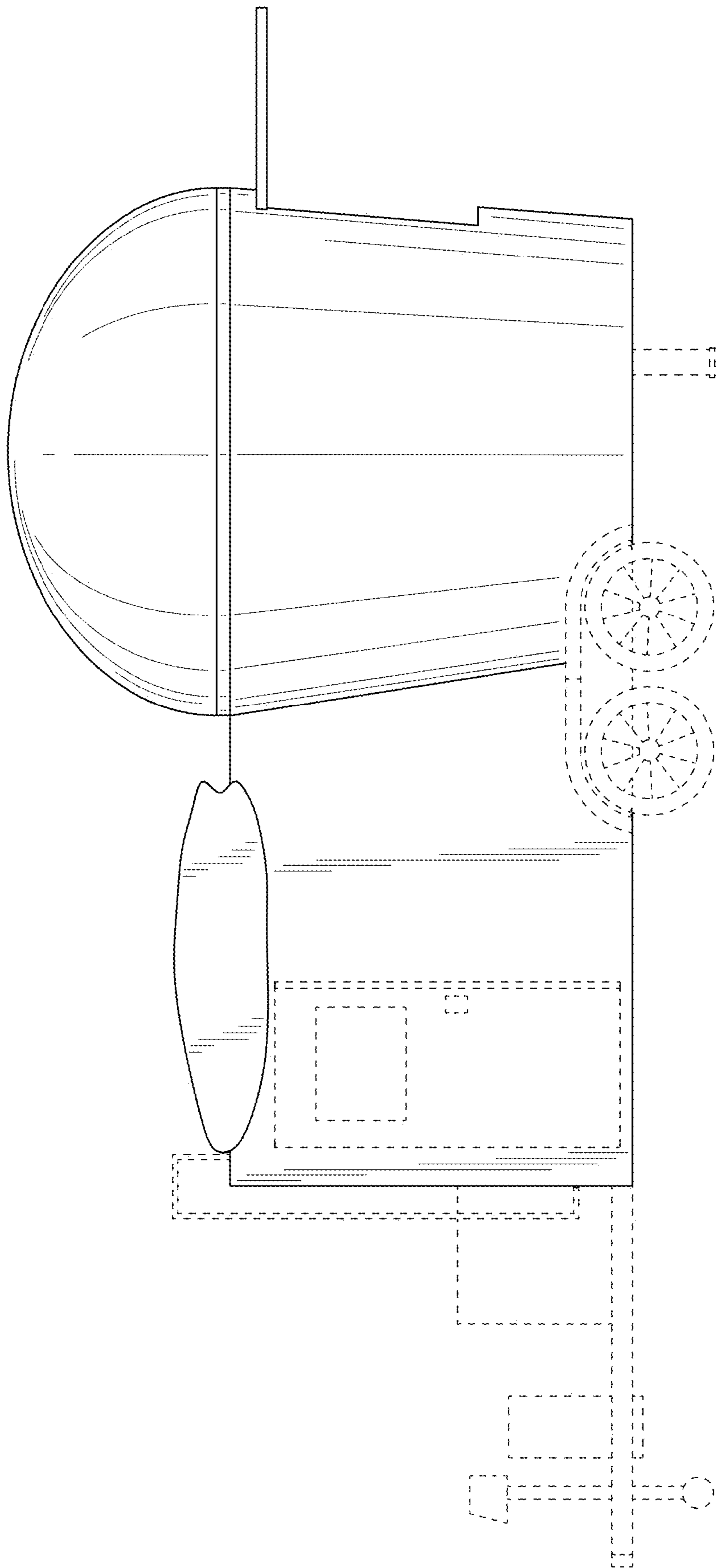


FIG. 3

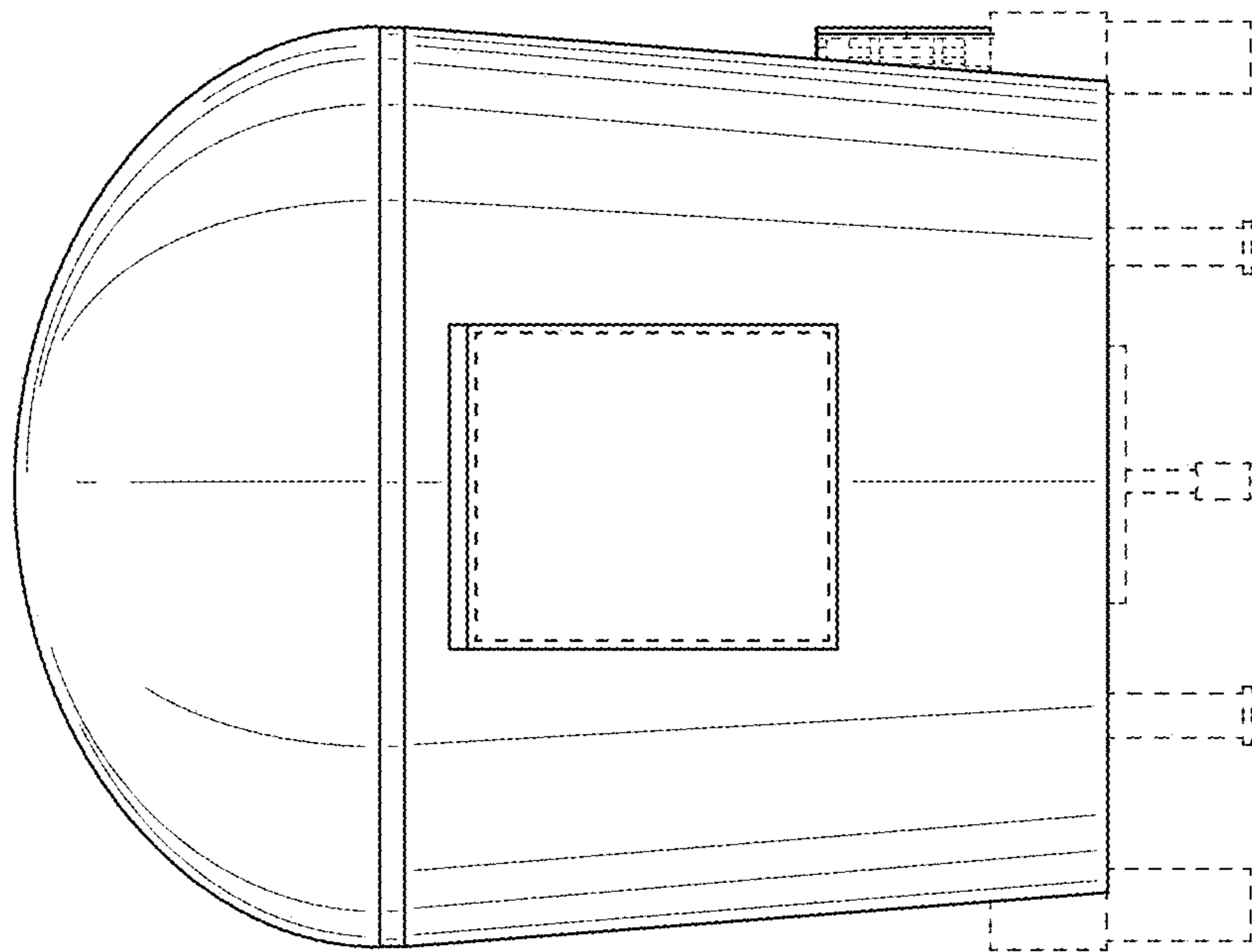


FIG. 4

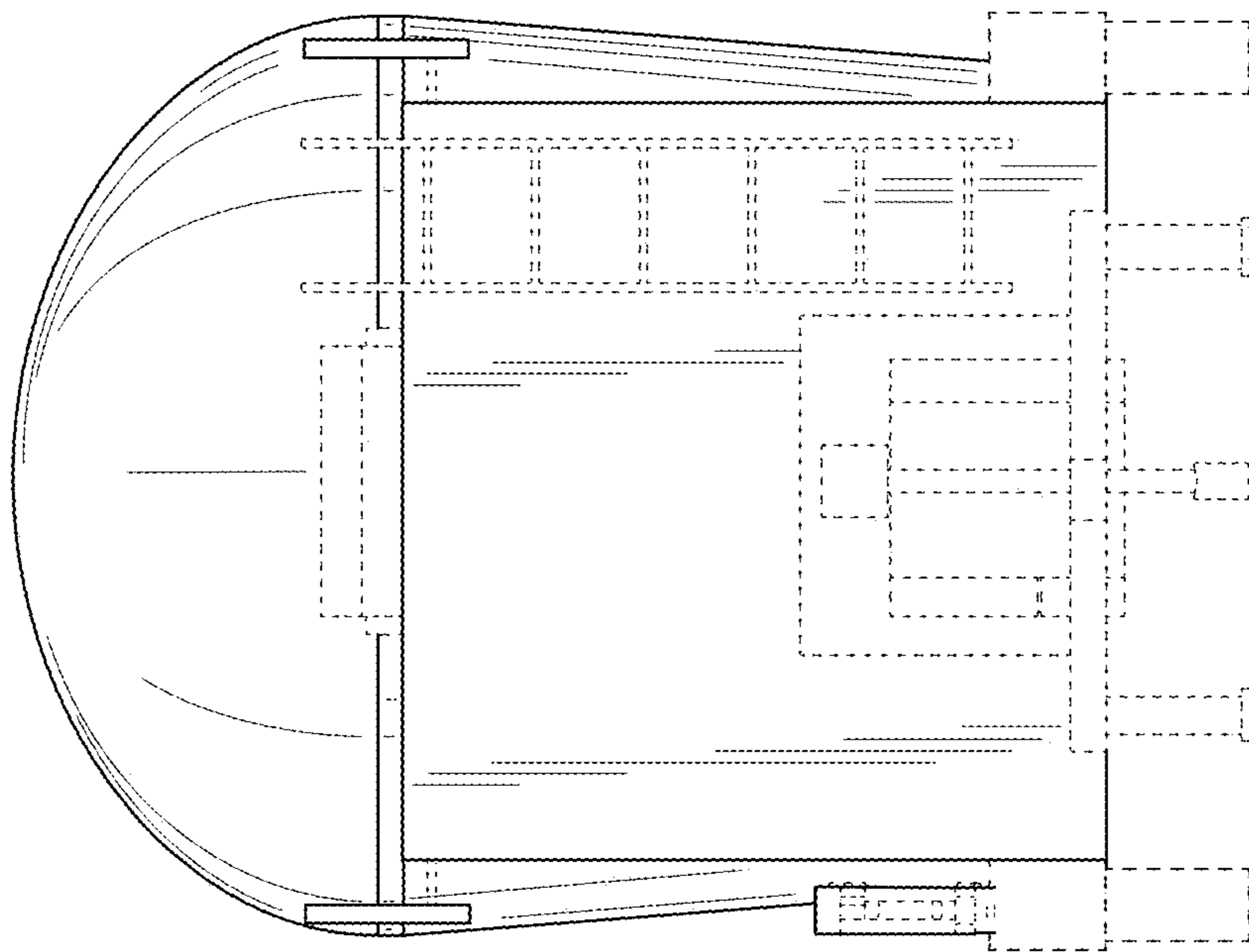


FIG. 5

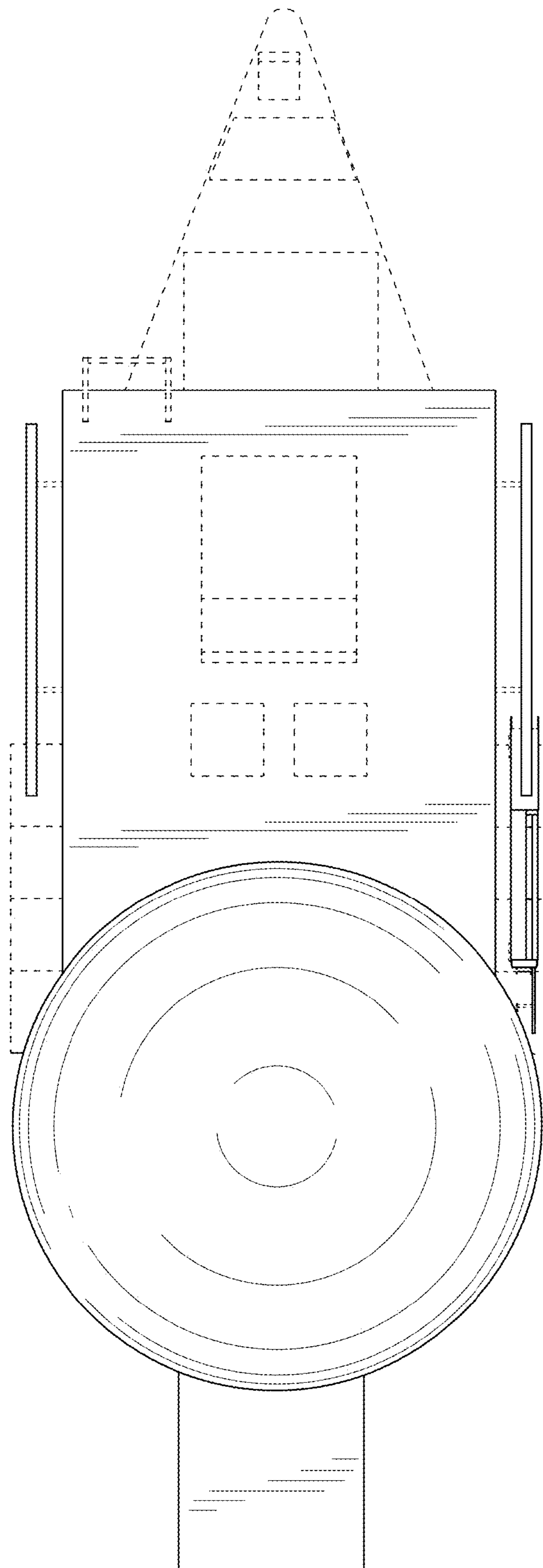


FIG. 6

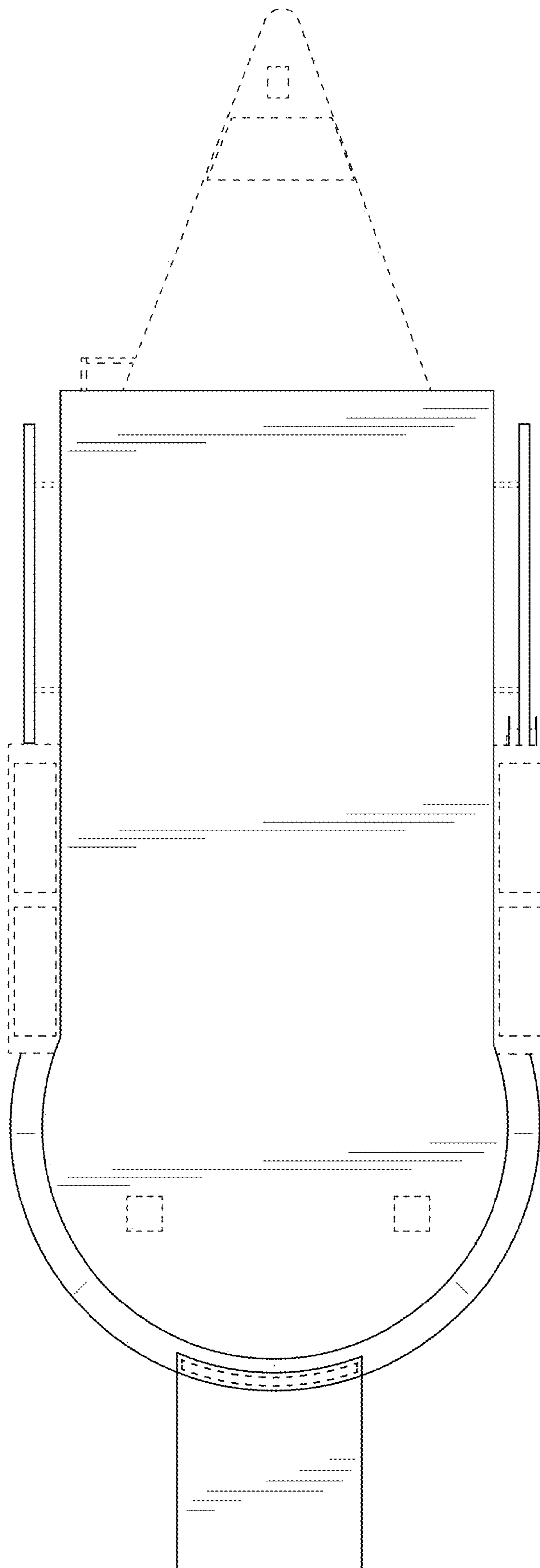


FIG. 7