



US00D879663S

(12) **United States Design Patent**
Barlow, Jr. et al.

(10) **Patent No.:** **US D879,663 S**
(45) **Date of Patent:** **** Mar. 31, 2020**

(54) **VEHICLE AND/OR REPLICA**

(71) Applicant: **HONDA MOTOR CO., LTD.**, Tokyo (JP)

(72) Inventors: **John Barlow, Jr.**, Marysville, OH (US); **David William Marek**, Raymond, OH (US); **Frank Paluch**, Raymond, OH (US); **Marcus Scott Williams**, Springfield, OH (US); **Ryan Christopher Hetzer**, Columbus, OH (US); **Derick Bevington**, Ridgeway, OH (US); **Lance Anthony**, Raymond, OH (US); **Matthew J. Buchanan**, Kenton, OH (US)

(73) Assignee: **HONDA MOTOR CO., LTD.**, Tokyo (JP)

(**) Term: **15 Years**

(21) Appl. No.: **29/668,263**

(22) Filed: **Oct. 29, 2018**

(51) **LOC (12) Cl.** **12-08**

(52) **U.S. Cl.**
USPC **D12/87**

(58) **Field of Classification Search**
USPC D12/87, 86, 107, 110, 1, 3, 4, 14, 93, 85
CPC .. B60G 2300/07; B62D 21/183; B62D 23/00;
B62D 25/00
See application file for complete search history.

(56) **References Cited**

U.S. PATENT DOCUMENTS

D605,555 S * 12/2009 Tanaka D12/14
D606,900 S * 12/2009 Flores D12/87
D636,295 S * 4/2011 Eck D12/1

D670,198 S * 11/2012 Li D12/14
D675,960 S * 2/2013 Hashimoto D12/87
D689,396 S * 9/2013 Wang D12/14
D711,778 S * 8/2014 Chun D12/14
D717,695 S * 11/2014 Matsumura D12/14
D727,794 S * 4/2015 Tandrup D12/14
D730,239 S * 5/2015 Gonzalez D12/14
D736,118 S * 8/2015 Hashimoto D12/14
D764,972 S * 8/2016 Gonzalez D12/14
D811,267 S * 2/2018 Knox D12/87
D816,550 S * 5/2018 Leyrikh D12/87
D819,492 S * 6/2018 Flores D12/14
D824,806 S * 8/2018 Knox D12/87
2018/0264930 A1 * 9/2018 Blackford B60K 11/08

* cited by examiner

Primary Examiner — Michelle E. Wilson

Assistant Examiner — Clese Moore, Jr.

(74) *Attorney, Agent, or Firm* — Arent Fox LLP

(57) **CLAIM**

The ornamental design for a vehicle and/or replica, as shown and described.

DESCRIPTION

FIG. 1 is a front right perspective view of a vehicle and/or replica showing our new design;
FIG. 2 is a rear left perspective view of the design shown in FIG. 1;
FIG. 3 is a right side view of the design shown in FIG. 1, the left side view being a mirror image thereof;
FIG. 4 is a front view of the design shown in FIG. 1;
FIG. 5 is a rear view of the design shown in FIG. 1;
FIG. 6 is a top view of the design shown in FIG. 1; and,
FIG. 7 is a front view of the design shown in FIG. 1.
The bottom of the vehicle and/or replica forms no part of the claimed design.

1 Claim, 7 Drawing Sheets



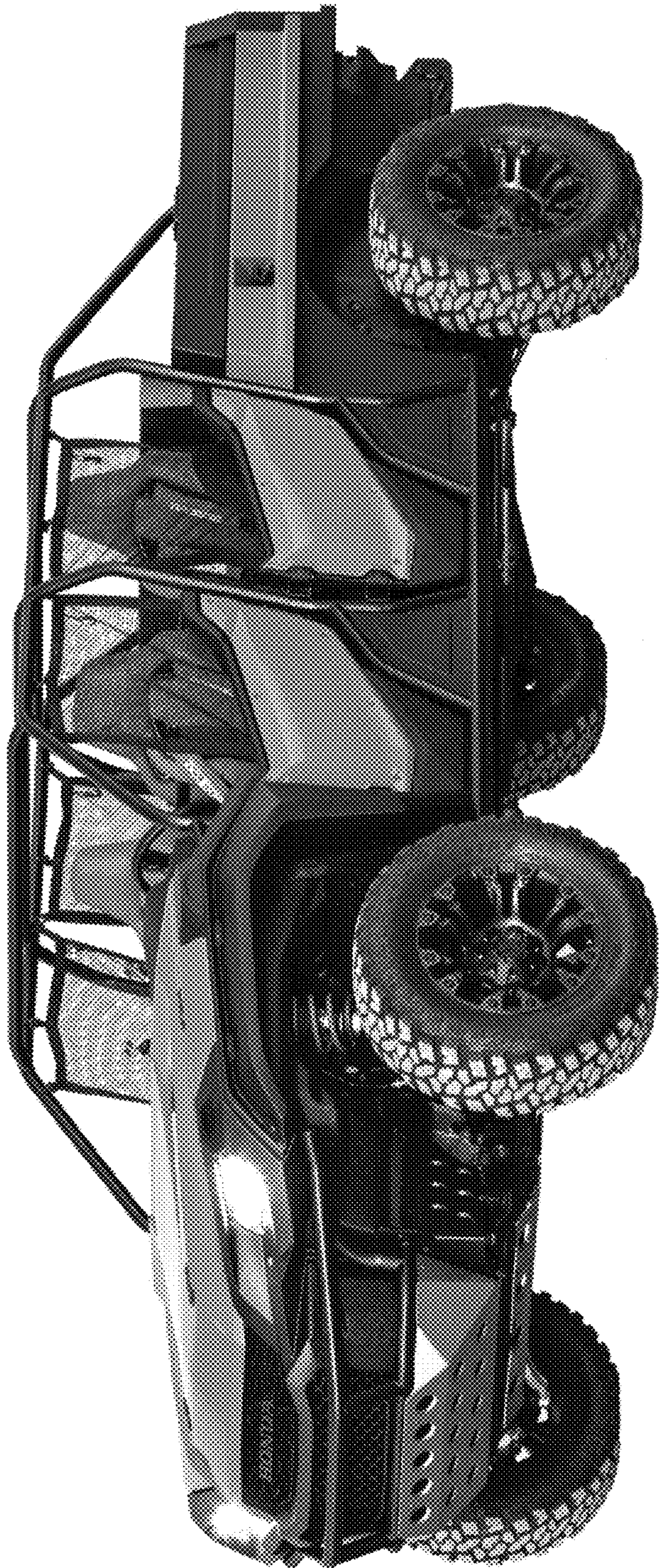


FIG. 1

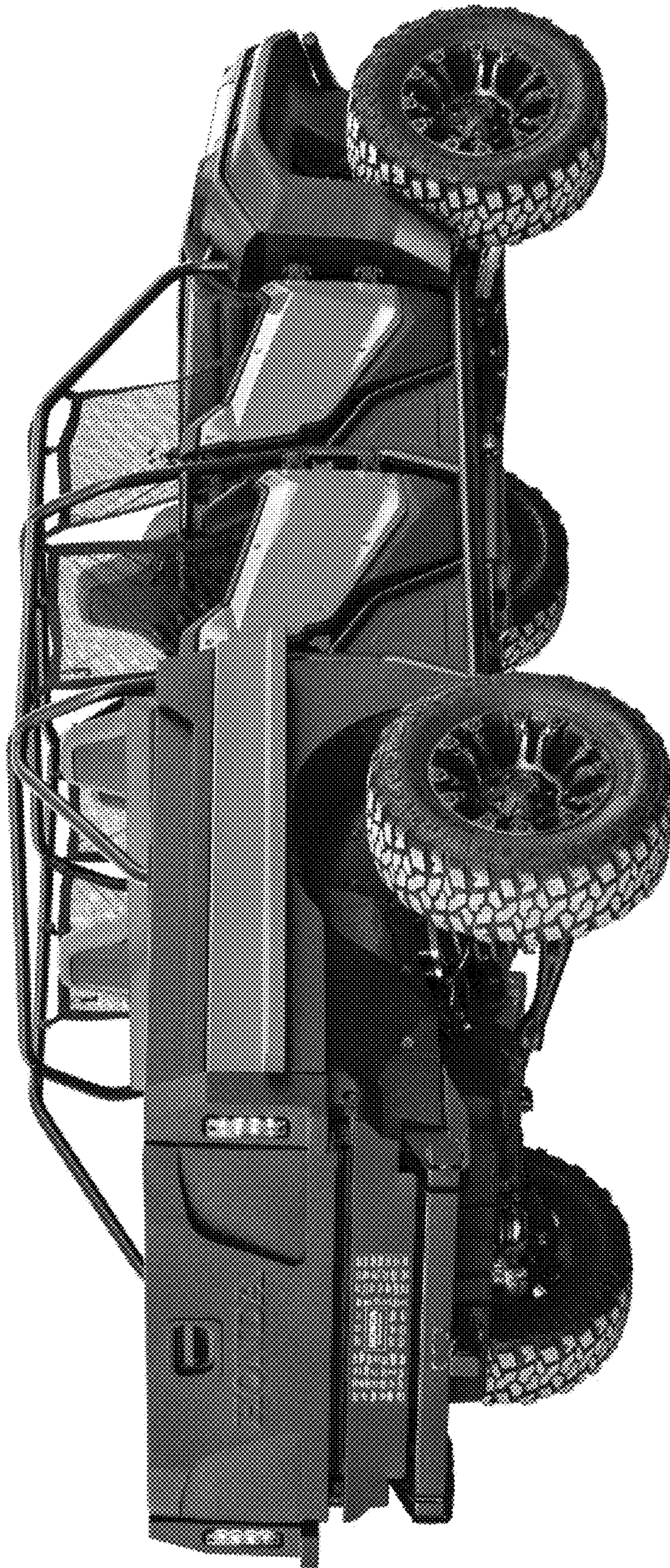


FIG. 2

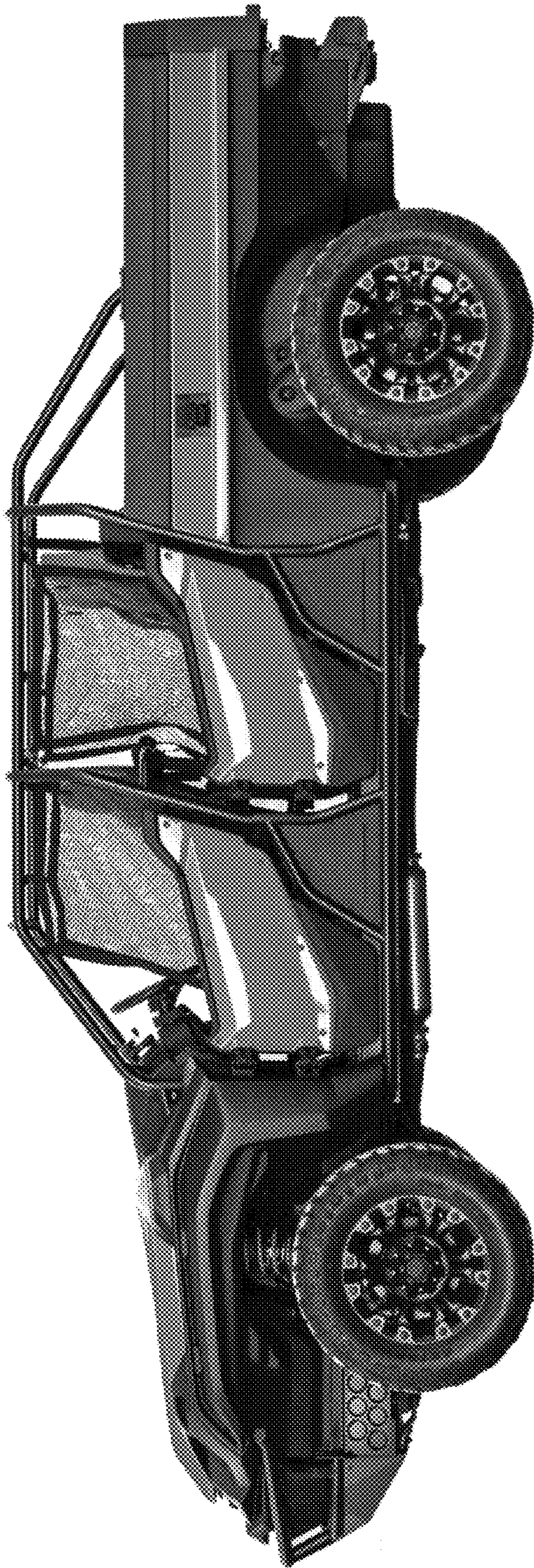


FIG. 3



FIG. 4

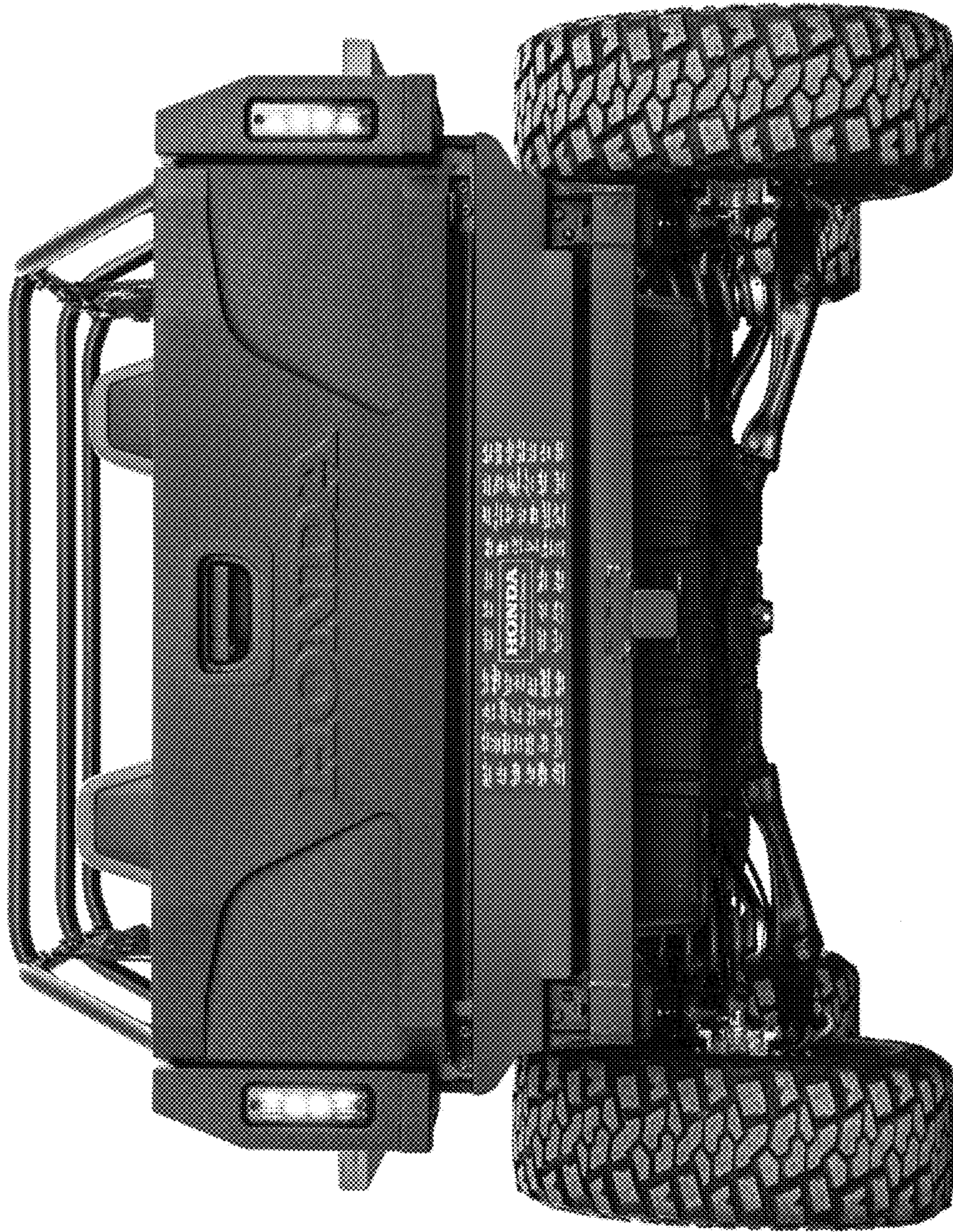


FIG. 5



FIG. 6



FIG. 7