



US00D879662S

(12) **United States Design Patent**
Dubanowski et al.

(10) **Patent No.:** **US D879,662 S**
(45) **Date of Patent:** **** Mar. 31, 2020**

(54) **GOLF CART DASH COVER**
(71) Applicants: **Michael K. Dubanowski**, Elgin, IL
(US); **Glenn E. Bolt**, Gilberts, IL (US)
(72) Inventors: **Michael K. Dubanowski**, Elgin, IL
(US); **Glenn E. Bolt**, Gilberts, IL (US)
(**) Term: **15 Years**
(21) Appl. No.: **29/582,023**

D628,518 S	12/2010	Hanson	
D646,604 S	10/2011	Zhang	
D658,554 S *	5/2012	Tasaki	D12/192
8,182,018 B2	5/2012	Duplantis	
D697,847 S	1/2014	Waugh	
D727,817 S	4/2015	Schroeder	
D762,141 S *	7/2016	Zhou	D12/16
2002/0195831 A1 *	12/2002	Hogan	B60N 3/08 296/37.12
2007/0210603 A1 *	9/2007	Hanson	B62D 25/14 296/70
2009/0108618 A1 *	4/2009	Hanson	B60K 37/00 296/72

(22) Filed: **Oct. 24, 2016**
(51) **LOC (12) Cl.** **12-02**
(52) **U.S. Cl.**
USPC **D12/16**
(58) **Field of Classification Search**
USPC D10/102, 103, 46; D12/16, 107, 14, 190,
D12/192, 415, 82, 83, 85, 86; D15/17,
D15/28; D21/425, 433
CPC B42D 17/00; B60K 37/00; B60N 3/08;
B62D 25/14
See application file for complete search history.

* cited by examiner

Primary Examiner — Susan E Krakower
Assistant Examiner — Jerry Shiuan-Hua Hsu
(74) *Attorney, Agent, or Firm* — Quickpatents, LLC;
Kevin Prince

(57) **CLAIM**

We claim the ornamental design for a golf cart dash cover,
as shown and described.

DESCRIPTION

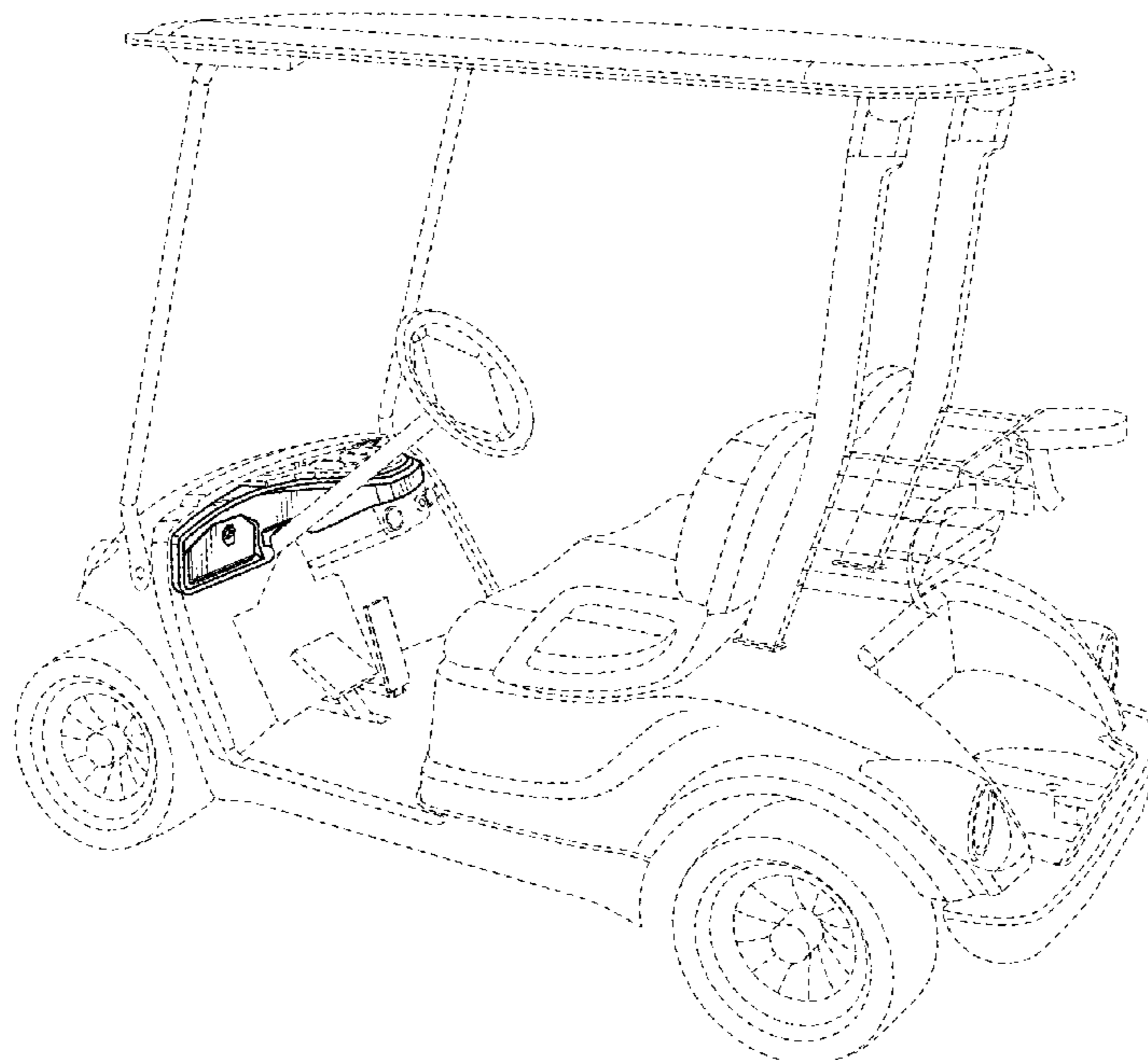
FIG. 1 is a left front perspective view of a golf cart dash cover, showing our new design.
FIG. 2 is a top, left, front perspective view thereof;
FIG. 3 is a front elevational view thereof;
FIG. 4 is a rear elevational view thereof;
FIG. 5 is a left-side elevational view thereof;
FIG. 6 is a right-side elevational view thereof;
FIG. 7 is a top plan view thereof; and,
FIG. 8 is a bottom plan view thereof.
The broken lines showing a golf cart in FIG. 1 illustrates environmental structure that forms no part of the claimed design.

(56) **References Cited**

U.S. PATENT DOCUMENTS

D53,630 S	7/1919	Goodwin	
D300,020 S *	2/1989	Petrilli	D12/192
D316,696 S	5/1991	Haag	
5,489,121 A *	2/1996	Mohr	B42D 17/00 108/44
6,582,002 B2	6/2003	Hogan	
7,270,363 B1	9/2007	Hanson	
D567,727 S *	4/2008	Kawaguchi	D12/192
D571,689 S	6/2008	Andrews	
D588,957 S *	3/2009	Tuo	D12/16
D591,659 S *	5/2009	Dubanowski	D12/192
D604,201 S *	11/2009	Kawaguchi	D12/14
D624,849 S *	10/2010	Ball	D12/16

1 Claim, 5 Drawing Sheets



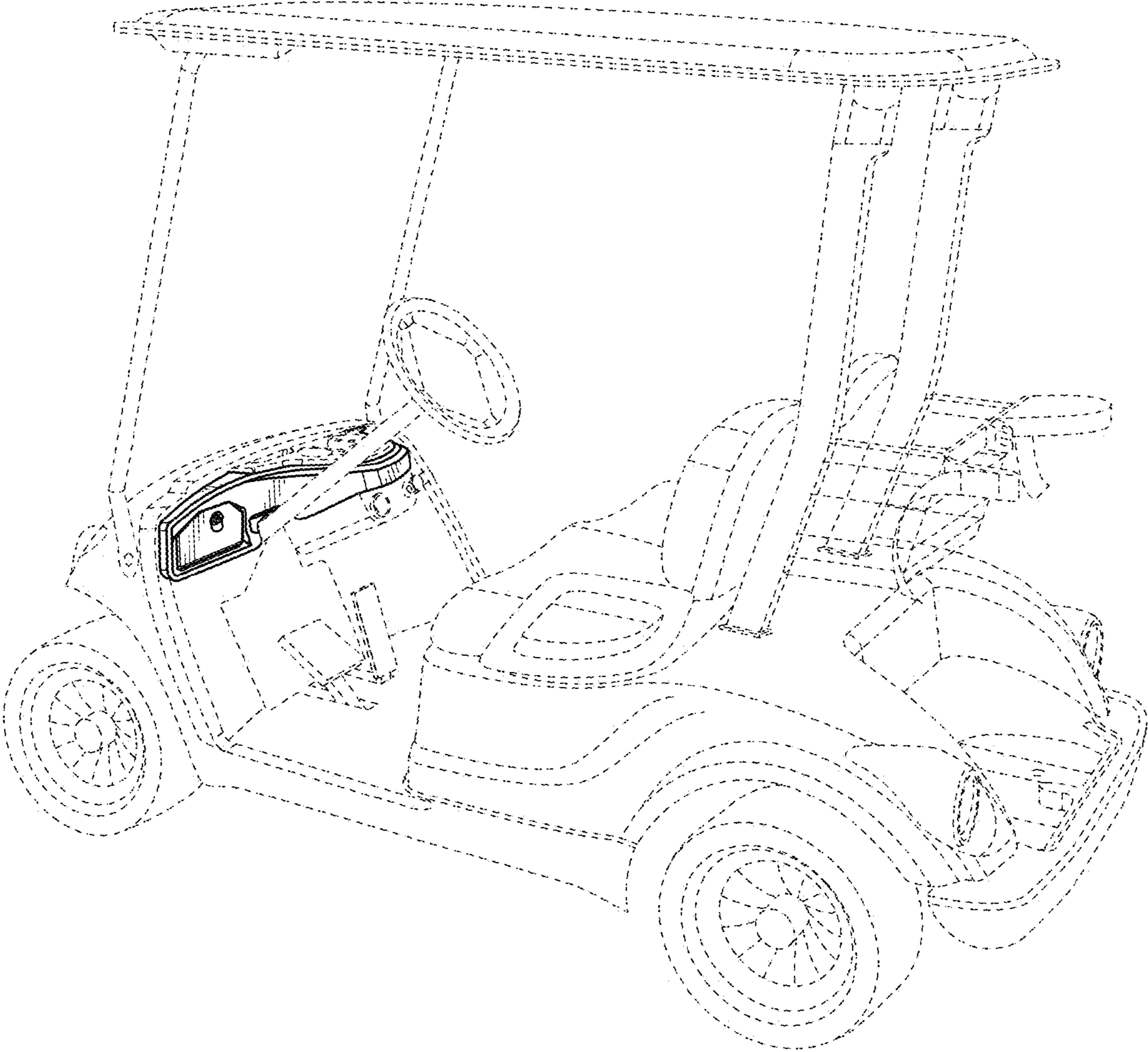


FIG. 1

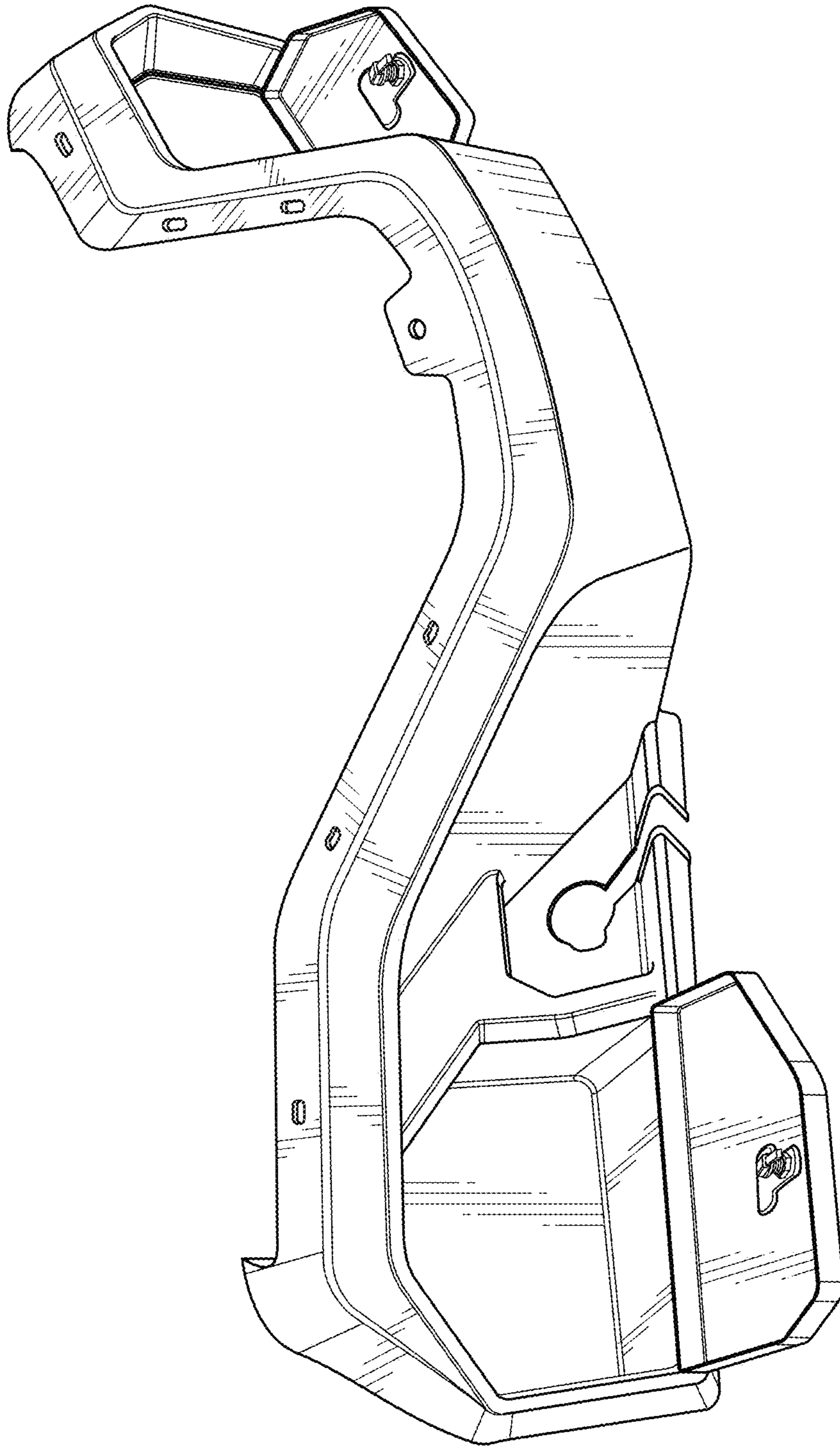


FIG. 2

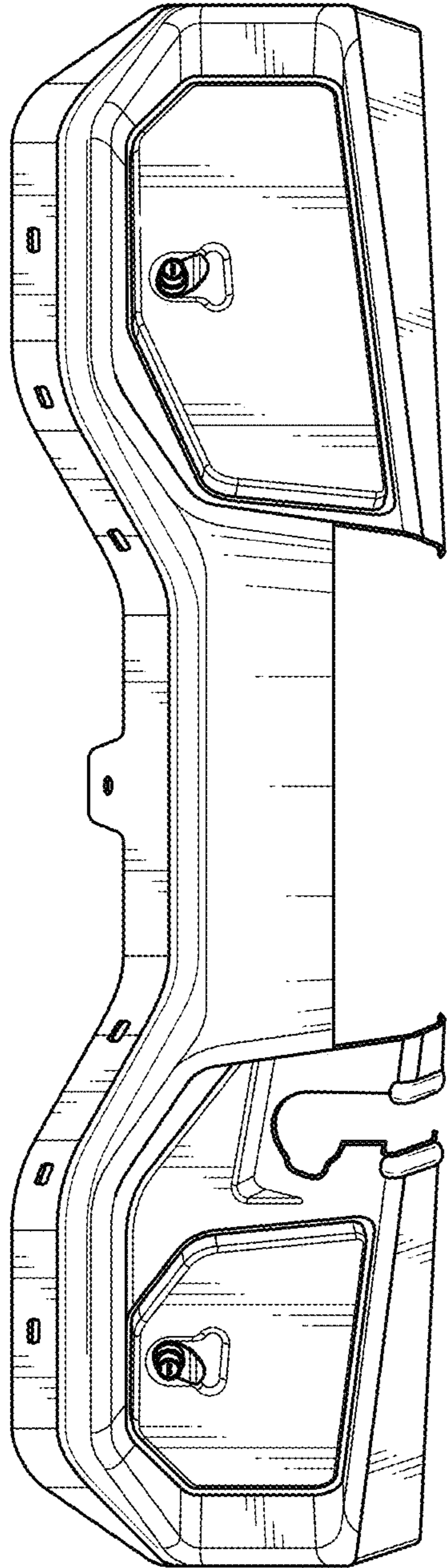


FIG. 3

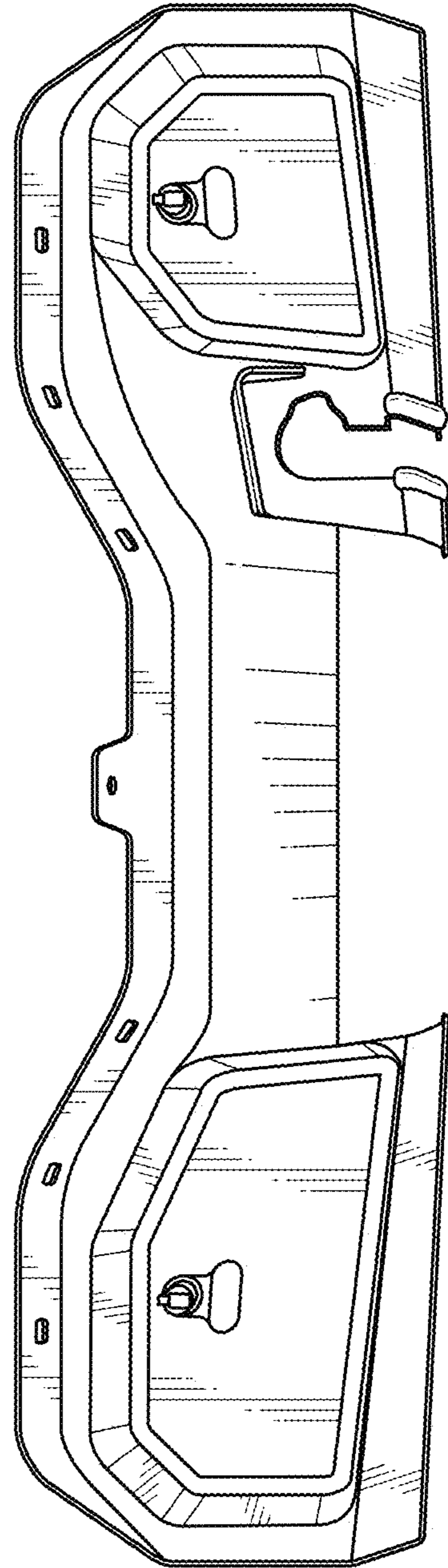


FIG. 4

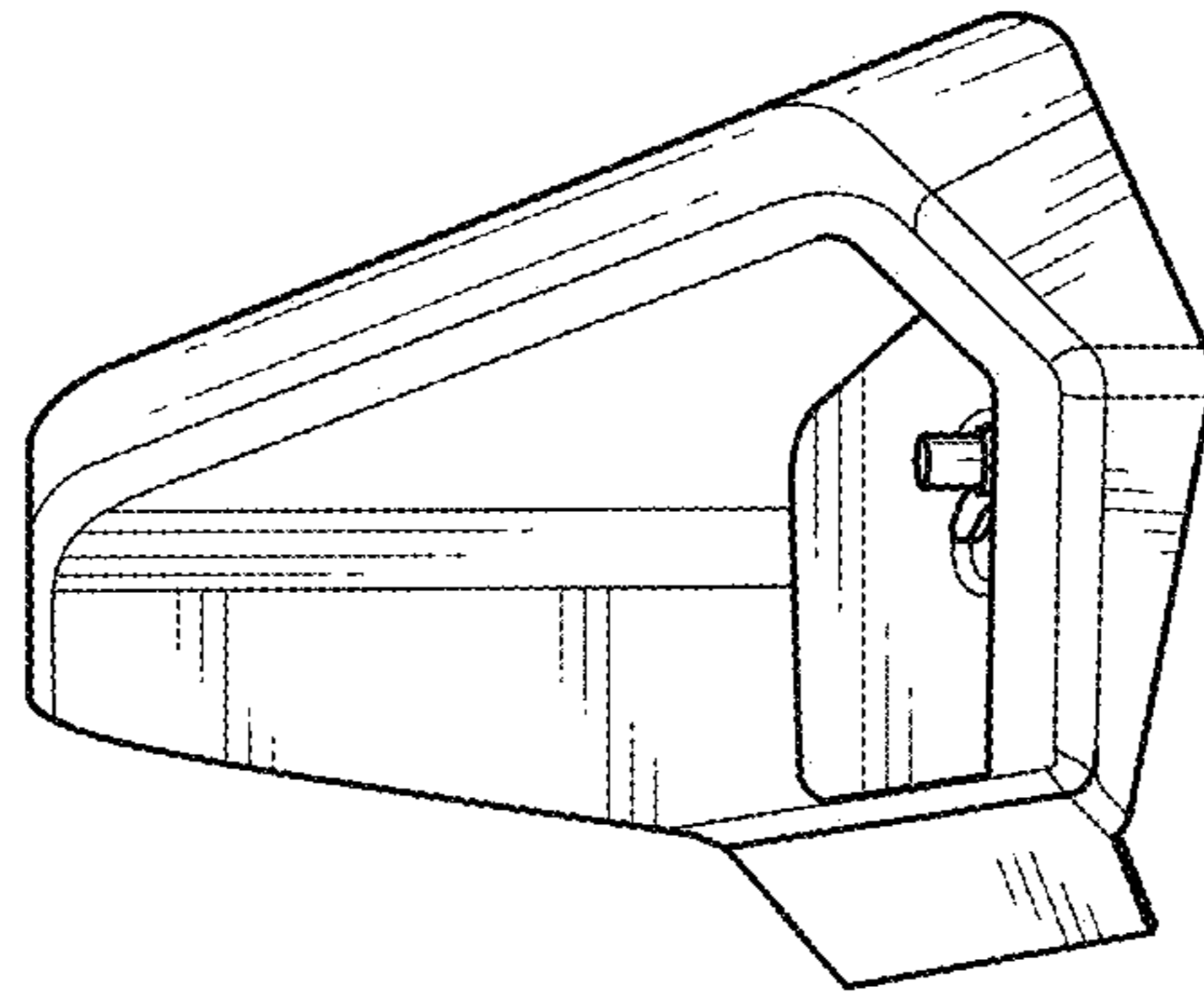


FIG. 5

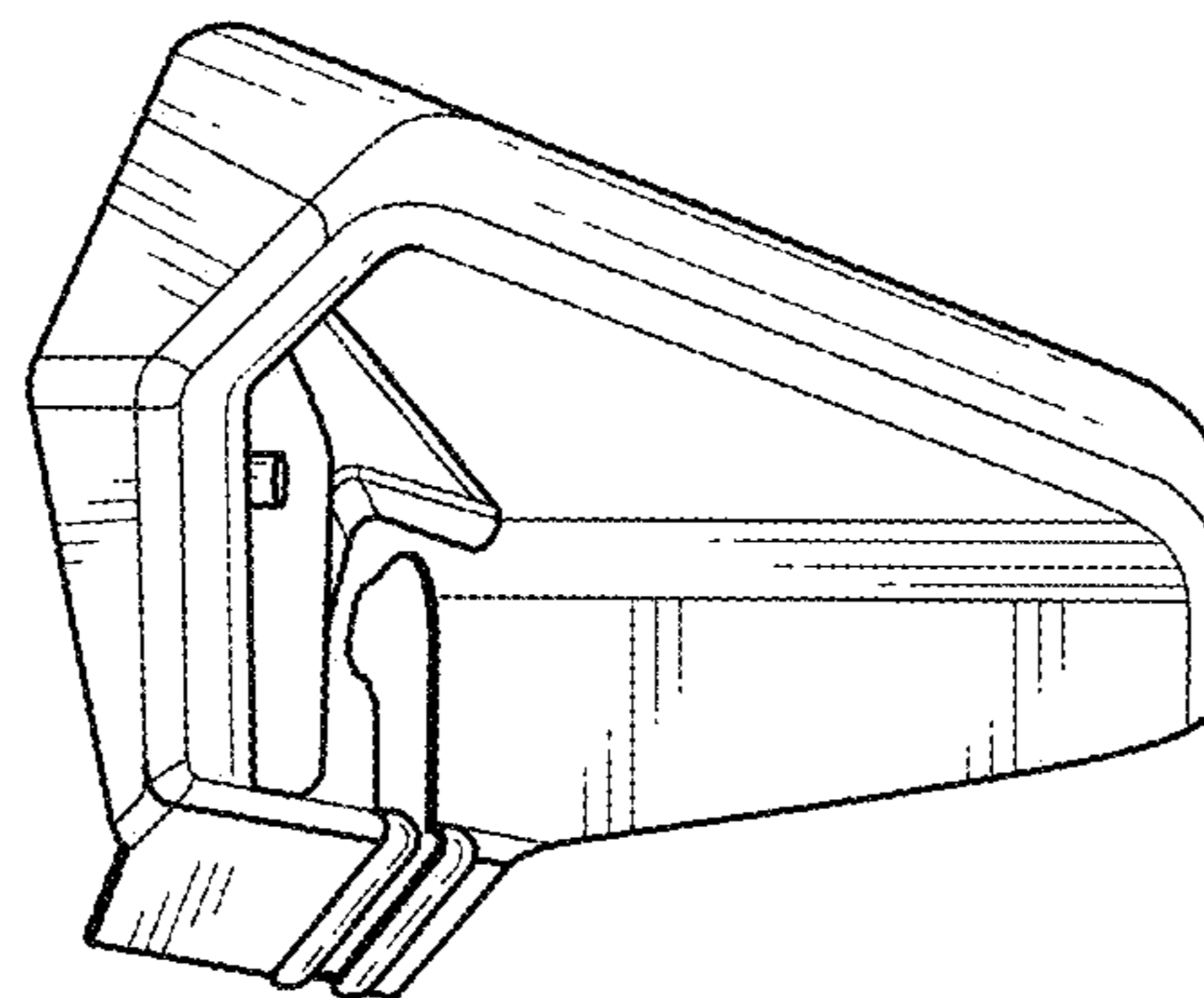


FIG. 6

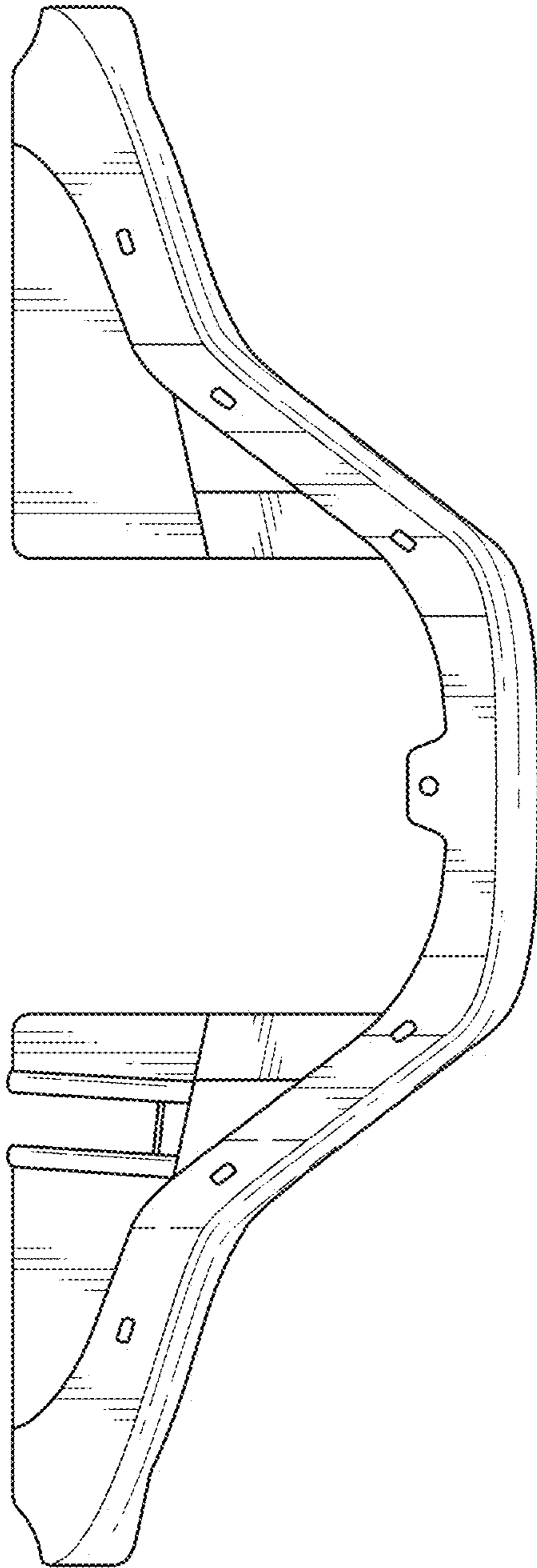


FIG. 7

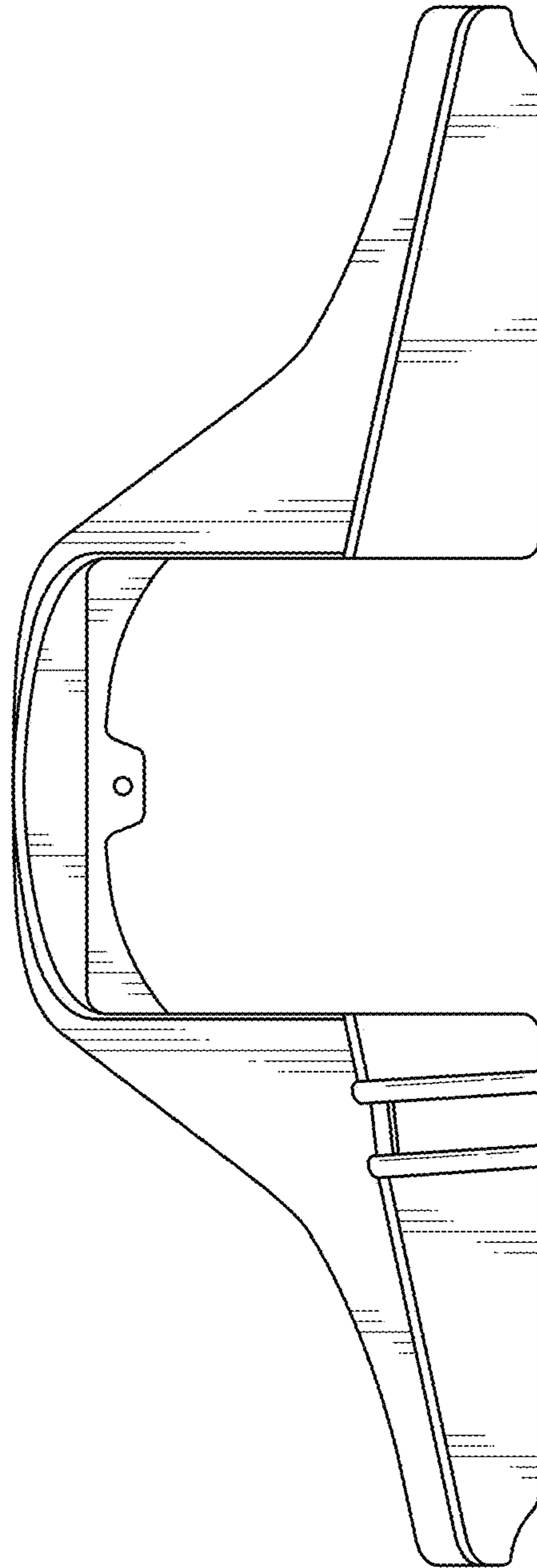


FIG. 8