



US00D879660S

(12) **United States Design Patent** (10) **Patent No.:** **US D879,660 S**
Stone (45) **Date of Patent:** **** Mar. 31, 2020**

(54) **ZIPPER PULL**

OTHER PUBLICATIONS

(71) Applicant: **Sophia Stone**, Palm Beach Gardens, FL (US)

Keyhole_14K_Gold_Turquoise_And_Garnet_Earrings (available online) Retrieved from the internet Nov. 18, 2019 from URL: https://www.modaoperandi.com/scosha-ss19/keyhole-14k-gold-turquoise-and-garnet-earrings?size=OS#zoom.*

(72) Inventor: **Sophia Stone**, Palm Beach Gardens, FL (US)

Rare Vintage Stanhope Sterling Keyhole Charm (available online) Retrieved from the internet Nov. 18, 2019 from URL: https://www.rubylane.com/item/728022-14311/Vintage-STANHOPE-Sterling-Keyhole-Charm-Girls.*

(**) Term: **15 Years**

* cited by examiner

(21) Appl. No.: **29/635,335**

(22) Filed: **Jan. 30, 2018**

Primary Examiner — Kevin K Rudzinski

(51) **LOC (12) Cl.** **02-07**

Assistant Examiner — Richard Kearney

(52) **U.S. Cl.**

(74) *Attorney, Agent, or Firm* — Ingram IP Law, P.A.

USPC **D11/221**; D11/79

(58) **Field of Classification Search**

(57) **CLAIM**

USPC D2/639, 705, 828, 853, 911, 946, 976;
D3/252, 285, 298, 301, 318, 324;
D8/310, 352, 367; D11/1, 43, 60, 79, 80,
D11/86, 97, 200, 201, 221; D20/22, 28;
D29/122

I claim the ornamental design for a zipper pull, as shown and described.

CPC A44B 19/00; A44B 19/02; A44B 19/04;
A44B 19/06; A44B 19/08; A44B 19/10;
A44B 19/24; A44B 19/26; A44B 19/28;
A44B 19/30; A44B 19/262; A44B
19/386; A44B 19/388

DESCRIPTION

See application file for complete search history.

FIG. 1 is a perspective view of a zipper pull showing my new design;

(56) **References Cited**

U.S. PATENT DOCUMENTS

D36,987 S *	6/1904	Abel	D11/76
D109,344 S *	4/1938	Stevens	D11/221
D143,135 S *	12/1945	Cole	D11/43
D169,138 S *	3/1953	Gorth	D11/221
D264,270 S *	5/1982	Brinley	D11/221
D324,662 S *	3/1992	Yuki	D11/200
D392,912 S *	3/1998	Roos	D11/48
D851,403 S *	6/2019	Stone	D3/318
D856,679 S *	8/2019	Stone	D3/318
D862,887 S *	10/2019	Stone	D3/318

FIG. 2 is a front view thereof;

FIG. 3 is a rear view thereof;

FIG. 4 is a right side view thereof;

FIG. 5 is a left side view thereof;

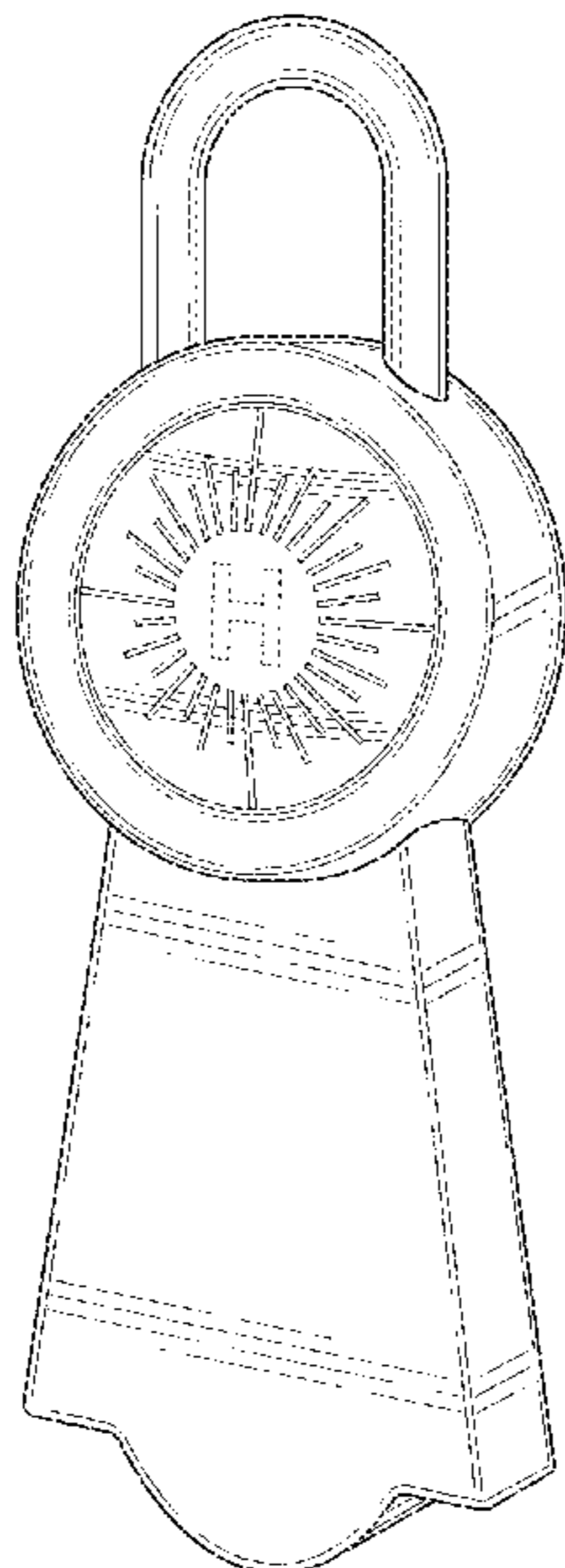
FIG. 6 is a top view thereof;

FIG. 7 is a bottom view thereof;

FIG. 8 is a cross-sectional view thereof taken along line 8-8 shown in FIG. 6; and,
FIG. 9 is a perspective view of the zipper pull illustrating my new design in the environment of a handbag.

Broken lines are used to illustrate environment and unclaimed portions of the zipper pull.
Broken lines, and any boundary created thereby, form no part of the claimed design.

1 Claim, 7 Drawing Sheets



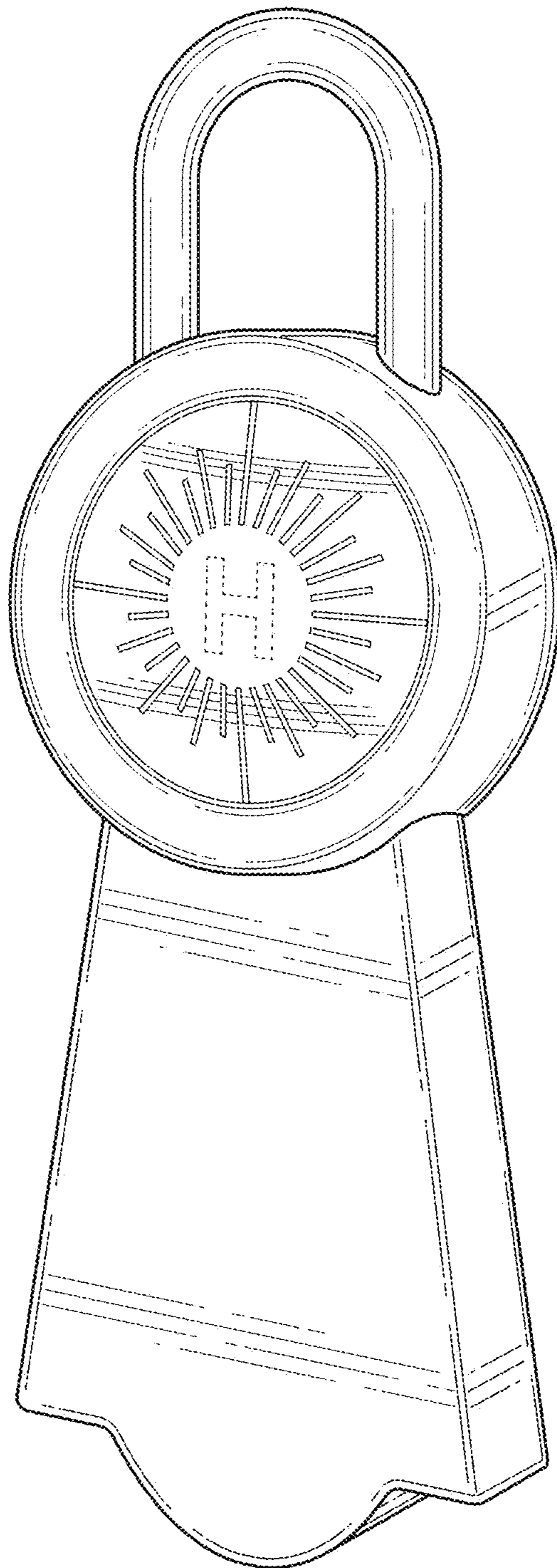


FIG. 1

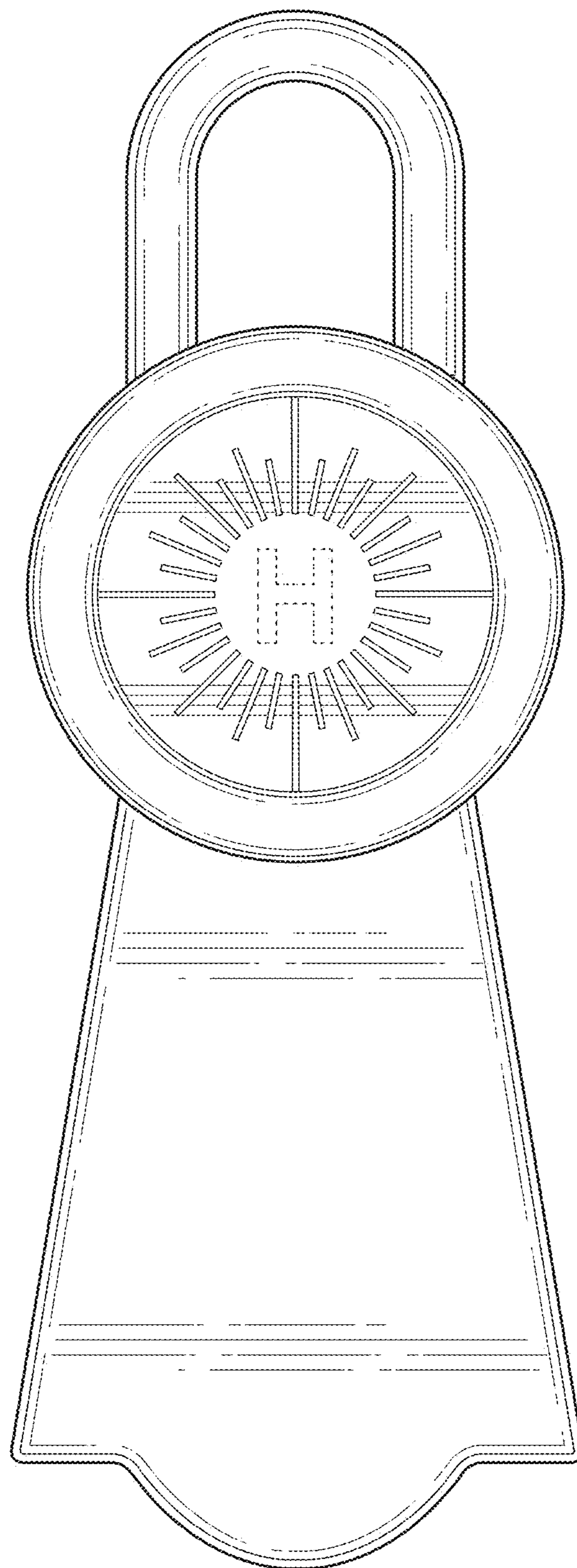


FIG. 2

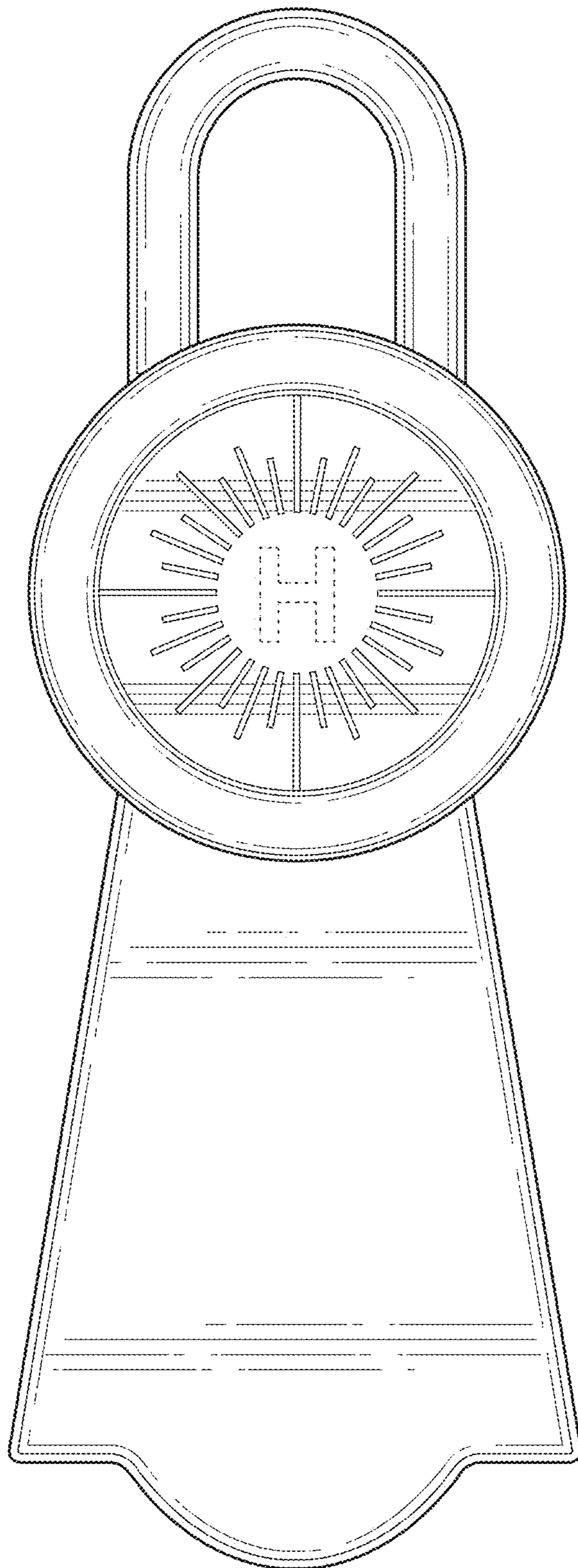


FIG. 3

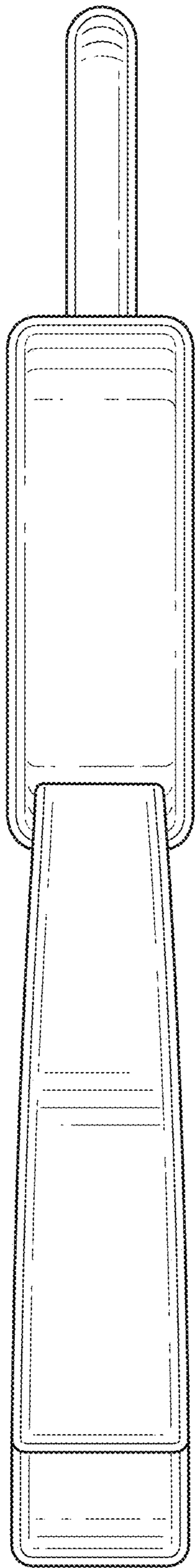


FIG. 4

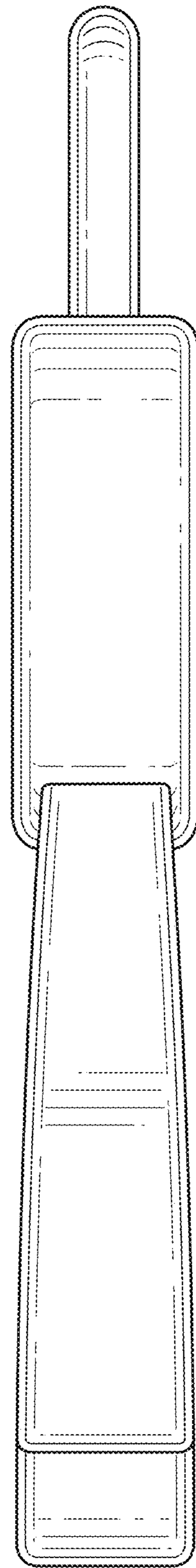


FIG. 5

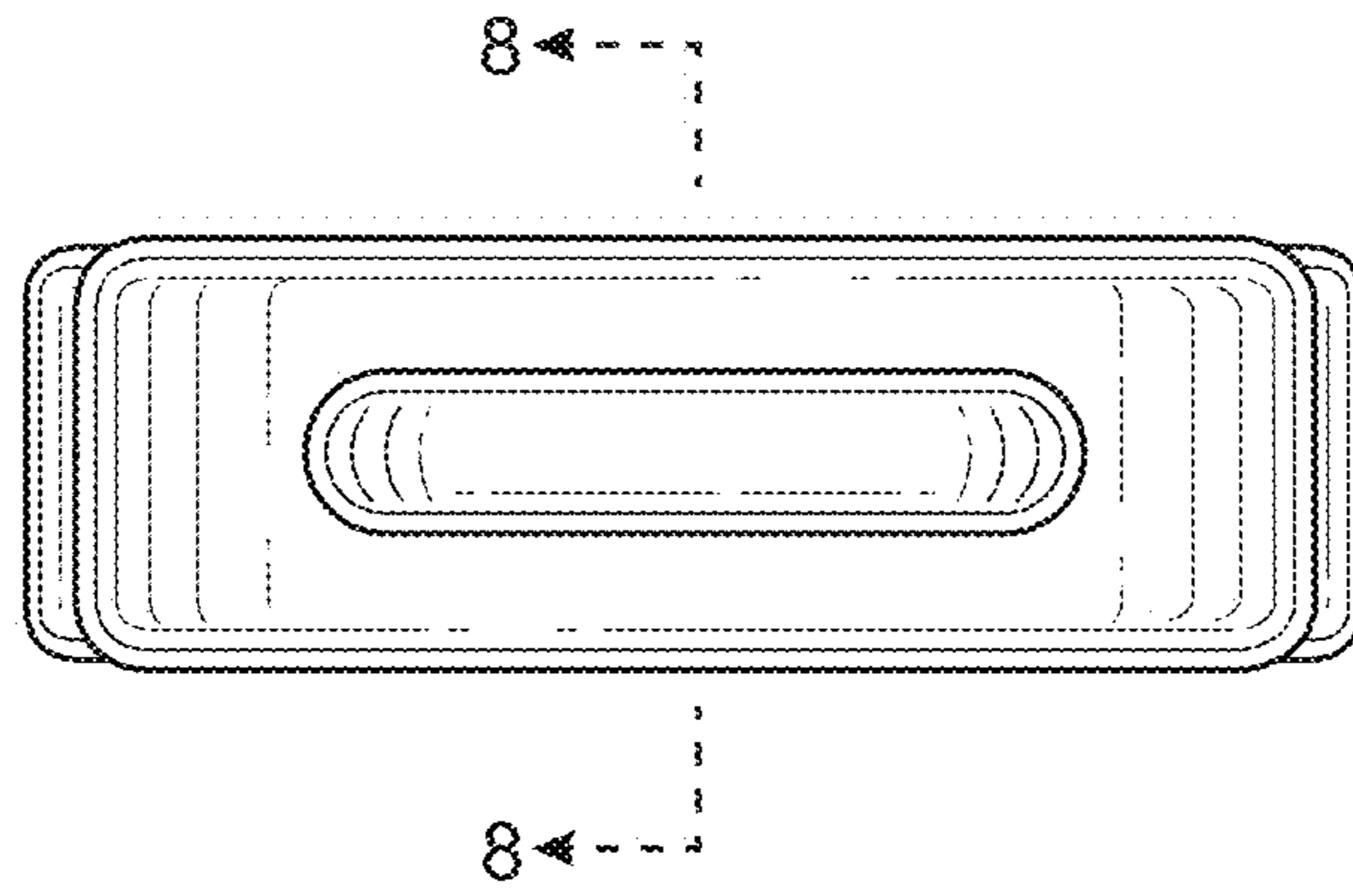


FIG. 6

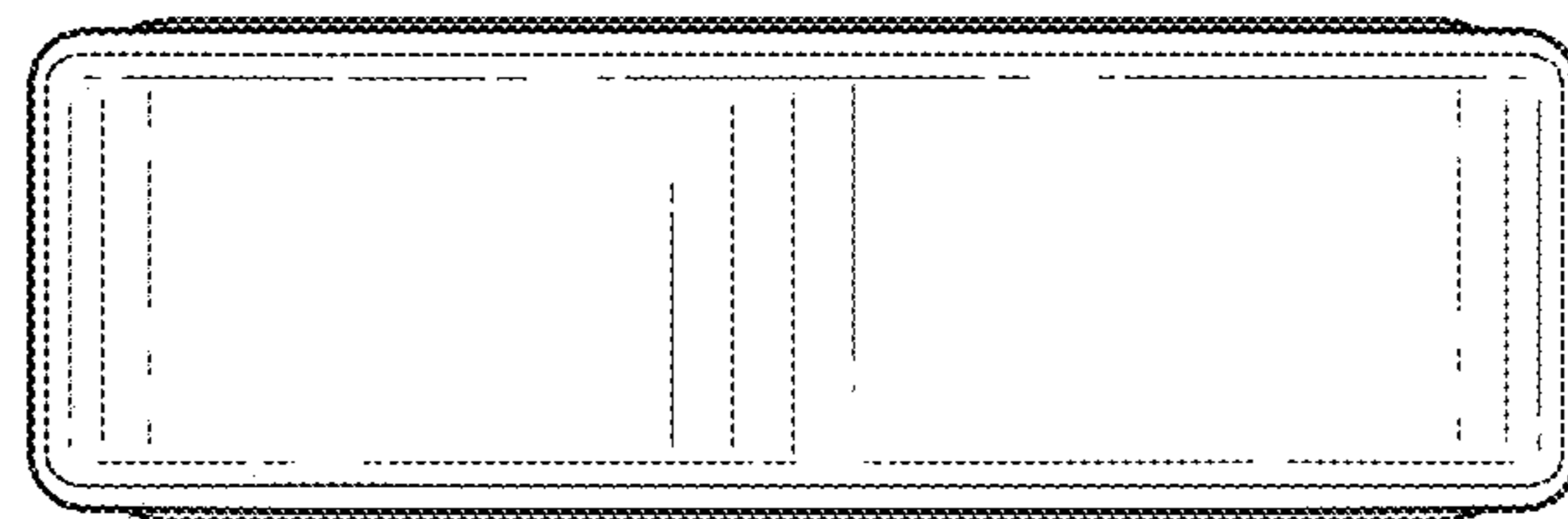


FIG. 7

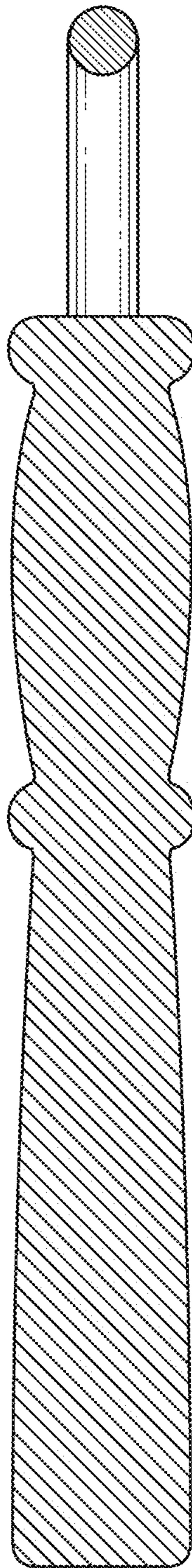


FIG. 8

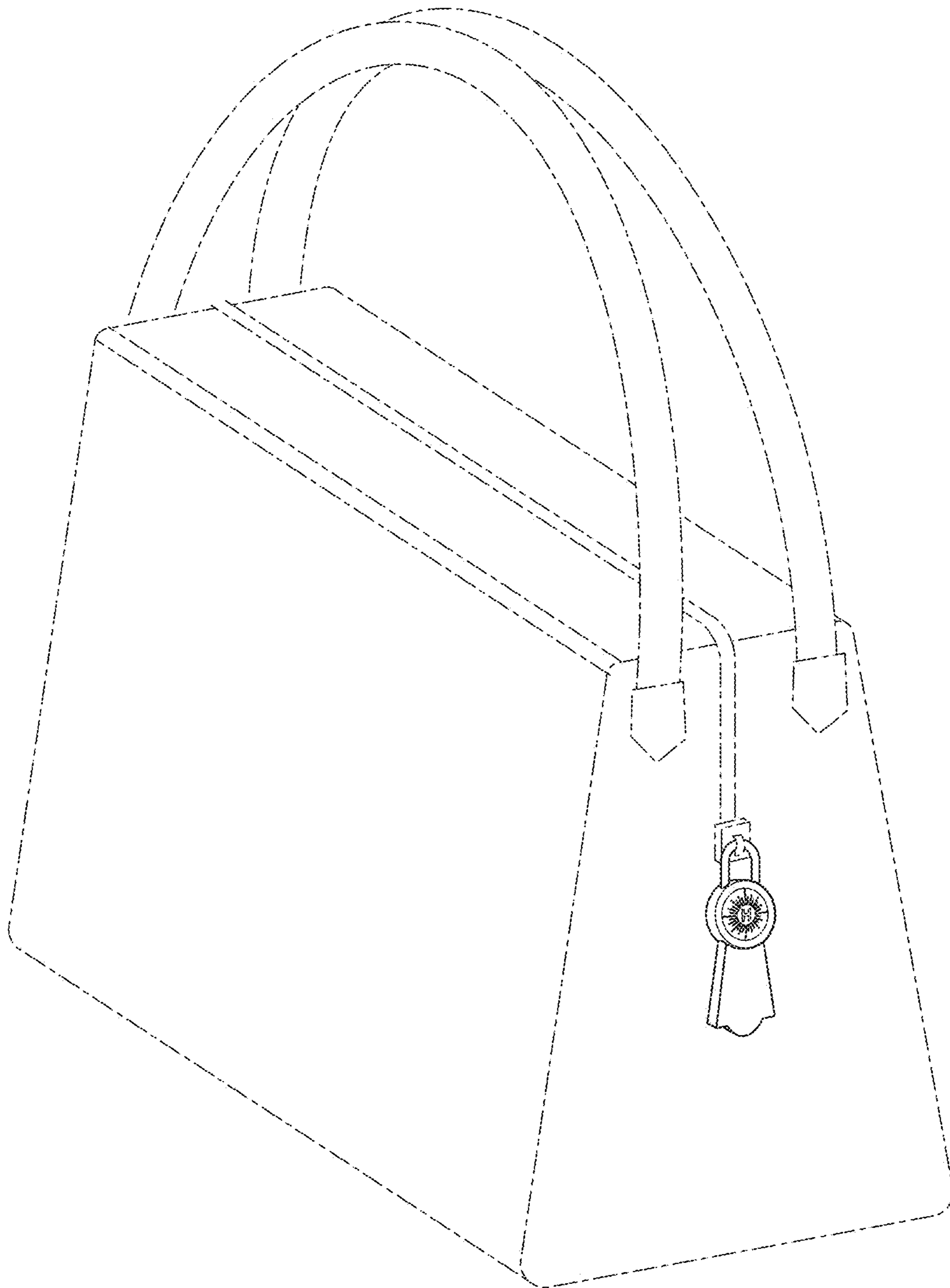


FIG. 9