



US00D879659S

(12) **United States Design Patent**
Deng

(10) **Patent No.:** **US D879,659 S**

(45) **Date of Patent:** **** Mar. 31, 2020**

(54) **STRAP BUCKLE**

(71) Applicant: **SHENZHEN BAILINNIAO TECHNOLOGY CO., LTD.**, Shenzhen (CN)

(72) Inventor: **JianJie Deng**, Guilin (CN)

(73) Assignee: **SHENZHEN BAILINNIAO TECHNOLOGY CO., LTD.**, Shenzhen (CN)

(**) Term: **15 Years**

(21) Appl. No.: **29/709,902**

(22) Filed: **Oct. 18, 2019**

(51) **LOC (12) Cl.** **02-07**

(52) **U.S. Cl.**
USPC **D11/218**

(58) **Field of Classification Search**
USPC D11/200, 201, 208, 212, 215, 216, 218, D11/219, 220, 221, 86, 87, 93, 94; D8/383, 382, 499
CPC A44C 23/00; A44C 5/18; A44C 5/185; A44C 5/2066; A44C 5/2042; A44C 5/2057; A44C 5/2071; A44D 2200/10; A44D 2201/02; A44D 2201/10; A44D 2201/12; A44D 2201/14; A44D 2201/16; A44D 2201/30; A44D 2201/32; A44D 2201/34; A44D 2201/36; A44D 2203/00; A44D 2205/00
See application file for complete search history.

(56) **References Cited**

U.S. PATENT DOCUMENTS

D300,614 S * 4/1989 Geldwerth D11/216
D370,192 S * 5/1996 Viktorsson D11/216

D385,825 S * 11/1997 Johnson, III D11/200
D479,812 S 9/2003 Calvani
D508,872 S * 8/2005 Hoepfner D11/216
D595,184 S * 6/2009 Yoshiguchi D11/216
D619,928 S 7/2010 Letney
D670,586 S * 11/2012 Fetterly D10/74
D673,874 S * 1/2013 Long et al. D11/1
D705,123 S * 5/2014 Thompson D11/210
D721,986 S * 2/2015 Cerrato D11/94
D753,019 S * 4/2016 Chan D11/200
D782,362 S 3/2017 Sumroy et al.

* cited by examiner

Primary Examiner — Sheryl Lane

Assistant Examiner — Samantha N Wood

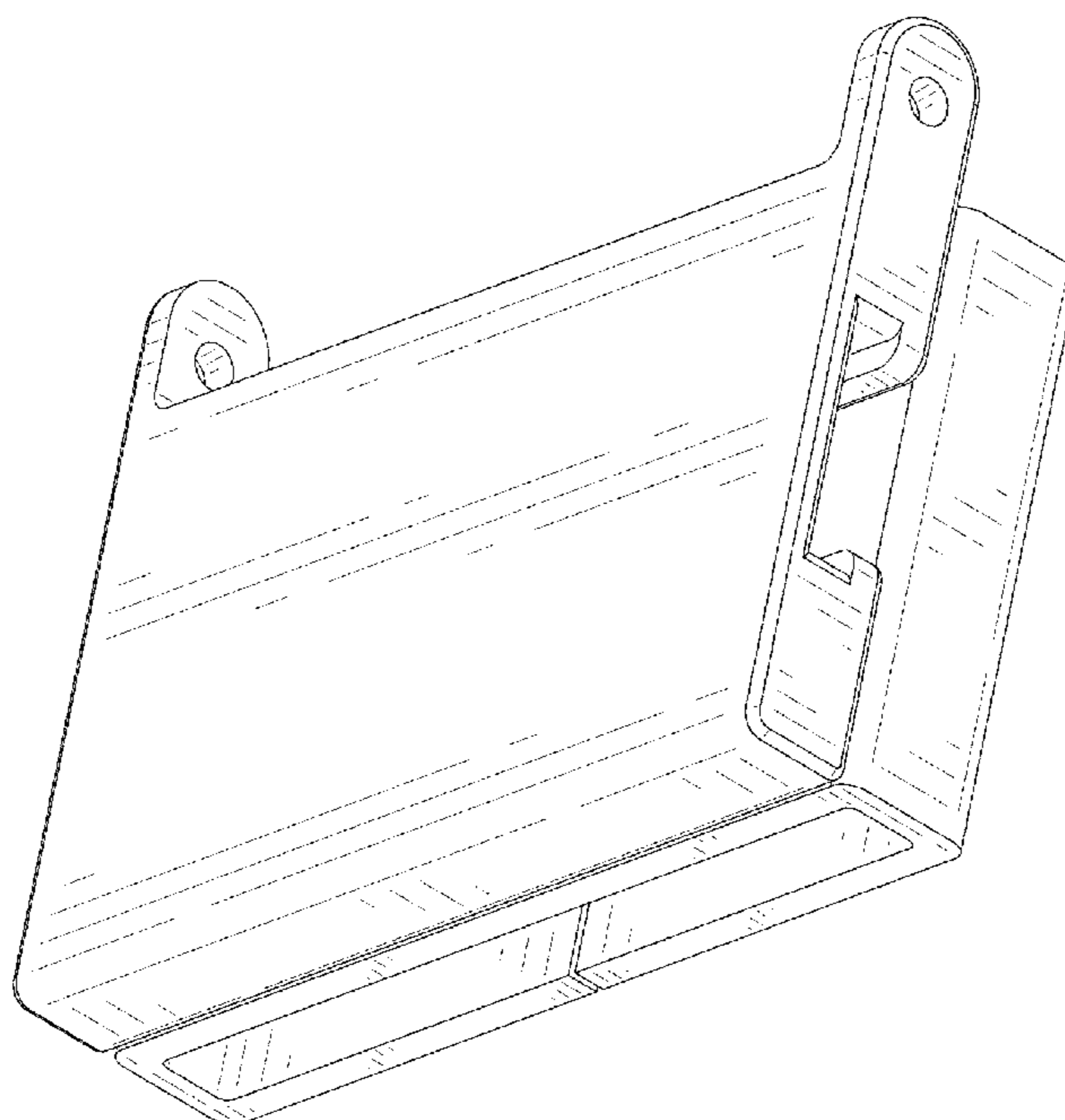
(57) **CLAIM**

The ornamental design for a strap buckle, as shown and described.

DESCRIPTION

FIG. 1 is a perspective view of a strap buckle showing my new design;
FIG. 2 is another perspective view thereof;
FIG. 3 is a front elevational view thereof;
FIG. 4 is a rear elevational view thereof;
FIG. 5 is a left side elevational view thereof;
FIG. 6 is a right side elevational view thereof;
FIG. 7 is a top plan view thereof;
FIG. 8 is a bottom plan view thereof; and,
FIG. 9 is a perspective view of the strap buckle where the strap buckle is in a configuration of use.
The broken lines in the drawings depict portions of the strap buckle that form no part of the claimed design.

1 Claim, 9 Drawing Sheets



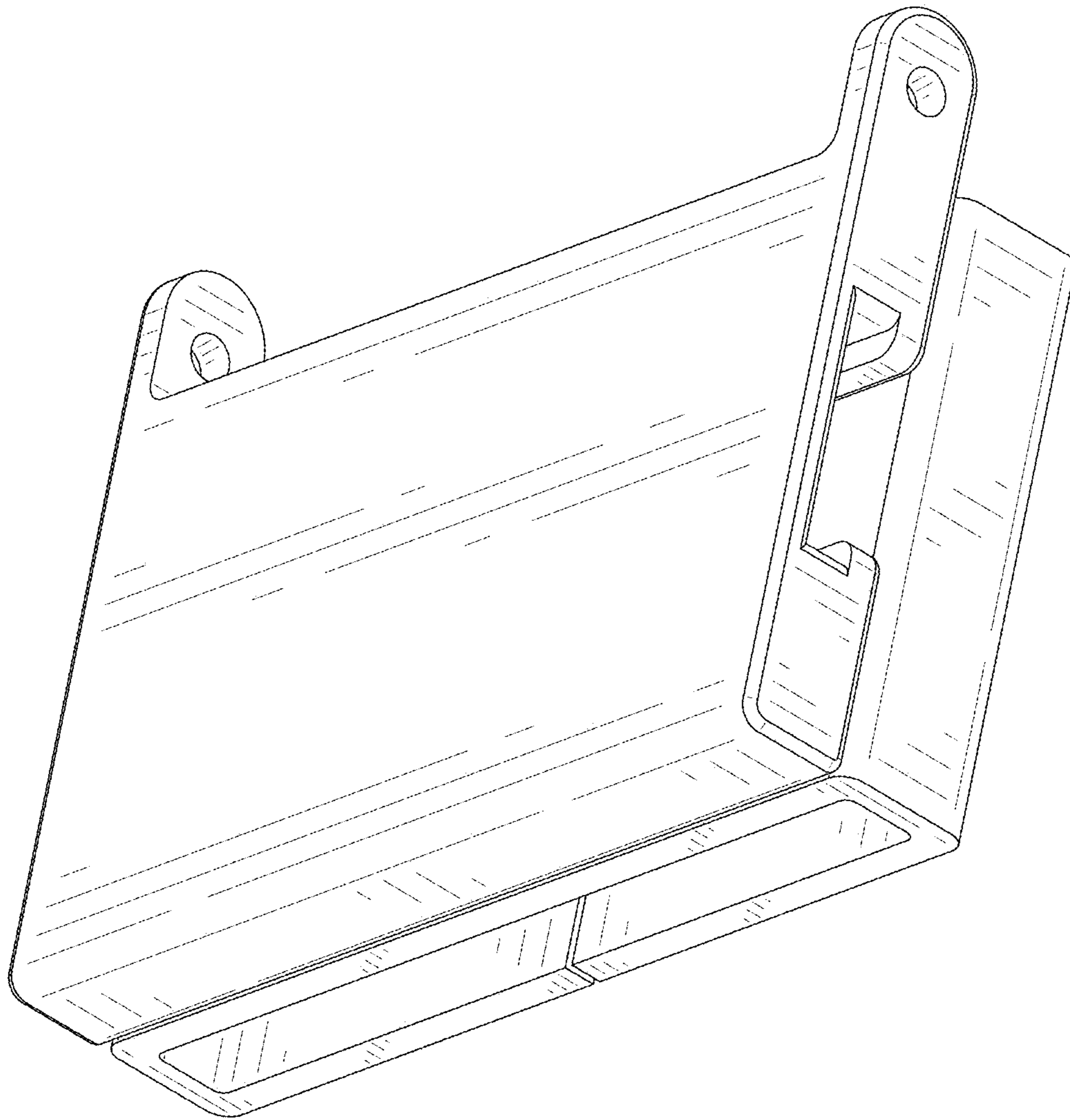


FIG. 1

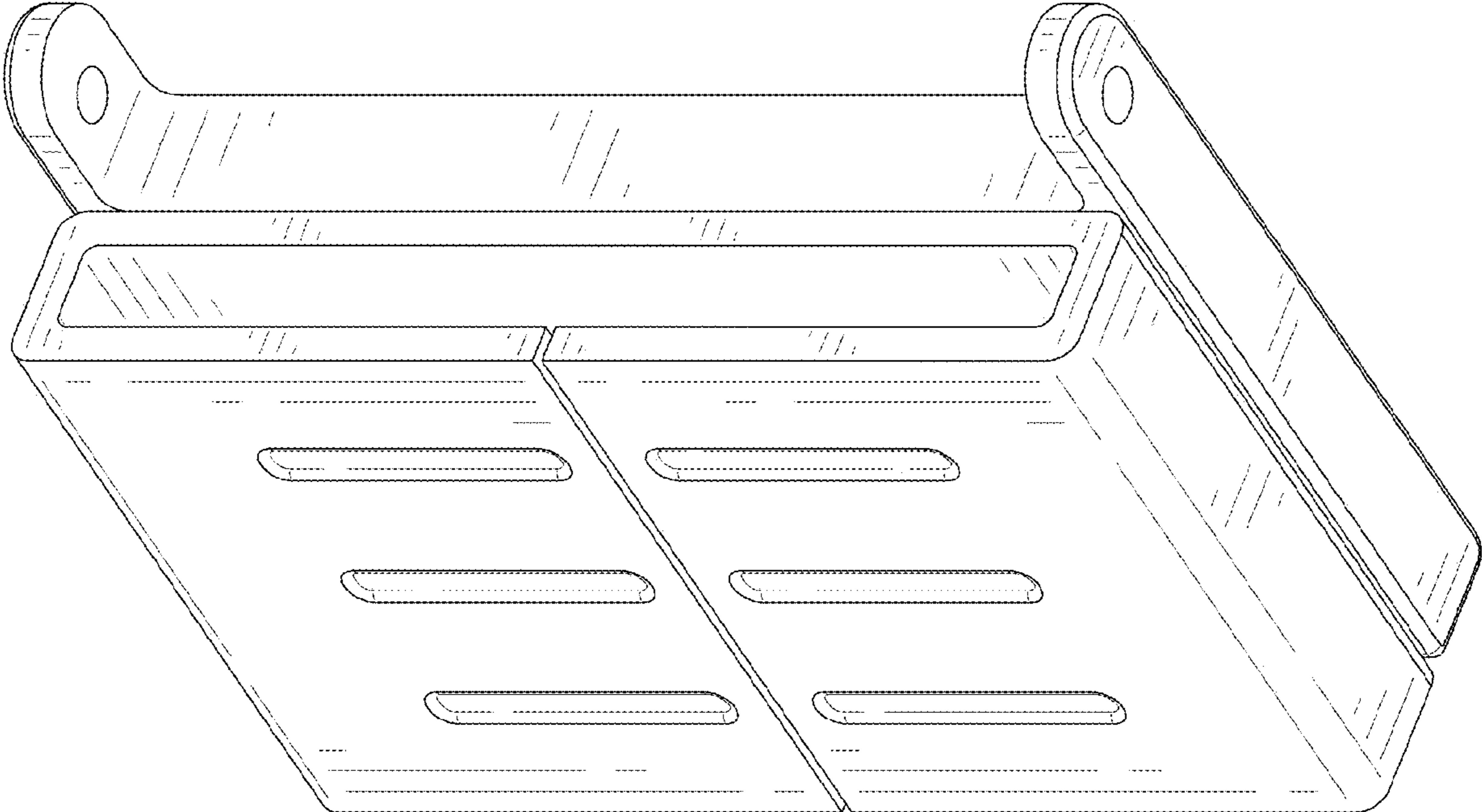


FIG. 2



FIG. 3

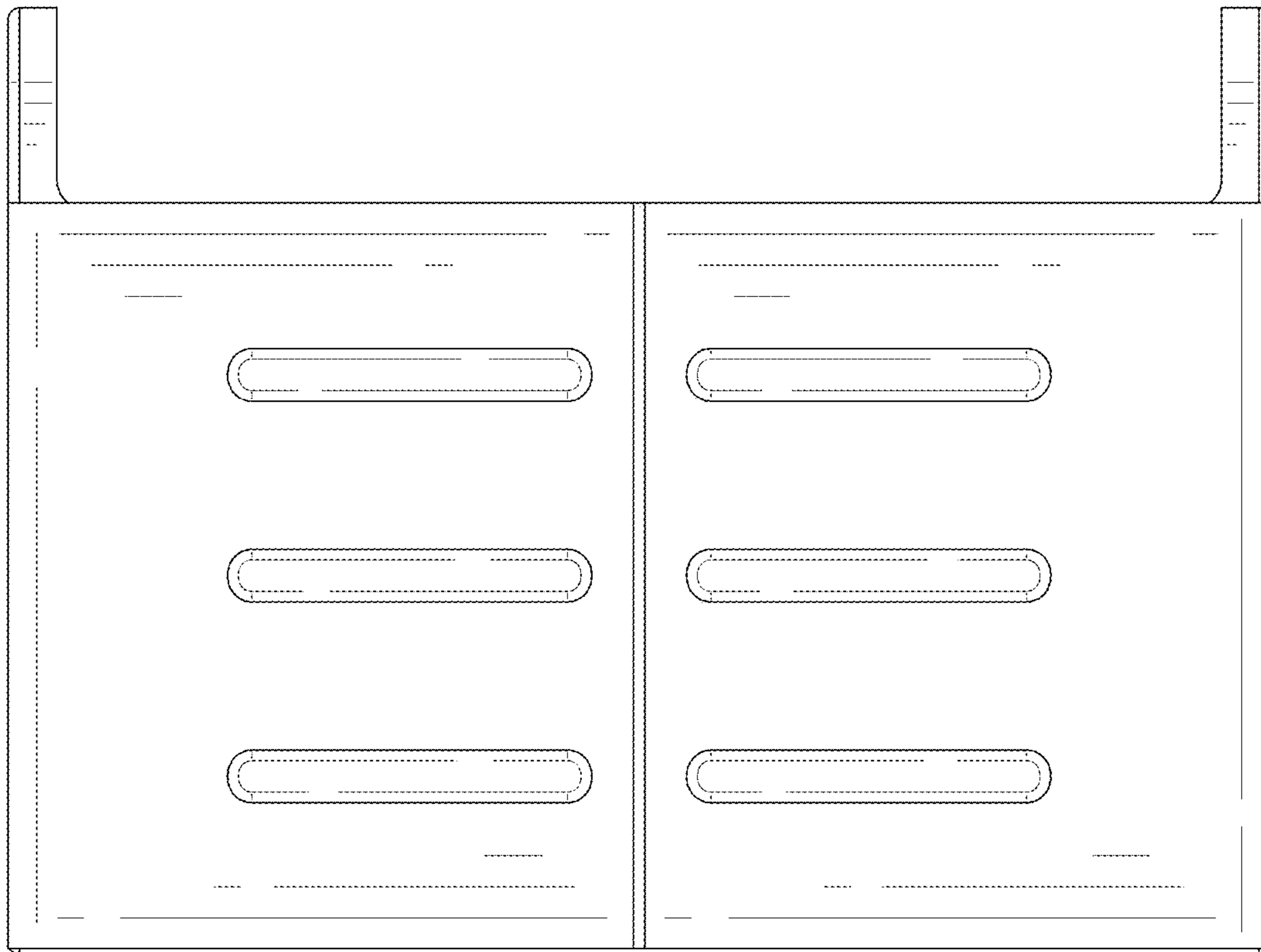


FIG. 4

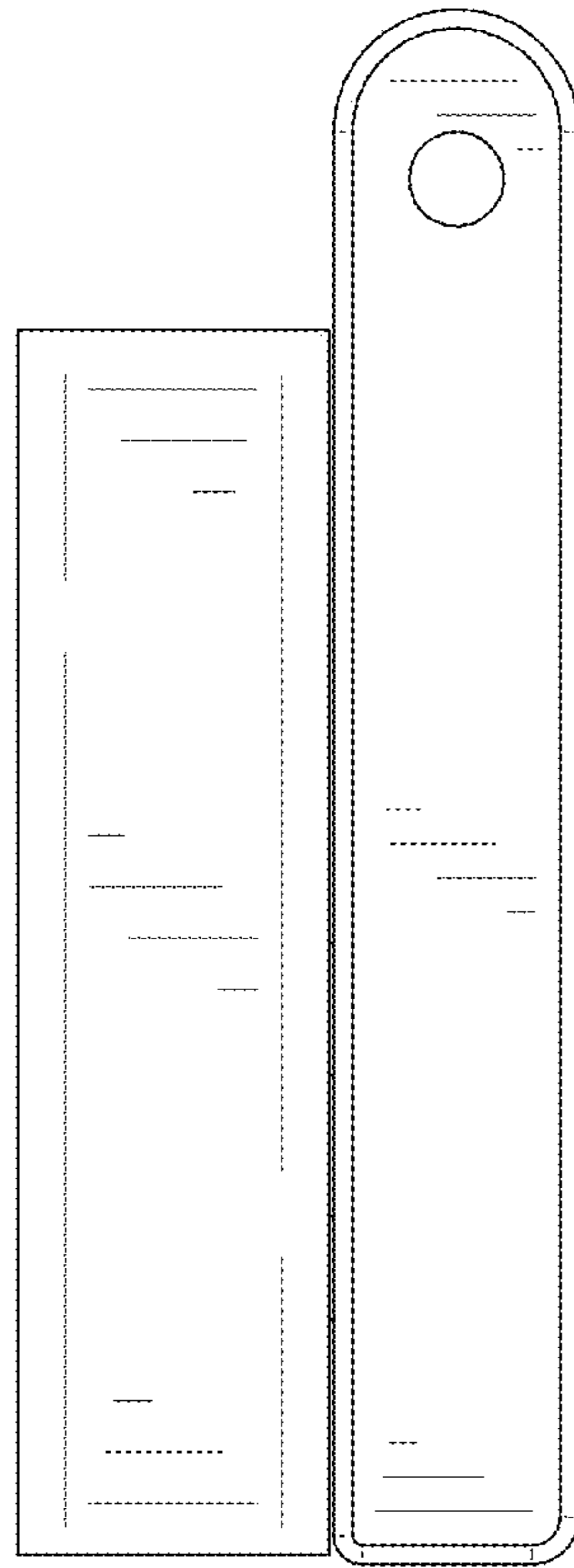


FIG. 5

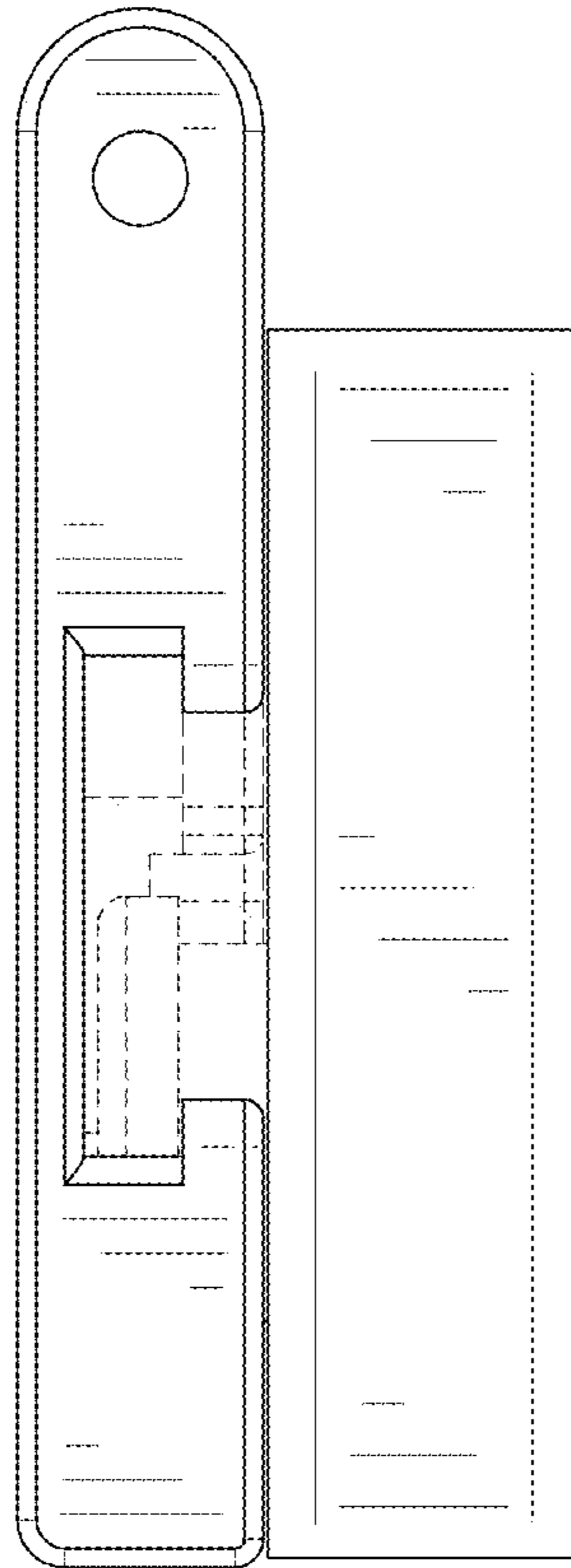


FIG. 6

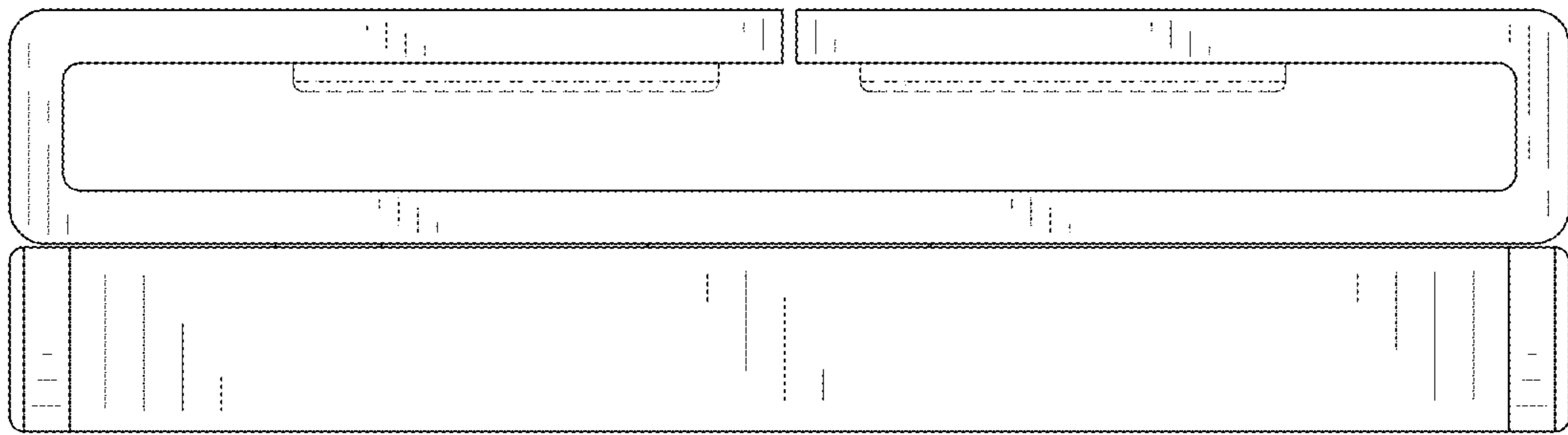


FIG. 7

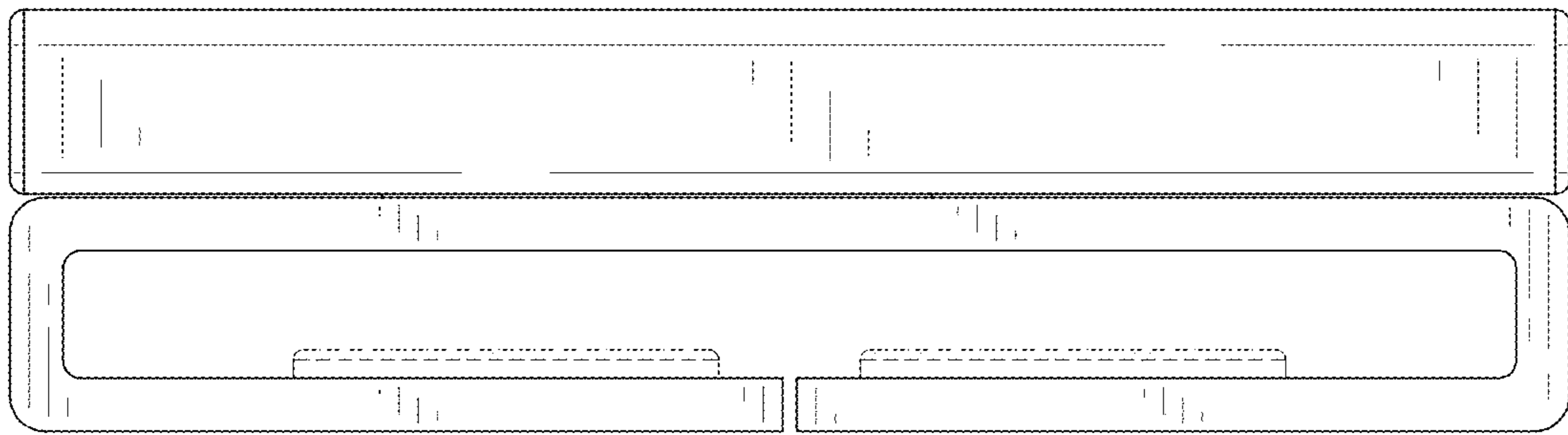


FIG. 8

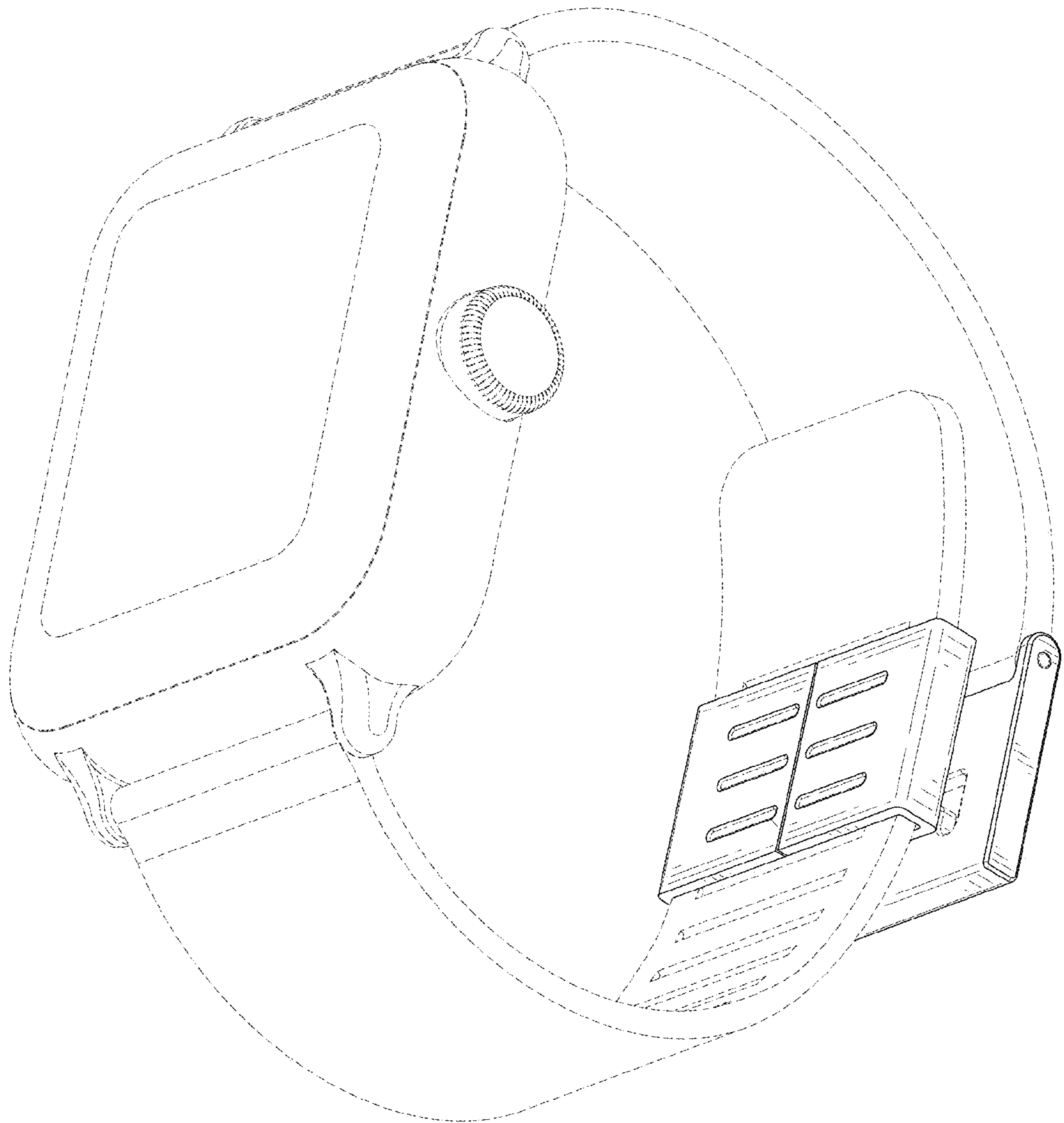


FIG. 9