



US00D879653S

(12) **United States Design Patent**
Deng

(10) **Patent No.:** **US D879,653 S**
(45) **Date of Patent:** **** Mar. 31, 2020**

- (54) **STRAP BUCKLE**
- (71) Applicant: **SHENZHEN BAILINNAO TECHNOLOGY CO., LTD.**, Shenzhen (CN)
- (72) Inventor: **Jianjie Deng**, Guilin (CN)
- (73) Assignee: **SHENZHEN BAILINNAO TECHNOLOGY CO., LTD.**, Shenzhen (CN)
- (**) Term: **15 Years**
- (21) Appl. No.: **29/709,897**
- (22) Filed: **Oct. 18, 2019**
- (51) **LOC (12) Cl.** **11-01**
- (52) **U.S. Cl.**
USPC **D11/94; D10/128**
- (58) **Field of Classification Search**
USPC D10/32, 128; D11/3, 5, 86–87, 94, D11/200–201, 210, 215–216, 218, 222, D11/230
CPC A44B 11/00; A44B 11/005; A44B 11/006; A44B 11/20; A44B 11/22; A44B 11/25; A44B 11/2553; A44B 11/226; A44C 5/12; A44C 5/14; A44C 5/18; A44C 5/185; A44C 5/20; A44C 5/22; A44C 5/246
See application file for complete search history.

- (56) **References Cited**
U.S. PATENT DOCUMENTS
D93,098 S * 8/1934 Furtsch D11/226
2,148,629 A * 2/1939 Levesque A44C 5/142
24/265 WS
3,422,507 A * 1/1969 Ikeda A44C 5/24
24/265 WS
D300,614 S * 4/1989 Geldwerth D11/216
D305,622 S * 1/1990 Wakamatsu D11/5
D412,864 S * 8/1999 Leung D11/226

- D479,812 S 9/2003 Calvani
- D585,331 S * 1/2009 Kumazaki D11/216
- D619,928 S 7/2010 Bodino et al.
- D640,593 S * 6/2011 Wanibuchi D11/226
- D660,138 S * 5/2012 Gallagher, Jr. D11/87
- 8,601,784 B2 * 12/2013 Kaltenrieder A44C 5/185
24/265 B
- D705,125 S * 5/2014 Green D11/222
- D721,986 S * 2/2015 Cerrato D11/94
- D722,530 S * 2/2015 de Sade D11/200
- D723,974 S * 3/2015 de Sade D11/200
- D724,469 S * 3/2015 Akana D11/3
- D729,652 S * 5/2015 Nuovo D10/32
- D761,687 S * 7/2016 Venturini Fendi D11/87
- D776,002 S * 1/2017 Schad D11/216
- D782,362 S 3/2017 Sumroy et al.
- D815,562 S * 4/2018 Schommer D11/200
- D816,540 S * 5/2018 Grunewald D11/87

(Continued)

Primary Examiner — Sandra S Snapp
Assistant Examiner — Katherine Glennon

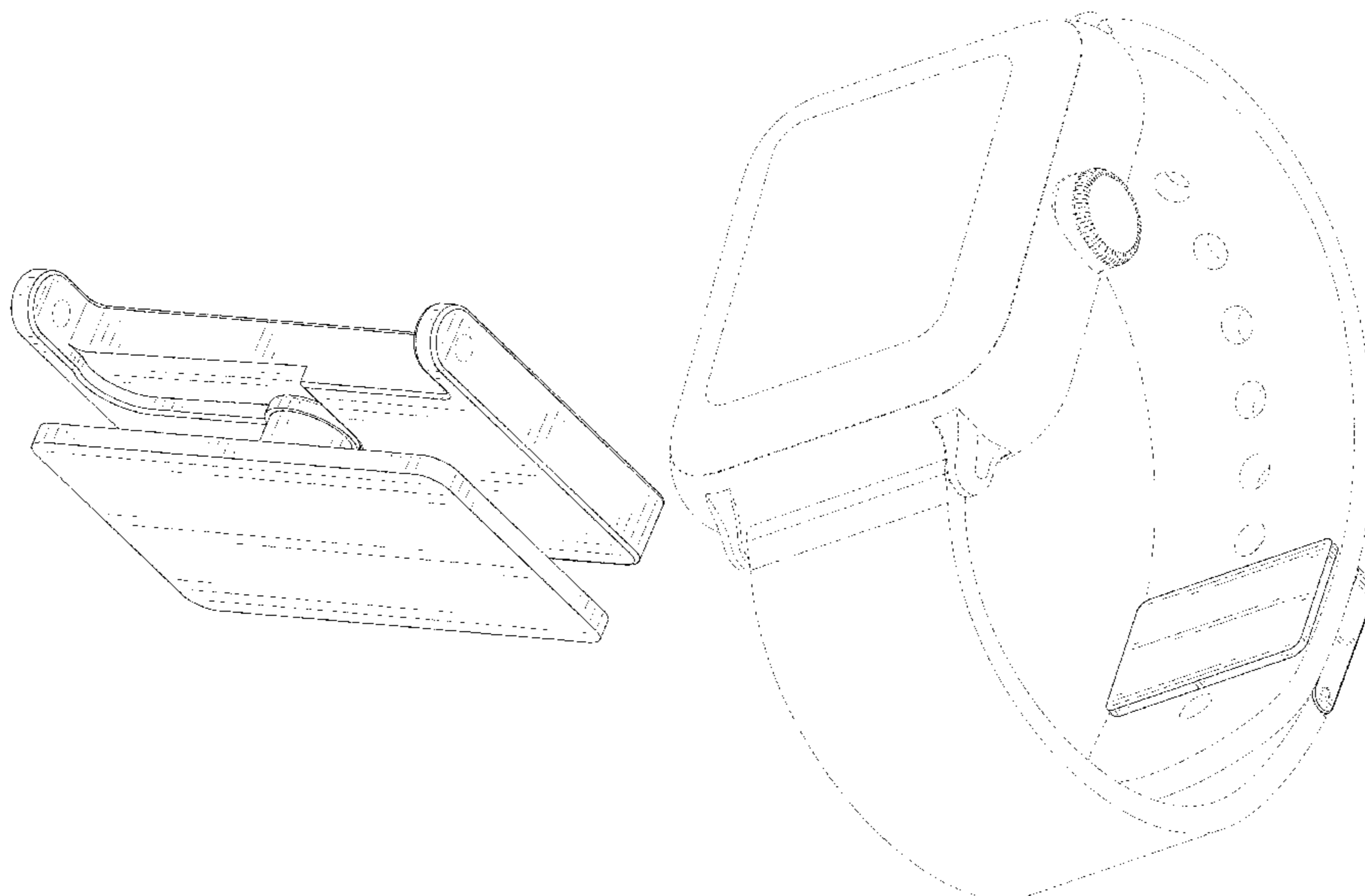
(57) **CLAIM**

The ornamental design for a strap buckle, as shown and described.

DESCRIPTION

FIG. 1 is a perspective view of a strap buckle showing my new design;
 FIG. 2 is another perspective view thereof;
 FIG. 3 is a front elevational view thereof;
 FIG. 4 is a rear elevational view thereof;
 FIG. 5 is a left side elevational view thereof;
 FIG. 6 is a right side elevational view thereof;
 FIG. 7 is a top plan view thereof;
 FIG. 8 is a bottom plan view thereof; and,
 FIG. 9 is a perspective view of the strap buckle where the strap buckle is in a configuration of use.
 The broken lines in the drawings depict portions of the strap buckle that form no part of the claimed design.

1 Claim, 9 Drawing Sheets



(56)

References Cited

U.S. PATENT DOCUMENTS

10,021,946 B2 * 7/2018 Kaneko A44B 11/258
D861,534 S * 10/2019 Paik D11/216
D868,616 S * 12/2019 Deng D11/94
D869,330 S * 12/2019 Wenger D11/216
D869,983 S * 12/2019 Deng D11/94
2010/0132164 A1 * 6/2010 Su A44B 11/005
24/3.11
2012/0297592 A1 * 11/2012 Schenk A44C 5/246
24/71 R
2014/0075723 A1 * 3/2014 Iten A44B 11/226
24/193
2016/0037879 A1 * 2/2016 Qian A44B 11/258
24/3.2
2016/0255916 A1 * 9/2016 Ozdowy A44B 11/005
2017/0273446 A1 * 9/2017 Zentil B25G 1/085
2017/0325549 A1 * 11/2017 Lo A44B 11/22
2018/0228252 A1 * 8/2018 Hsu A44B 11/00

* cited by examiner

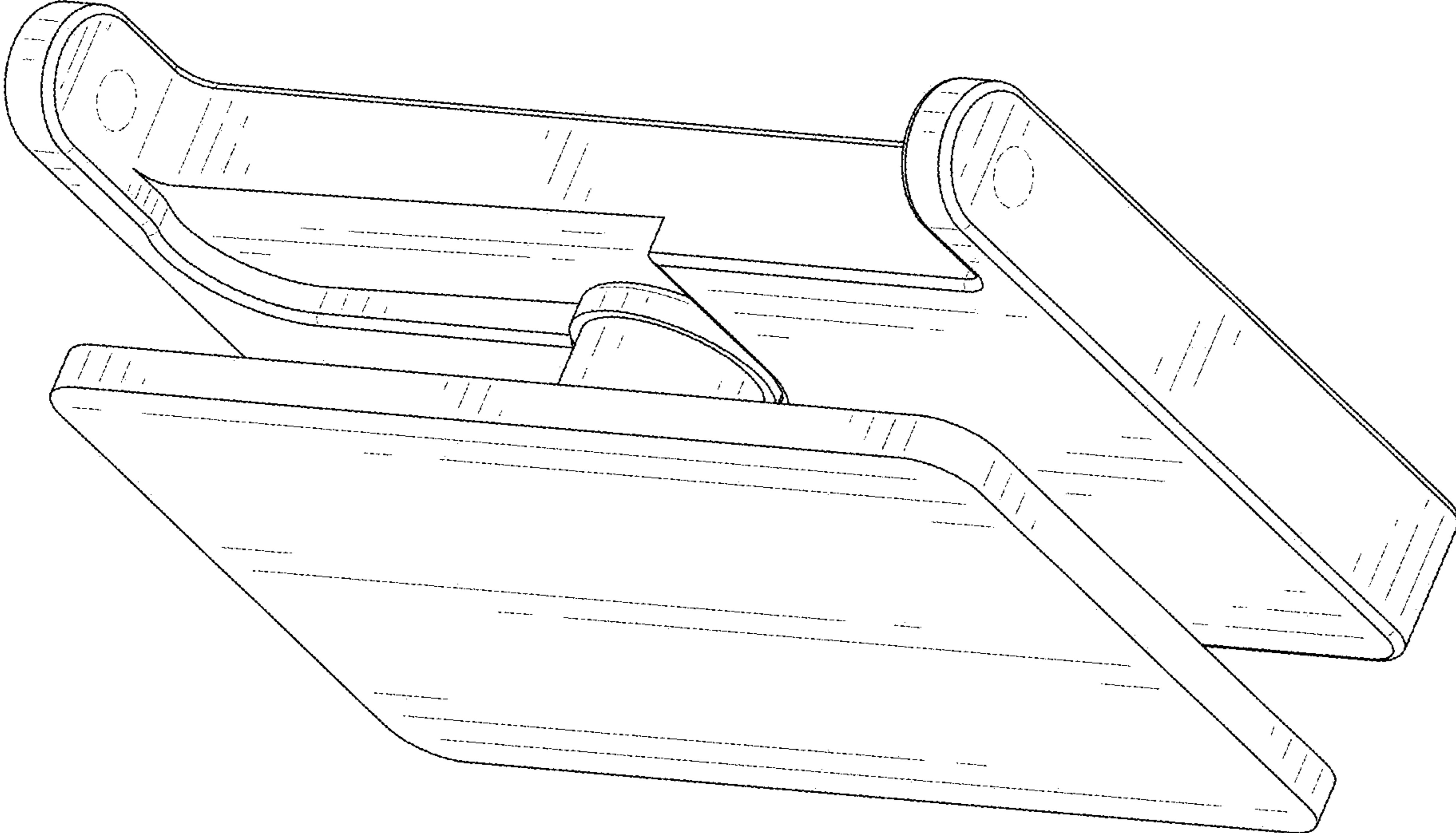


FIG. 1

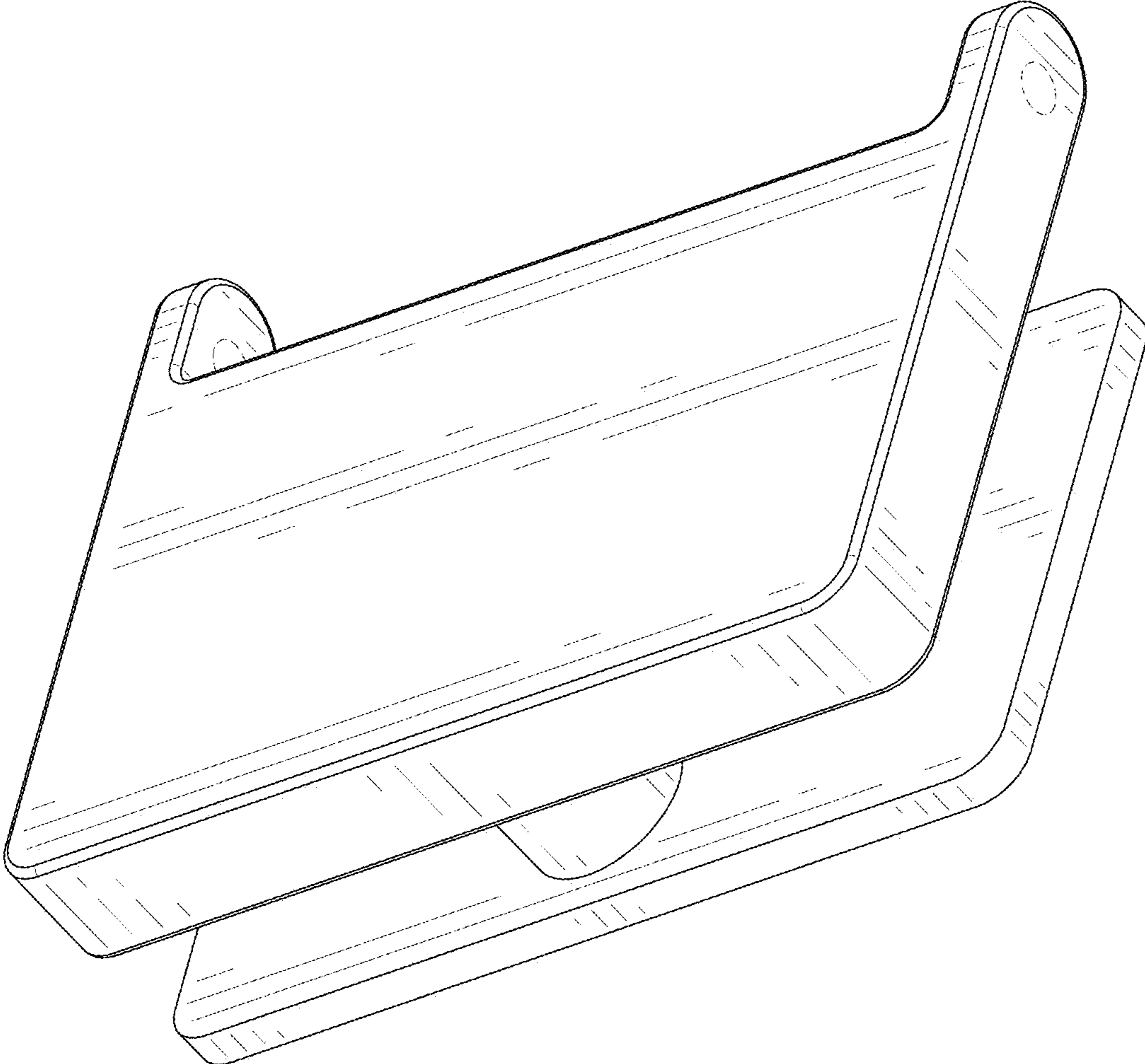


FIG. 2

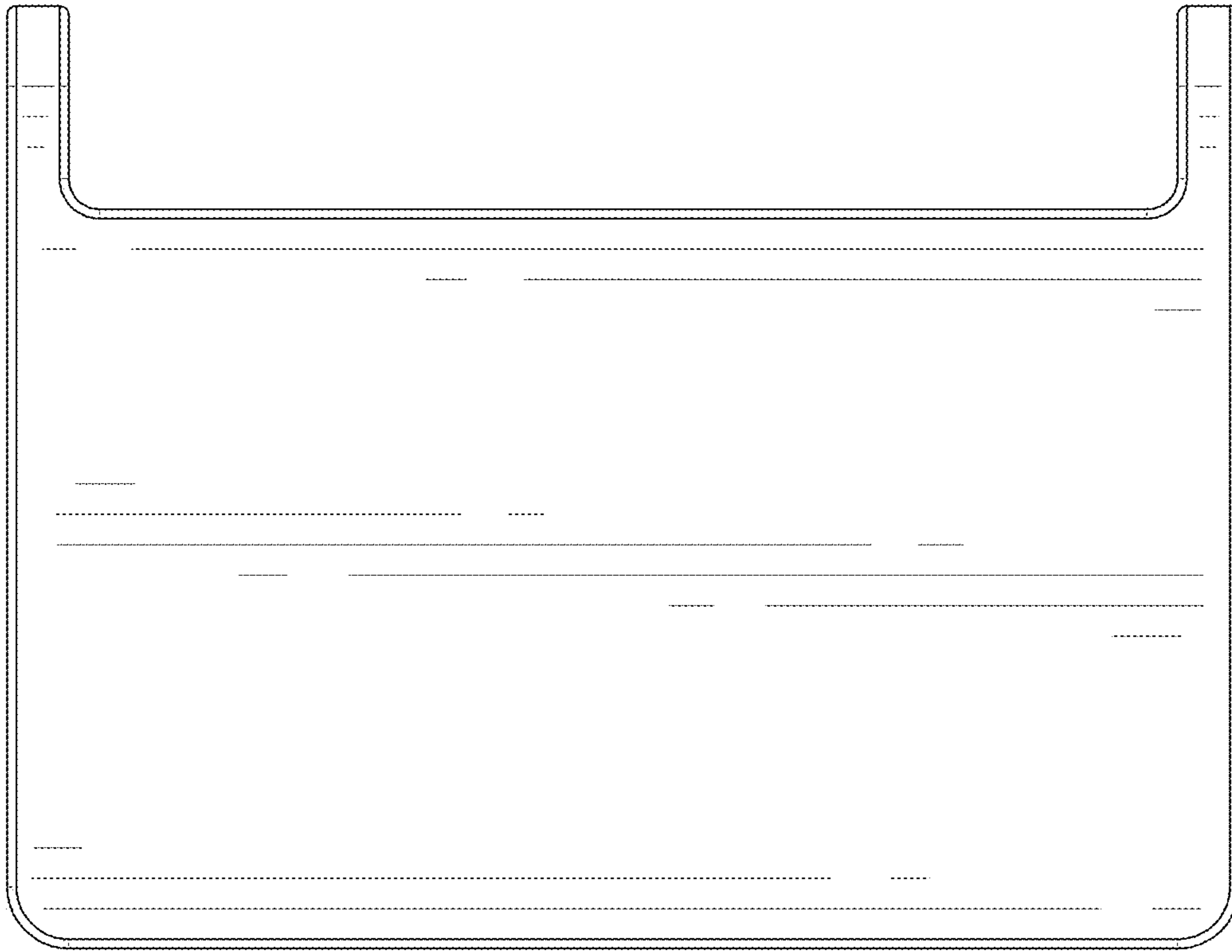


FIG. 3

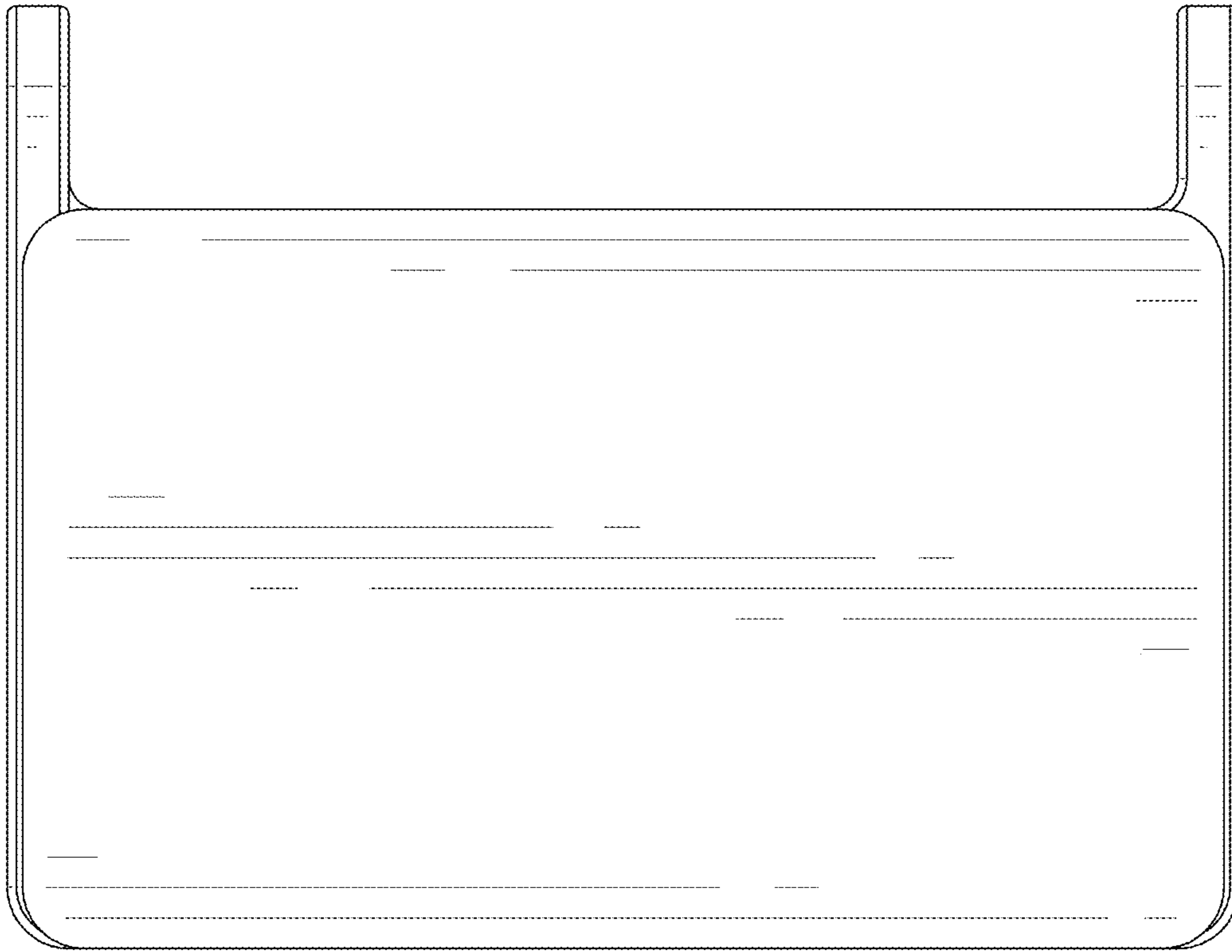


FIG. 4

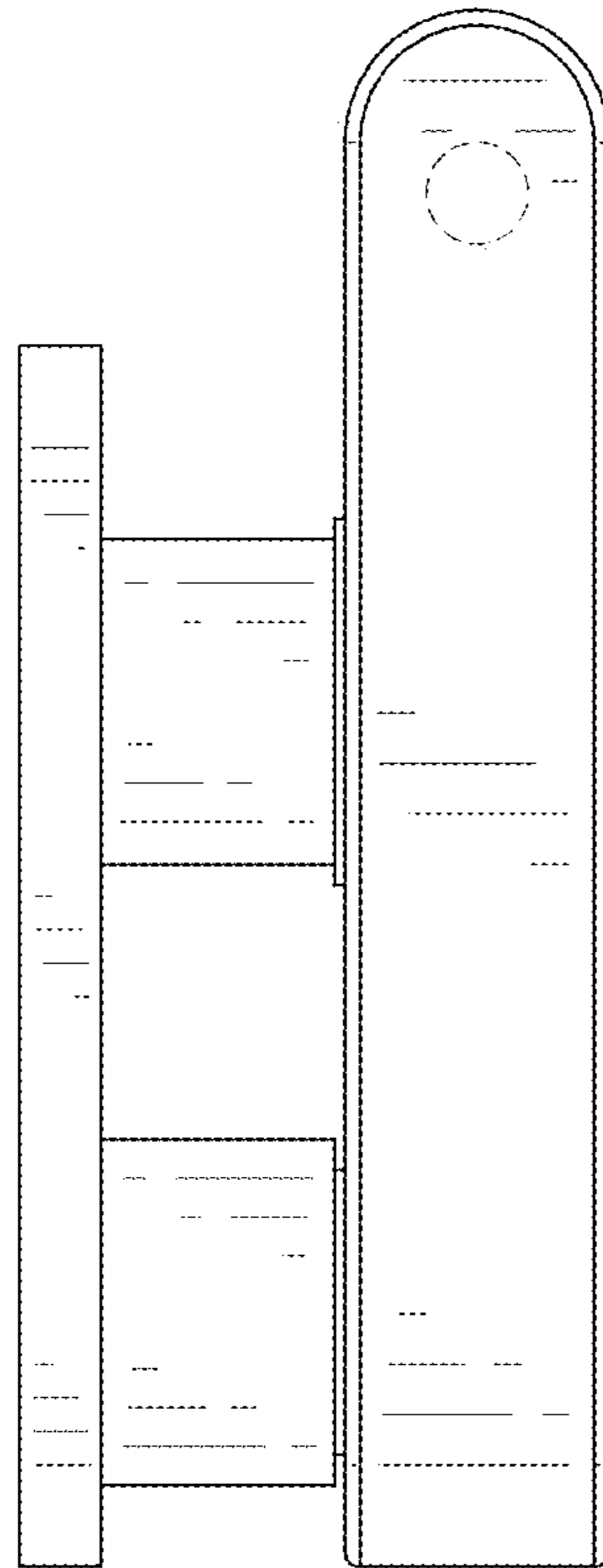


FIG. 5

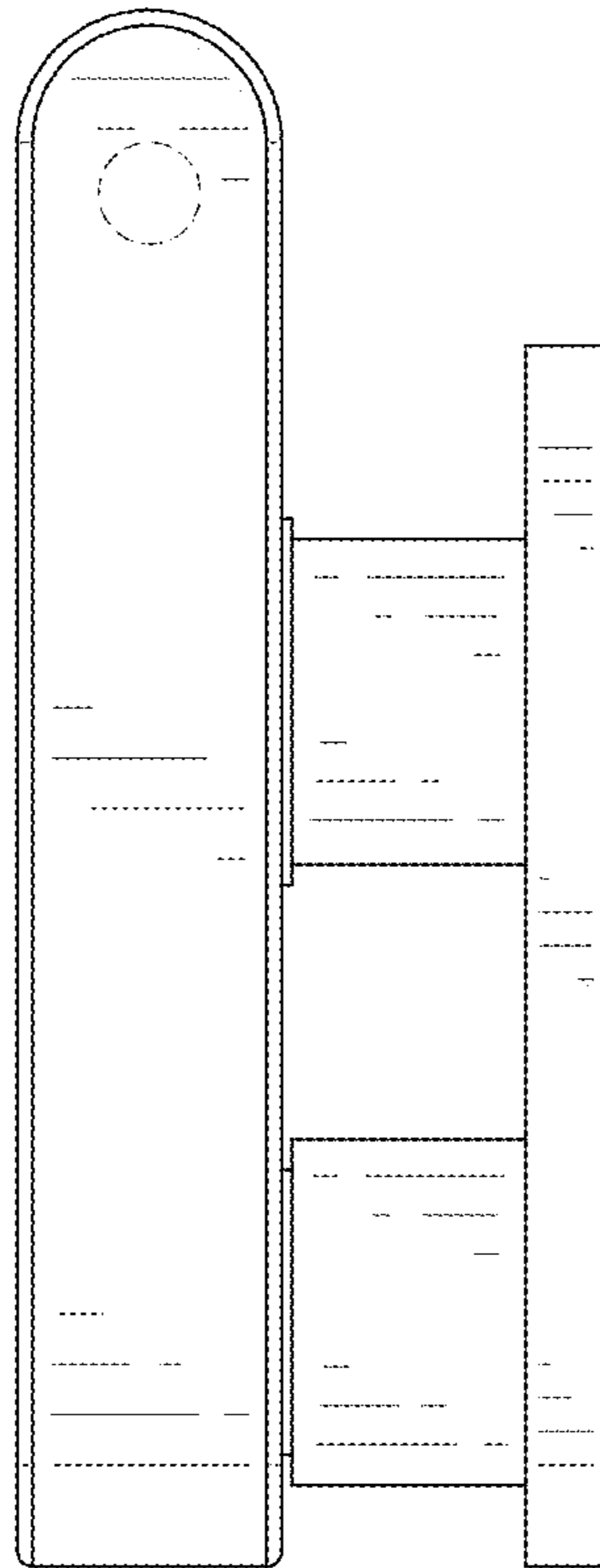


FIG. 6

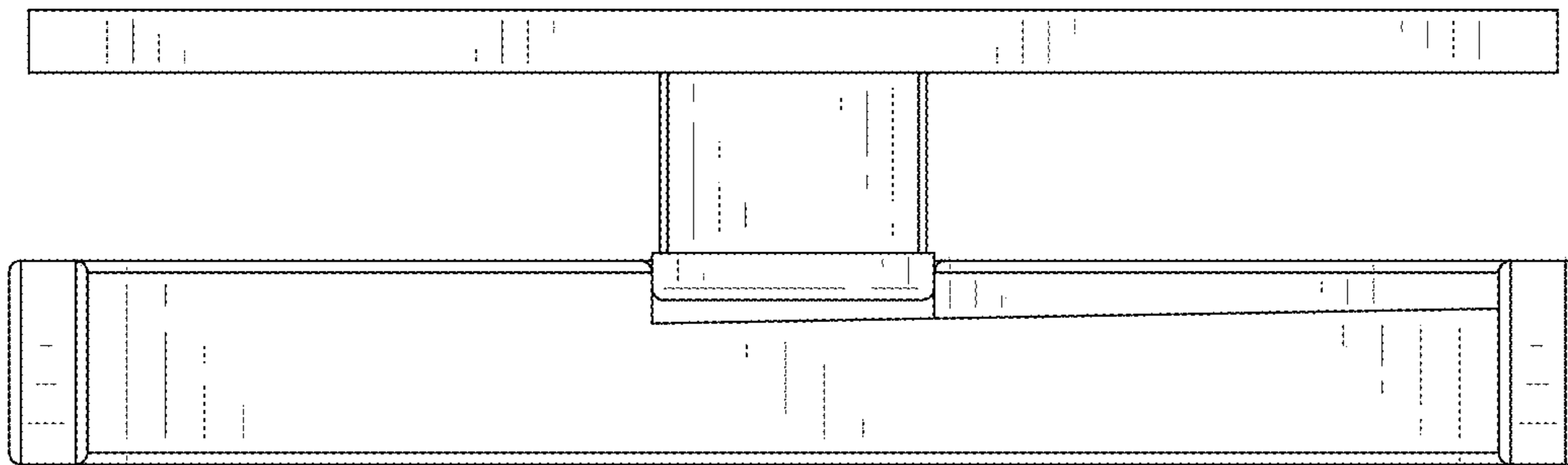


FIG. 7

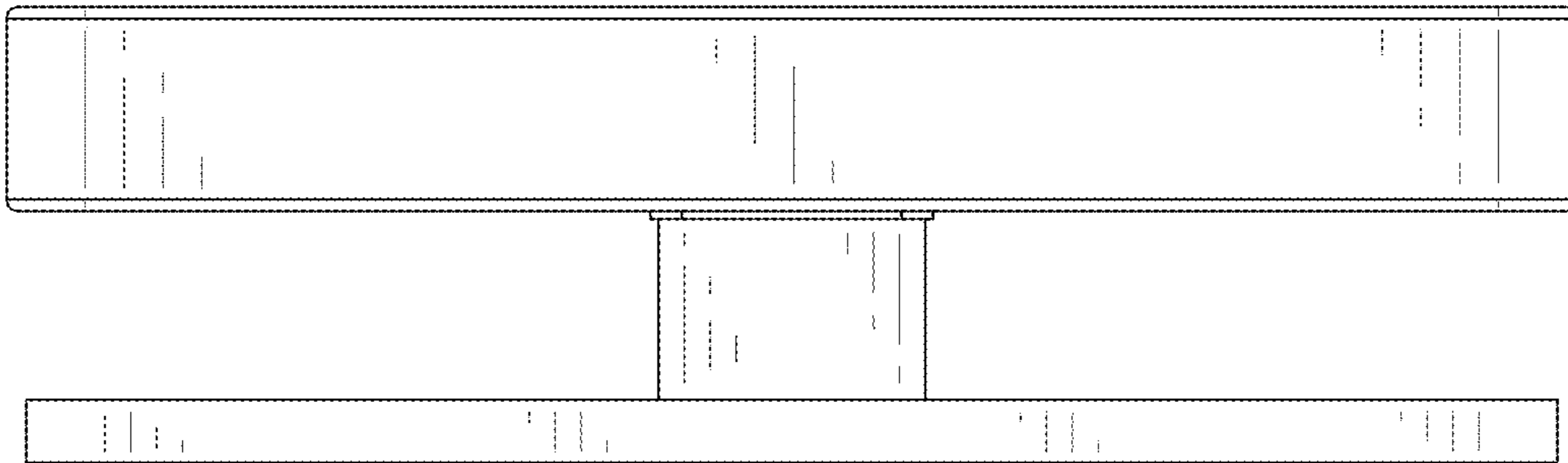


FIG. 8

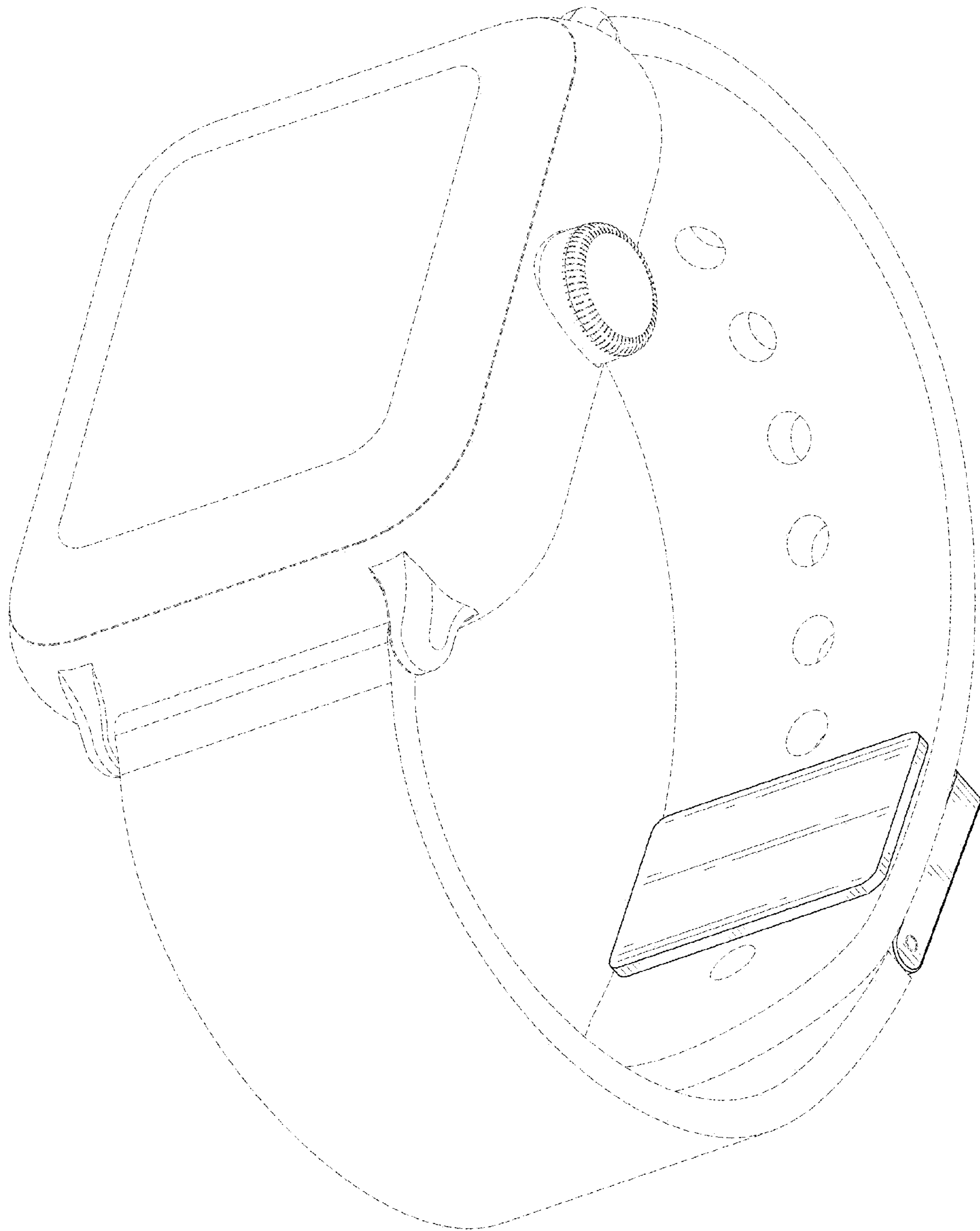


FIG. 9