



US00D879648S

(12) **United States Design Patent**
El Karout

(10) **Patent No.:** **US D879,648 S**

(45) **Date of Patent:** **** Mar. 31, 2020**

(54) **JEWELRY RING**

(71) Applicant: **Hind El Karout**, Principauté de Monaco (MC)

(72) Inventor: **Hind El Karout**, Principauté de Monaco (MC)

(**) Term: **15 Years**

(21) Appl. No.: **29/657,484**

(22) Filed: **Jul. 23, 2018**

(51) **LOC (12) Cl.** **11-01**

(52) **U.S. Cl.**
USPC **D11/26**

(58) **Field of Classification Search**
USPC D11/1-5, 16, 26-39, 49, 91, 92
CPC A44C 9/00; A44C 9/0007; A44C 9/0015;
A44C 9/0023; A44C 9/003; A44C 9/0038; A44C 9/0046; A44C 9/0053;
A44C 9/0061; A44C 9/0069; A44C 9/0076; A44C 9/0084; A44C 9/0092;
A44C 9/02; A44C 17/02; A44C 17/0208; A44C 17/0216; A44C 17/0225; A44C 17/0233; A44C 17/0241; A44C 17/025; A44C 17/0258; A44C 17/0266; A44C 17/0275; A44C 17/0283; A44C 17/0291
See application file for complete search history.

(56) **References Cited**

U.S. PATENT DOCUMENTS

D50,807 S *	5/1917	Bowden et al.	D11/38
D61,700 S *	11/1922	Weinberg	D11/38
D80,947 S *	4/1930	Gross	D11/35
D143,923 S *	2/1946	Lleber	D11/38
D255,436 S *	6/1980	Bogner	D11/38
D312,593 S *	12/1990	Bulgari	D11/38

D343,590 S *	1/1994	Dubs	D11/20
D376,556 S *	12/1996	Indorf	D11/29
D378,944 S *	4/1997	Yan	D11/39
D816,533 S *	5/2018	Maier	D11/4
2019/0174885 A1 *	6/2019	Tata	A44C 9/003

OTHER PUBLICATIONS

[Online] Grafik—White Gold Ring Small Model. <https://hrh.com/collections/rings/products/grafik-small-model-ring-white-gold>. Retrieved Nov. 24, 2019.*

* cited by examiner

Primary Examiner — Melanie Pellegrini

(74) *Attorney, Agent, or Firm* — Roberts Calderon Safran & Cole P.C.

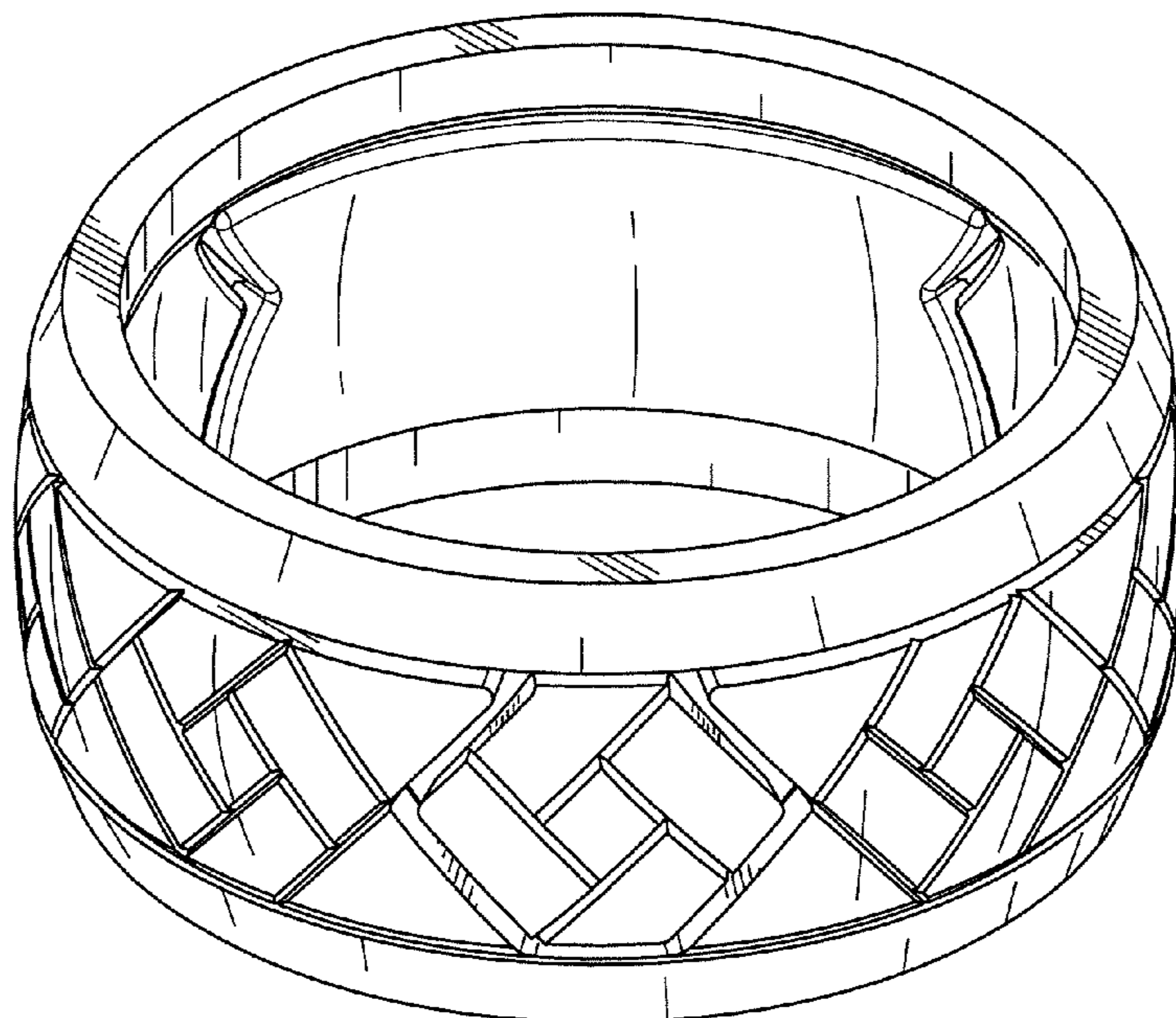
(57) **CLAIM**

The ornamental design for a jewelry ring, as shown and described.

DESCRIPTION

FIG. 1 is a perspective, front view of a jewelry ring embodying the design of the invention having top and bottom parts that are moveable with respect to each other; FIG. 2 is a front view of the jewelry ring of FIG. 1; FIG. 3 is a rear view of the jewelry ring of FIG. 1; FIG. 4 is a top view of the jewelry ring of FIG. 1; FIG. 5 is a bottom view of the jewelry ring of FIG. 1; FIG. 6 is a right side view of the jewelry ring of FIG. 1; FIG. 7 is a left side view of the jewelry ring of FIG. 1; FIG. 8 is a perspective, bottom view of the jewelry ring of FIG. 1 illustrating the relative movement possible between the top and bottom parts of the ring, and, FIG. 9 is a perspective, side view of the jewelry ring of FIG. 1 illustrating the relative movement possible between the top and bottom parts of the ring.

1 Claim, 7 Drawing Sheets



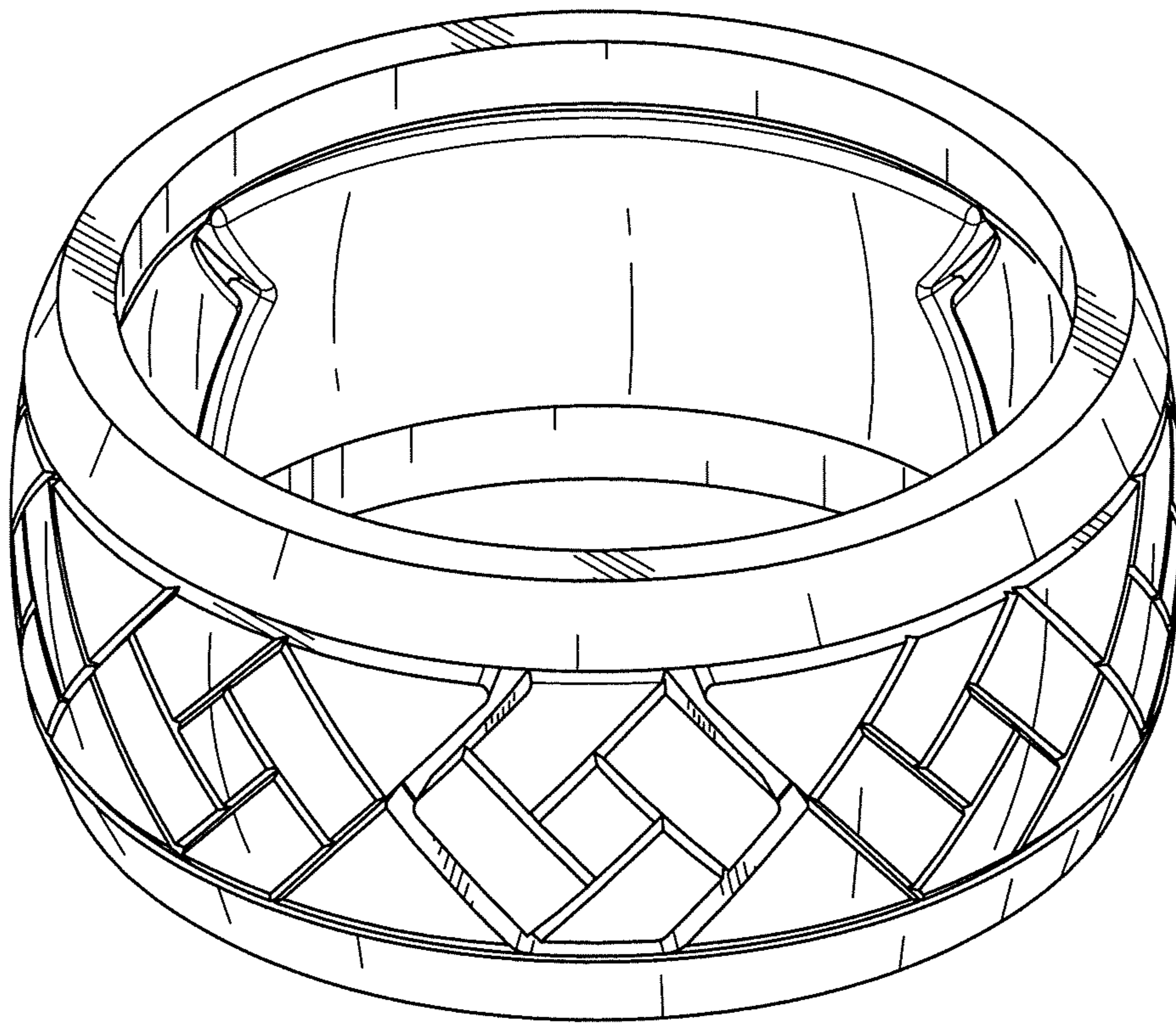


FIG. 1

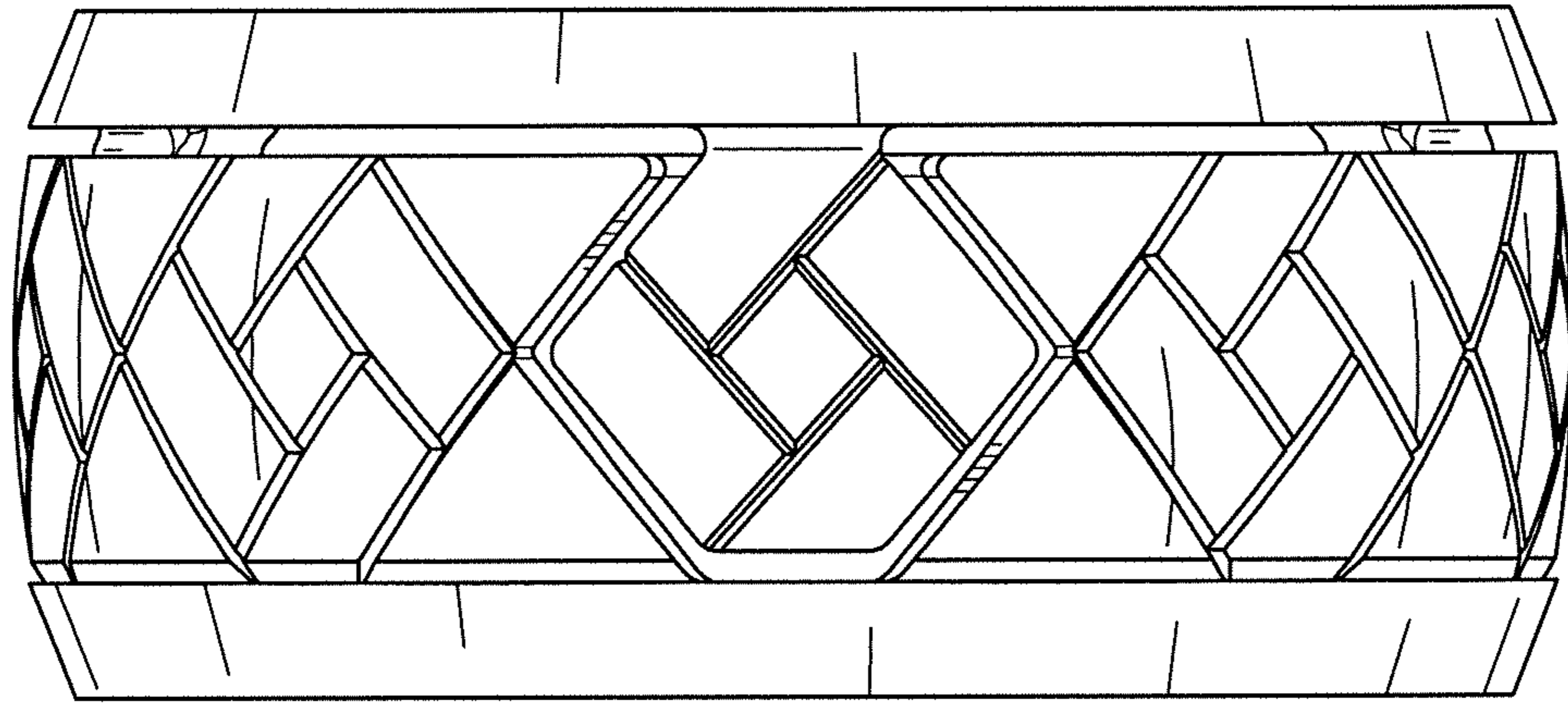


FIG. 2

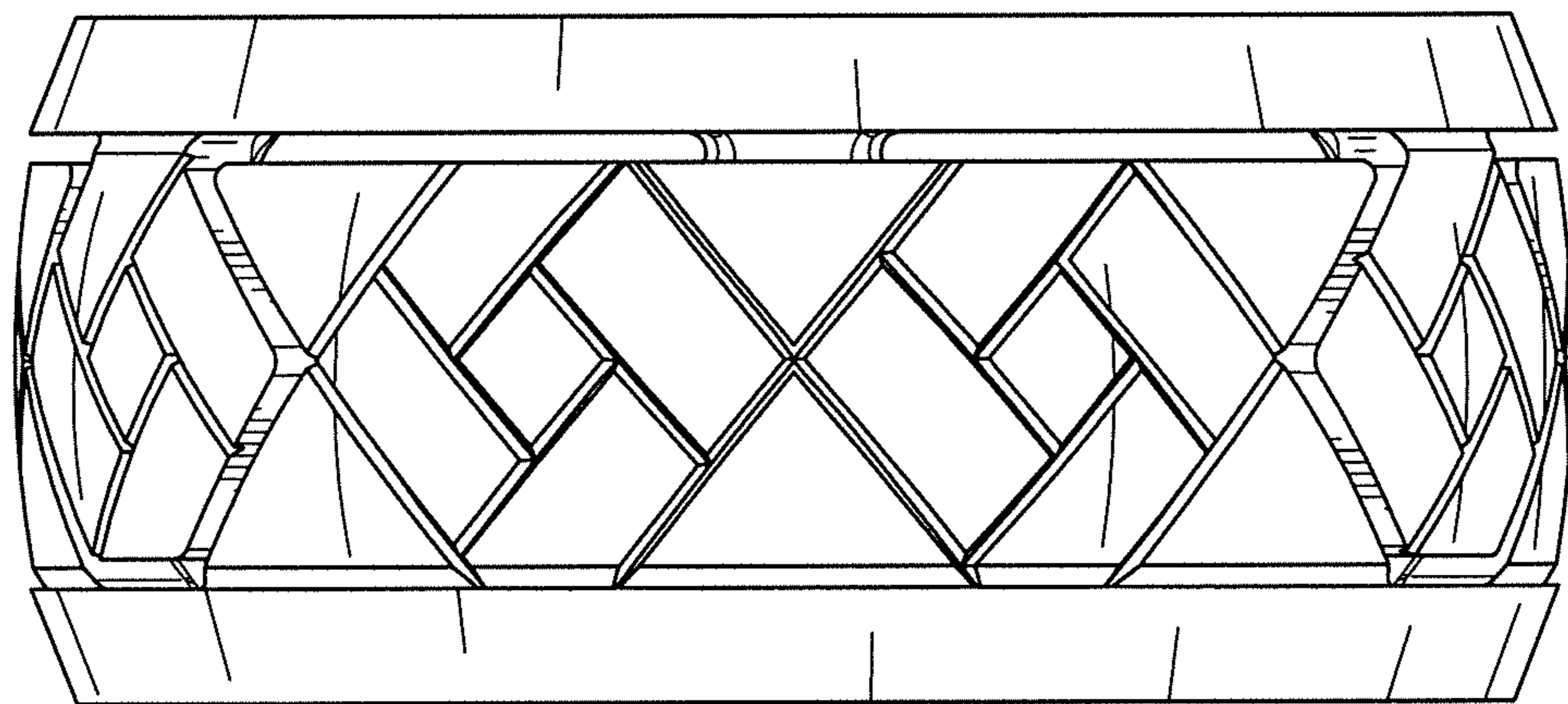


FIG. 3

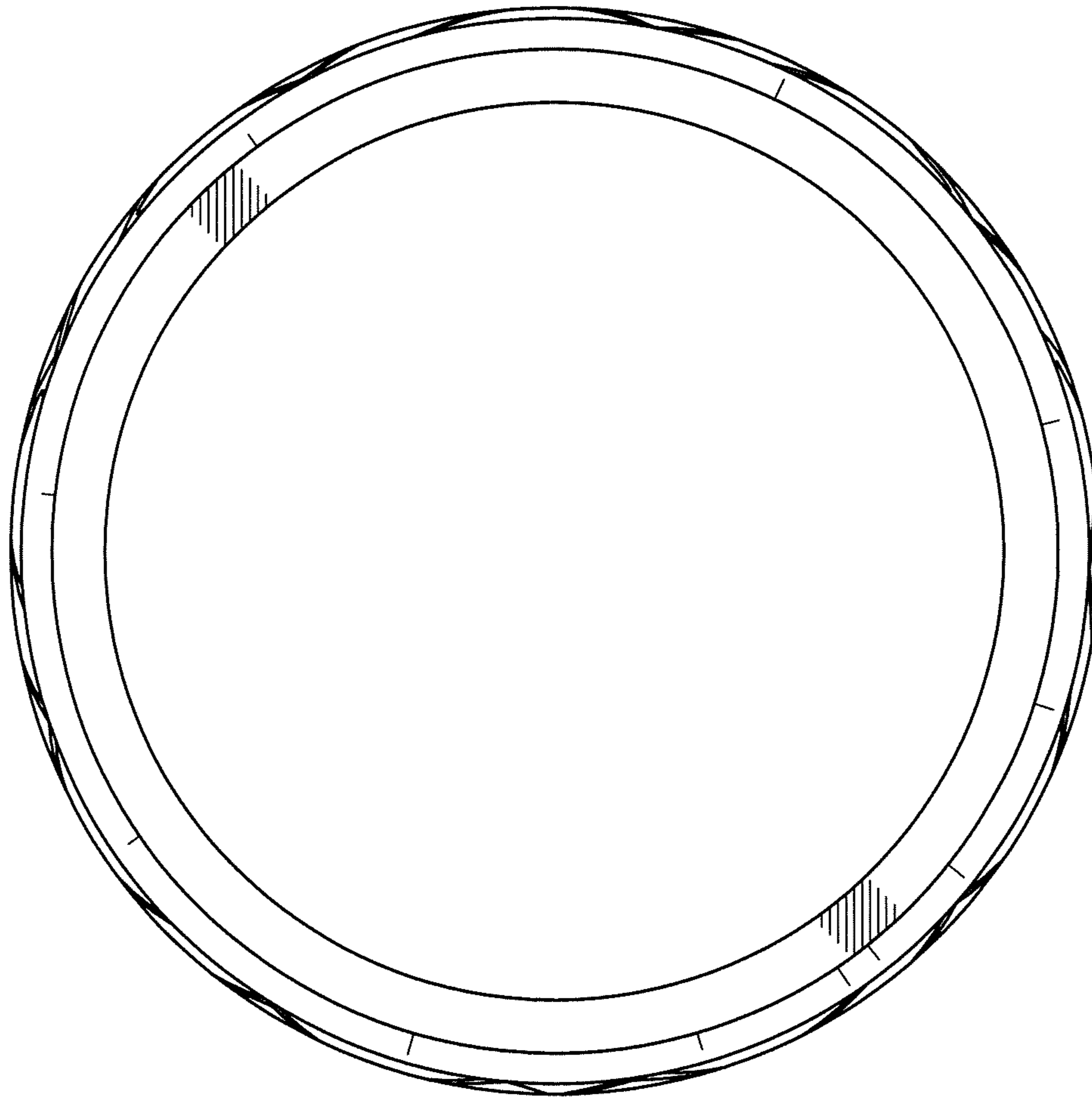


FIG. 4

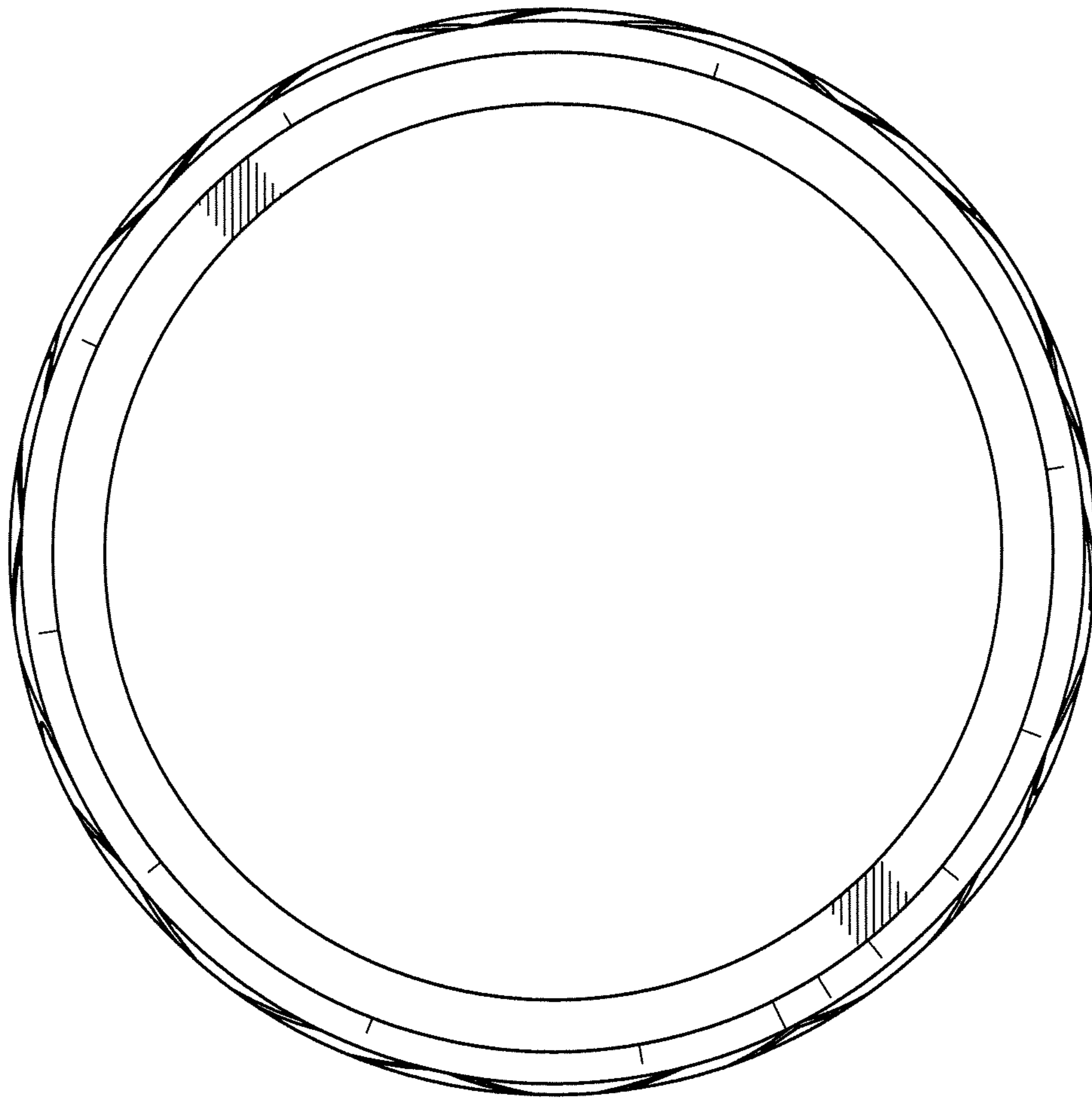


FIG. 5

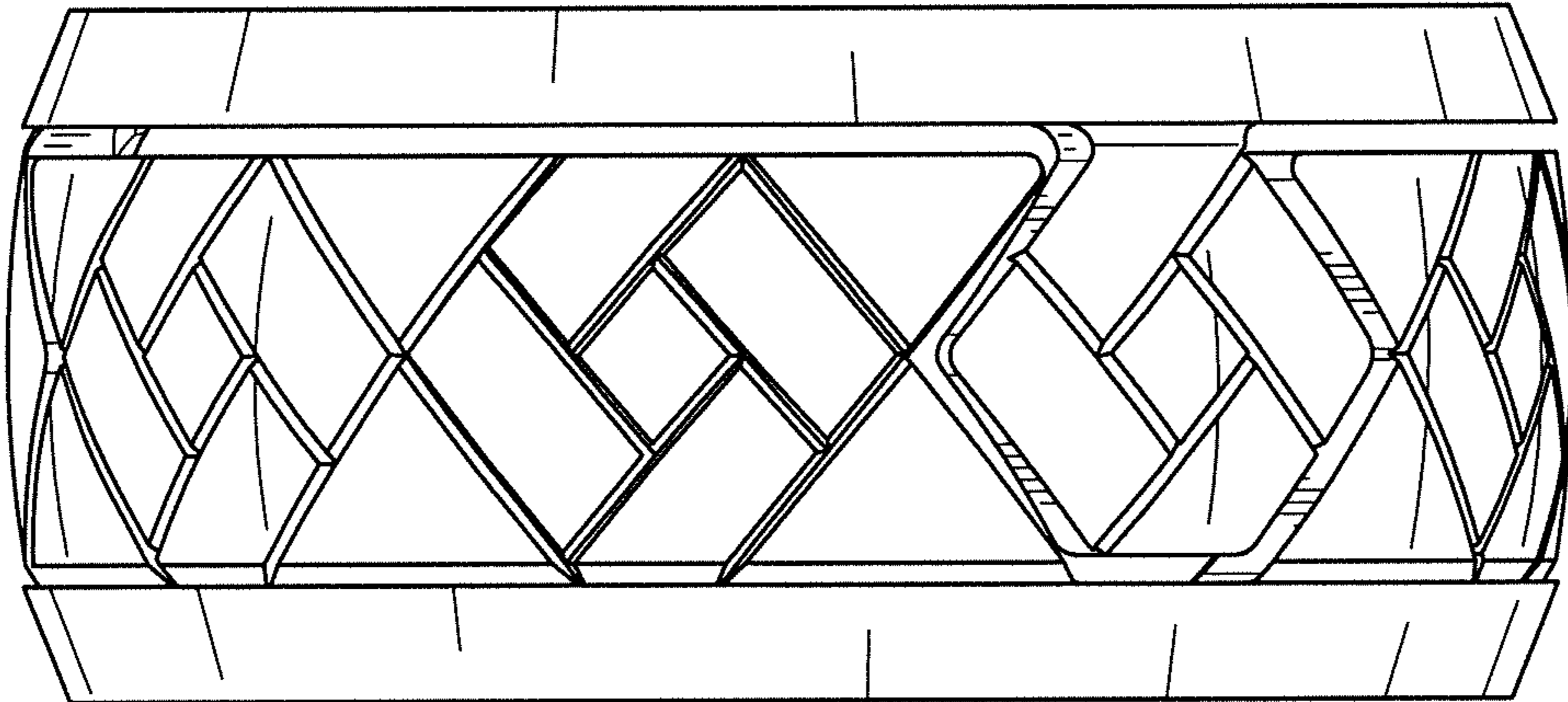


FIG. 6

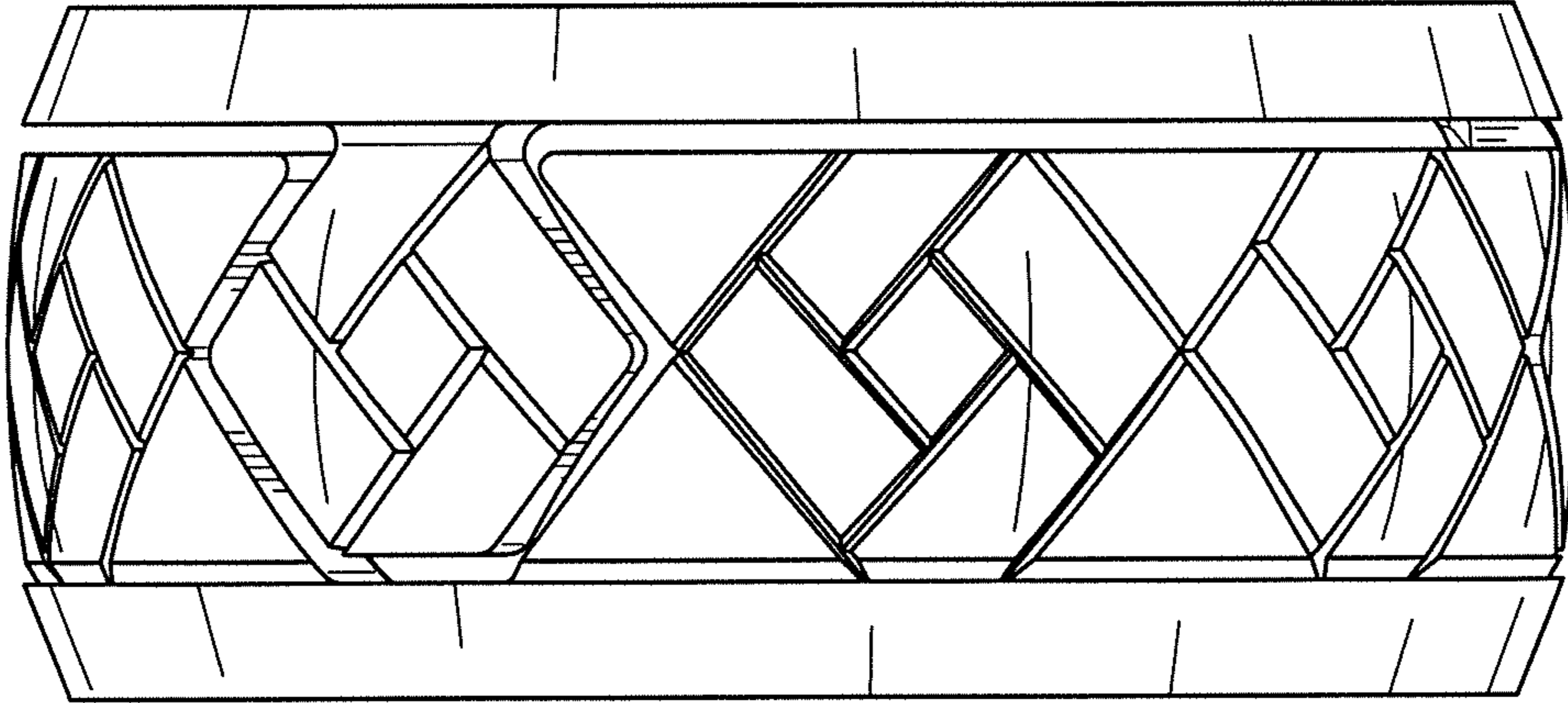


FIG. 7

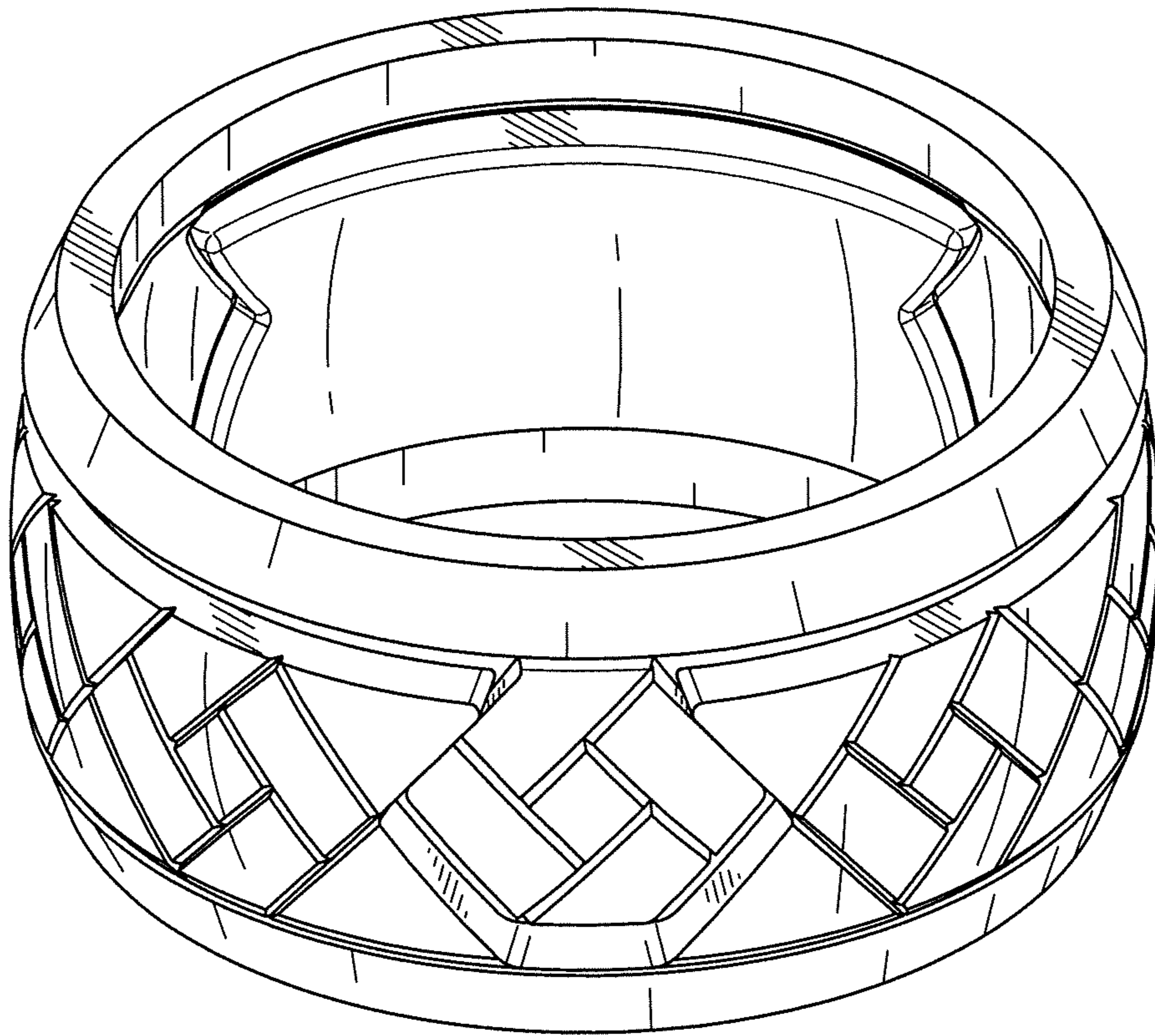


FIG. 8

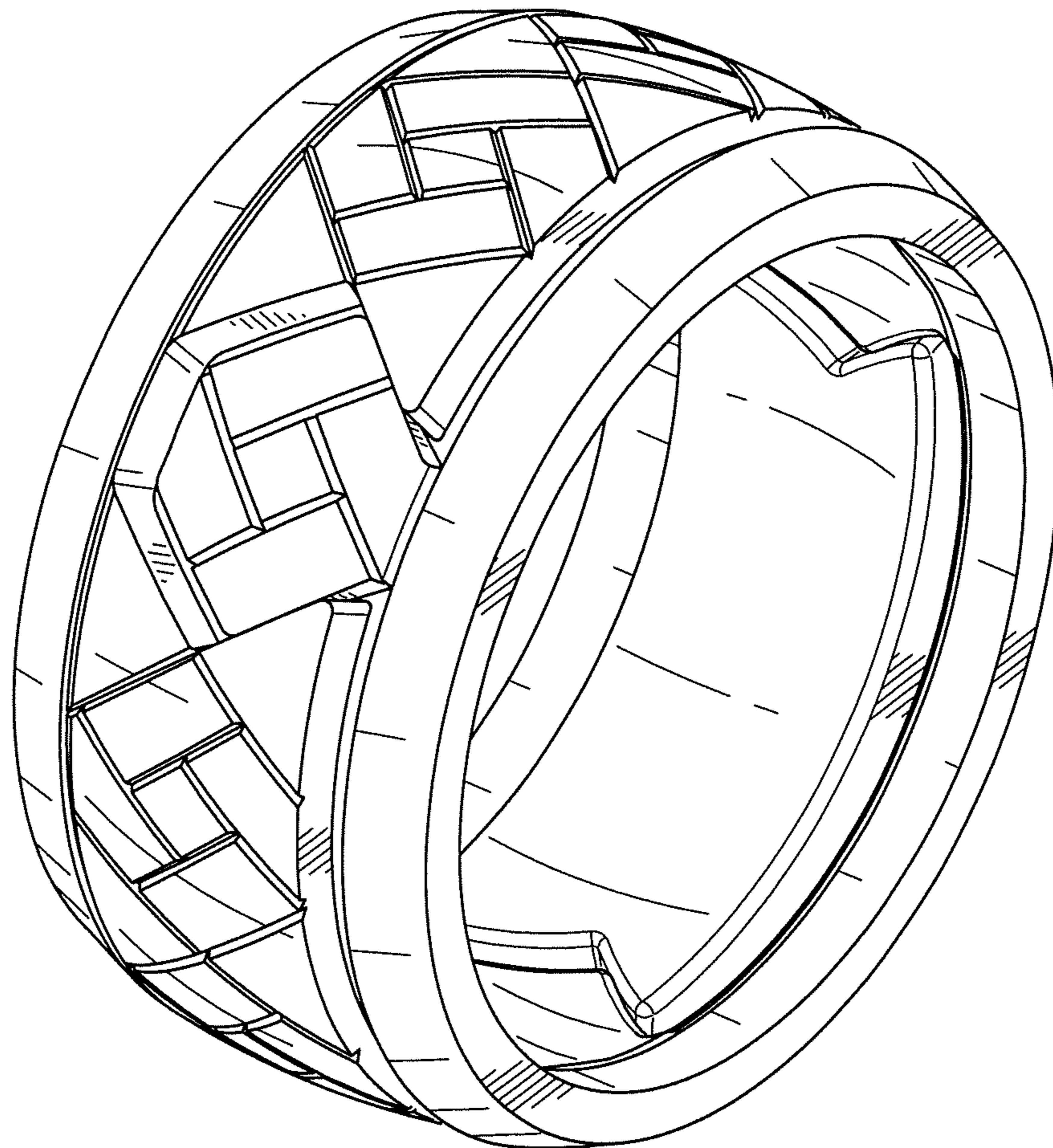


FIG. 9