



US00D879646S

(12) **United States Design Patent**
Lin

(10) **Patent No.:** **US D879,646 S**
(45) **Date of Patent:** **** Mar. 31, 2020**

(54) **WATCHBAND**

(71) Applicant: **Huirong Lin**, Chaozhou (CN)

(72) Inventor: **Huirong Lin**, Chaozhou (CN)

(**) Term: **15 Years**

(21) Appl. No.: **29/714,081**

(22) Filed: **Nov. 21, 2019**

(51) **LOC (12) Cl.** **11-01**

(52) **U.S. Cl.**
USPC **D11/3**

(58) **Field of Classification Search**

USPC D11/1-25, 86, 93, 94; D10/30-39, 70,
D10/46; D24/186, 167; D14/344
CPC G04B 37/1486; G04B 37/16; G04B 37/18;
A44C 5/14; A44C 5/0053; A44C 5/0069;
A44C 5/0076; A44C 5/00; A44C 5/0007;
A44C 5/0015; A44C 5/0023; A44C
5/003; A44C 5/0061; A44C 5/12; A44C
5/147; A44C 5/18; A44C 5/185
See application file for complete search history.

(56) **References Cited**

U.S. PATENT DOCUMENTS

D382,827 S 8/1997 Woo et al.
D383,692 S 9/1997 Woo et al.
D391,865 S * 3/1998 Brzezinski D10/30
D391,882 S 3/1998 Roales
D409,940 S * 5/1999 Spandrio D11/3
D410,406 S * 6/1999 Iwamoto D11/3

D450,612 S * 11/2001 Rantala D11/3
D767,435 S * 9/2016 Lee D11/3
D802,465 S * 11/2017 Dukerschein D11/3
D812,051 S * 3/2018 Park D14/344
D837,675 S * 1/2019 Tibi D11/3
D854,439 S * 7/2019 Dukerschein D11/3
D864,012 S * 10/2019 Chen D11/3
2017/0188669 A1 * 7/2017 Dukerschein A44C 5/2071

* cited by examiner

Primary Examiner — Melanie Pellegrini

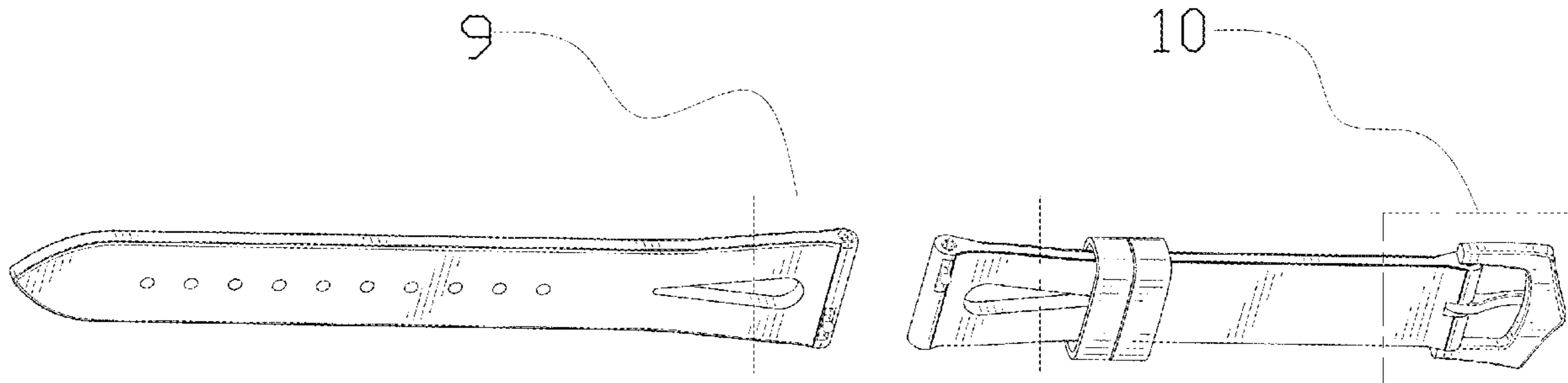
(57) **CLAIM**

The ornamental design for a watchband, as shown and described.

DESCRIPTION

FIG. 1 is a perspective view of a watchband showing my new design;
FIG. 2 is another perspective view thereof;
FIG. 3 is a front elevational view thereof;
FIG. 4 is a rear elevational view thereof;
FIG. 5 is a left side elevational view thereof;
FIG. 6 is a right side elevational view thereof;
FIG. 7 is a top plan view thereof;
FIG. 8 is a bottom plan view thereof;
FIG. 9 is an enlarged view of portion 9 shown in FIG. 1; and,
FIG. 10 is an enlarged view of portion 10 shown in FIG. 1.
The conventional broken lines shown in the drawings illustrate portions of the watchband that form no part of the claimed design. The dot-dash style broken lines shown in FIGS. 1, 9 and 10 represent boundaries which form no part of the claimed design.

1 Claim, 10 Drawing Sheets



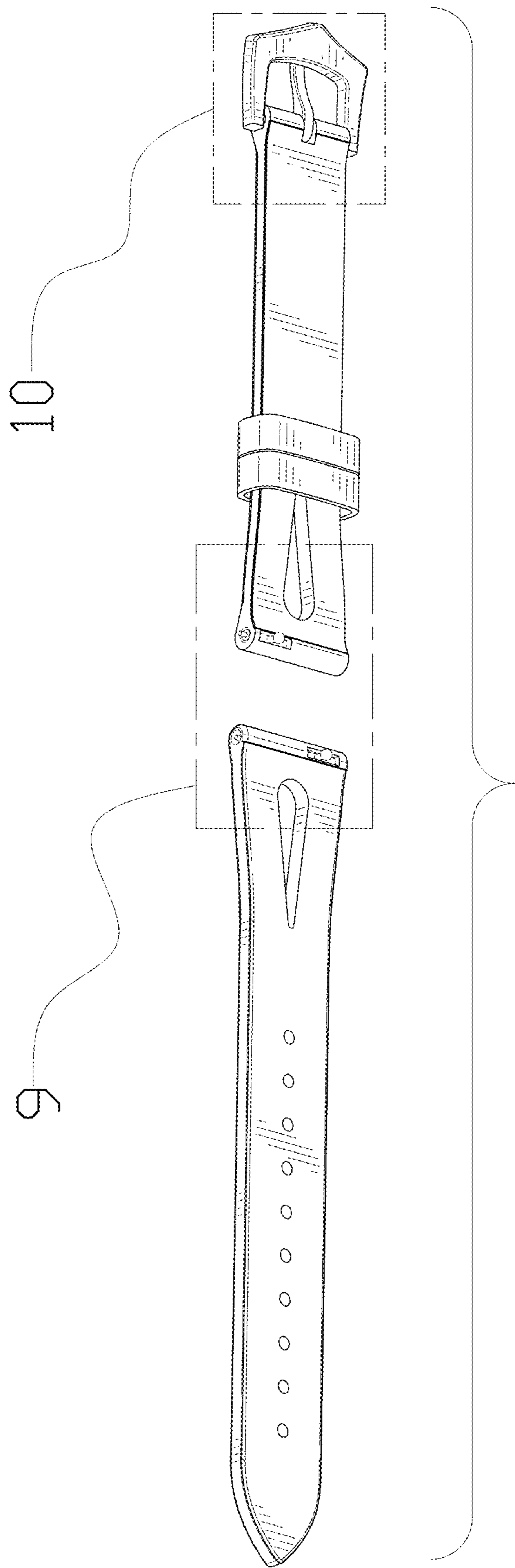


FIG. 1

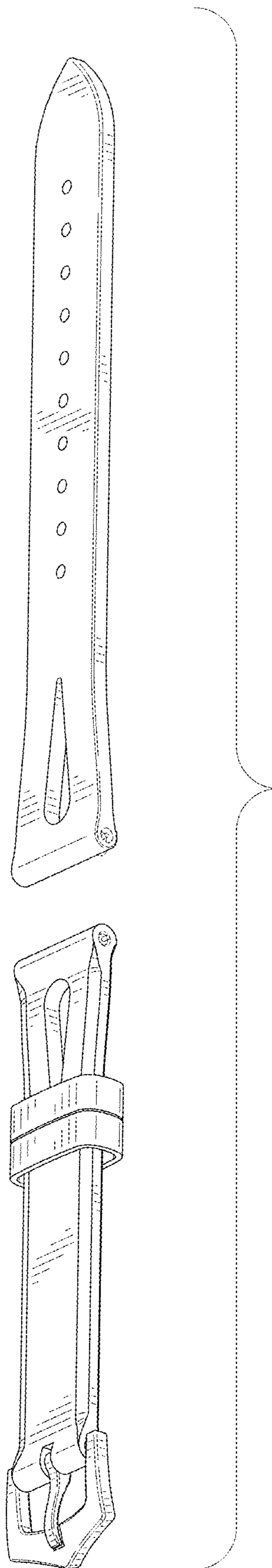


FIG. 2

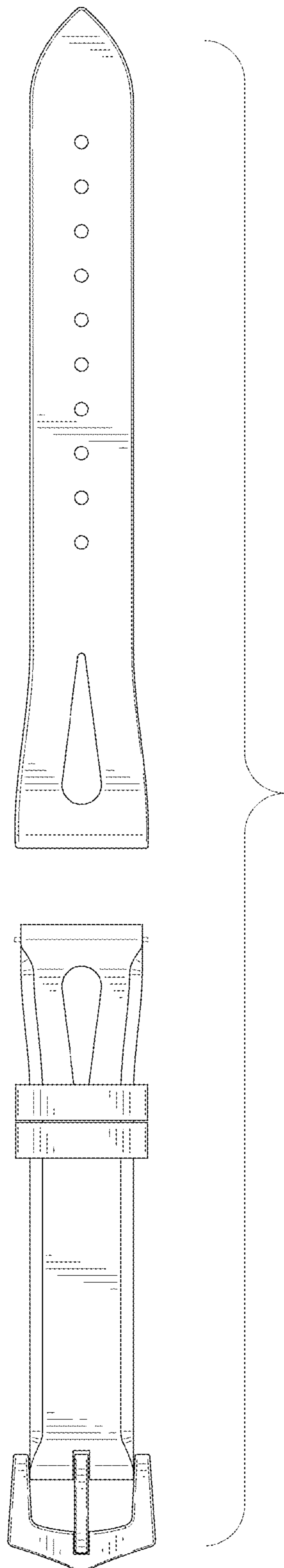


FIG. 3

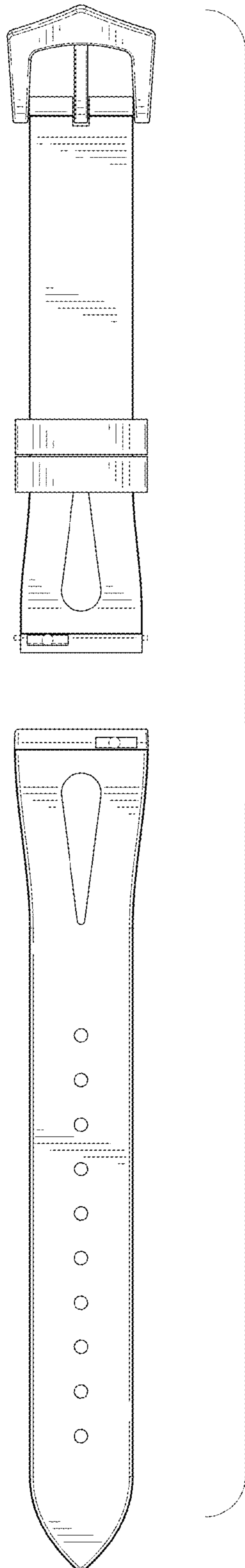


FIG. 4

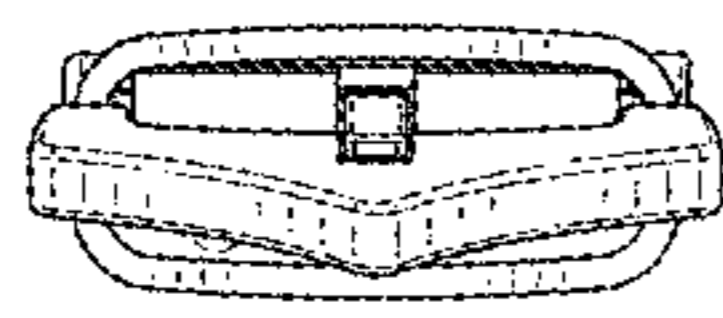


FIG. 5

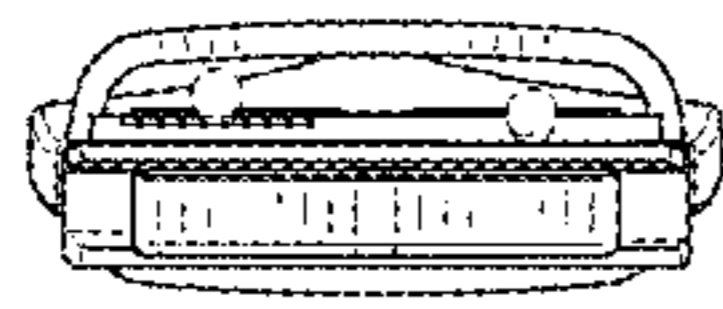


FIG. 6

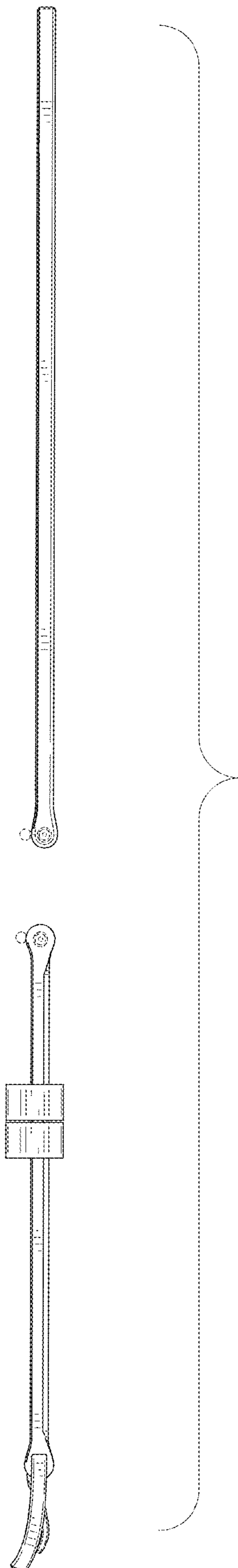


FIG. 7

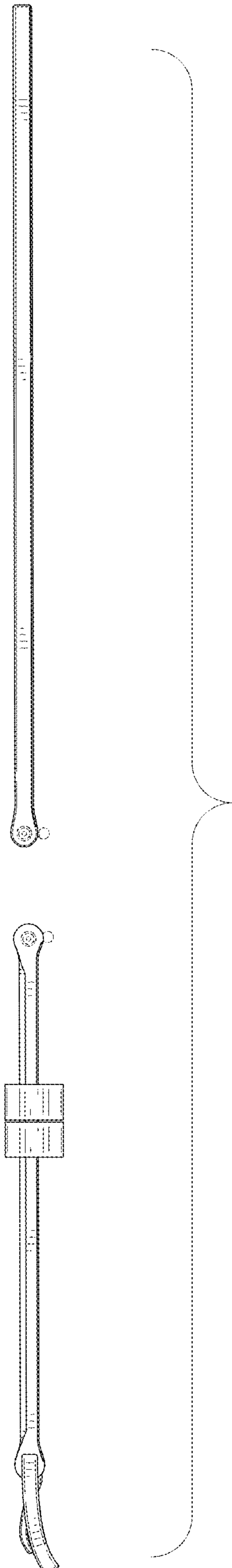


FIG. 8

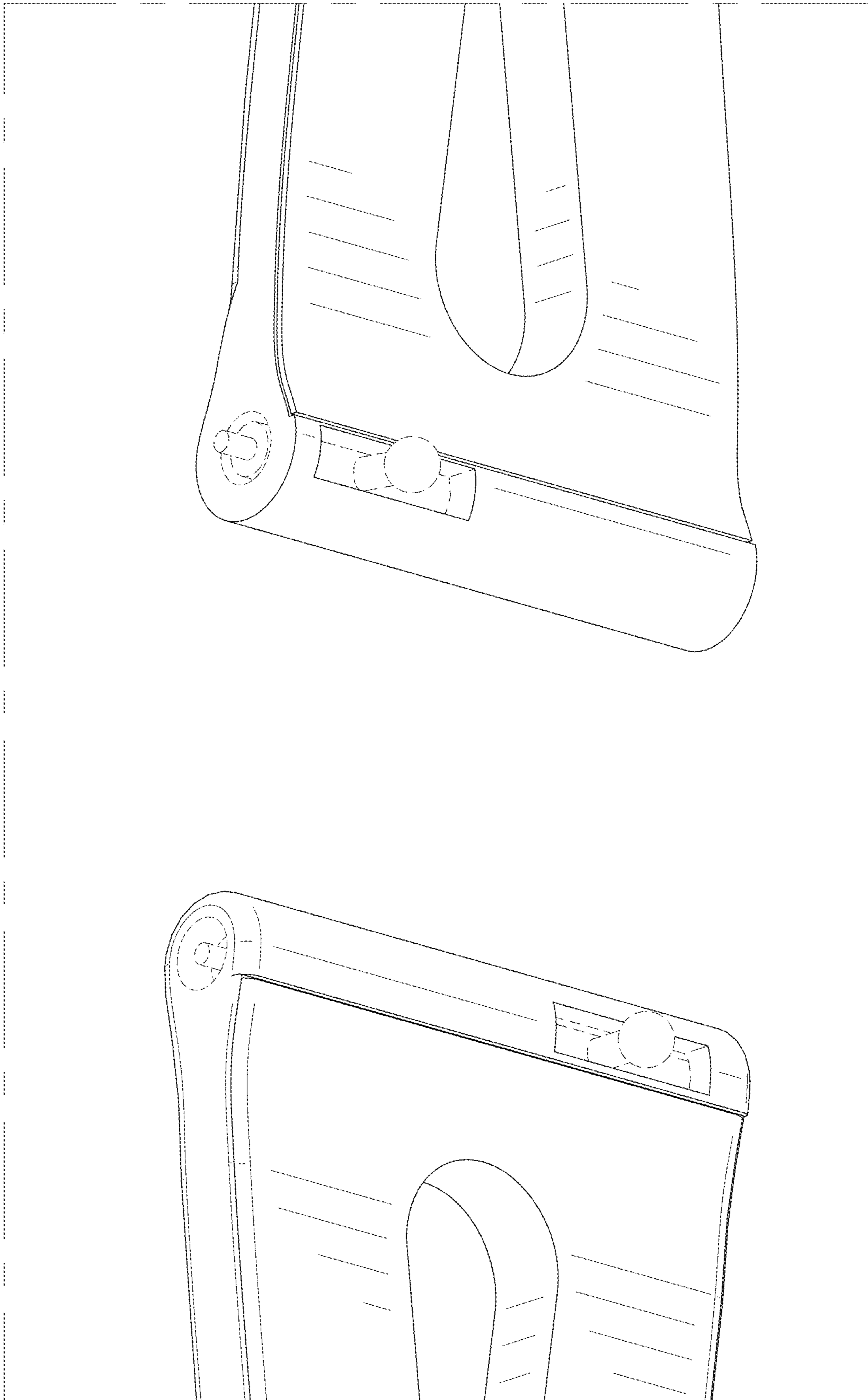


FIG. 9

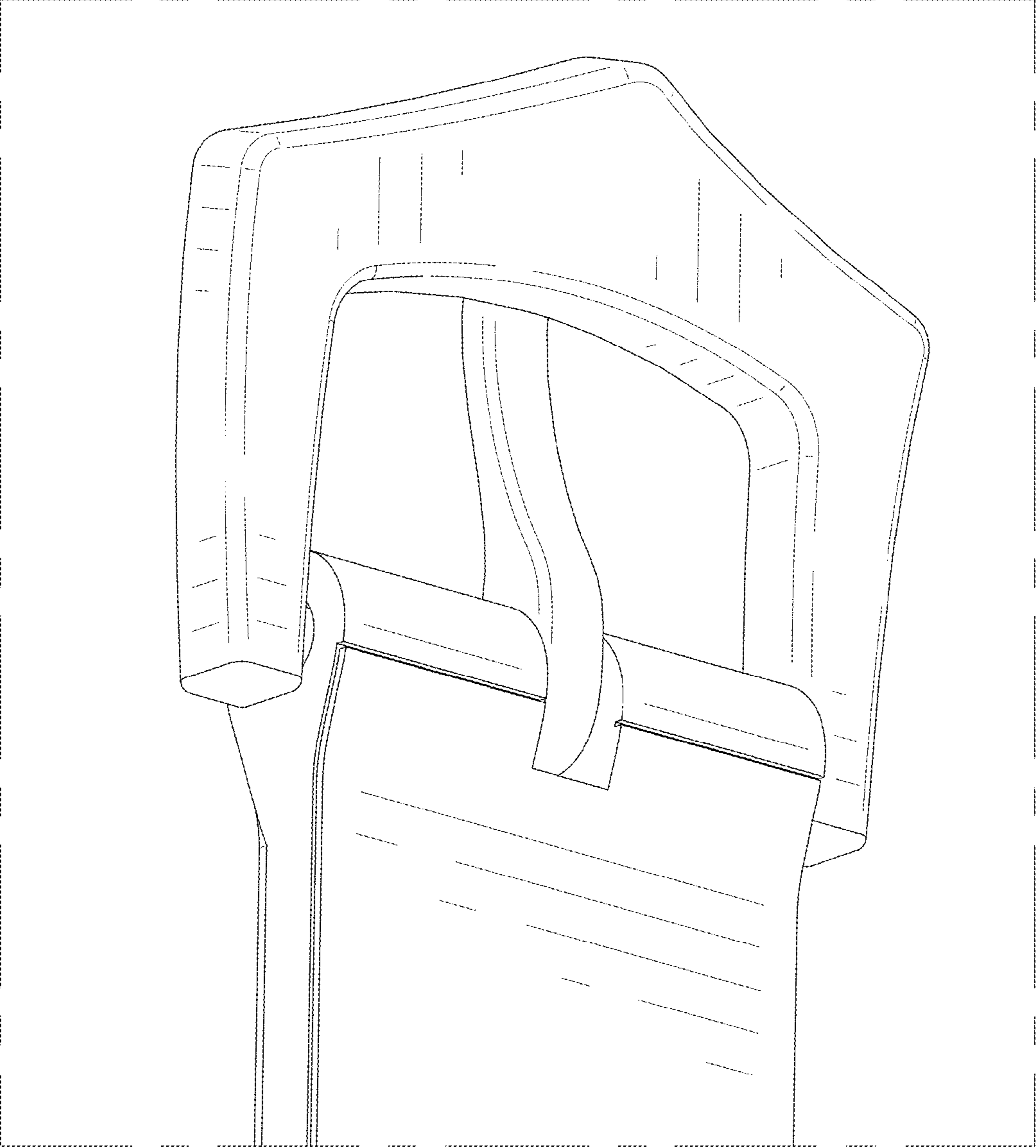


FIG. 10