



US00D879645S

(12) **United States Design Patent**
Lin

(10) **Patent No.:** **US D879,645 S**
(45) **Date of Patent:** **** Mar. 31, 2020**

- (54) **WATCHBAND**
- (71) Applicant: **Huirong Lin**, Chaozhou (CN)
- (72) Inventor: **Huirong Lin**, Chaozhou (CN)
- (**) Term: **15 Years**
- (21) Appl. No.: **29/714,080**
- (22) Filed: **Nov. 21, 2019**
- (51) **LOC (12) Cl.** **11-01**
- (52) **U.S. Cl.**
USPC **D11/3**
- (58) **Field of Classification Search**
USPC D11/1-25, 86, 93, 94; D10/30-39, 70,
D10/46; D24/186, 167; D14/344
CPC G04B 37/1486; G04B 37/16; G04B 37/18;
A44C 5/14; A44C 5/0053; A44C 5/0069;
A44C 5/0076; A44C 5/00; A44C 5/0007;
A44C 5/0015; A44C 5/0023; A44C
5/003; A44C 5/0061; A44C 5/12; A44C
5/147; A44C 5/18; A44C 5/185
See application file for complete search history.

D802,465 S	11/2017	Dukerschein et al.	
D854,439 S	7/2019	Dukerschein	
D861,529 S *	10/2019	Herz	D11/3
D862,276 S *	10/2019	Herz	D11/3
D864,012 S	10/2019	Chen	
D874,311 S *	2/2020	Connor	D11/3

* cited by examiner

Primary Examiner — Melanie Pellegrini

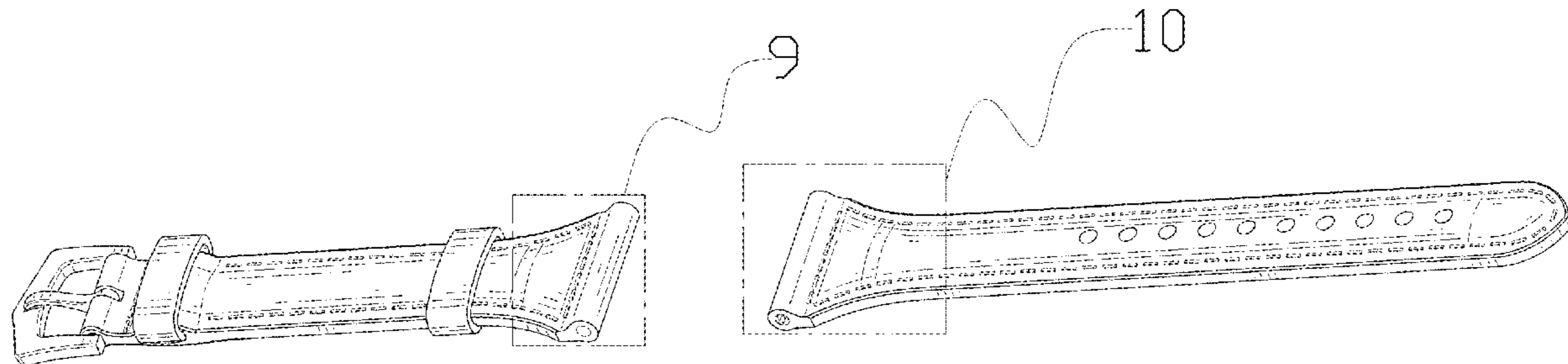
(57) **CLAIM**

The ornamental design for a watchband, as shown and described.

DESCRIPTION

FIG. 1 is a perspective view of a watchband showing my new design;
 FIG. 2 is another perspective view thereof;
 FIG. 3 is a front elevational view thereof;
 FIG. 4 is a rear elevational view thereof;
 FIG. 5 is a left side elevational view thereof;
 FIG. 6 is a right side elevational view thereof;
 FIG. 7 is a top plan view thereof;
 FIG. 8 is a bottom plan view thereof;
 FIG. 9 is an enlarged view of portion 9 shown in FIG. 1; and,
 FIG. 10 is an enlarged view of portion 10 shown in FIG. 1.
 The evenly spaced broken lines shown in the drawings illustrate portions of the watchband that form no part of the claimed design. The dot-dash style broken lines shown in FIGS. 1, 9 and 10 represent boundaries which form no part of the claimed design.

1 Claim, 10 Drawing Sheets



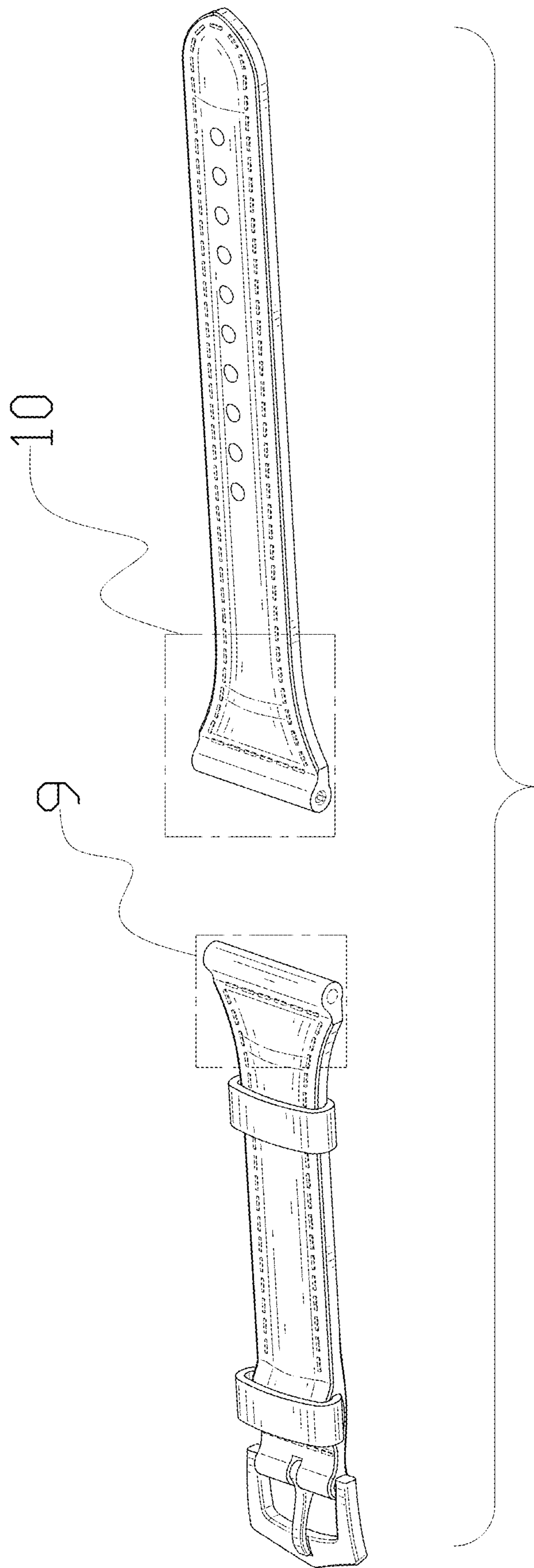


FIG. 1

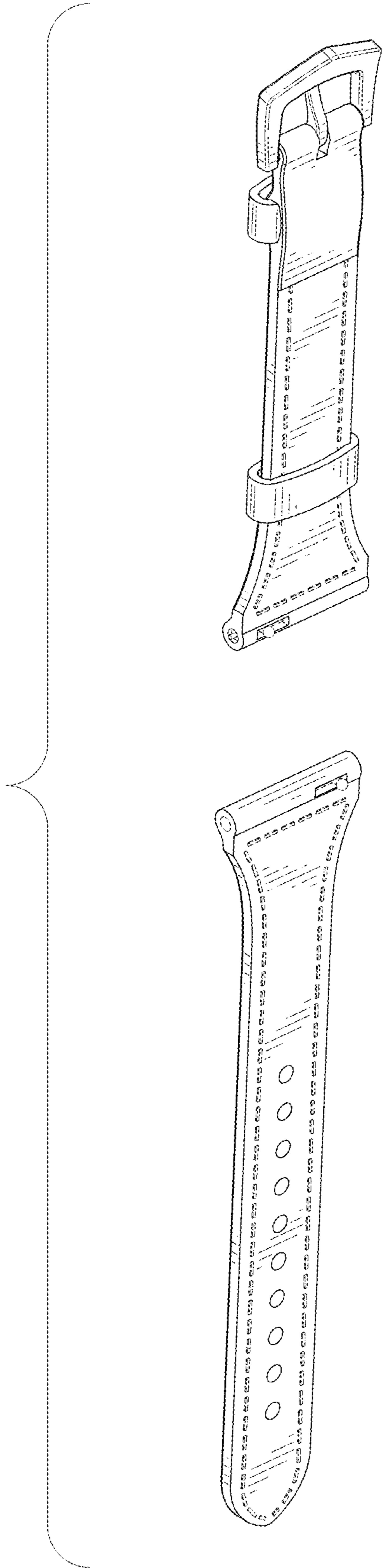


FIG. 2

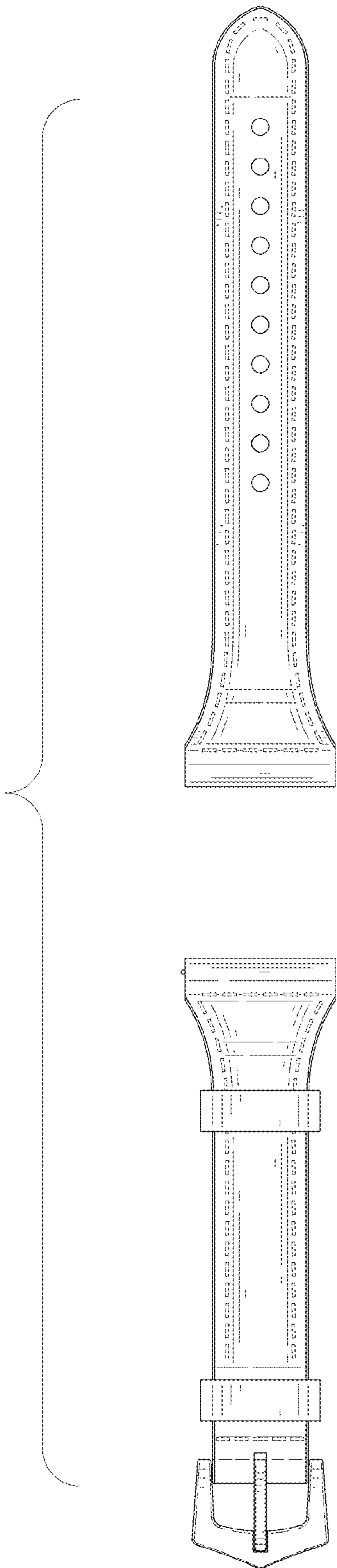


FIG. 3

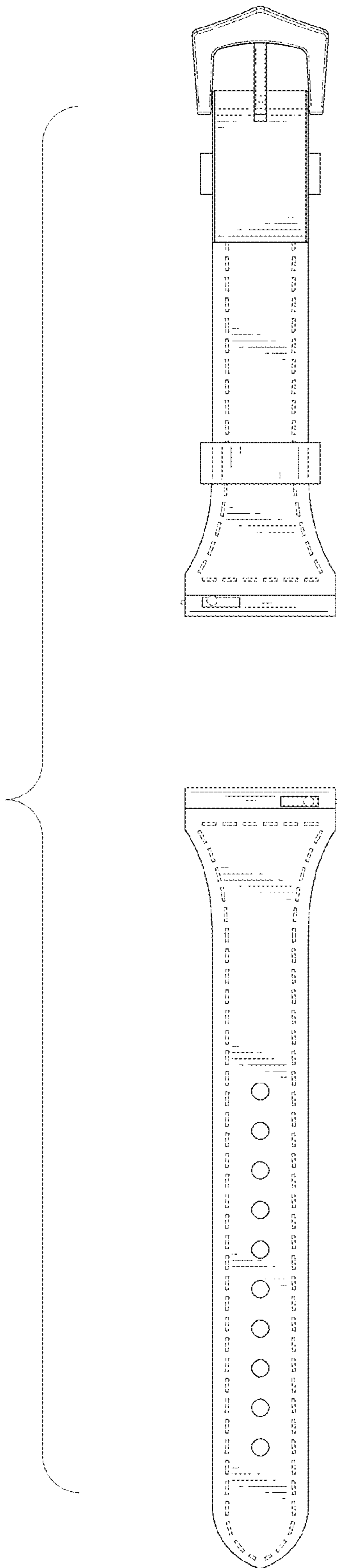


FIG. 4

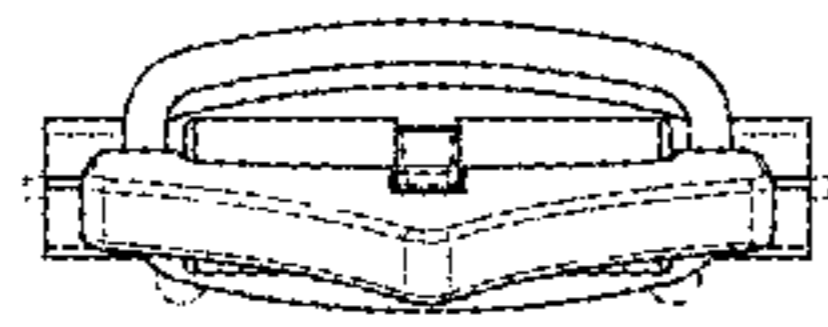


FIG. 5

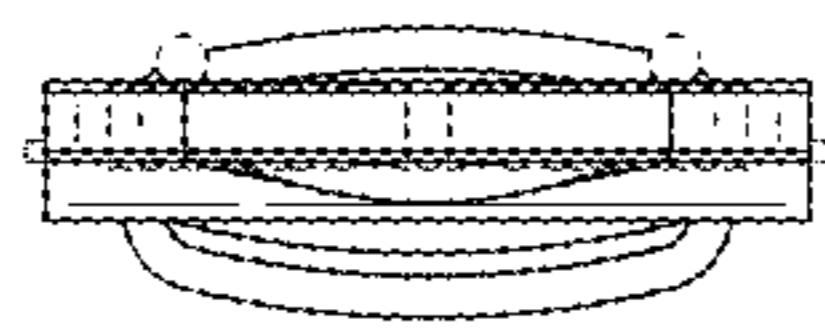


FIG. 6

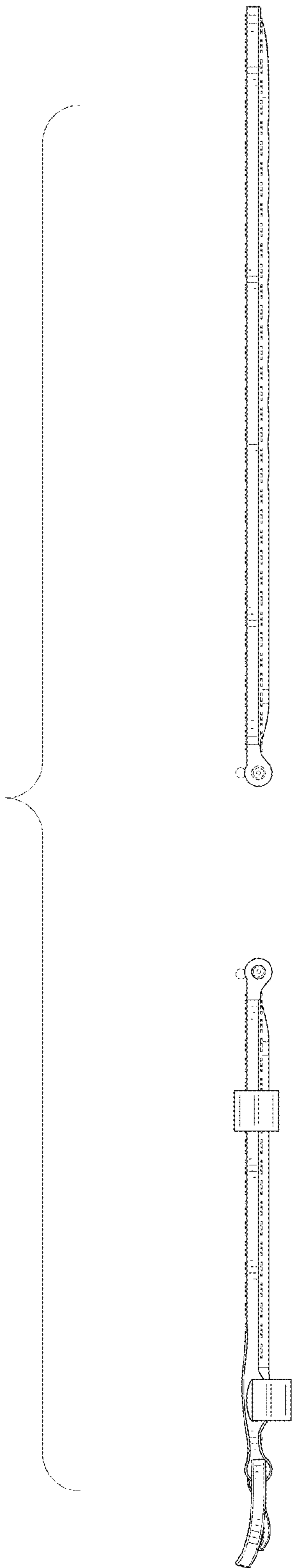


FIG. 7

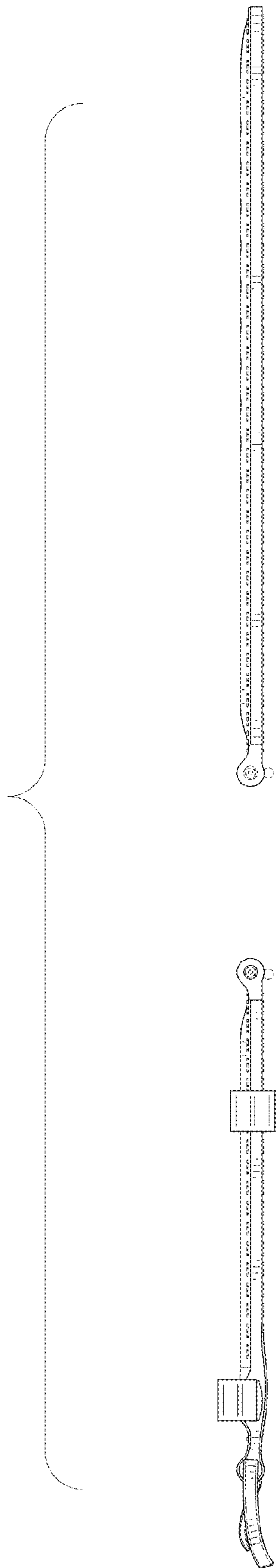


FIG. 8

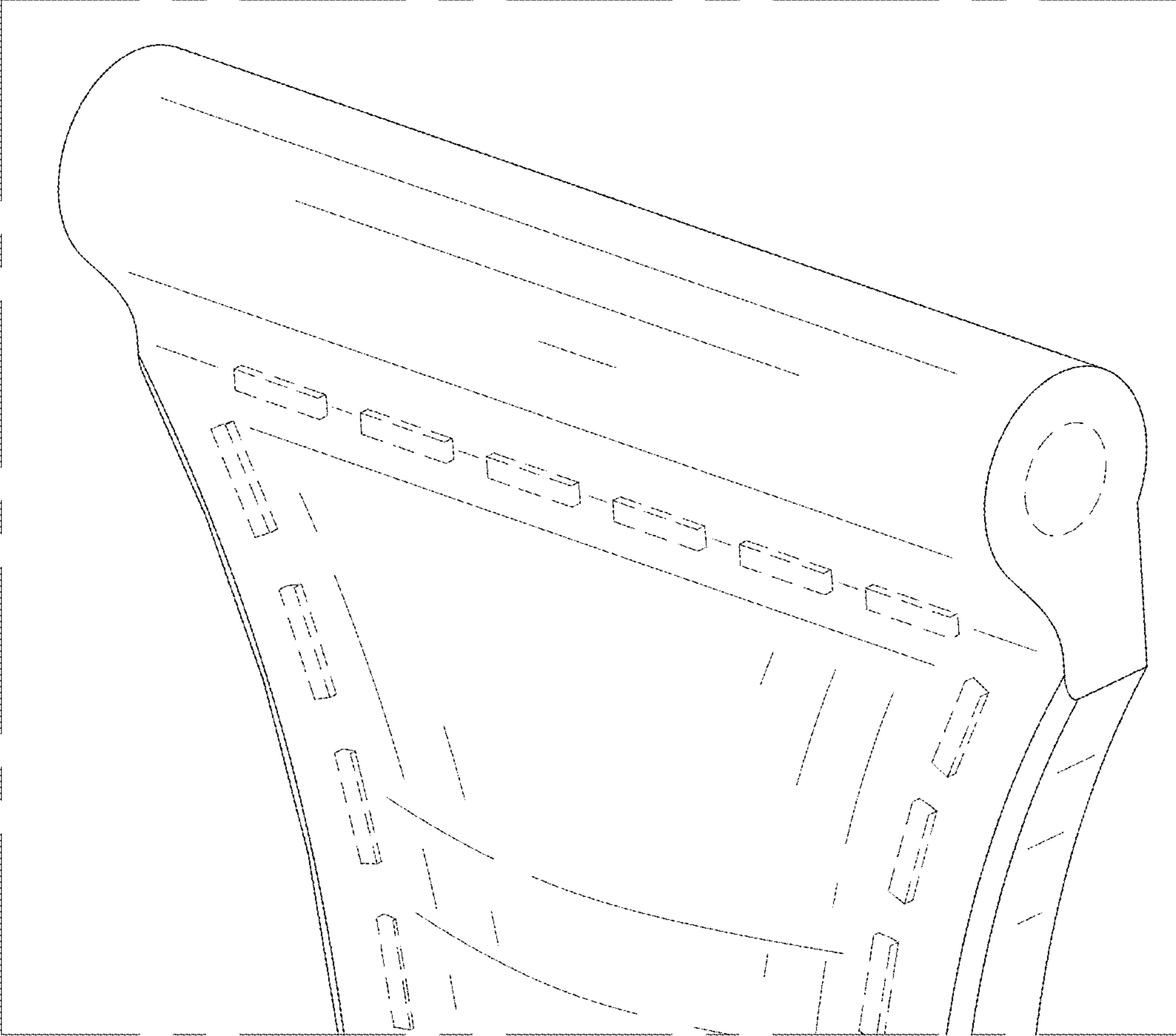


FIG. 9

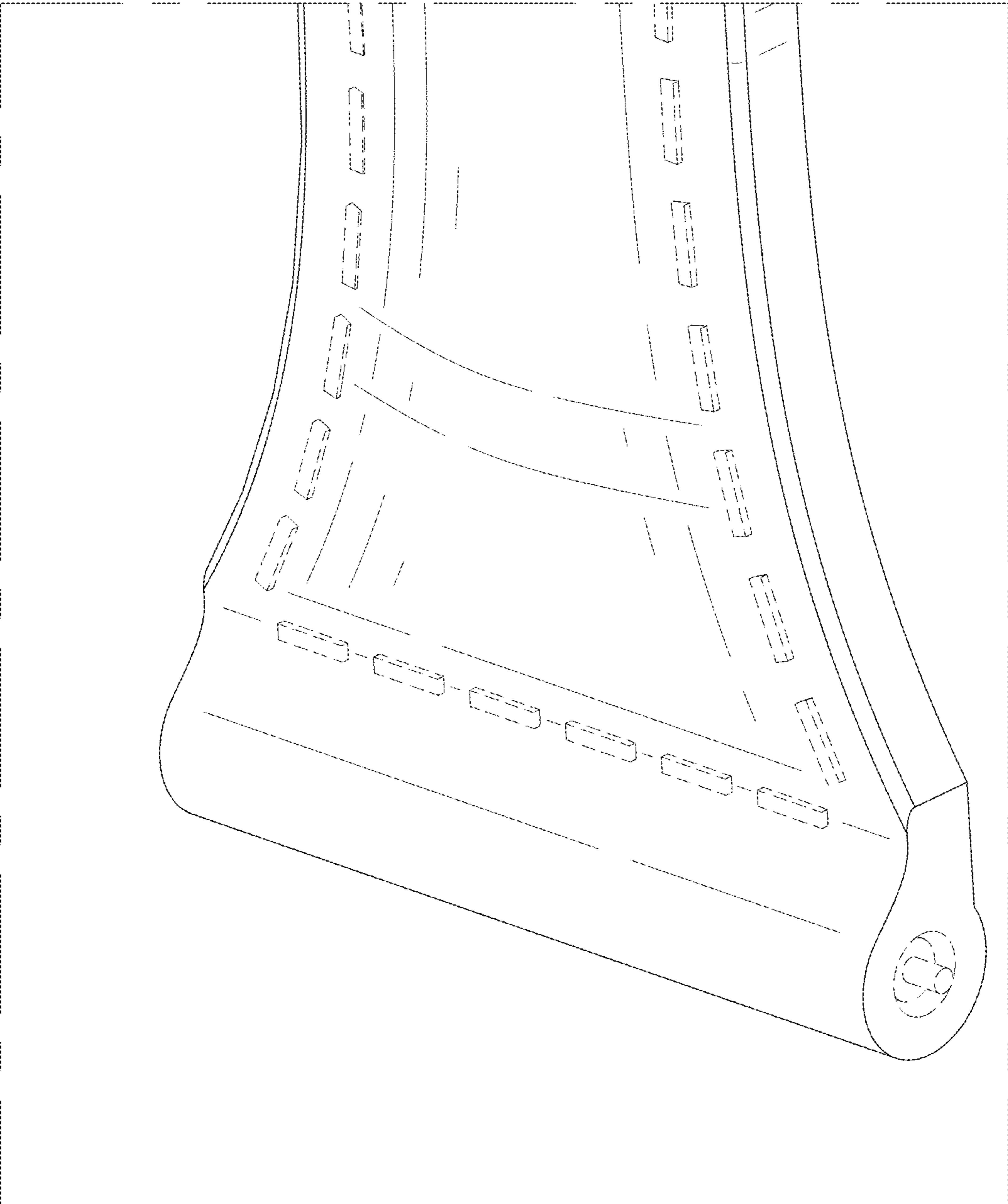


FIG. 10