



US00D879644S

(12) **United States Design Patent**
Deng et al.

(10) **Patent No.:** **US D879,644 S**
(45) **Date of Patent:** **** Mar. 31, 2020**

(54) **WATCHBAND**

(71) Applicant: **SHENZHEN BAILINNIAO TECHNOLOGY CO., LTD.**, Shenzhen (CN)

(72) Inventors: **Jianjie Deng**, Guilin (CN); **Xu Guang Zou**, Yueyang (CN)

(73) Assignee: **SHENZHEN BAILINNIAO TECHNOLOGY CO., LTD.**, Shenzhen (CN)

(**) Term: **15 Years**

(21) Appl. No.: **29/713,324**

(22) Filed: **Nov. 15, 2019**

Related U.S. Application Data

(63) Continuation-in-part of application No. 29/713,314, filed on Nov. 15, 2019.

(51) **LOC (12) Cl.** **11-01**

(52) **U.S. Cl.**
USPC **D11/3**

(58) **Field of Classification Search**
USPC D11/1-25, 86, 93, 94; D10/30-39, 70, D10/46; D24/186, 167; D14/344
CPC G04B 37/1486; G04B 37/16; G04B 37/18; A44C 5/14; A44C 5/0053; A44C 5/0069; A44C 5/0076; A44C 5/00; A44C 5/0007; A44C 5/0015; A44C 5/0023; A44C 5/003; A44C 5/0061; A44C 5/12; A44C 5/147; A44C 5/18; A44C 5/185
See application file for complete search history.

(56) **References Cited**

U.S. PATENT DOCUMENTS

D141,753 S * 7/1945 Du Bois D11/3
3,983,483 A * 9/1976 Pando H01Q 1/273
455/90.2

D314,527 S * 2/1991 Kaneko D11/3
D417,236 S * 11/1999 Burrus D10/31
D727,197 S * 4/2015 Akana D11/3
D727,198 S * 4/2015 Akana D11/3
D747,997 S * 1/2016 Akana D11/3
D753,008 S * 4/2016 Akana D11/3
D768,025 S * 10/2016 Akana D11/3
D771,036 S * 11/2016 Akana D14/344
D781,171 S * 3/2017 Akana D11/3
D781,852 S * 3/2017 Yu D14/344
D791,634 S * 7/2017 Bang D11/3

(Continued)

Primary Examiner — Melanie Pellegrini

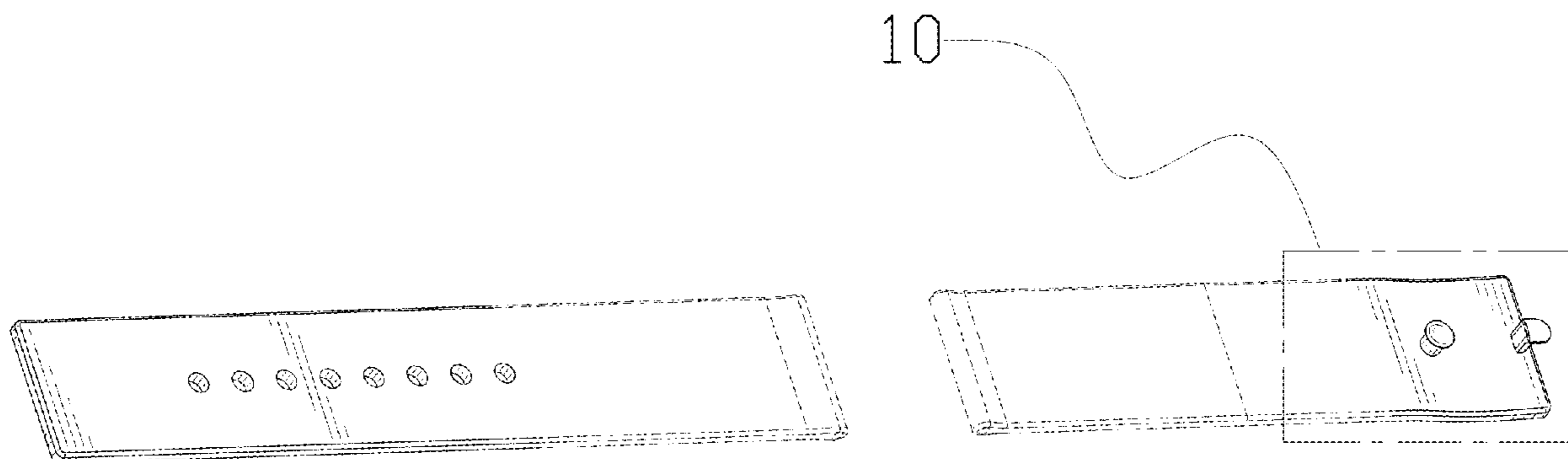
(57) **CLAIM**

The ornamental design for a watchband, as shown and described.

DESCRIPTION

FIG. 1 is a perspective view of a watchband showing my new design;
FIG. 2 is another perspective view thereof;
FIG. 3 is a front elevational view thereof;
FIG. 4 is a rear elevational view thereof;
FIG. 5 is a left side elevational view thereof;
FIG. 6 is a right side elevational view thereof;
FIG. 7 is a top plan view thereof;
FIG. 8 is a bottom plan view thereof;
FIG. 9 is a perspective view of the watchband where the watchband is in a configuration of use;
FIG. 10 is an enlarged view of portion 10 shown in FIG. 1; and,
FIG. 11 is an enlarged view of portion 11 shown in FIG. 2. The evenly spaced broken lines shown in the drawings illustrate portions of the watchband that form no part of the claimed design. The dot-dash style broken lines shown in FIGS. 1, 2, 10 and 11 represent a boundary which forms no part of the claimed design.

1 Claim, 11 Drawing Sheets



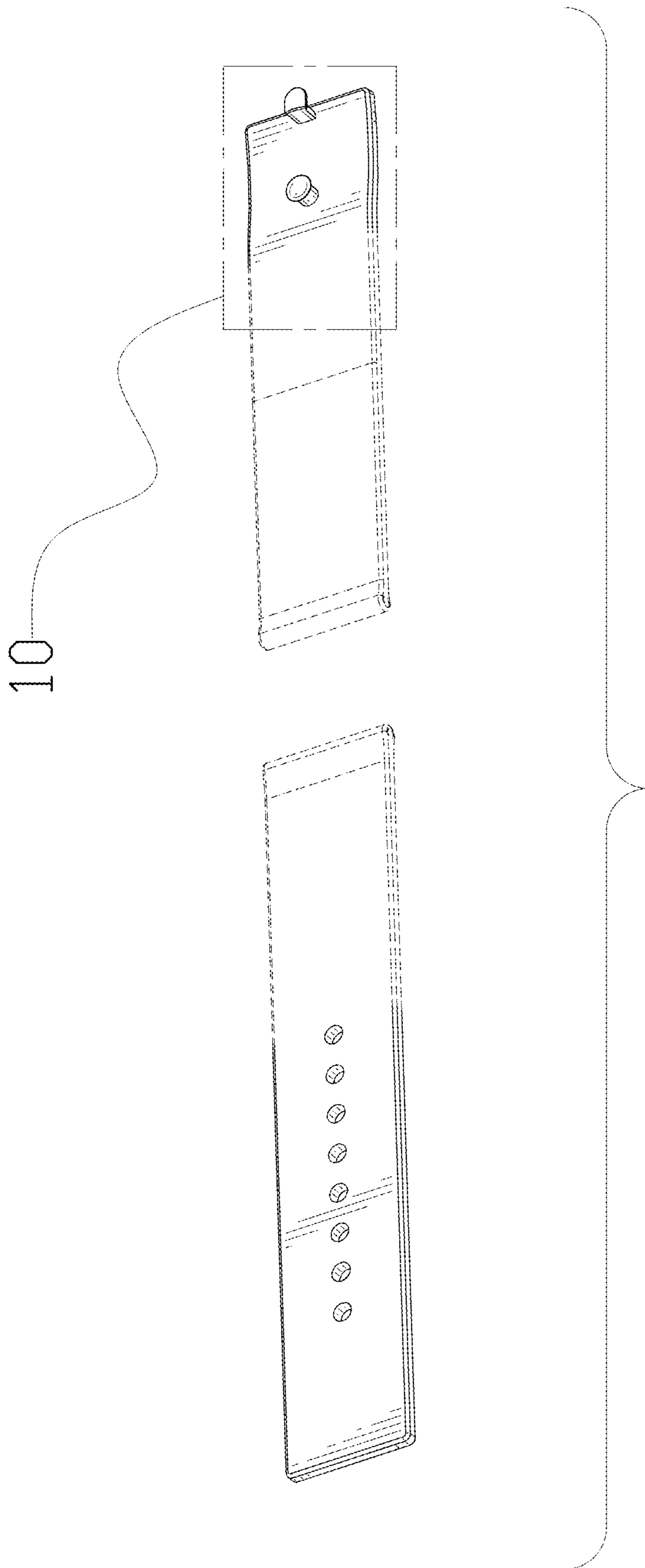
(56)

References Cited

U.S. PATENT DOCUMENTS

D798,183	S	*	9/2017	Monachon	D11/3
D800,007	S	*	10/2017	Tibi	D11/3
D802,465	S		11/2017	Dukerschein et al.		
D802,467	S	*	11/2017	Novak	D11/3
D837,674	S	*	1/2019	Akana	D11/3
D854,439	S	*	7/2019	Dukerschein	D11/3
D859,201	S	*	9/2019	Akana	D11/3
D861,529	S	*	10/2019	Herz	D11/3
D862,276	S	*	10/2019	Herz	D11/3
D863,094	S	*	10/2019	Akana	D11/3
D868,616	S	*	12/2019	Deng	D11/94
D869,322	S	*	12/2019	Akana	D11/3
D869,983	S	*	12/2019	Deng	D11/94
D871,249	S	*	12/2019	Deng	D11/94
2017/0181510	A1	*	6/2017	Novak	A44C 5/147

* cited by examiner



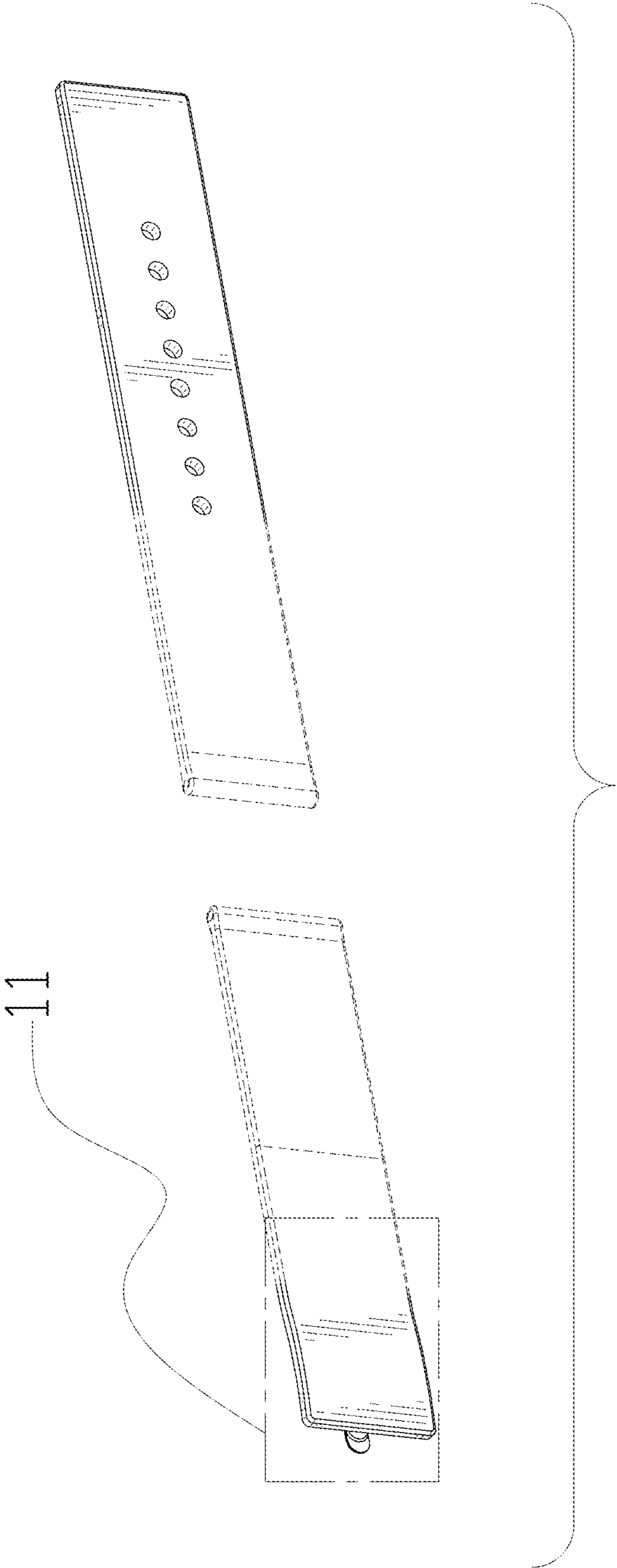


FIG. 2

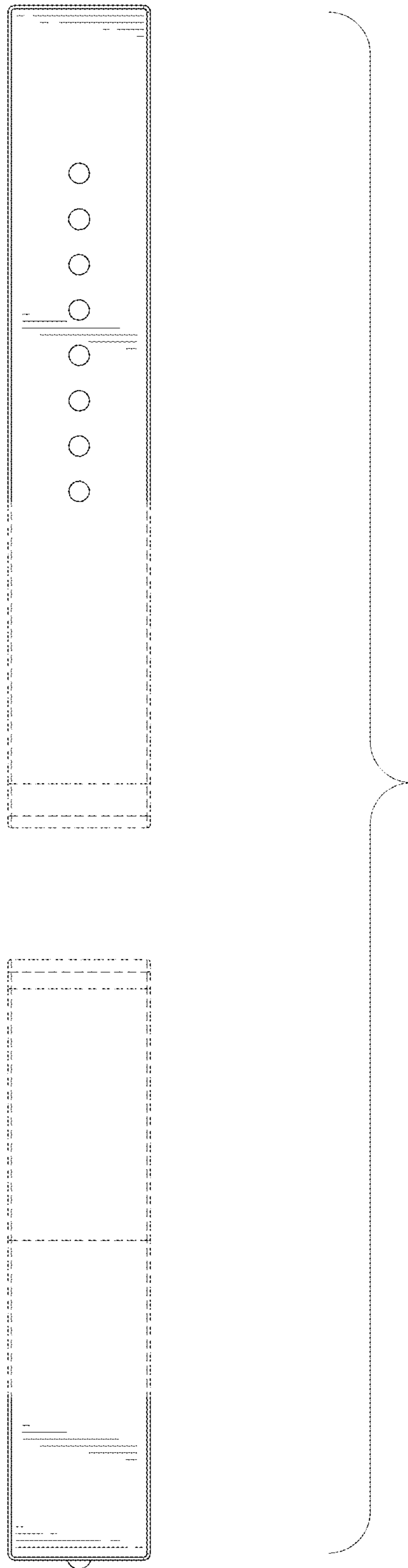


FIG. 3

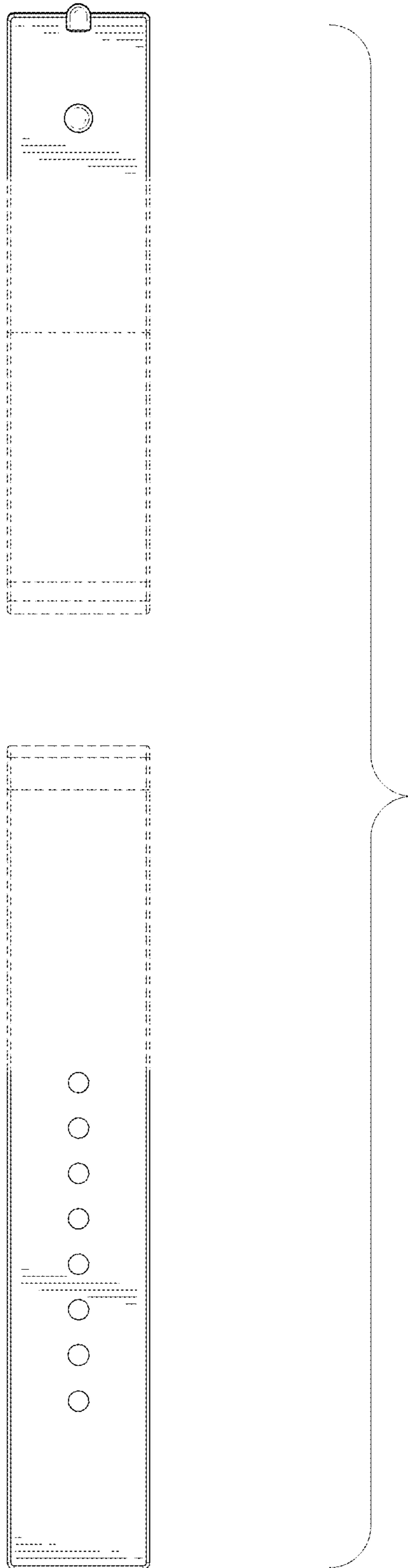


FIG. 4

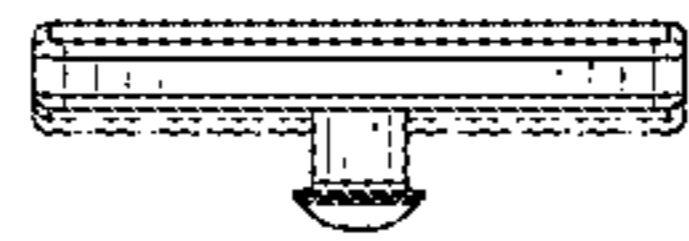


FIG. 5



FIG. 6

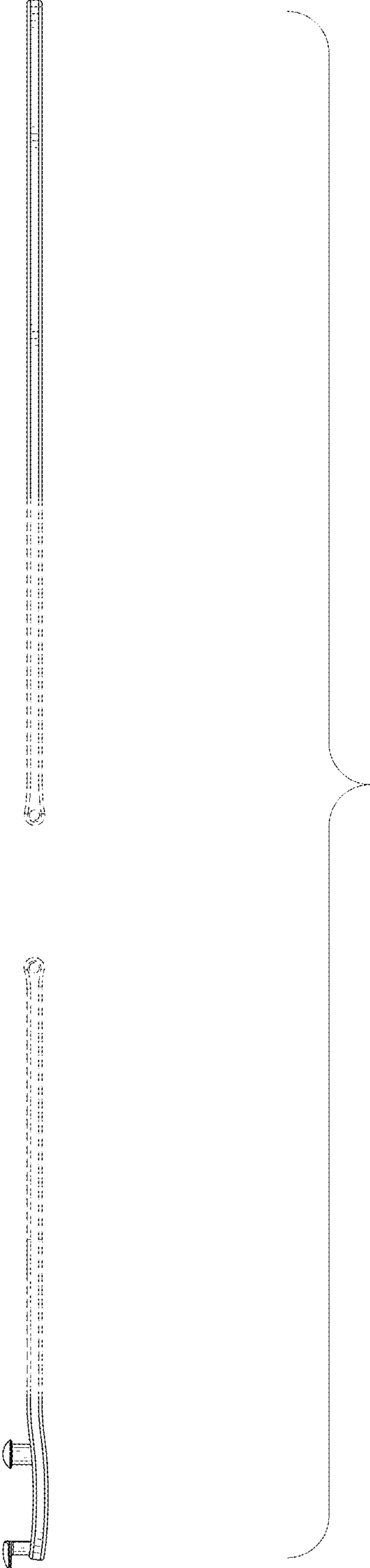


FIG. 7

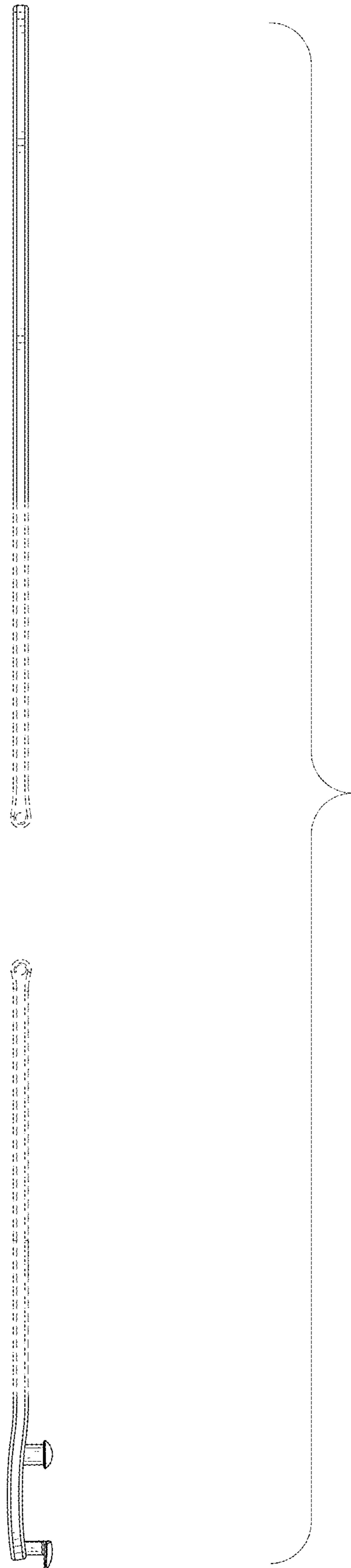


FIG. 8

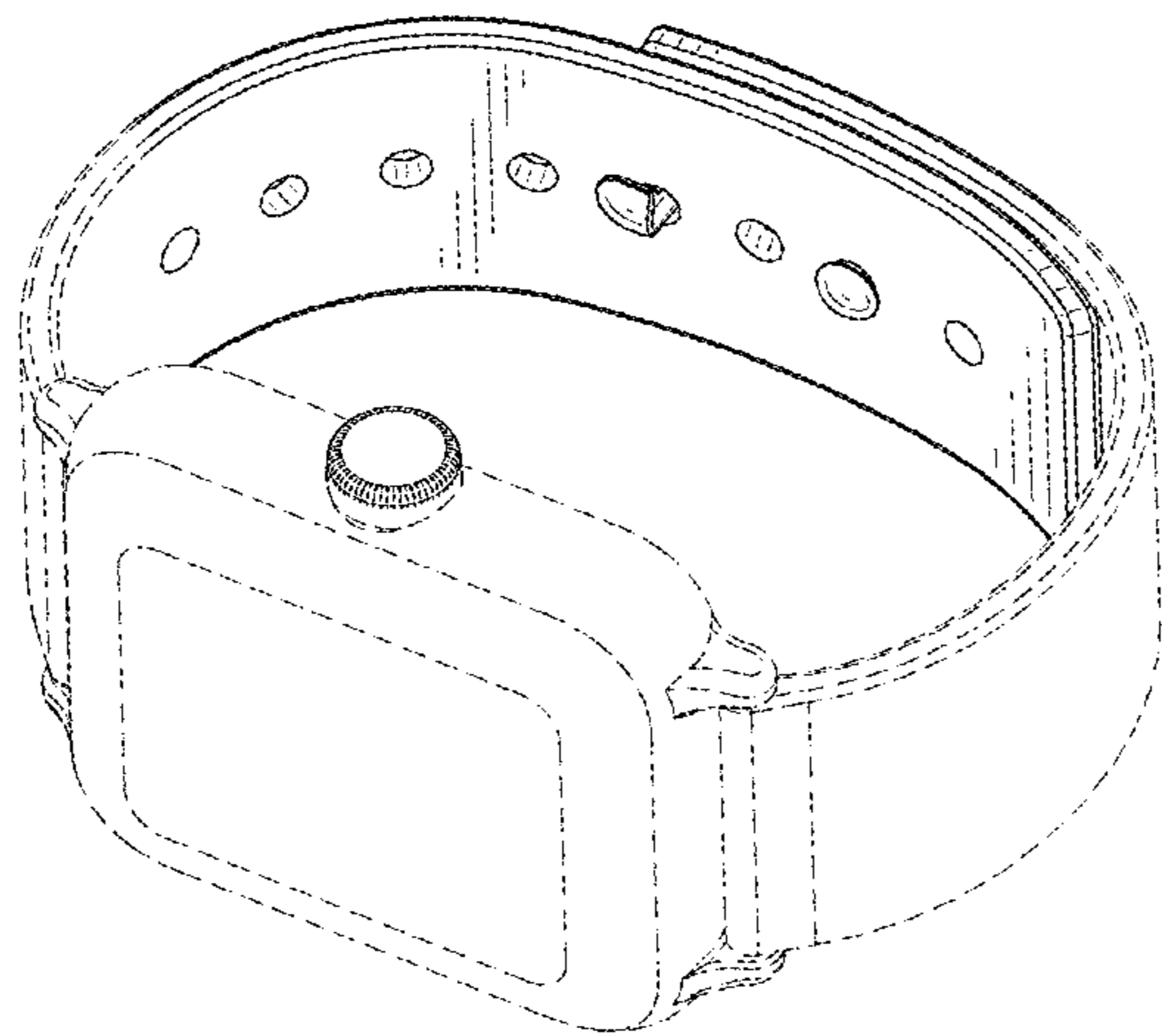


FIG. 9

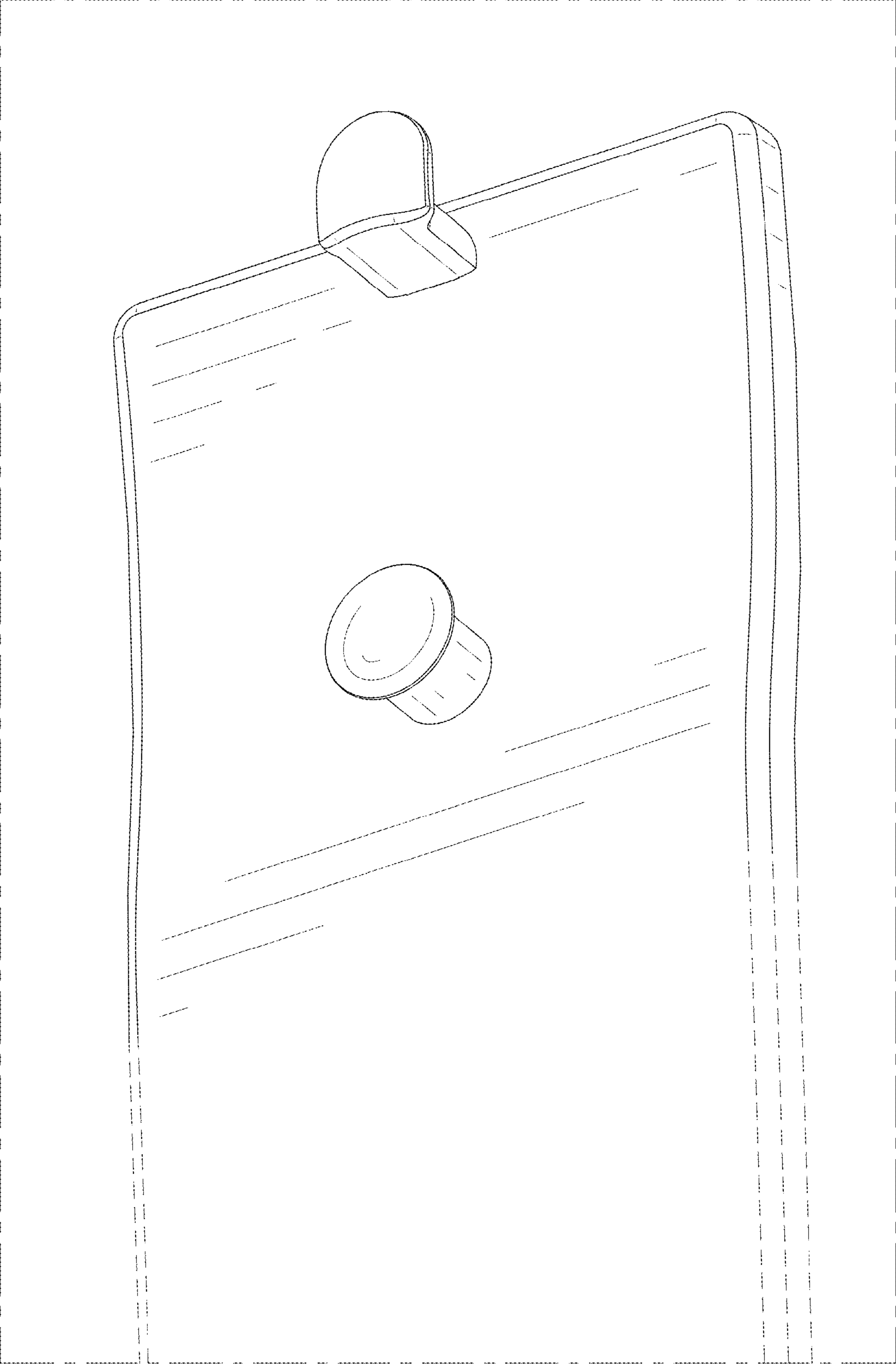


FIG. 10

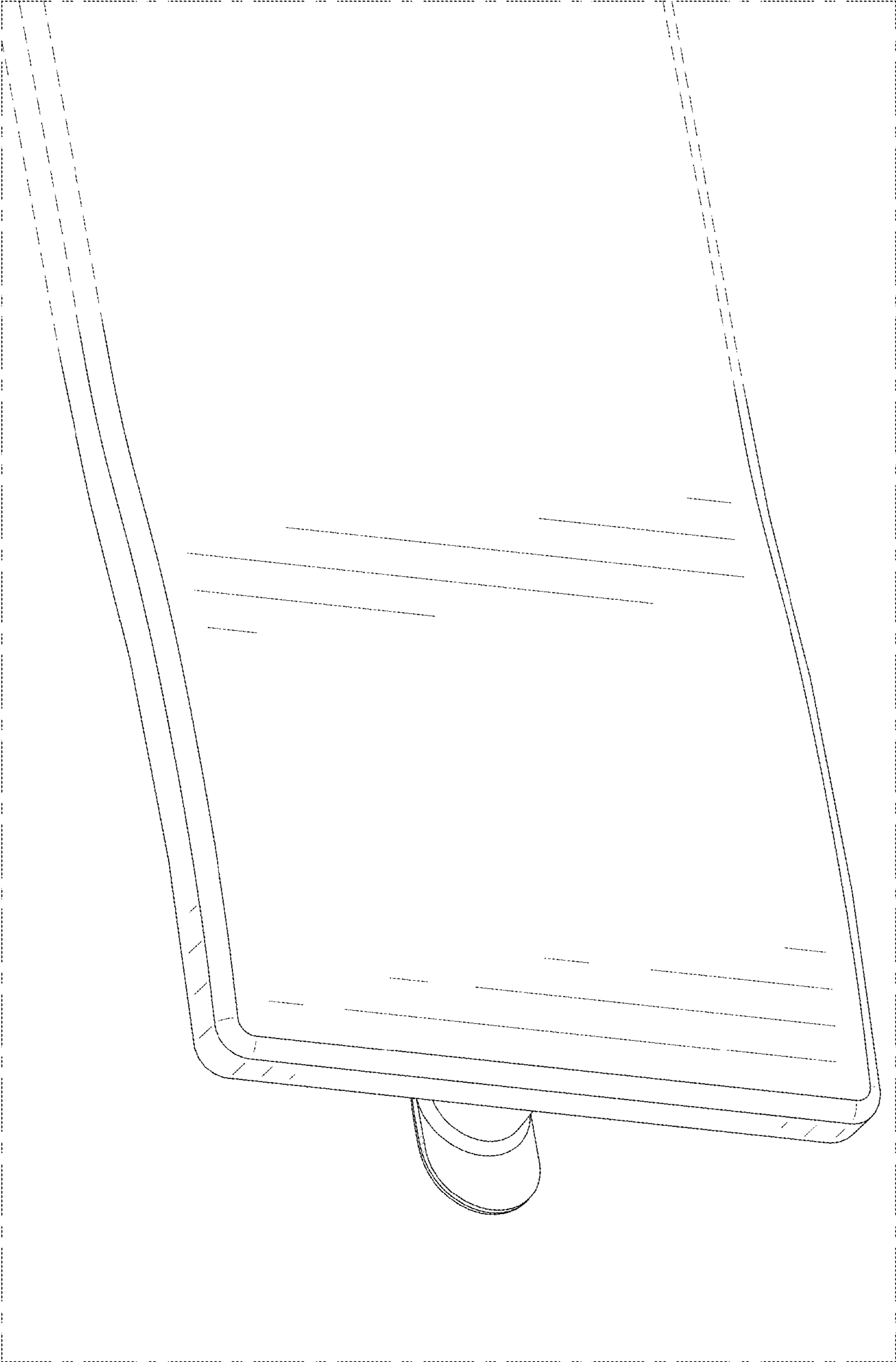


FIG. 11