



US00D879643S

(12) **United States Design Patent**
Deng et al.

(10) **Patent No.:** **US D879,643 S**
(45) **Date of Patent:** **** Mar. 31, 2020**

(54) **WATCHBAND**

(71) Applicant: **SHENZHEN BAILINNAO TECHNOLOGY CO., LTD.**, Shenzhen (CN)

(72) Inventors: **Jianjie Deng**, Guilin (CN); **Xu Guang Zou**, Yueyang (CN)

(73) Assignee: **SHENZHEN BAILINNAO TECHNOLOGY CO., LTD.**, Shenzhen (CN)

(**) Term: **15 Years**

(21) Appl. No.: **29/713,314**

(22) Filed: **Nov. 15, 2019**

(51) **LOC (12) Cl.** **11-01**

(52) **U.S. Cl.**
USPC **D11/3**

(58) **Field of Classification Search**
USPC D11/1–25, 86, 93, 94; D10/30–39, 70, D10/46; D24/186, 167; D14/344
CPC G04B 37/1486; G04B 37/16; G04B 37/18; A44C 5/14; A44C 5/0053; A44C 5/0069; A44C 5/0076; A44C 5/00; A44C 5/0007; A44C 5/0015; A44C 5/0023; A44C 5/003; A44C 5/0061; A44C 5/12; A44C 5/147; A44C 5/18; A44C 5/185
See application file for complete search history.

(56) **References Cited**

U.S. PATENT DOCUMENTS

| | | | |
|--------------|---------|---------|--------|
| D314,527 S | 2/1991 | Kaneko | |
| D393,427 S | 4/1998 | Okumura | |
| D417,236 S * | 11/1999 | Burrus | D10/31 |
| D724,469 S * | 3/2015 | Akana | D11/3 |
| D727,197 S * | 4/2015 | Akana | D11/3 |
| D747,997 S * | 1/2016 | Akana | D11/3 |

| | | | |
|--------------|---------|-------|---------|
| D771,035 S * | 11/2016 | Akana | D14/344 |
| D771,037 S * | 11/2016 | Akana | D14/344 |
| D790,366 S * | 6/2017 | Nuovo | D10/103 |
| D798,760 S * | 10/2017 | Akana | D11/3 |
| D802,467 S * | 11/2017 | Novak | D11/3 |
| D822,525 S * | 7/2018 | Akana | D11/3 |
| D837,674 S * | 1/2019 | Akana | D11/3 |
| D859,201 S * | 9/2019 | Akana | D11/3 |
| D863,094 S * | 10/2019 | Akana | D11/3 |
| D868,616 S * | 12/2019 | Deng | D11/94 |
| D869,322 S * | 12/2019 | Akana | D11/3 |
| D869,983 S * | 12/2019 | Deng | D11/94 |

(Continued)

Primary Examiner — Melanie Pellegrini

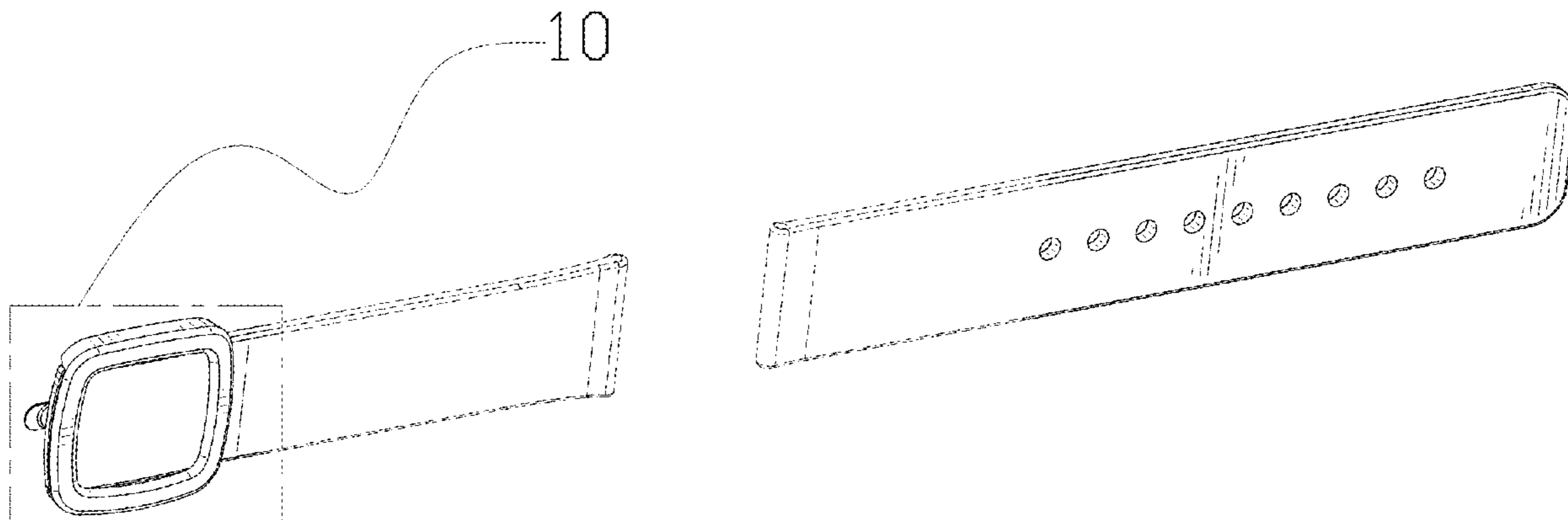
(57) **CLAIM**

The ornamental design for a watchband, as shown and described.

DESCRIPTION

FIG. 1 is a perspective view of a watchband showing my new design;
FIG. 2 is another perspective view thereof;
FIG. 3 is a front elevational view thereof;
FIG. 4 is a rear elevational view thereof;
FIG. 5 is a left side elevational view thereof;
FIG. 6 is a right side elevational view thereof;
FIG. 7 is a top plan view thereof;
FIG. 8 is a bottom plan view thereof;
FIG. 9 is a perspective view of the watchband where the watchband is in a configuration of use;
FIG. 10 is an enlarged view of portion 10 shown in FIG. 1; and,
FIG. 11 is an enlarged view of portion 11 shown in FIG. 2. The evenly spaced broken lines shown in the drawings illustrate portions of the watchband that form no part of the claimed design. The dot-dash style broken lines shown in FIGS. 1, 2, 10 and 11 represent a boundary which forms no part of the claimed design.

1 Claim, 11 Drawing Sheets



(56)

References Cited

U.S. PATENT DOCUMENTS

D871,249 S * 12/2019 Deng D11/94
2017/0181510 A1* 6/2017 Novak A44C 5/147

* cited by examiner

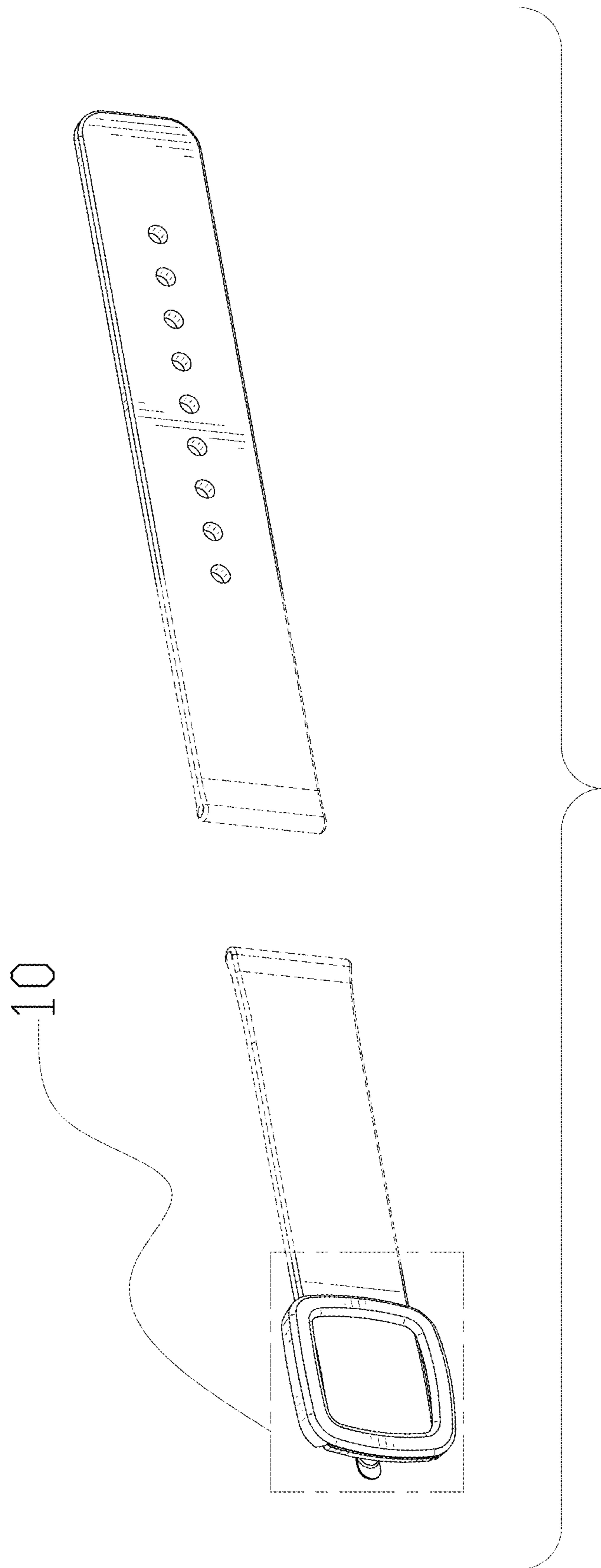


FIG. 1

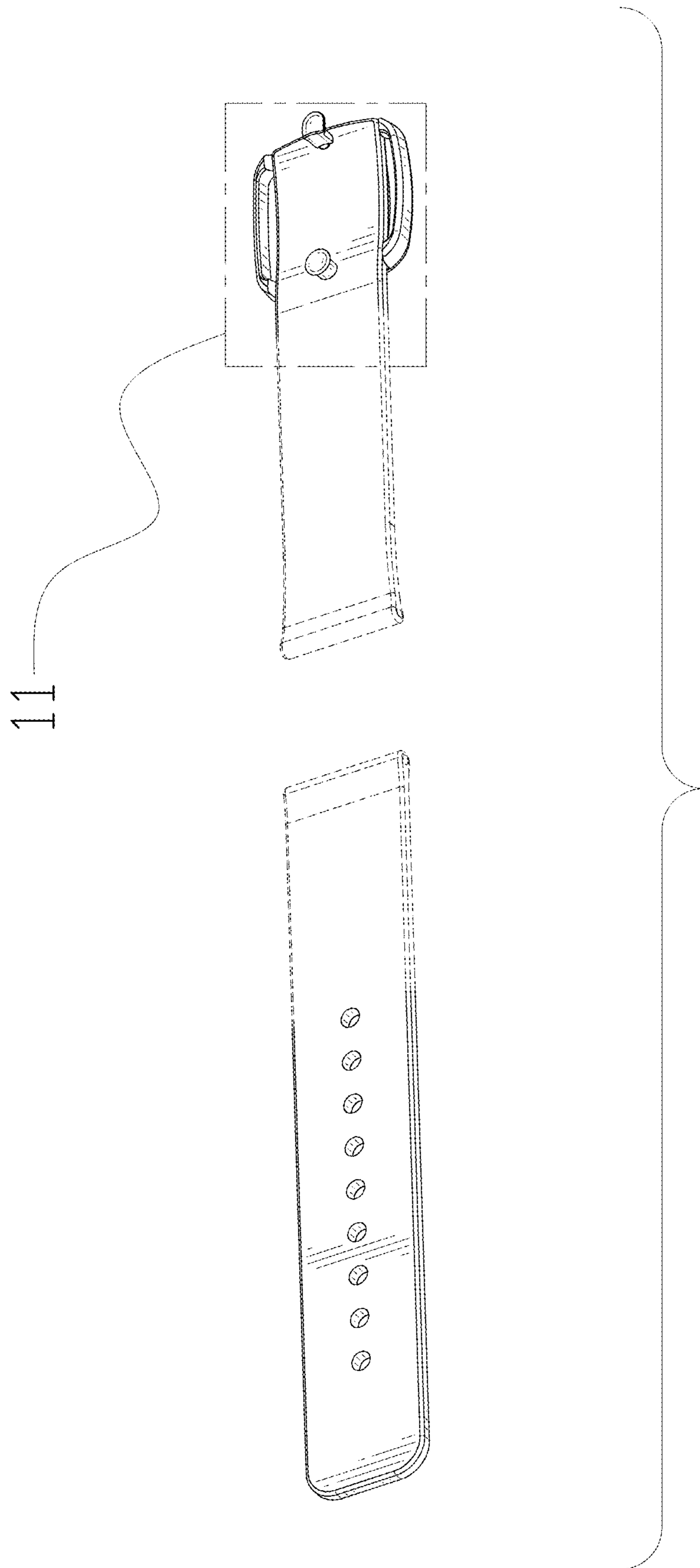


FIG. 2

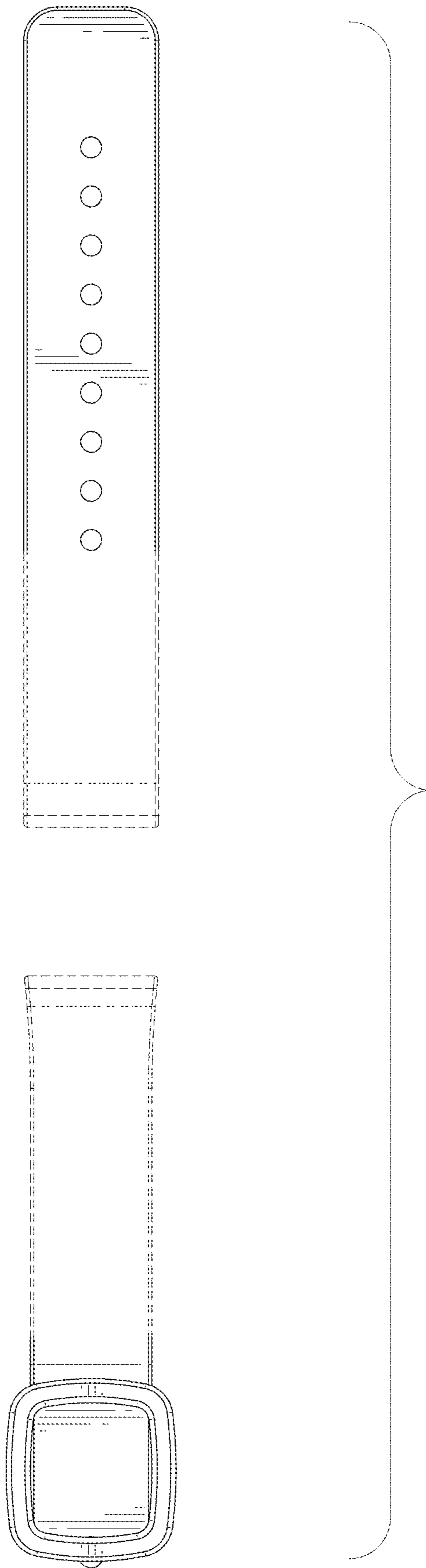


FIG. 3

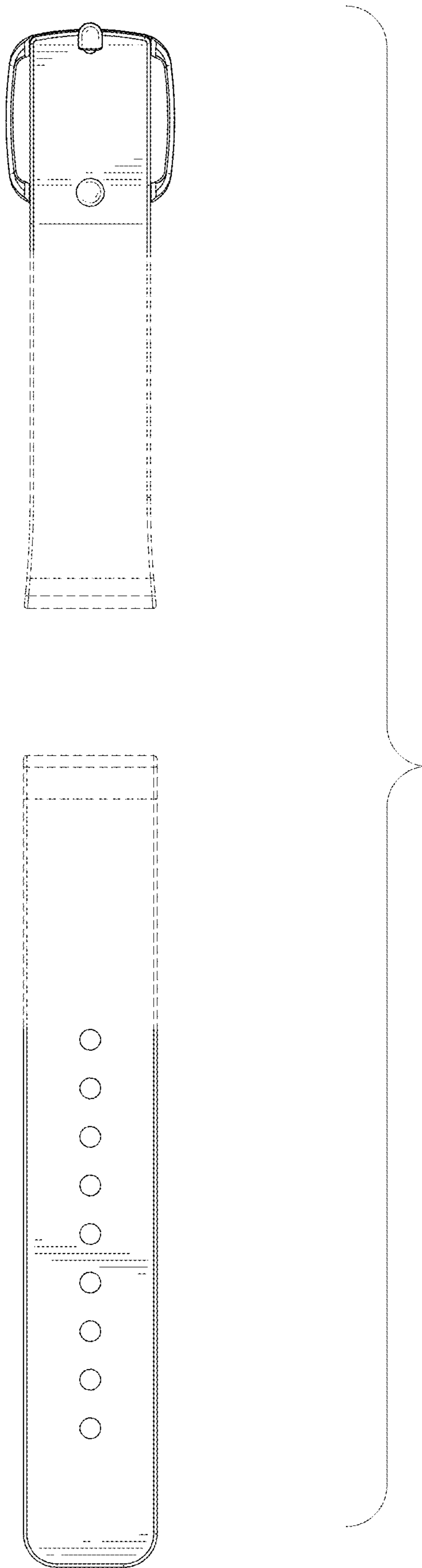


FIG. 4

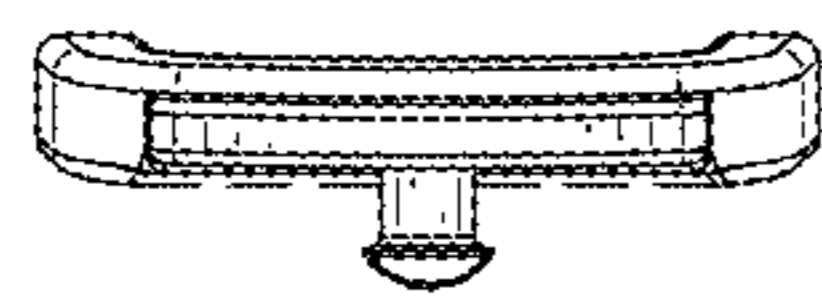


FIG. 5

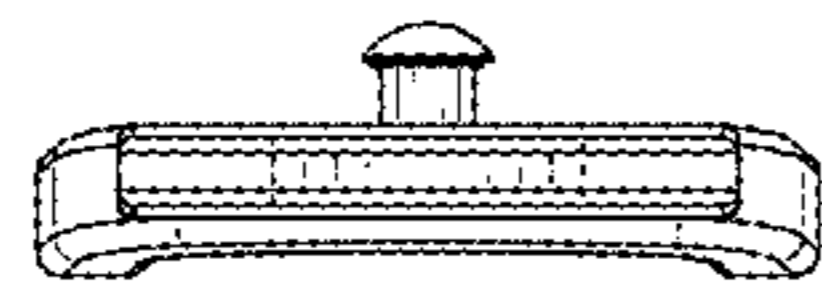


FIG. 6

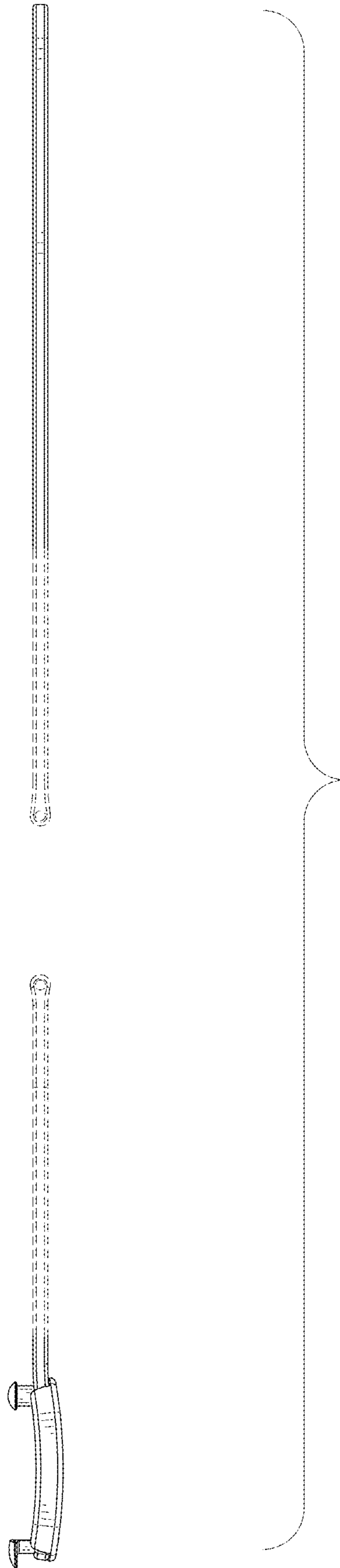


FIG. 7

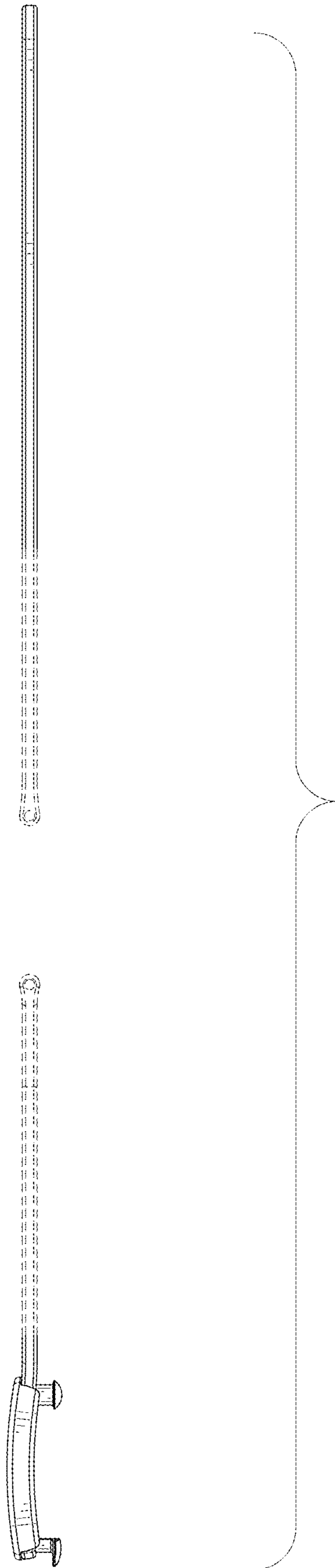


FIG. 8

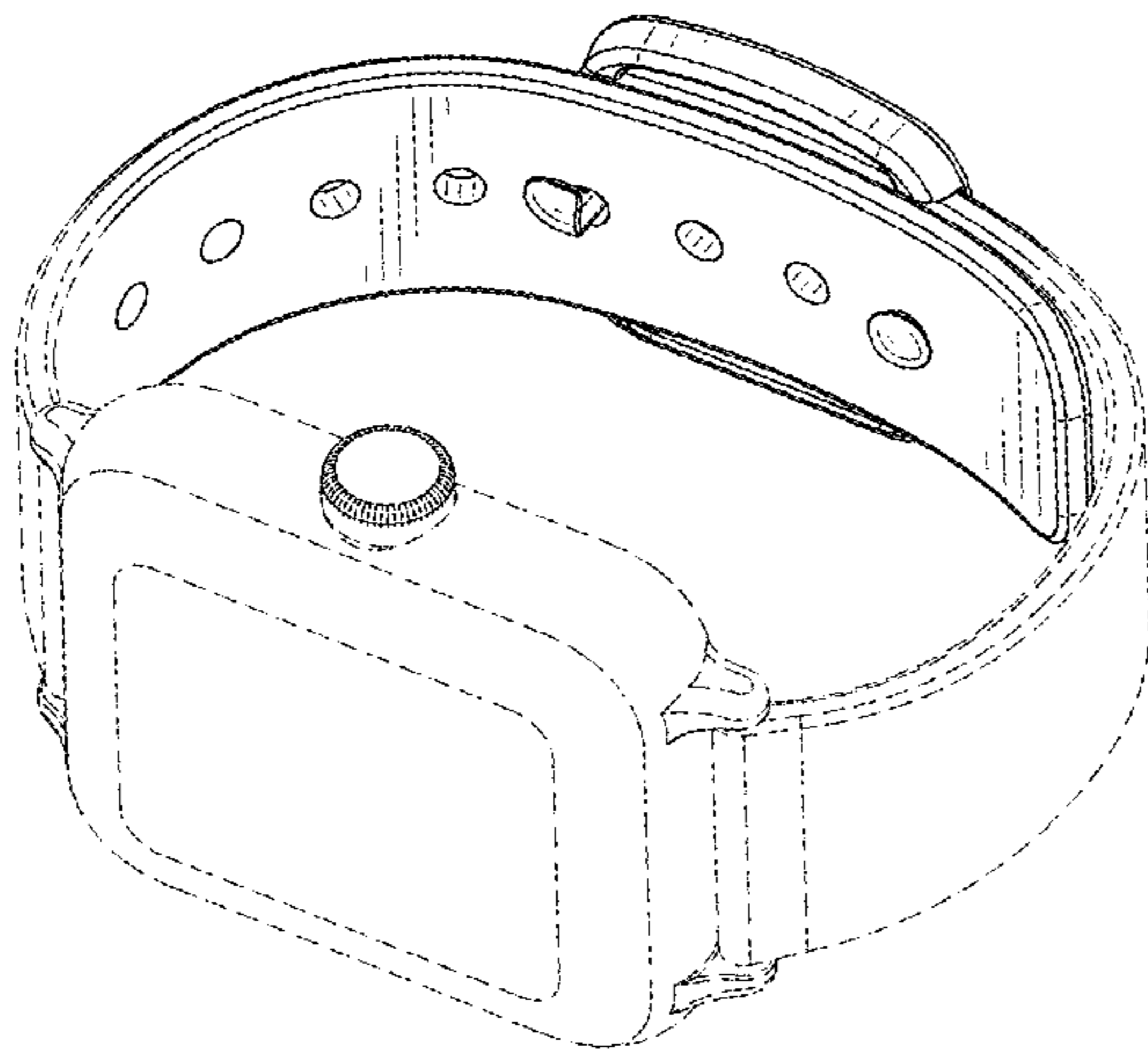


FIG. 9

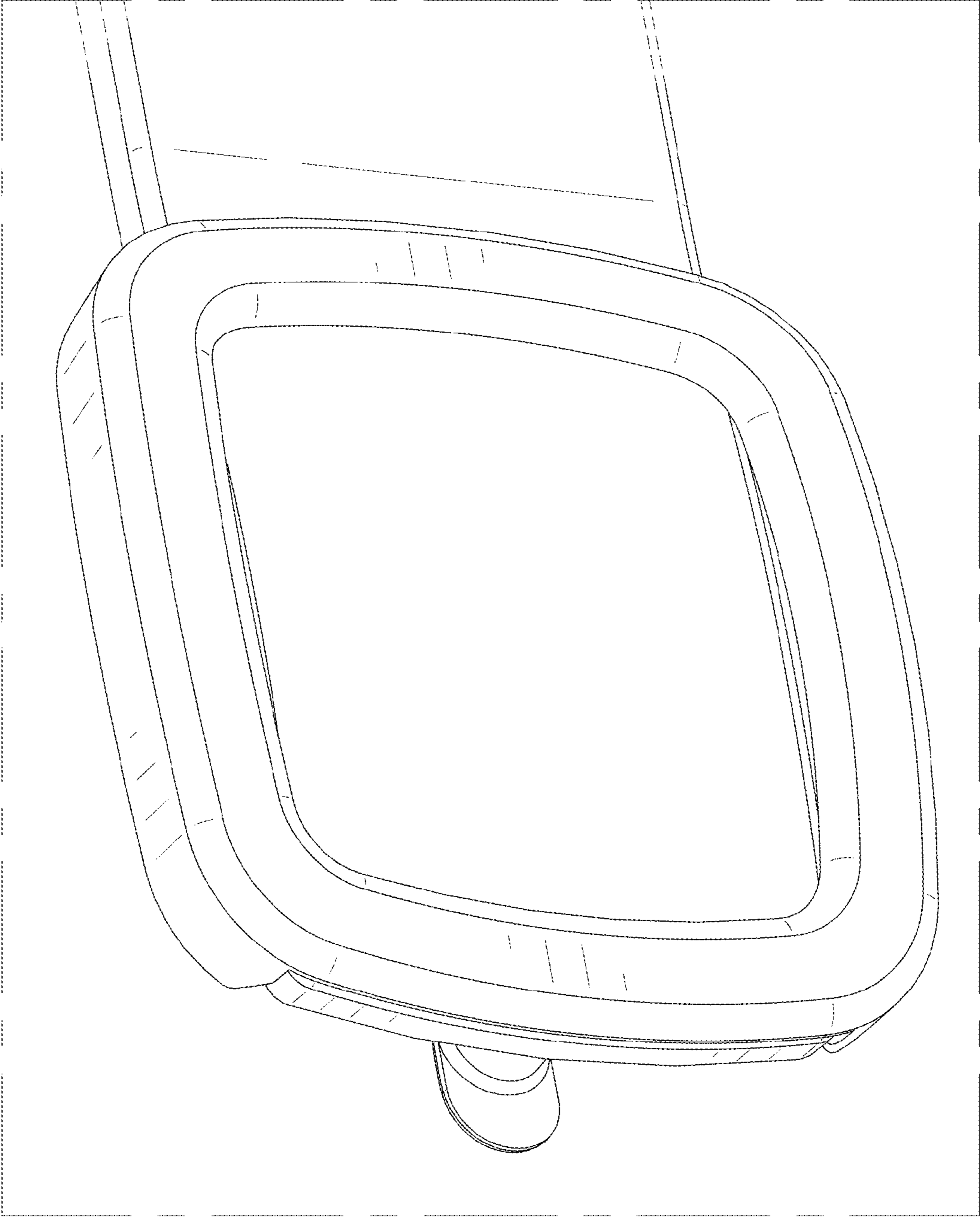


FIG. 10

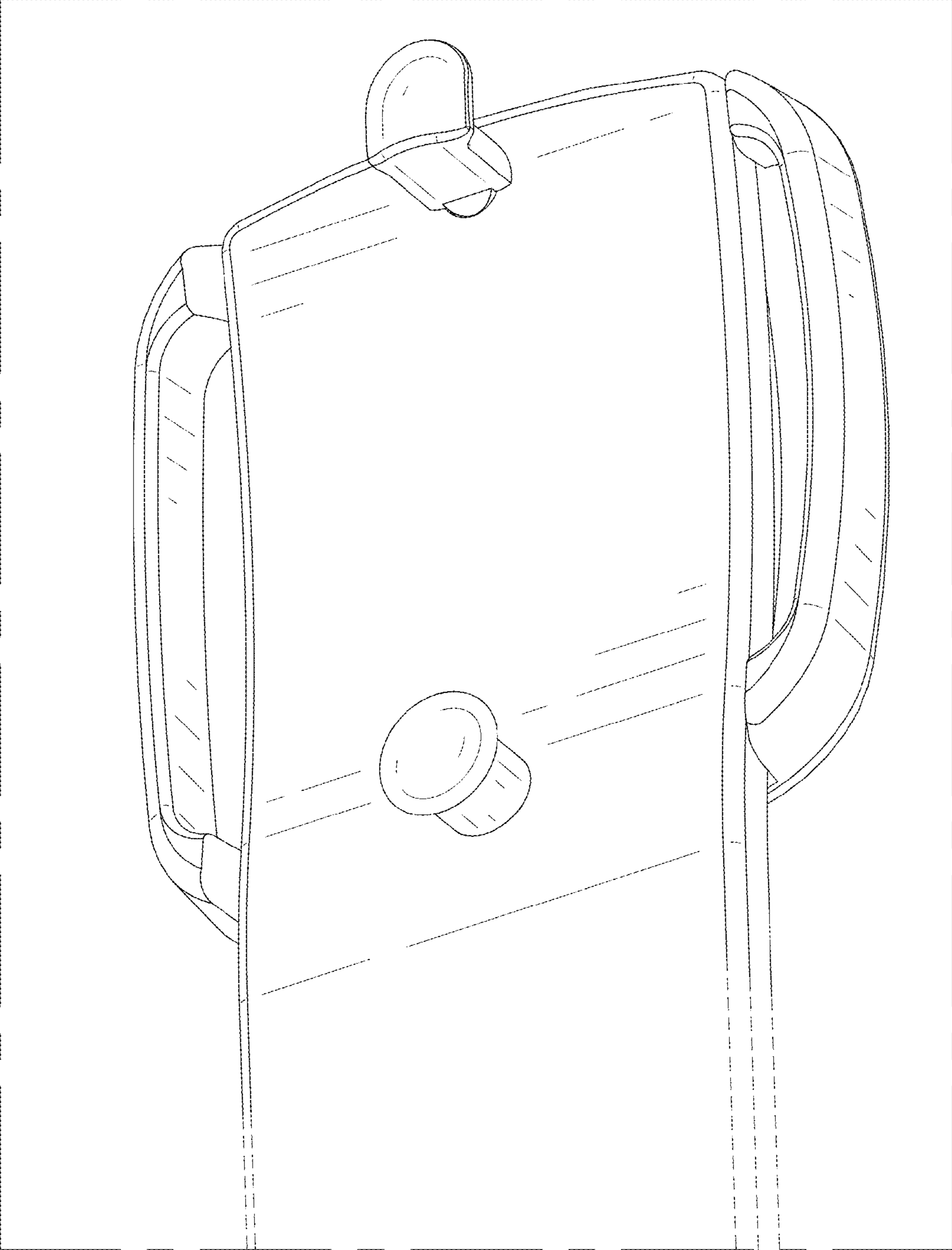


FIG. 11