



US00D879638S

(12) **United States Design Patent**
Pan

(10) **Patent No.:** **US D879,638 S**
(45) **Date of Patent:** **** Mar. 31, 2020**

- (54) **BEACON COVER FOR VEHICLE**
- (71) Applicant: **Juluon Enterprise Co., Ltd.**, New Taipei (TW)
- (72) Inventor: **Pei-Chun Pan**, New Taipei (TW)
- (73) Assignee: **Juluon Enterprise Co., Ltd.**, New Taipei (TW)
- (**) Term: **15 Years**
- (21) Appl. No.: **29/630,191**
- (22) Filed: **Dec. 20, 2017**
- (51) **LOC (12) Cl.** **10-05**
- (52) **U.S. Cl.**
USPC **D10/114.8**
- (58) **Field of Classification Search**
USPC D10/114.3, 114.8, 114.2, 114.1, 114.5;
D14/218, 230, 233; D26/28, 29, 24, 37,
D26/118, 120
CPC B60Q 1/26
See application file for complete search history.

(56) **References Cited**

U.S. PATENT DOCUMENTS

- 2,810,065 A * 10/1957 Peck B64D 47/06
362/35
- 3,221,162 A * 11/1965 Heenan B63B 22/166
362/477
- 3,253,276 A * 5/1966 Nagel F21V 13/04
340/815.76
- 3,271,735 A * 9/1966 Gosswiller B60Q 1/2611
340/473
- 3,325,930 A * 6/1967 Braeutigam G09F 19/00
40/473
- 3,622,979 A * 11/1971 Dickerson B60Q 1/2611
340/473
- 3,723,725 A * 3/1973 Jaeger B60Q 1/2611
362/35

- 3,784,809 A * 1/1974 Smith B60Q 1/2611
362/35
- 3,818,218 A * 6/1974 Heenan F21V 5/045
362/297
- D256,001 S * 7/1980 Curran D10/111
- 5,006,971 A * 4/1991 Jenkins G08B 5/006
362/103
- 5,103,383 A * 4/1992 Mayhew B60Q 7/00
362/158
- D326,237 S * 5/1992 Gale D10/114.8
- D355,864 S * 2/1995 Lantz D10/114.8
- 5,567,036 A * 10/1996 Theobald B60Q 1/2607
362/485
- D402,577 S * 12/1998 Payne D10/114.8
- 5,882,109 A * 3/1999 McKinney B60Q 1/2657
340/984
- RE36,790 E * 7/2000 Jincks B60Q 1/2611
246/473.3
- 7,168,827 B2 * 1/2007 Stein B60Q 1/2611
362/299

(Continued)

Primary Examiner — Kevin K Rudzinski
(74) *Attorney, Agent, or Firm* — Winston Hsu

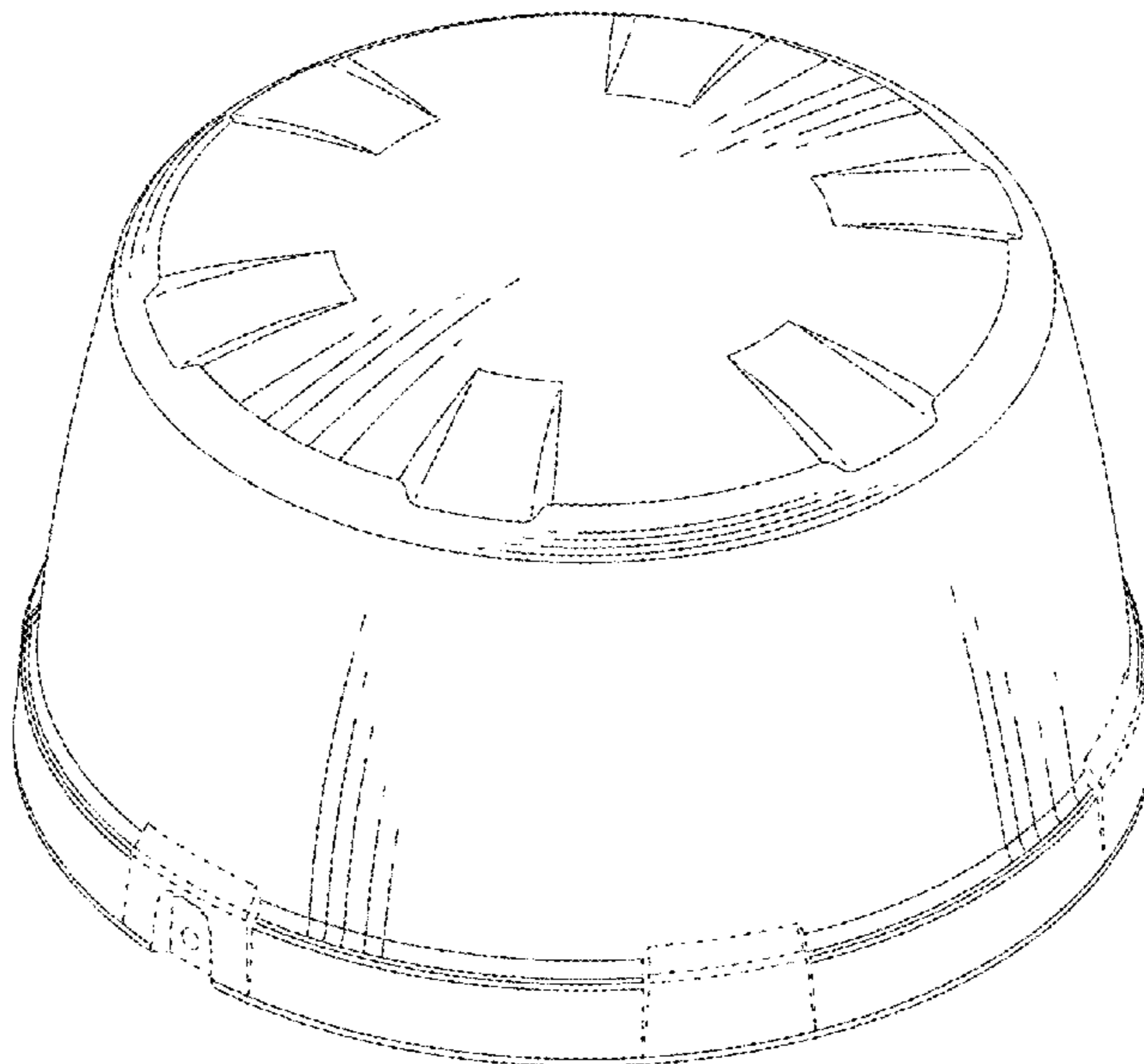
(57) **CLAIM**

The ornamental design for a beacon cover for vehicle, as shown and described.

DESCRIPTION

FIG. 1 is a perspective view of a beacon cover for vehicle showing my new design;
FIG. 2 is a front view thereof, the rear view being mirror symmetrical;
FIG. 3 is a left thereof, the right view being mirror symmetrical;
FIG. 4 is a top view thereof;
FIG. 5 is a bottom view thereof; and,
FIG. 6 is a sectional view taken along line 6-6 in FIG. 2. The broken lines depict portions of the beacon cover for vehicle that form no part of the claimed design.

1 Claim, 6 Drawing Sheets



(56)

References Cited

U.S. PATENT DOCUMENTS

D544,805 S *	6/2007	Corrigan	D10/111	D790,514 S *	6/2017	Woodward	D10/65
D570,722 S *	6/2008	Taylor	D10/114.8	D806,691 S *	1/2018	Andersson	D14/240
D579,811 S *	11/2008	Cambell	D10/114.1	D820,238 S *	6/2018	Boshernitzan	D14/218
D592,088 S *	5/2009	Miller	D10/114.8	D829,696 S *	10/2018	Wallace	D14/233
D601,053 S *	9/2009	Ferrie	D10/114.8	10,151,444 B1 *	12/2018	Tsai	F21V 7/05
D617,022 S *	6/2010	Kung	D26/37	10,309,595 B1 *	6/2019	Datz	F21S 9/022
D626,442 S *	11/2010	Jackson	D10/114.8	D865,559 S *	11/2019	Olsen	D10/114.2
D629,709 S *	12/2010	Bulman-Fleming	D10/114.8	D868,017 S *	11/2019	Aaron	D14/140.6
D634,308 S *	3/2011	Bliss	D14/233	2005/0110649 A1 *	5/2005	Fredericks	B64D 47/06
D647,227 S *	10/2011	Kaule	D26/24					340/815.45
D684,078 S *	6/2013	Clifford	D10/114.2	2006/0132323 A1 *	6/2006	Grady, Jr.	G08B 5/36
D701,466 S *	3/2014	Clifford	D10/114.2					340/815.45
9,035,786 B2 *	5/2015	Clifford	B60Q 1/2611	2007/0164875 A1 *	7/2007	Fredericks	B64D 47/06
				340/815.45					340/815.45
9,228,713 B2 *	1/2016	Skertich, Jr.	F21V 5/04	2007/0253192 A1 *	11/2007	Monteiro	F21V 15/00
D757,585 S *	5/2016	Hojmose	D10/106.1					362/147
D758,230 S *	6/2016	Hojmose	D10/106.5	2008/0106430 A1 *	5/2008	Yeh	F21V 19/0055
9,409,512 B2 *	8/2016	Stein	B60Q 1/2611					340/815.73
					2010/0244748 A1 *	9/2010	Haab	B60Q 1/2611
									315/313

* cited by examiner

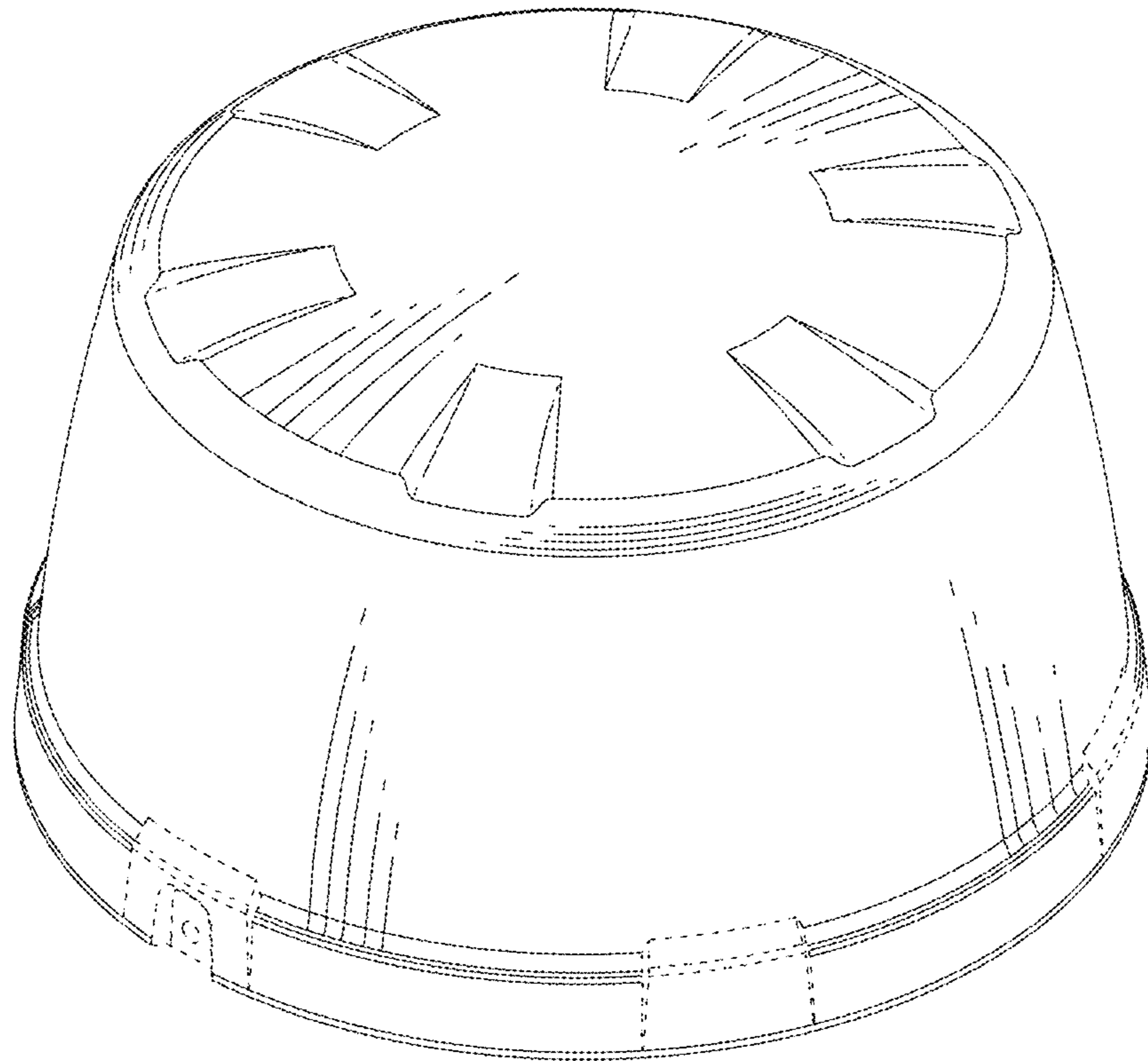


FIG. 1

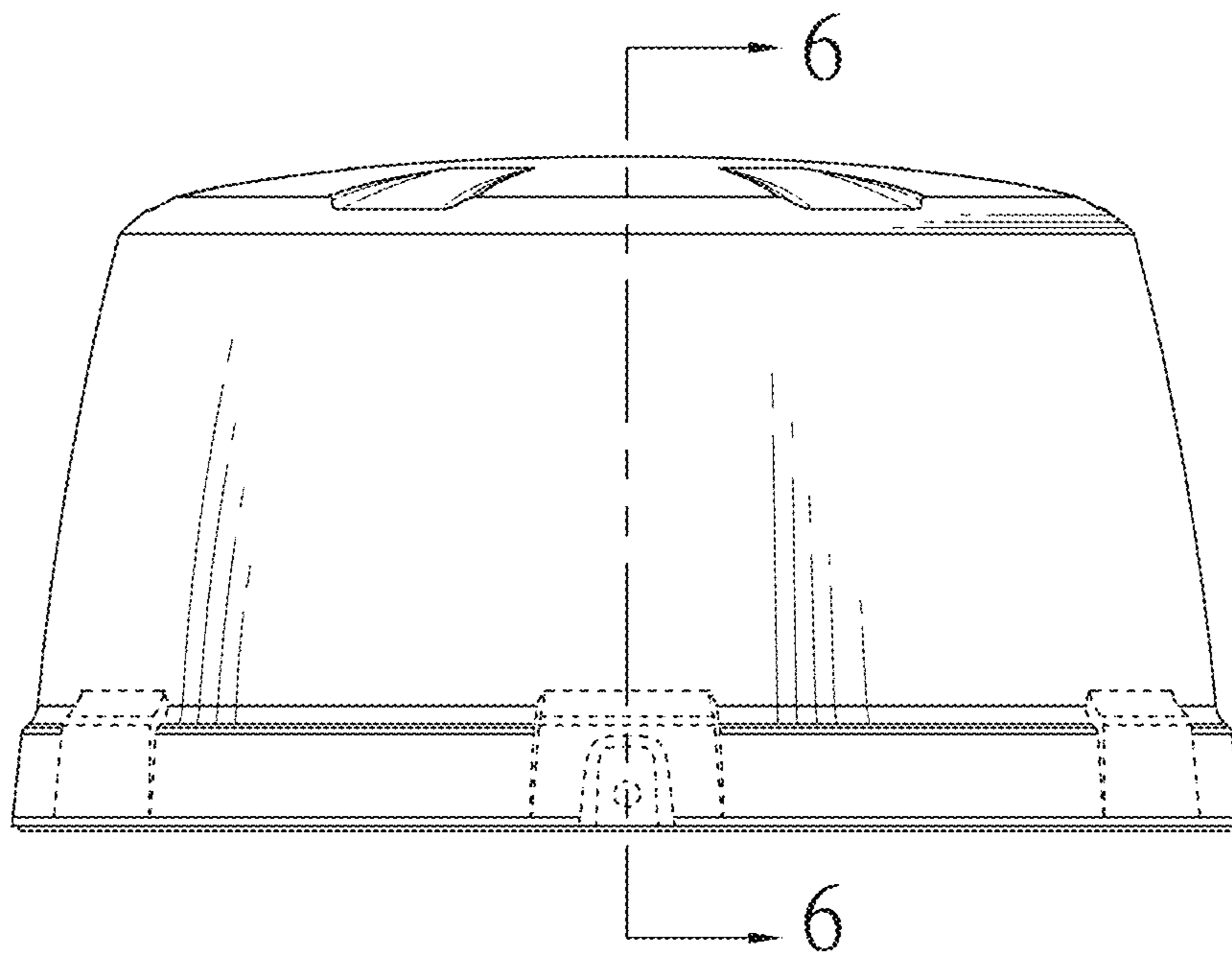


FIG. 2

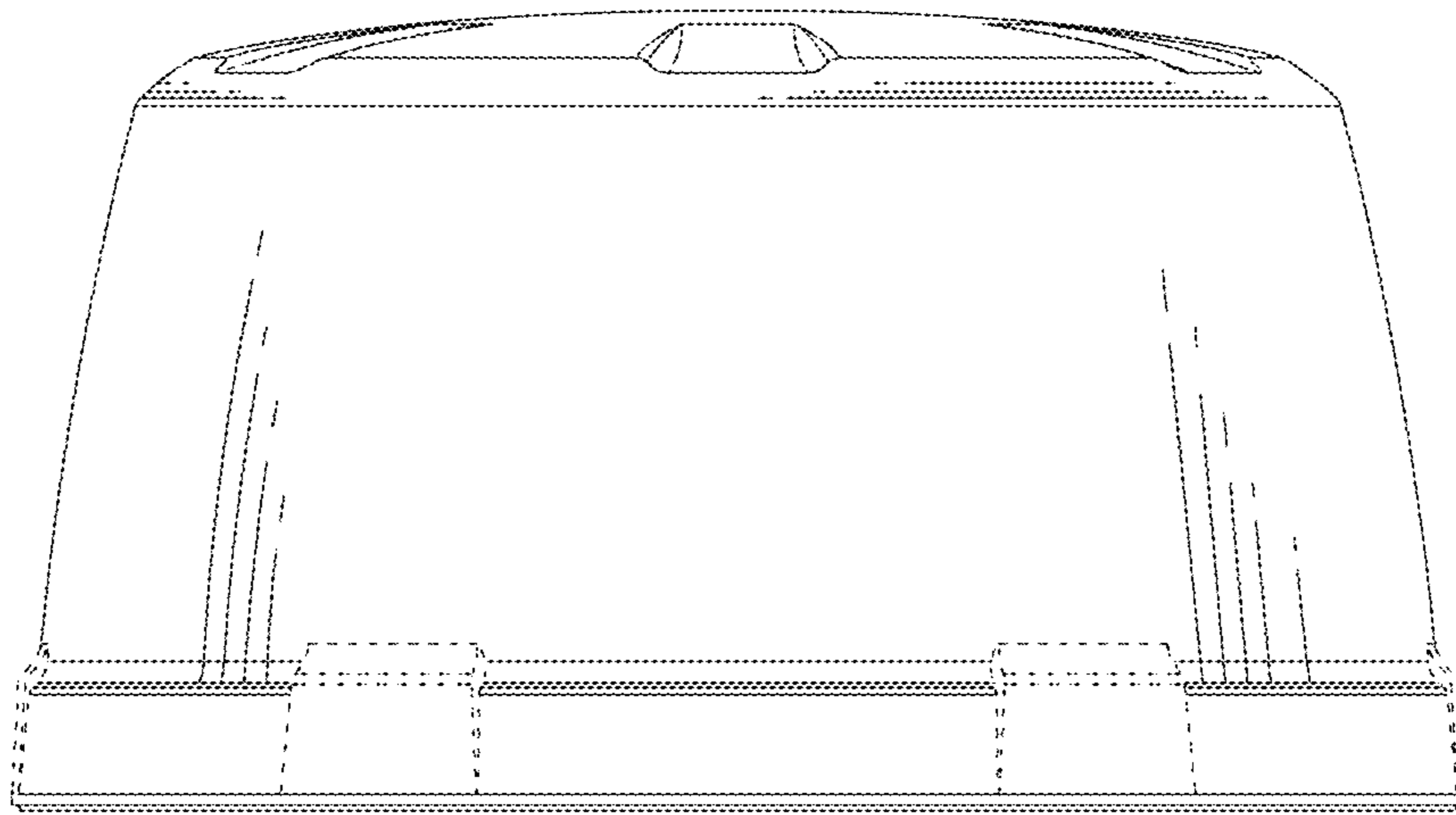


FIG. 3



FIG. 4

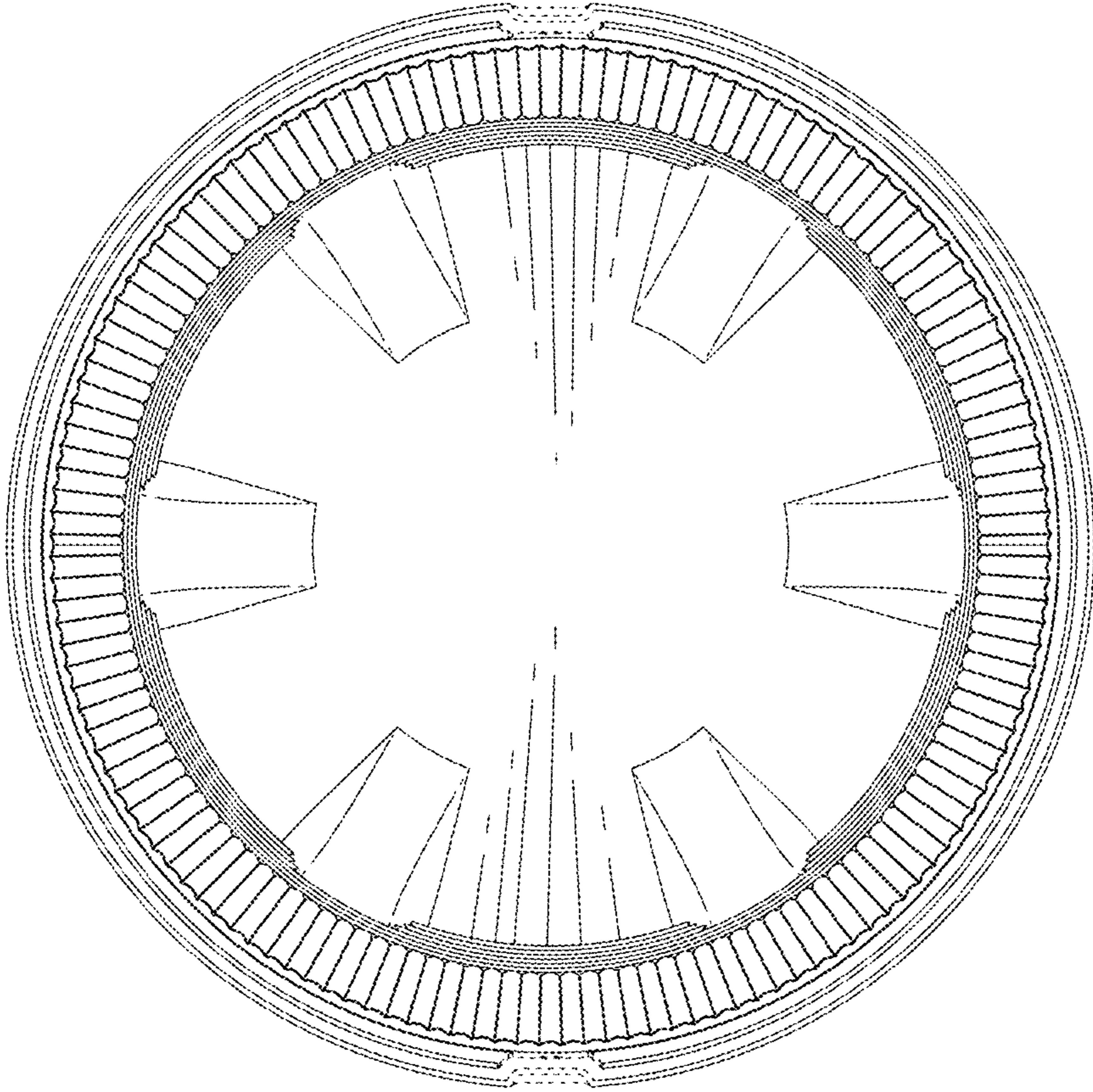


FIG. 5

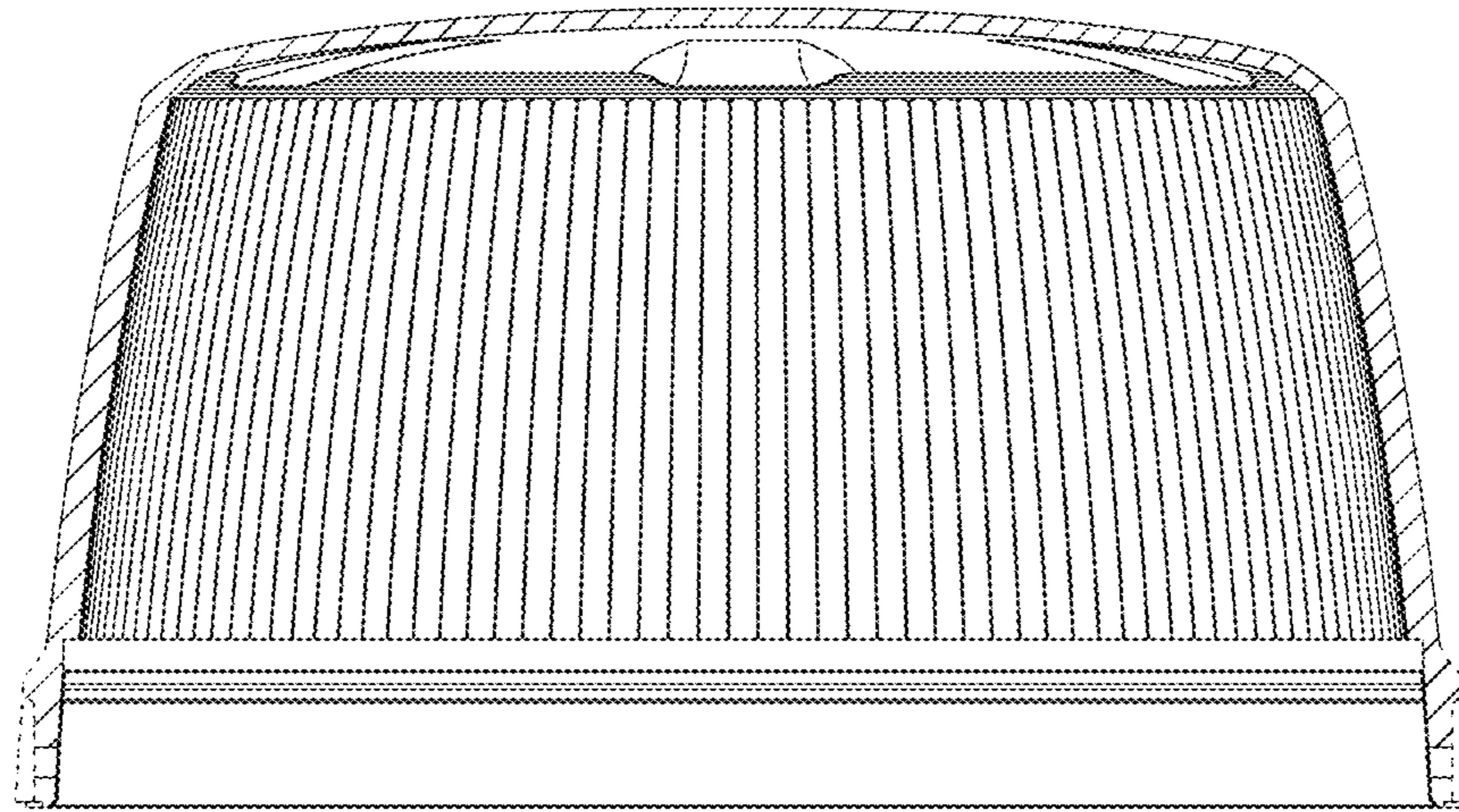


FIG. 6