



US00D879636S

(12) **United States Design Patent**
Fan

(10) **Patent No.:** **US D879,636 S**
(45) **Date of Patent:** **** Mar. 31, 2020**

(54) **LOCATOR**

(71) Applicant: **UBISIGHT TECHNOLOGY LLC**,
Emerson, NJ (US)

(72) Inventor: **Chenglong Fan**, Beijing (CN)

(73) Assignee: **UBISIGHT TECHNOLOGY LLC**,
Emerson, NJ (US)

(**) Term: **15 Years**

(21) Appl. No.: **29/707,105**

(22) Filed: **Sep. 26, 2019**

(51) **LOC (12) Cl.** **10-05**

(52) **U.S. Cl.**
USPC **D10/104.2**

(58) **Field of Classification Search**
USPC D10/104.2, 65, 68, 70
See application file for complete search history.

(56) **References Cited**

U.S. PATENT DOCUMENTS

D693,709 S	*	11/2013	Lee	D10/65
D755,657 S	*	5/2016	Xu	D10/104.1
D782,346 S	*	3/2017	Moses	D10/68
D820,123 S	*	6/2018	Chou	D10/70
D823,703 S	*	7/2018	Pan	D10/65

OTHER PUBLICATIONS

'Smart Tag'Nut 2' Bluetooth Anti-lost Tracker, Key Finder Tracking
Wallet Key Bag Pet Dog Tracer Locator Alarm Patch GPS Locator

for IOS/Android (Green)", Retrieved Sep. 25, 2019]. Retrieved from Internet, <https://www.amazon.co.uk/Smart-Tag-Nut-Bluetooth-Anti-lost/dp/B01MDODWS6/>.

"Cube Shadow Item Finder Ultra Thin Tracker Rechargeable Battery Wallet Remote Control Bluetooth Locator", Retrieved Sep. 25, 2019]. Retrieved from Internet, <https://www.amazon.co.uk/Cube-Tracker-Rechargeable-Battery-Bluetooth/dp/B07KL16YKB/>.

"Tile Mate with Replaceable Battery—1 pack", Retrieved Sep. 25, 2019]. Retrieved from Internet, <https://www.amazon.co.uk/Tile-Mate-Replaceable-Battery-White/dp/B07GLY3HCS/>.

* cited by examiner

Primary Examiner — George D. Kirschbaum

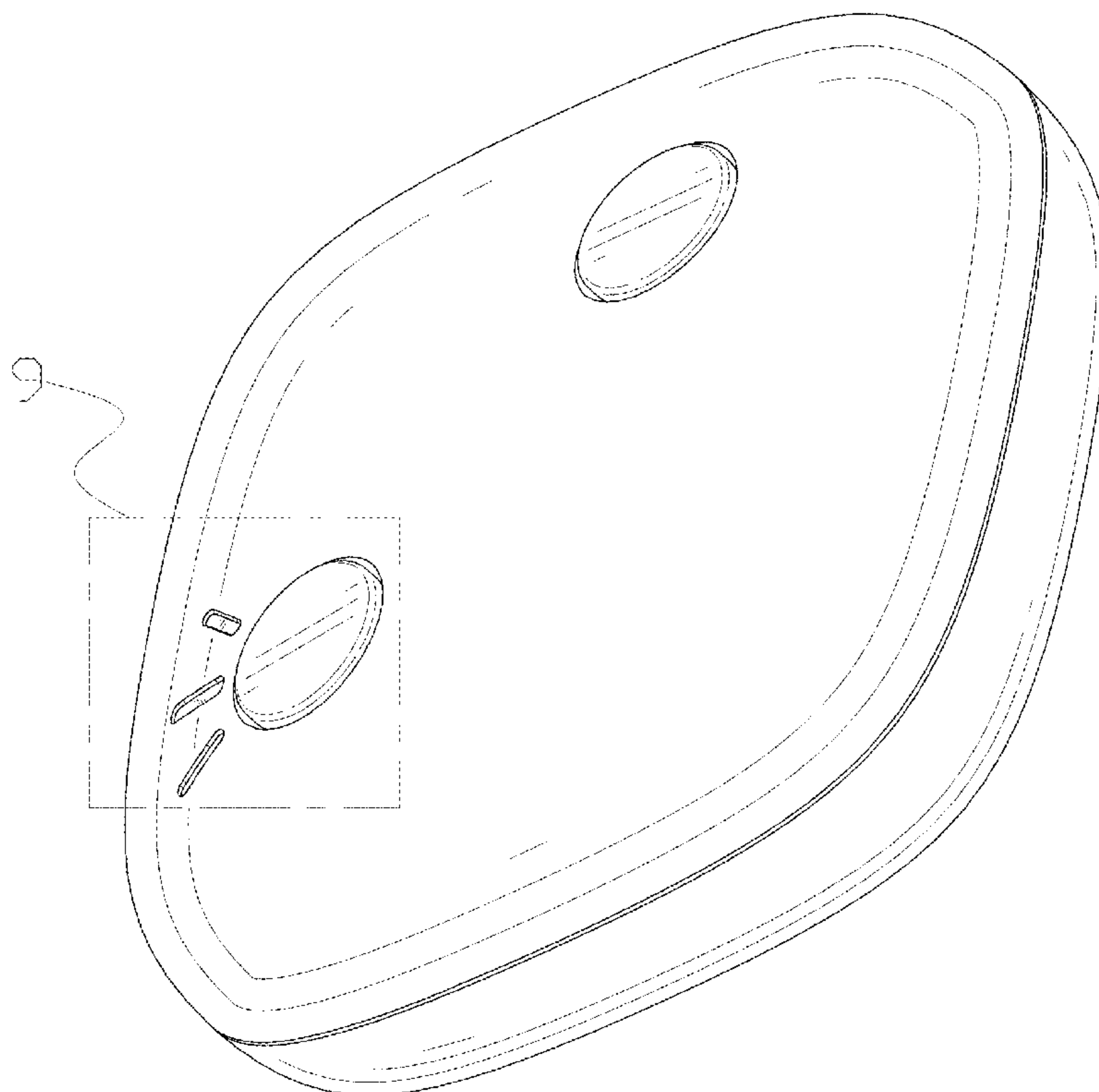
(57) **CLAIM**

The ornamental design for a locator, as shown and described.

DESCRIPTION

FIG. 1 is a perspective view of a first embodiment of a locator showing my new design;
FIG. 2 is another perspective view thereof;
FIG. 3 is a front elevational view thereof;
FIG. 4 is a rear elevational view thereof;
FIG. 5 is a left side elevational view thereof;
FIG. 6 is a right side elevational view thereof;
FIG. 7 is a top plan view thereof;
FIG. 8 is a bottom plan view thereof;
FIG. 9 is an enlarged view of portion 9 shown in FIG. 1; and,
FIG. 10 is an enlarged view of portion 10 shown in FIG. 2.
The broken lines in the drawings depict portions of the locator that form no part of the claimed design.

1 Claim, 10 Drawing Sheets



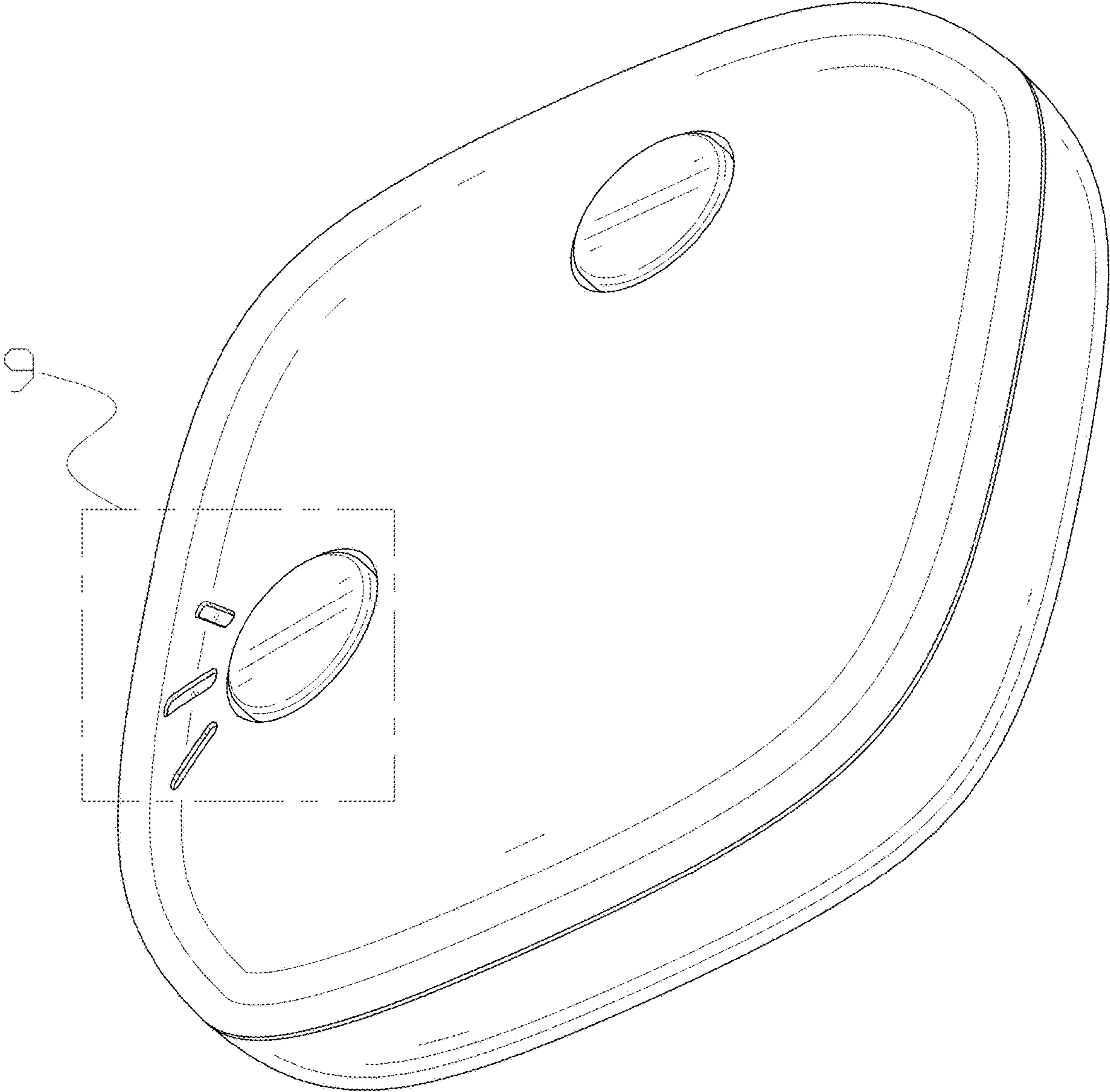


FIG. 1

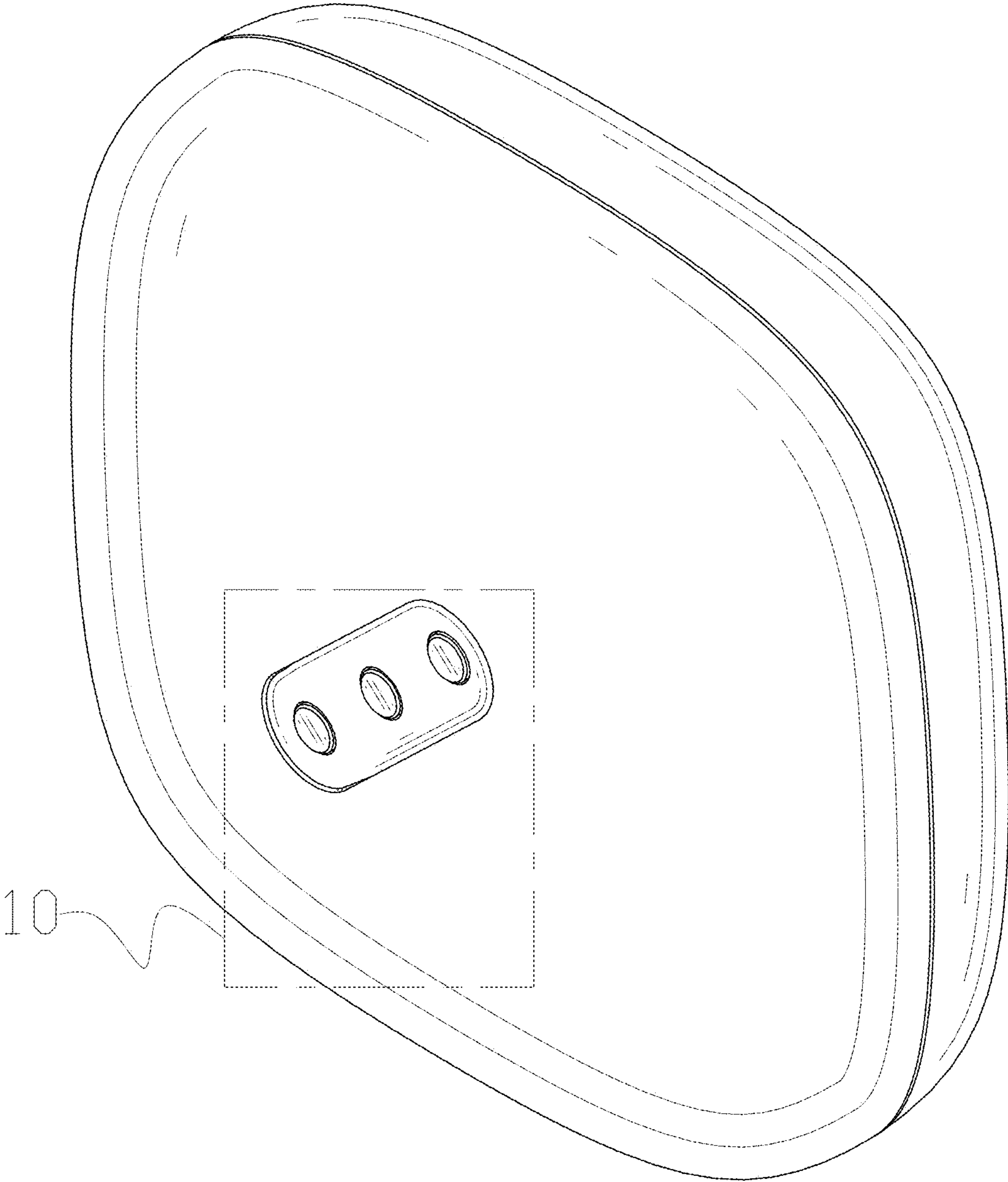


FIG. 2

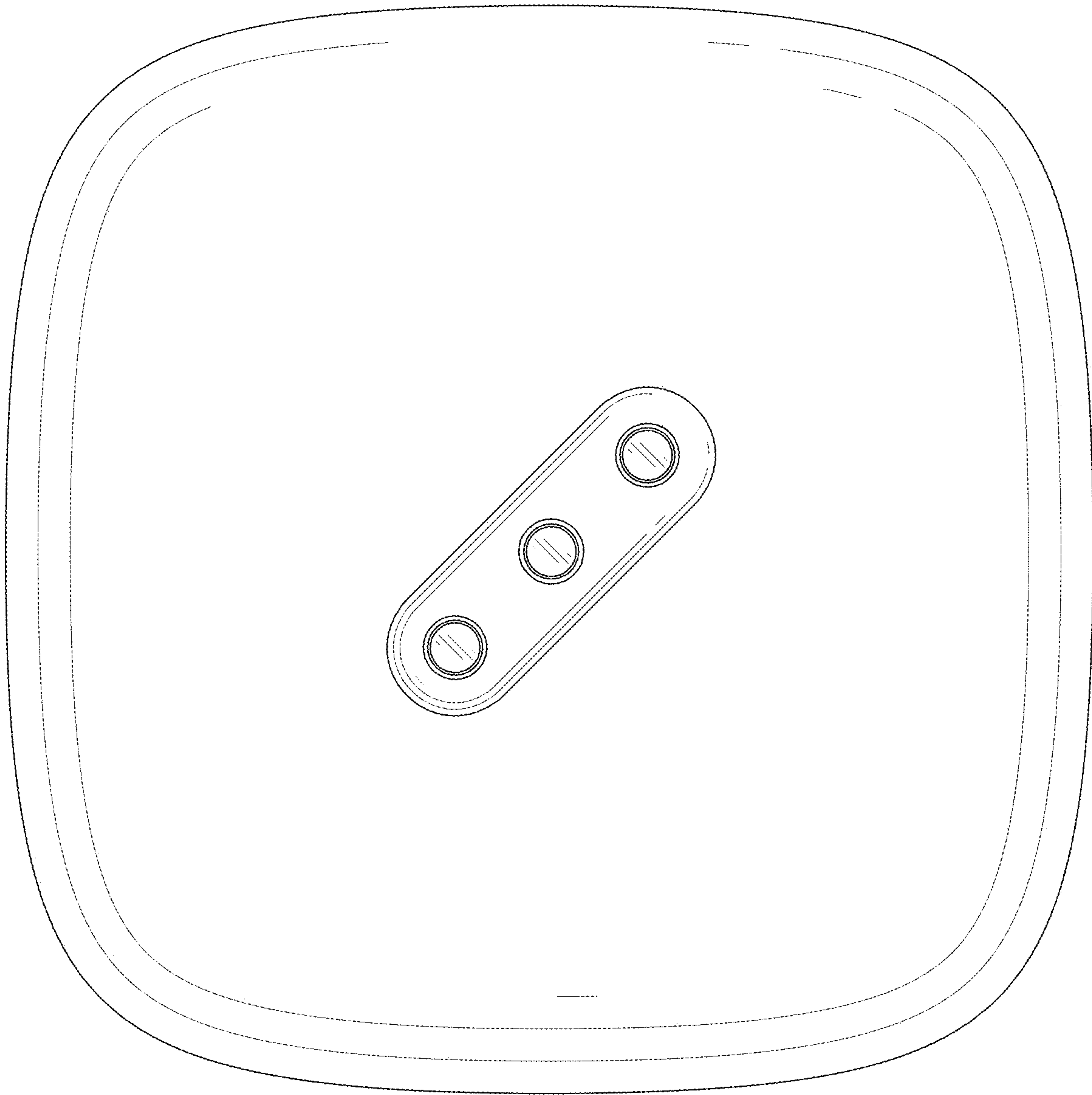


FIG. 3

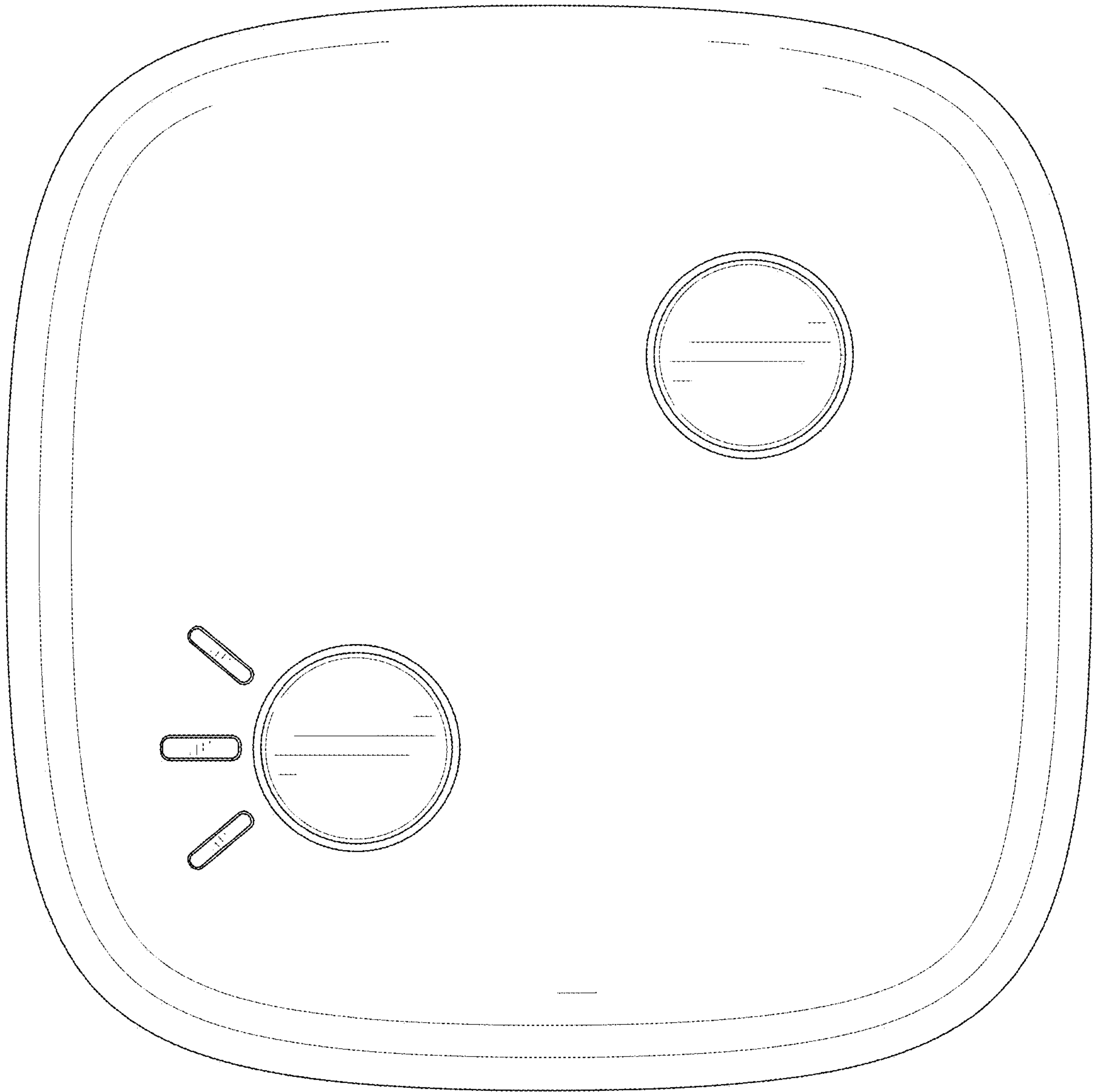


FIG. 4

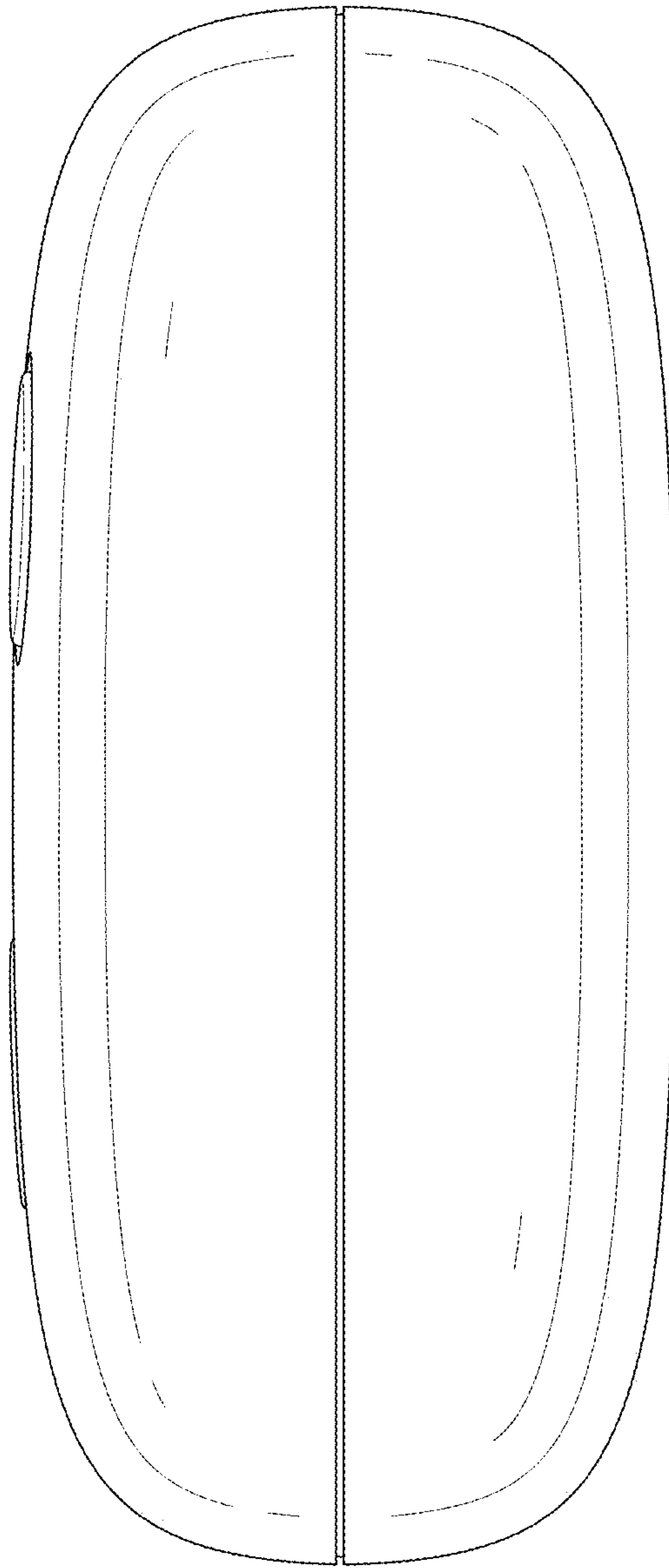


FIG. 5

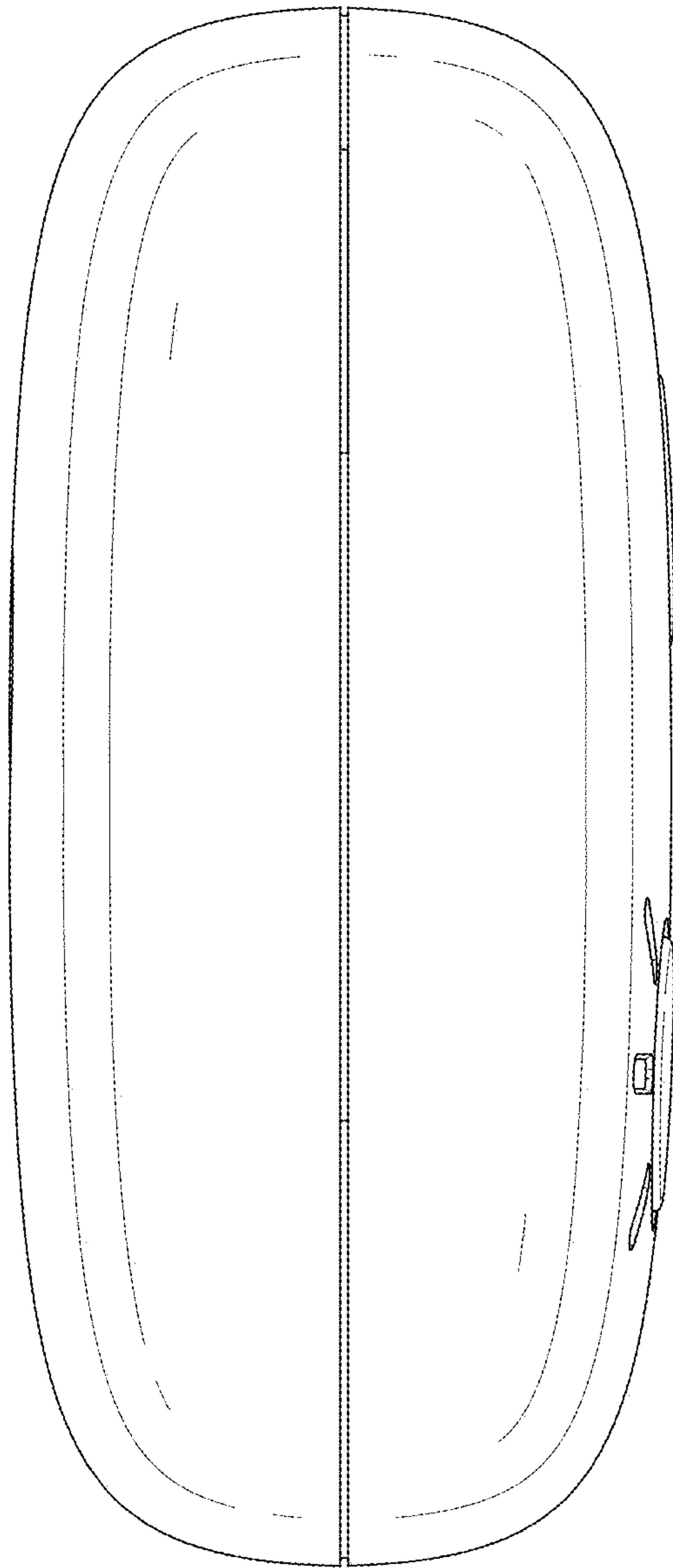


FIG. 6

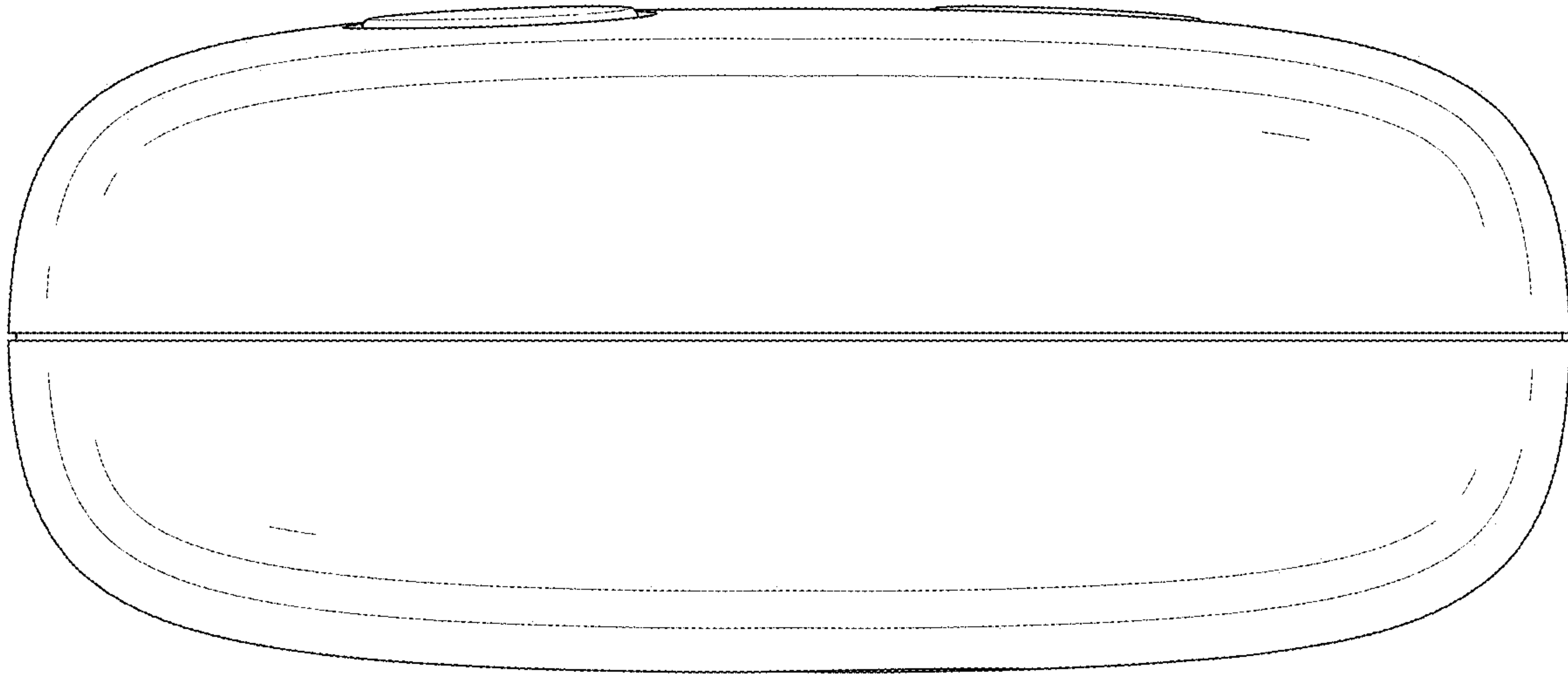


FIG. 7

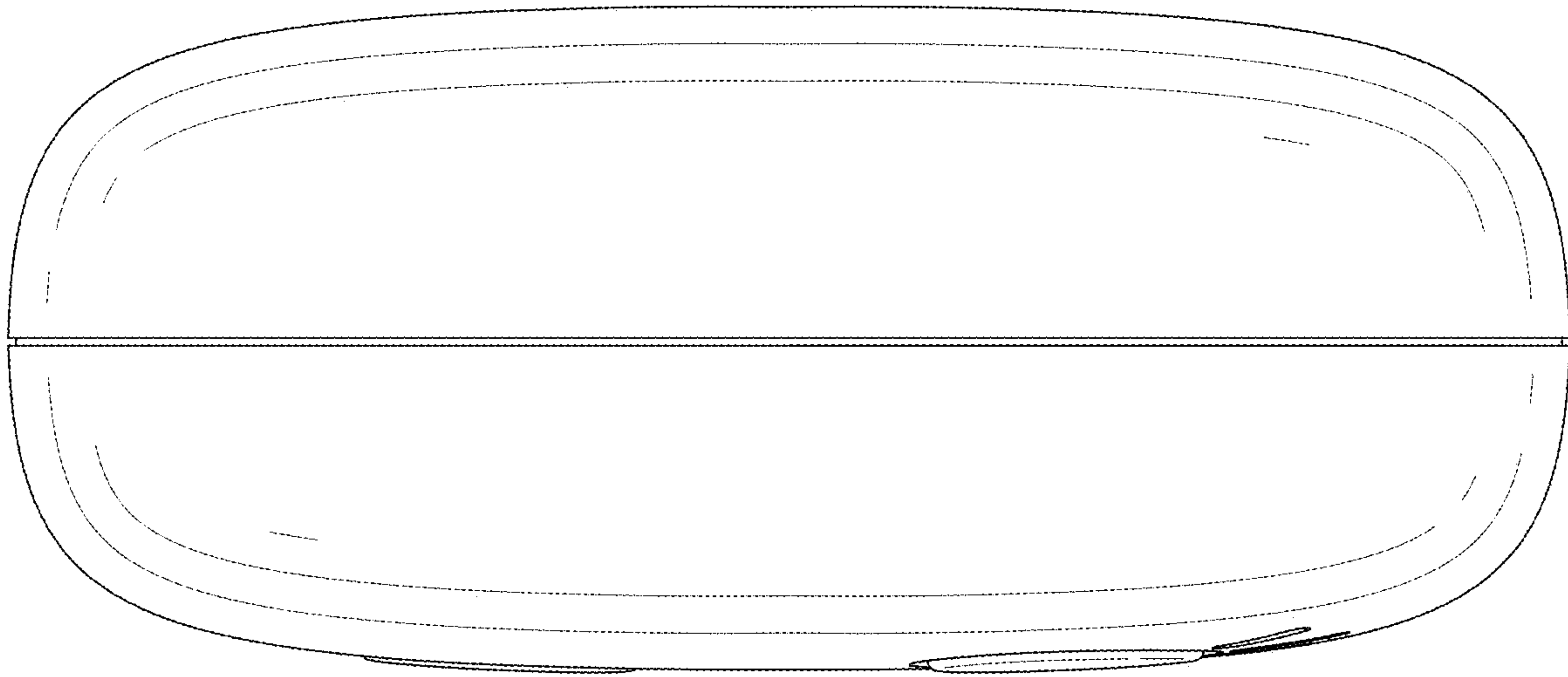


FIG. 8

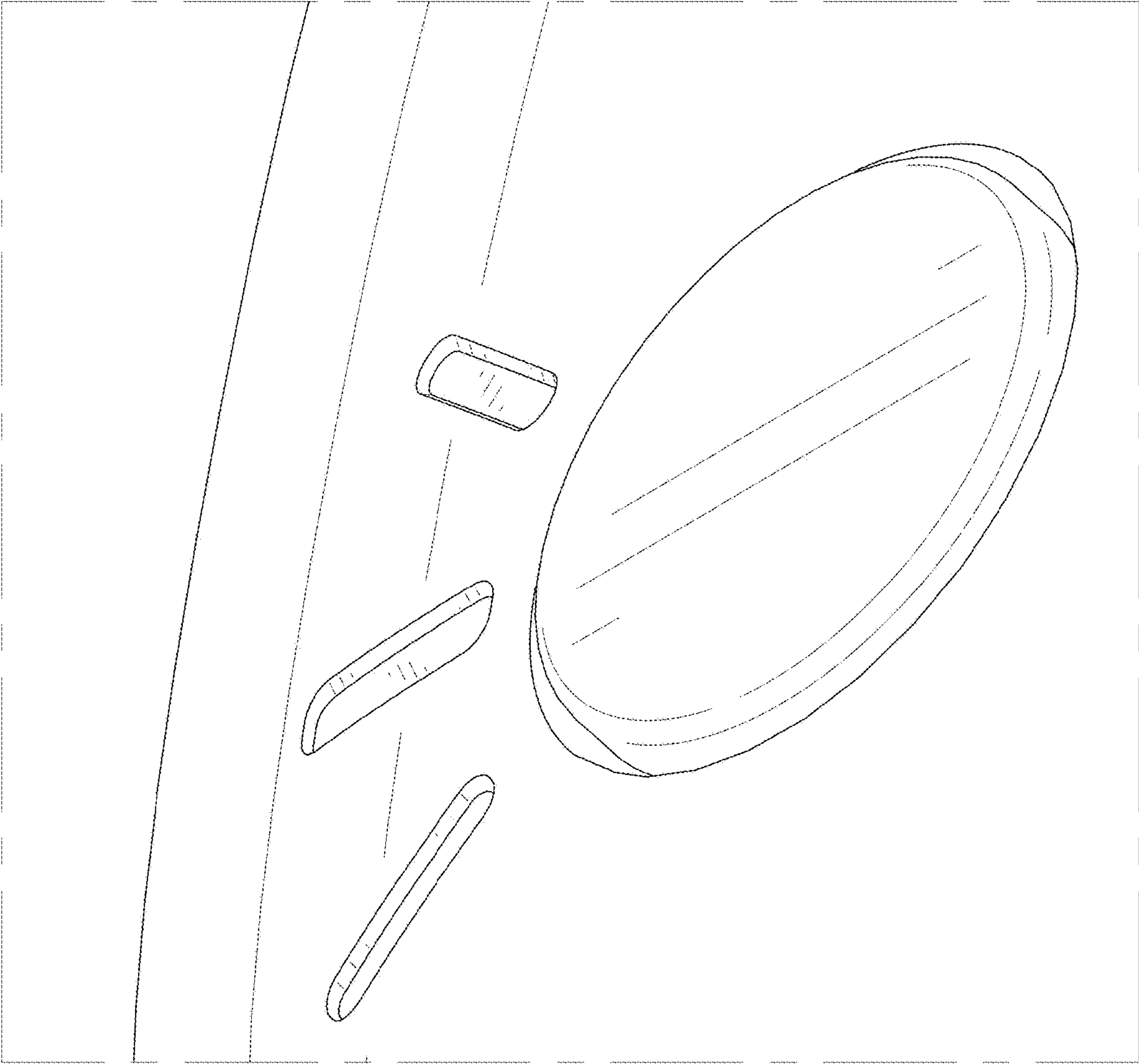


FIG. 9

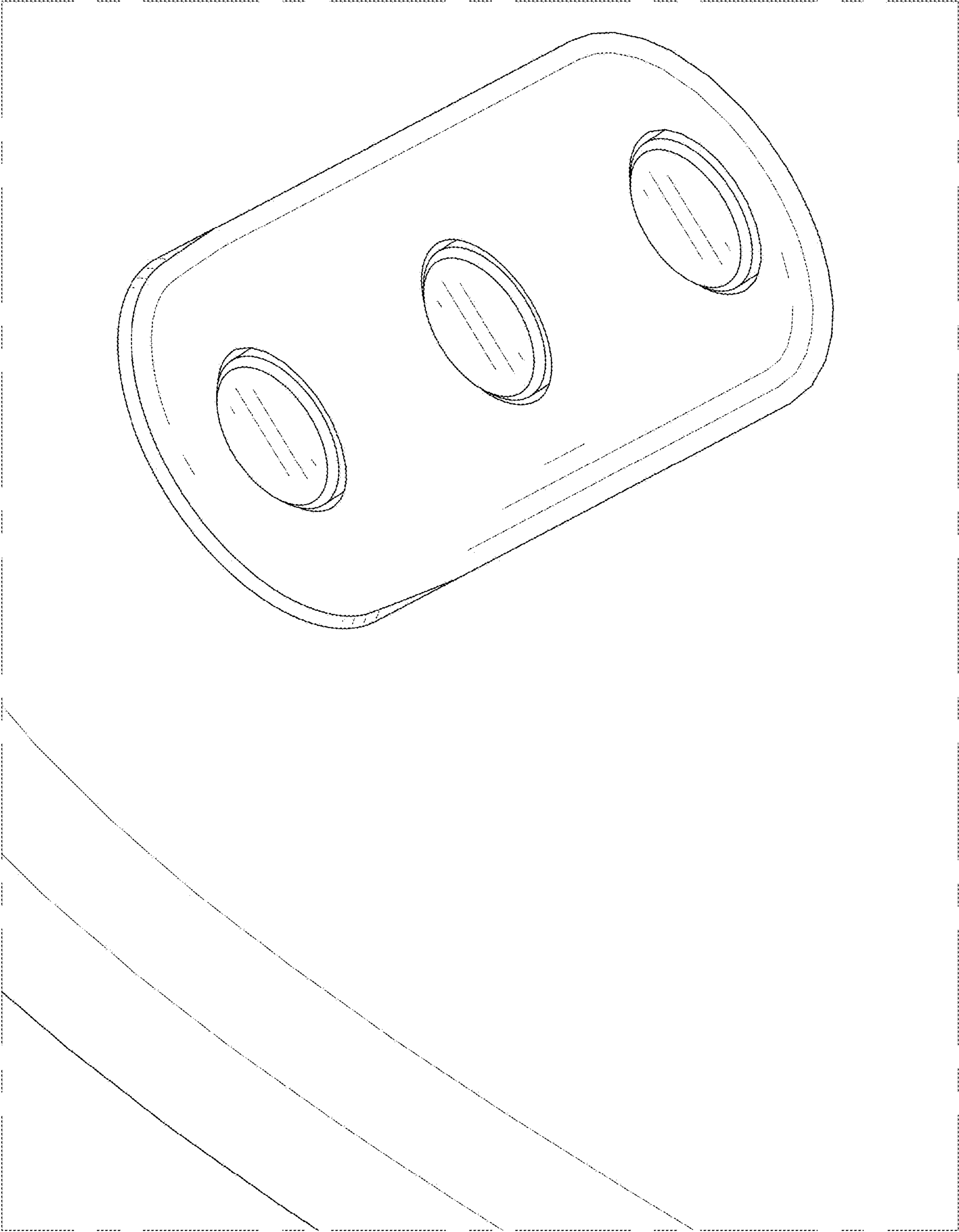


FIG. 10