



US00D879635S

(12) **United States Design Patent** (10) **Patent No.:** **US D879,635 S**  
**Højmosé** (45) **Date of Patent:** **\*\* Mar. 31, 2020**

(54) **ALARM**

(71) Applicant: **Cavius ApS**, Silkeborg (DK)

(72) Inventor: **Glenn Højmosé**, Silkeborg (DK)

(73) Assignee: **CAVIUS APS**, Silkeborg (DK)

(\*\*) Term: **15 Years**

(21) Appl. No.: **29/640,947**

(22) Filed: **Mar. 19, 2018**

(30) **Foreign Application Priority Data**

Sep. 18, 2017 (EP) ..... 004360394-0002

(51) **LOC (12) Cl.** ..... **10-05**

(52) **U.S. Cl.**  
USPC ..... **D10/104.1**

(58) **Field of Classification Search**

USPC ..... D10/49, 50, 51, 52, 104.1, 104.2, 105,  
D10/106.1, 106.2, 106.3, 106.4, 106.5,  
D10/106.6, 106.7, 106.8, 106.9, 107, 108,  
D10/109.1, 109.2, 110, 111, 112, 113.1,  
D10/113.2, 113.3, 113.4, 114.2, 114.3,  
D10/114.4, 114.5, 114.8, 114.9, 116.1,  
D10/120, 121, 122, 123, 124, 126, 46.1;  
D21/405, 722, 812, 396, 385; D23/213,  
D23/250; D28/82; D19/95, 96, 100;  
340/539.12, 392.1, 384.7, 326, 539.14,  
340/693, 628, 629, 630, 631; 473/505,  
473/510, 514  
CPC ..... H01H 13/00; H01H 13/023; H01H 13/14;  
H01H 13/56; H01H 2003/0233; G08B  
17/00; E05B 45/06; F26B 25/009; H04M  
11/04

See application file for complete search history.

(56) **References Cited**

U.S. PATENT DOCUMENTS

D235,629	S	*	7/1975	Steele et al. ....	D10/106.5
D277,836	S	*	3/1985	Hattori .....	D10/106.5
D279,872	S	*	7/1985	Thornton, Jr. ....	D10/106.5
4,823,118	A	*	4/1989	Suzuki .....	G08B 25/003 200/11 R
D308,835	S	*	6/1990	Fenne .....	D10/106.1
D481,823	S	*	11/2003	McClow .....	D26/113
D485,200	S	*	1/2004	Berthold .....	D10/106.5
D497,118	S	*	10/2004	Steffee .....	D10/116.1
D601,053	S	*	9/2009	Ferrie .....	D10/114.8
D702,145	S	*	4/2014	Alexander .....	D10/106.5
D757,585	S	*	5/2016	Højmosé .....	D10/106.1
D758,230	S	*	6/2016	Højmosé .....	D10/106.5

OTHER PUBLICATIONS

Available Jan. 25, 2019, [online], [site visited Jan. 25, 2019].  
Available from Internet, <URL:http://www.cavius.com/products>  
(Year : 2019).\*

\* cited by examiner

*Primary Examiner* — Michael C Stout  
*Assistant Examiner* — Katrina N Gonzalez  
(74) *Attorney, Agent, or Firm* — Berg Hill Greenleaf  
Ruscitti LLP.

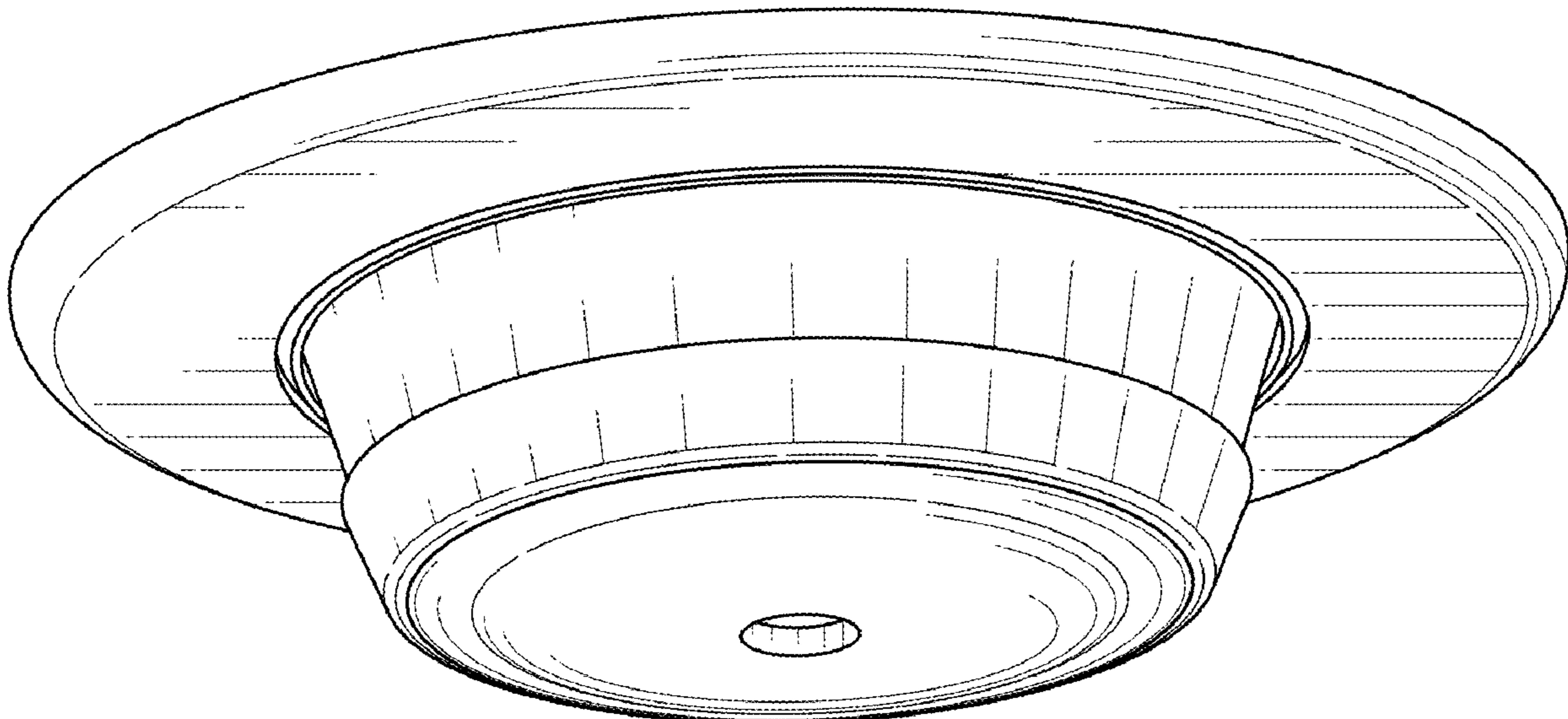
(57) **CLAIM**

The ornamental design for an alarm, as shown and described.

**DESCRIPTION**

FIG. 1 is a perspective view of the alarm;  
FIG. 2 is top plan view of the alarm; and,  
FIG. 3 is a front elevation view of the alarm, a rear, left and  
right side elevation views being identical.  
The broken lines illustrate portions of the alarm that form no  
part of the claimed design.

**1 Claim, 3 Drawing Sheets**



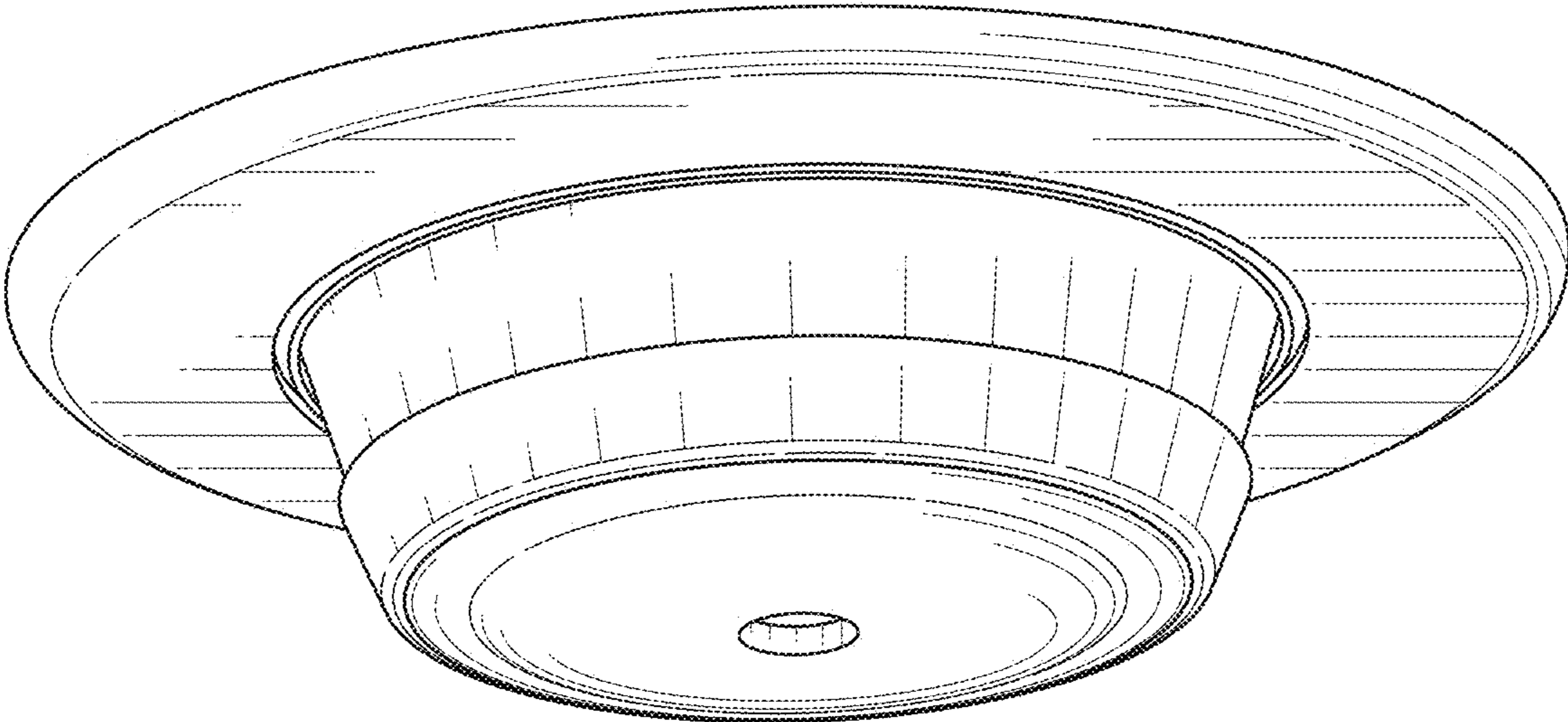


FIG. 1

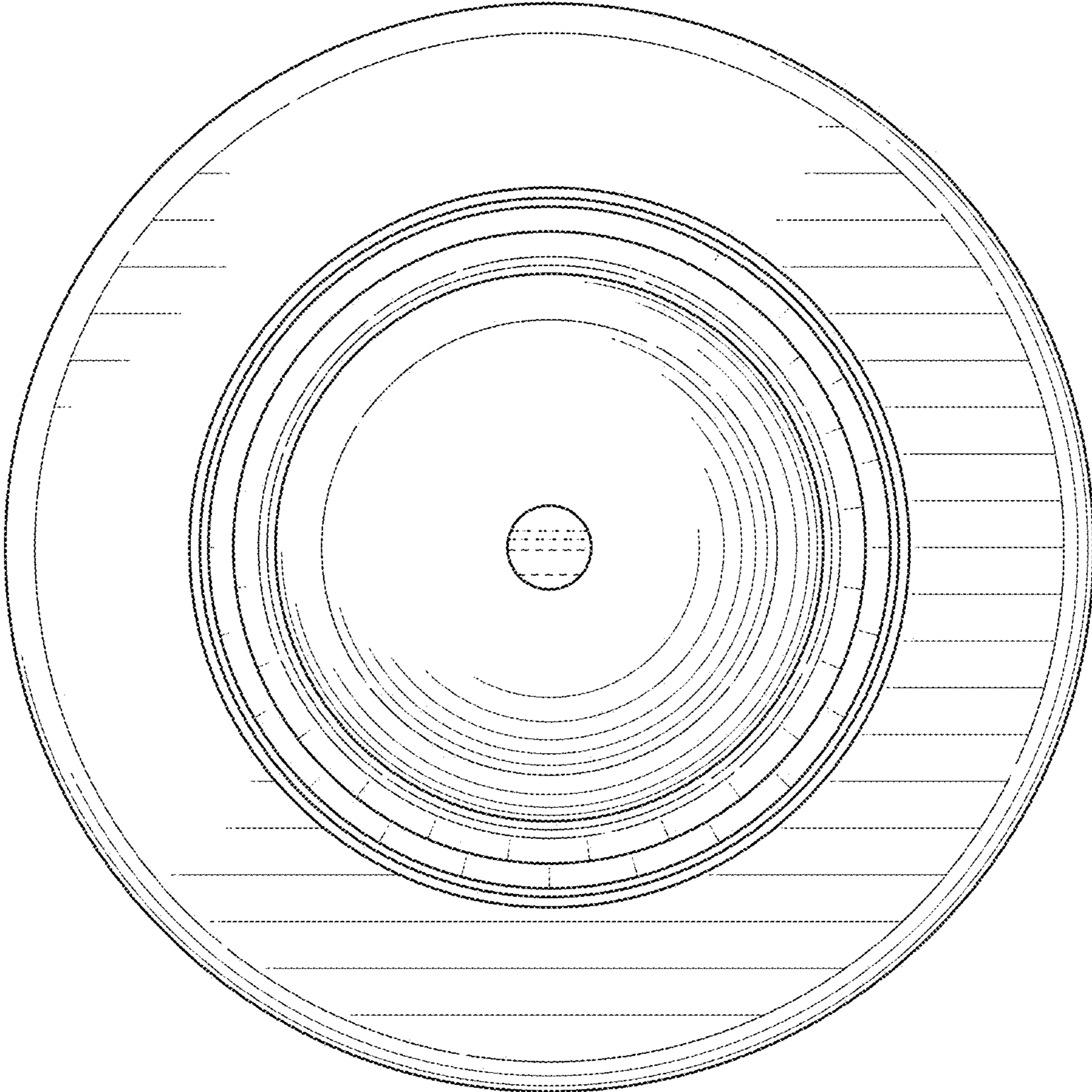


FIG. 2

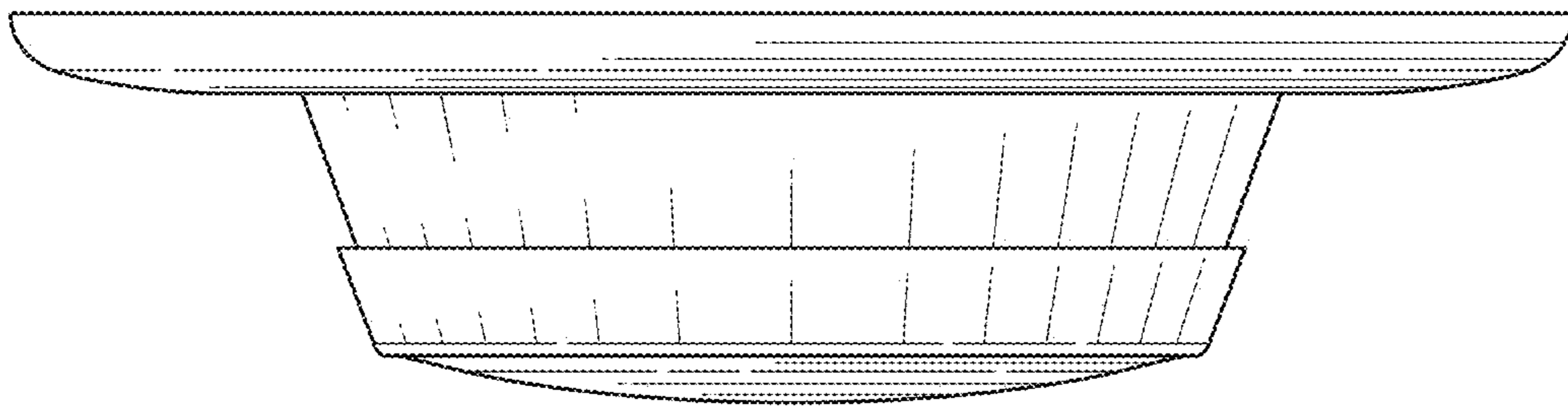


FIG. 3