



US00D879634S

(12) **United States Design Patent**
Karbing

(10) **Patent No.:** **US D879,634 S**
(45) **Date of Patent:** **** Mar. 31, 2020**

(54) **MILKING POINT DISPLAY AND CONTROL UNIT**

(71) Applicant: **DeLaval Holding AB**, Tumba (SE)

(72) Inventor: **Emil Karbing**, Tumba (SE)

(73) Assignee: **DeLaval Holding AB**, Tumba (SE)

(**) Term: **15 Years**

(21) Appl. No.: **29/669,476**

(22) Filed: **Nov. 8, 2018**

(51) **LOC (12) Cl.** **10-04**

(52) **U.S. Cl.**
USPC **D10/96**; D13/162

(58) **Field of Classification Search**
USPC 13/158, 162, 164, 171; D10/40, 46, 49,
D10/75, 96, 103; D30/199
CPC .. A01J 5/007; A01J 5/01; A01J 5/0138; G01F
1/64
See application file for complete search history.

(56) **References Cited**

U.S. PATENT DOCUMENTS

D275,082	S	*	8/1984	Goodin	D10/15
D283,403	S	*	4/1986	Chan	D10/15
D284,358	S	*	6/1986	Chan	D10/40
D285,420	S	*	9/1986	Gremonprez	D10/40
4,922,855	A	*	5/1990	Tomizawa	A01J 5/007 119/14.08
D321,489	S	*	11/1991	Heimbürger	D10/40
D421,926	S	*	3/2000	Bilgery	D10/96
D478,290	S	*	8/2003	Hourse	D10/40
D597,867	S	*	8/2009	Bernard	D10/103
D624,835	S	*	10/2010	Levine	D10/40
D631,765	S	*	2/2011	Qian	D10/40
D662,844	S	*	7/2012	Guerrero	D10/96
D662,845	S	*	7/2012	Guerrero	D10/96
9,339,003	B2	*	5/2016	Bahlenberg	G05B 15/02
D770,101	S	*	10/2016	Petroni	D30/199
D780,603	S	*	3/2017	Chism	D10/40
D843,330	S	*	3/2019	Oe	D13/158

D870,636	S	*	12/2019	Boykin	D12/317
2003/0130808	A1	*	7/2003	Kapitulskiy	A01J 5/01 702/45
2007/0289536	A1	*	12/2007	Dunn	A01J 5/01 119/14.14
2008/0066685	A1	*	3/2008	Rysewyk	A01J 5/0138 119/14.14
2011/0283810	A1	*	11/2011	Hoefelmayer	G01F 11/284 73/861.53

(Continued)

OTHER PUBLICATIONS

SmartControl; prior to Nov. 8, 2018; 1 pg.; https://www.google.com/search?hl=en&biw=2048&bih=717&tbm=isch&sxsrf=ACYBGNSme5RXLq32bmSDFjWTVUuxcH8Acg%3A1578434402689&sa=1&ei=Yv8UXr3dKe2H_Qbr4aqYDA&q=+milking+controller+before%3A2018-11-08&oq=+milking+controller+before%3A2018-11-08&gs_l=img.12...26549.26549..28959.*

(Continued)

Primary Examiner — Selina Sikder
(74) *Attorney, Agent, or Firm* — Young & Thompson

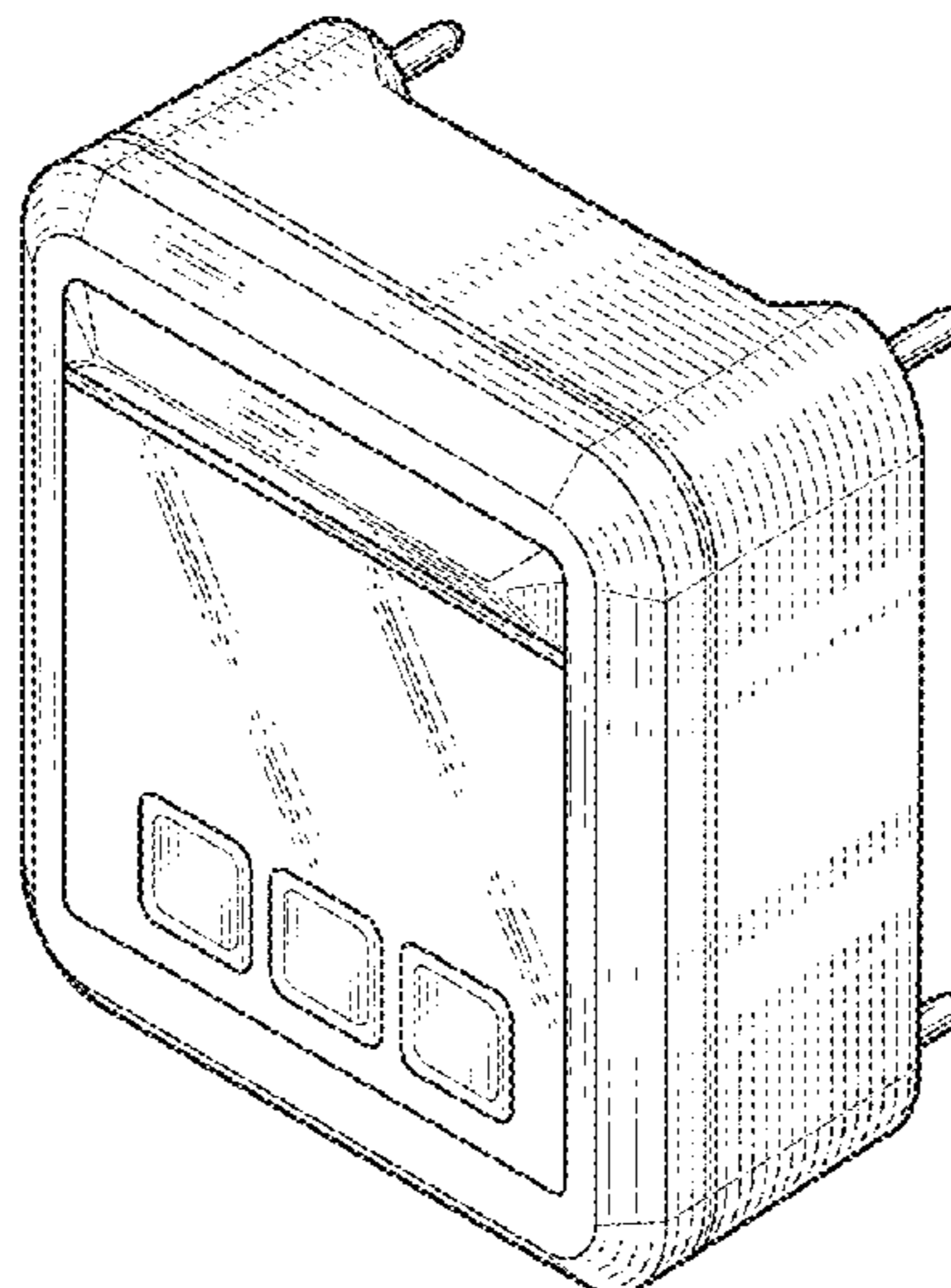
(57) **CLAIM**

The ornamental design for a milking point display and control unit, as shown and described.

DESCRIPTION

FIG. 1 is a front, left side, and top perspective view of a milking point display and control unit showing the new design;
FIG. 2 is a left side elevation view thereof;
FIG. 3 is a front elevation view thereof;
FIG. 4 is a right side elevation view thereof;
FIG. 5 is a bottom plan view thereof;
FIG. 6 is a rear elevation view thereof; and,
FIG. 7 is a top plan view thereof.
The broken lines shown in the drawings illustrate portions of the milking point display and control unit that from no part of the claimed design.

1 Claim, 3 Drawing Sheets



(56)

References Cited

U.S. PATENT DOCUMENTS

2015/0068322 A1* 3/2015 Kinlen G01F 1/64
73/861.08
2019/0045737 A1* 2/2019 Seehafer A01J 5/007

OTHER PUBLICATIONS

DelLval Milking points; prior to Nov. 8, 2018; 1 pg.; https://www.google.com/search?hl=en&biw=2048&bih=717&tbm=isch&sxsrf=ACYBGNSme5RXLq32bmSDFjWTVUuxcH8Acg%3A1578434402689&sa=1&ei=Yv8UXr3dKe2H_Qbr4aqYDA&q=+milking+controller+before%3A2018-11-08&oq=+milking+controller+before%3A2018-11-08&gs_l=img.12...26549.26549.*

* cited by examiner

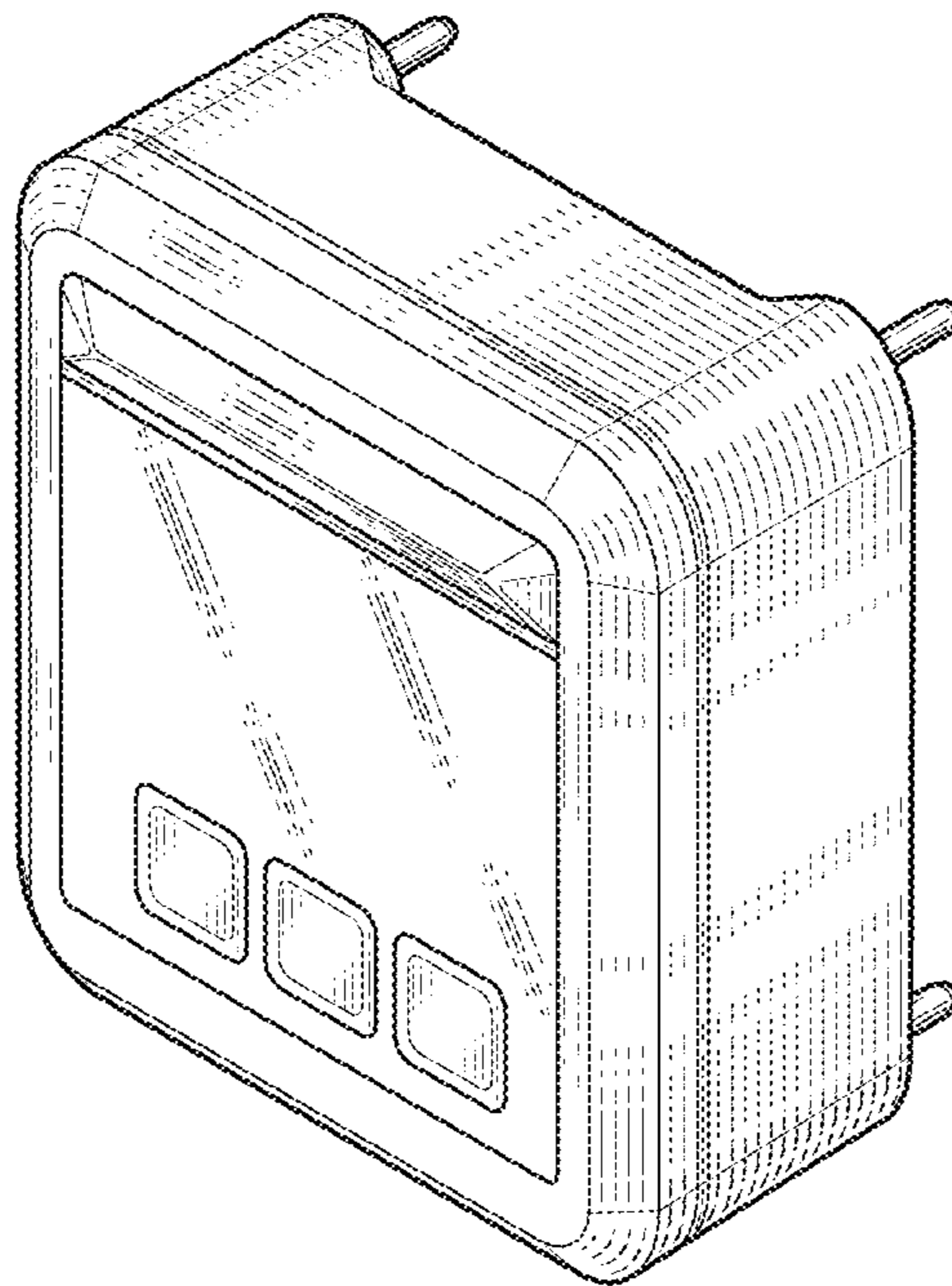


Fig. 1

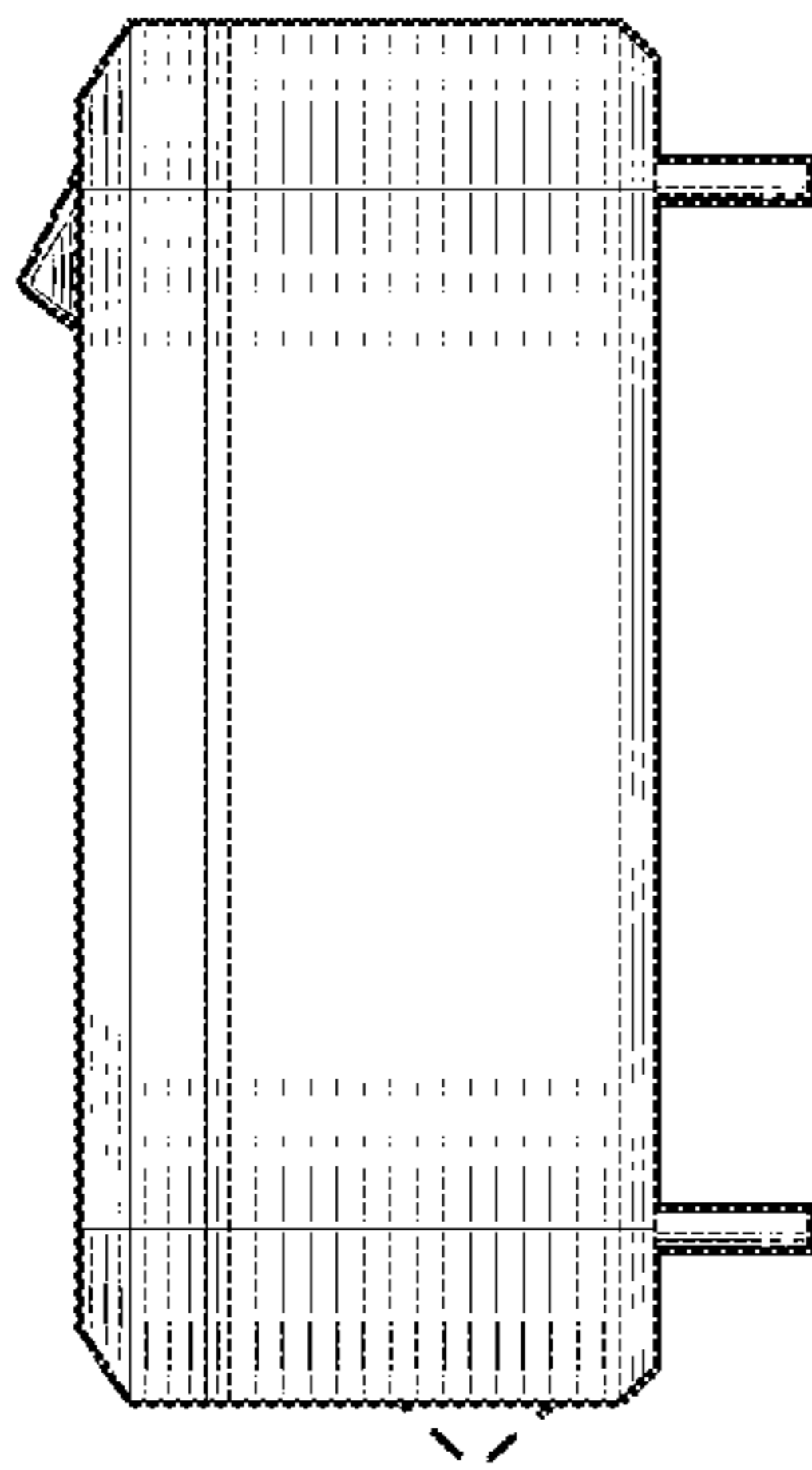


Fig. 2

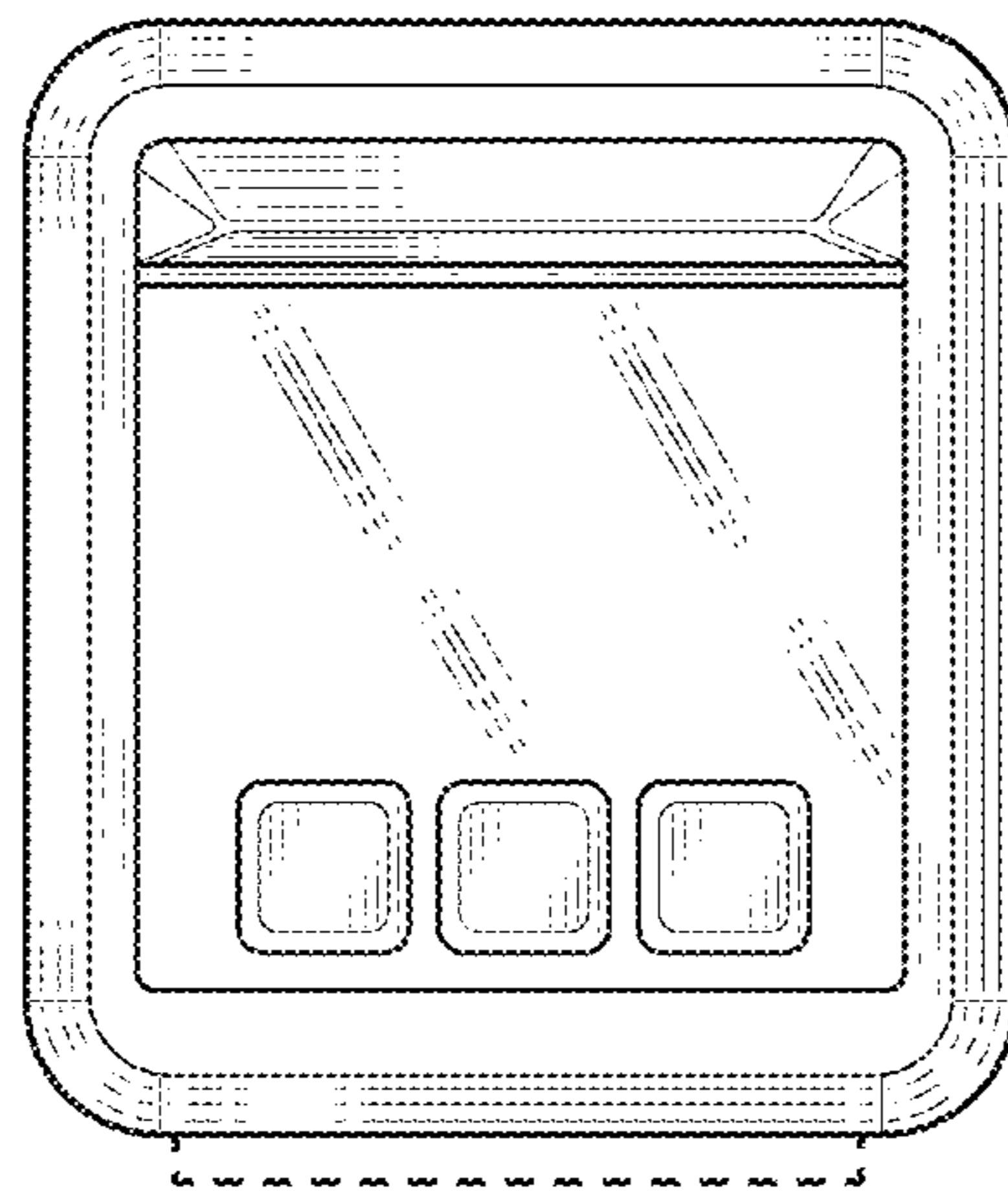


Fig. 3

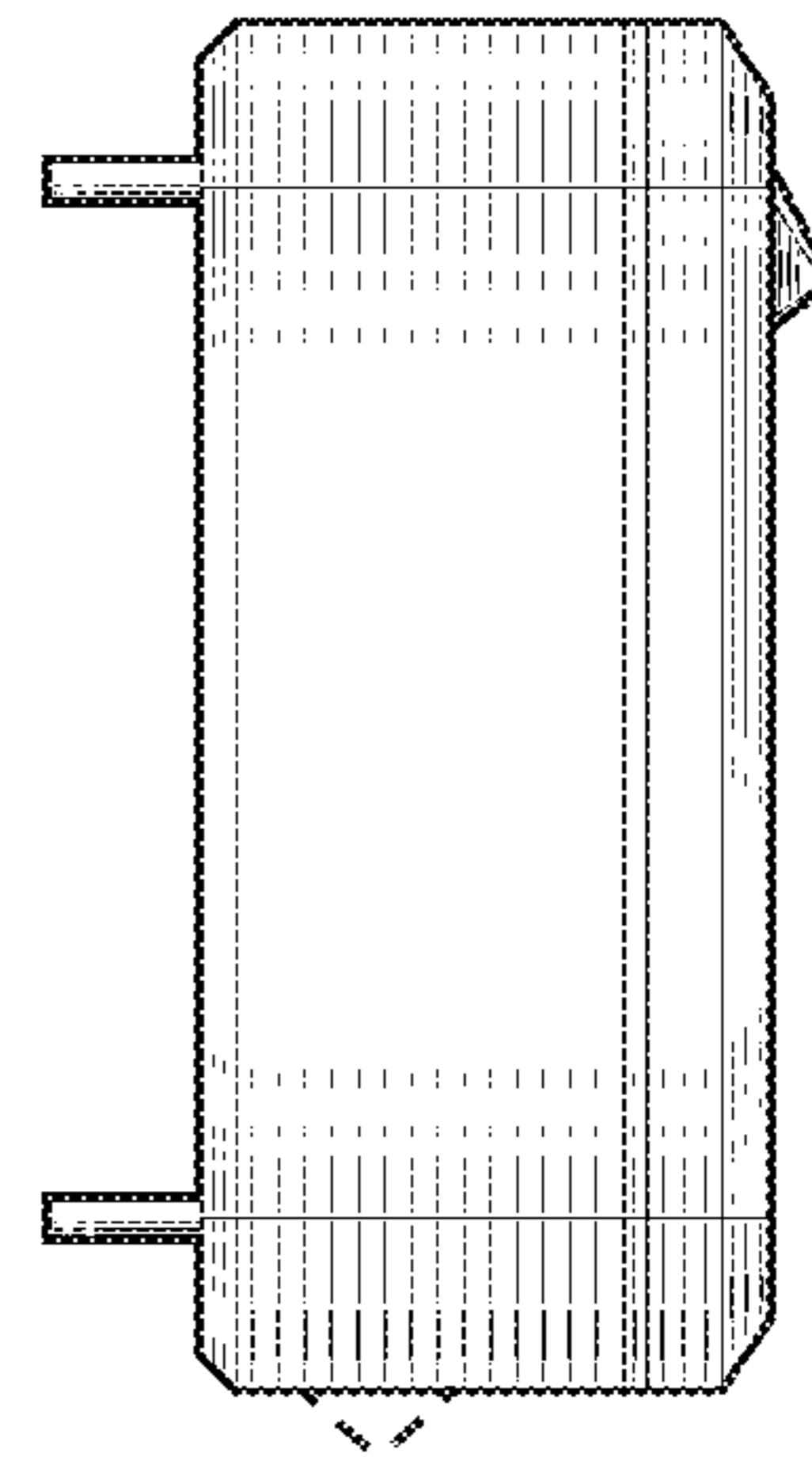


Fig. 4

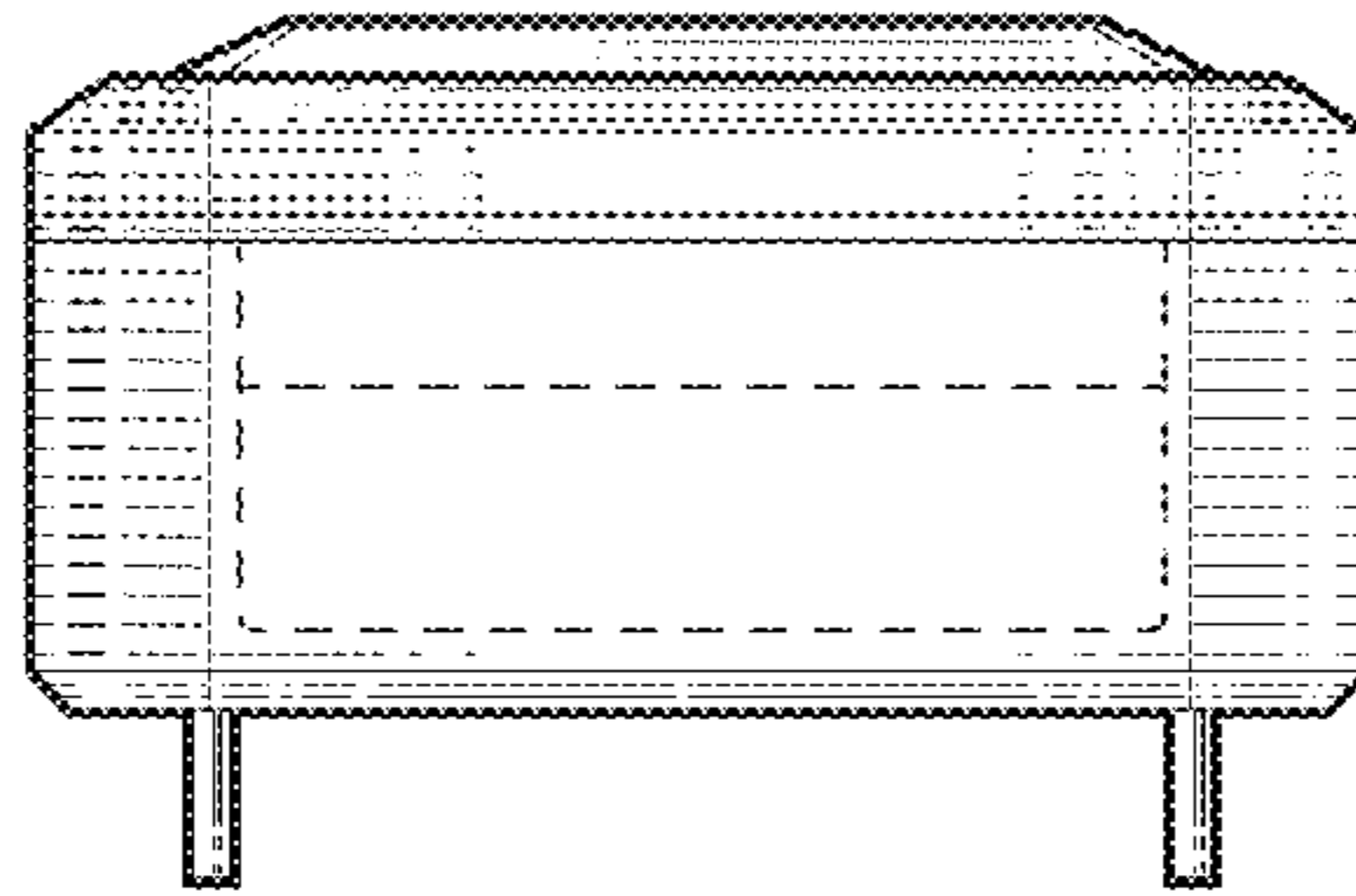


Fig. 5

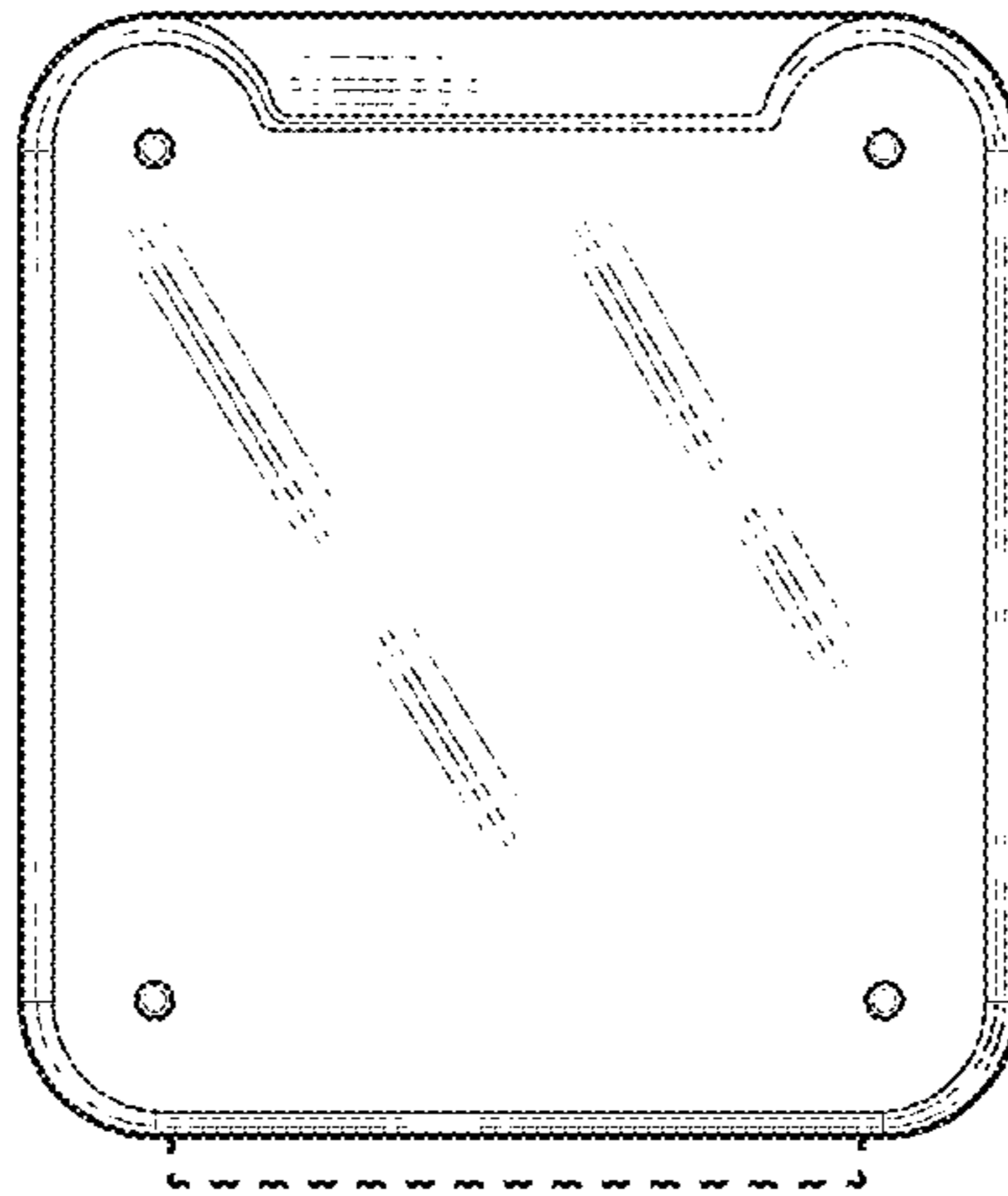


Fig. 6

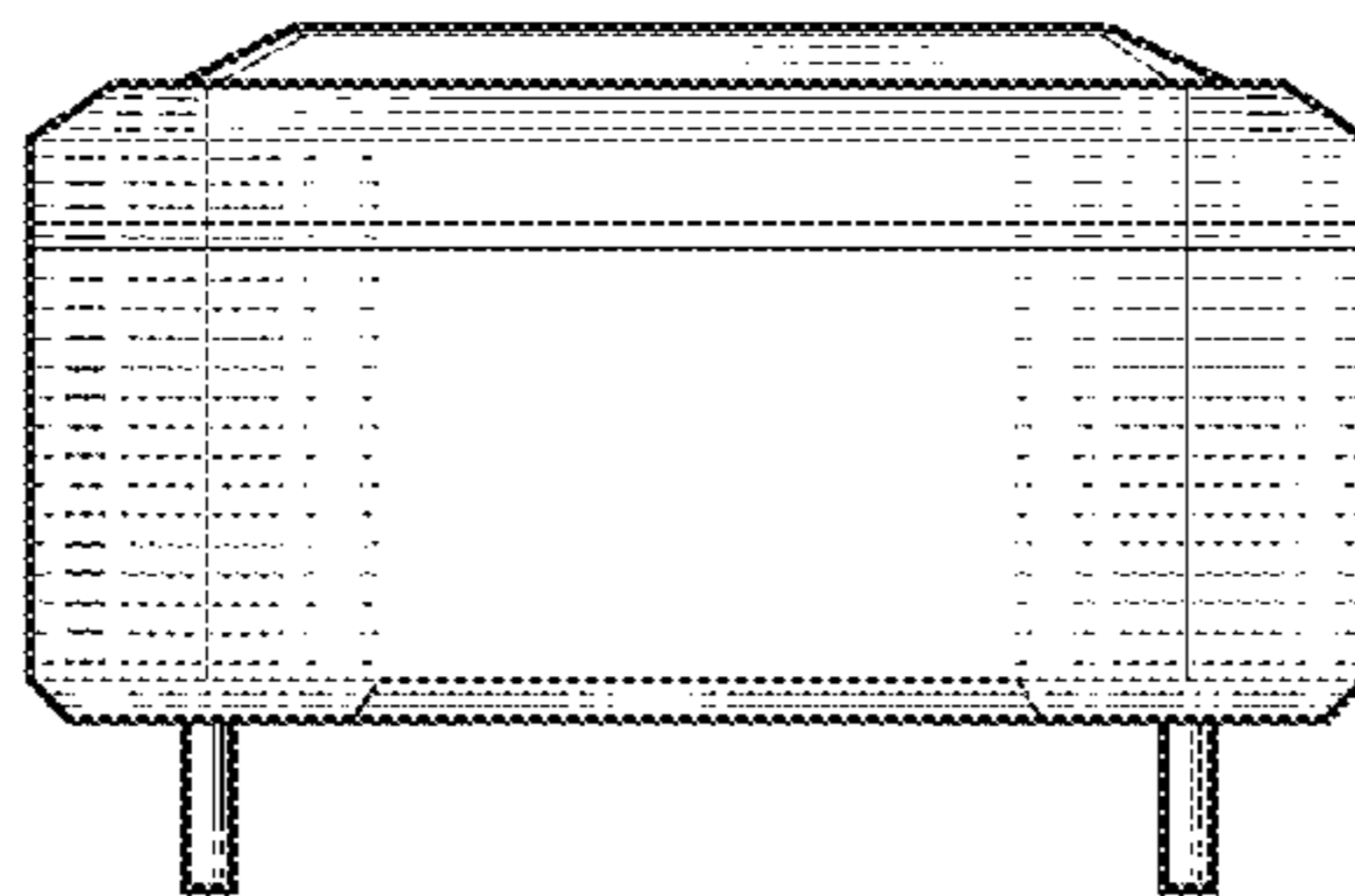


Fig. 7