



US00D879633S

(12) **United States Design Patent**  
**Karbing**

(10) **Patent No.:** **US D879,633 S**

(45) **Date of Patent:** **\*\* Mar. 31, 2020**

(54) **MILKING POINT CONTROL UNIT**

(71) Applicant: **DeLaval Holding AB**, Tumba (SE)

(72) Inventor: **Emil Karbing**, Tumba (SE)

(73) Assignee: **DeLaval Holding AB**, Tumba (SE)

(\*\*) Term: **15 Years**

(21) Appl. No.: **29/669,472**

(22) Filed: **Nov. 8, 2018**

(51) **LOC (12) Cl.** ..... **10-04**

(52) **U.S. Cl.**

USPC ..... **D10/96**; D13/162

(58) **Field of Classification Search**

USPC .... D13/158, 162, 164, 171; D10/40, 46, 49,  
D10/75, 96, 103; D30/199

CPC .. A01J 5/007; A01J 5/01; A01J 5/0138; G01F  
1/64

See application file for complete search history.

(56) **References Cited**

**U.S. PATENT DOCUMENTS**

D275,082 S *	8/1984	Goodin	.....	D10/15
D283,403 S *	4/1986	Chan	.....	D10/15
D284,358 S *	6/1986	Chan	.....	D10/40
D285,420 S *	9/1986	Gremontprez	.....	D10/40
4,922,855 A *	5/1990	Tomizawa	.....	A01J 5/007 119/14.08
D321,489 S *	11/1991	Heimbürger	.....	D10/40
D421,926 S *	3/2000	Bilgery	.....	D10/96
D478,290 S *	8/2003	Hourse	.....	D10/40
D597,867 S *	8/2009	Bernard	.....	D10/103
D624,835 S *	10/2010	Levine	.....	D10/40
D631,765 S *	2/2011	Qian	.....	D10/40
D662,844 S *	7/2012	Guerrero	.....	D10/96
D662,845 S *	7/2012	Guerrero	.....	D10/96
9,339,003 B2 *	5/2016	Bahlenberg	.....	G05B 15/02
D770,101 S *	10/2016	Petroni	.....	D30/199
D780,603 S *	3/2017	Chism	.....	D10/40
D843,330 S *	3/2019	Oe	.....	D13/158
D870,636 S *	12/2019	Boykin	.....	D12/317

2003/0130808 A1 *	7/2003	Kapitulskiy	.....	A01J 5/01 702/45
2007/0289536 A1 *	12/2007	Dunn	.....	A01J 5/01 119/14.14
2008/0066685 A1 *	3/2008	Rysewyk	.....	A01J 5/0138 119/14.14
2011/0283810 A1 *	11/2011	Hoefelmayer	.....	G01F 11/284 73/861.53
2015/0068322 A1 *	3/2015	Kinlen	.....	G01F 1/64 73/861.08

(Continued)

**OTHER PUBLICATIONS**

SmartControl; prior to Nov. 8, 2018; 1 pg.; [https://www.google.com/search?hl=en&biw=2048&bih=717&tbm=isch&sxsrf=ACYBGNSme5RXLq32bmSDFjWTVUuxcH8Acg%3A1578434402689&sa=1&ei=Yv8UXr3dKe2H\\_Qbr4aqYDA&q=milking+controller+before%3A2018-11-08&oq=+milking+controller+before%3A2018-11-08&gs\\_l=img.12...26549.26549..28959.\\*](https://www.google.com/search?hl=en&biw=2048&bih=717&tbm=isch&sxsrf=ACYBGNSme5RXLq32bmSDFjWTVUuxcH8Acg%3A1578434402689&sa=1&ei=Yv8UXr3dKe2H_Qbr4aqYDA&q=milking+controller+before%3A2018-11-08&oq=+milking+controller+before%3A2018-11-08&gs_l=img.12...26549.26549..28959.*)

(Continued)

*Primary Examiner* — Selina Sikder

(74) *Attorney, Agent, or Firm* — Young & Thompson

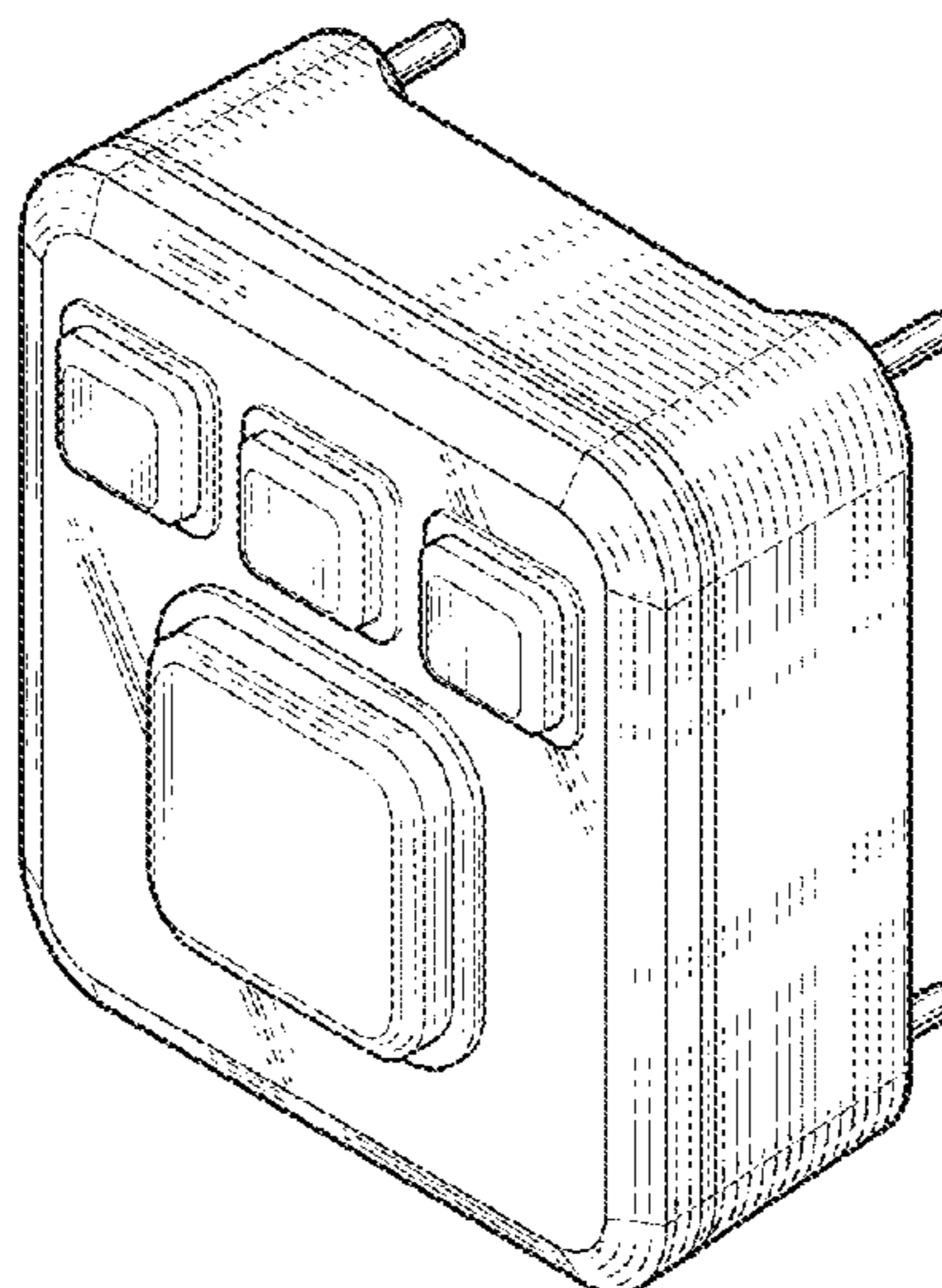
(57) **CLAIM**

The ornamental design for a milking point control unit, as shown and described.

**DESCRIPTION**

FIG. 1 is a front, left side, and top perspective view of a milking point control unit showing the new design; FIG. 2 is a left side elevation view thereof; FIG. 3 is a front elevation view thereof; FIG. 4 is a right side elevation view thereof; FIG. 5 is a top plan view thereof; FIG. 6 is a rear elevation view thereof; and, FIG. 7 is a bottom plan view thereof. The broken lines shown in the drawings illustrate portions of the milking point control unit that from no part of the claimed design.

**1 Claim, 3 Drawing Sheets**



(56)

**References Cited**

U.S. PATENT DOCUMENTS

2019/0045737 A1\* 2/2019 Seehafer ..... A01J 5/007

OTHER PUBLICATIONS

DelLval Miling points; prior to Nov. 8, 2018; 1 pg.; [https://www.google.com/search?hl=en&biw=2048&bih=717&tbm=isch&sxsrf=ACYBGNSme5RXLq32bmSDFjWTVUuxcH8Acg%3A1578434402689&sa=1&ei=Yv8UXr3dKe2H\\_Qbr4aqYDA&q=+milking+controller+before%3A2018-11-08&oq=+milking+controller+before%3A2018-11-08&gs\\_l=img.12...26549.26549.\\*](https://www.google.com/search?hl=en&biw=2048&bih=717&tbm=isch&sxsrf=ACYBGNSme5RXLq32bmSDFjWTVUuxcH8Acg%3A1578434402689&sa=1&ei=Yv8UXr3dKe2H_Qbr4aqYDA&q=+milking+controller+before%3A2018-11-08&oq=+milking+controller+before%3A2018-11-08&gs_l=img.12...26549.26549.*)

\* cited by examiner

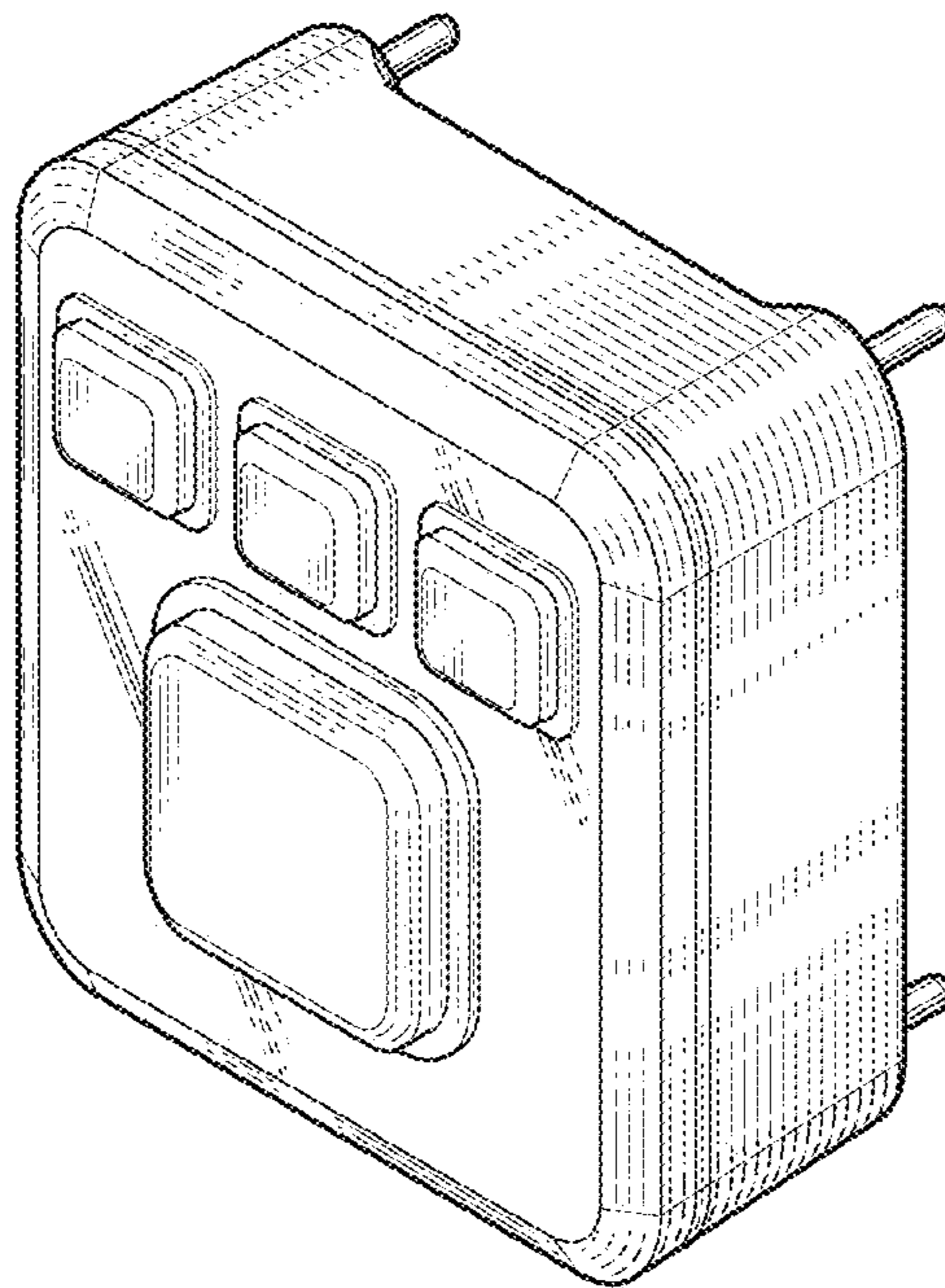


Fig. 1

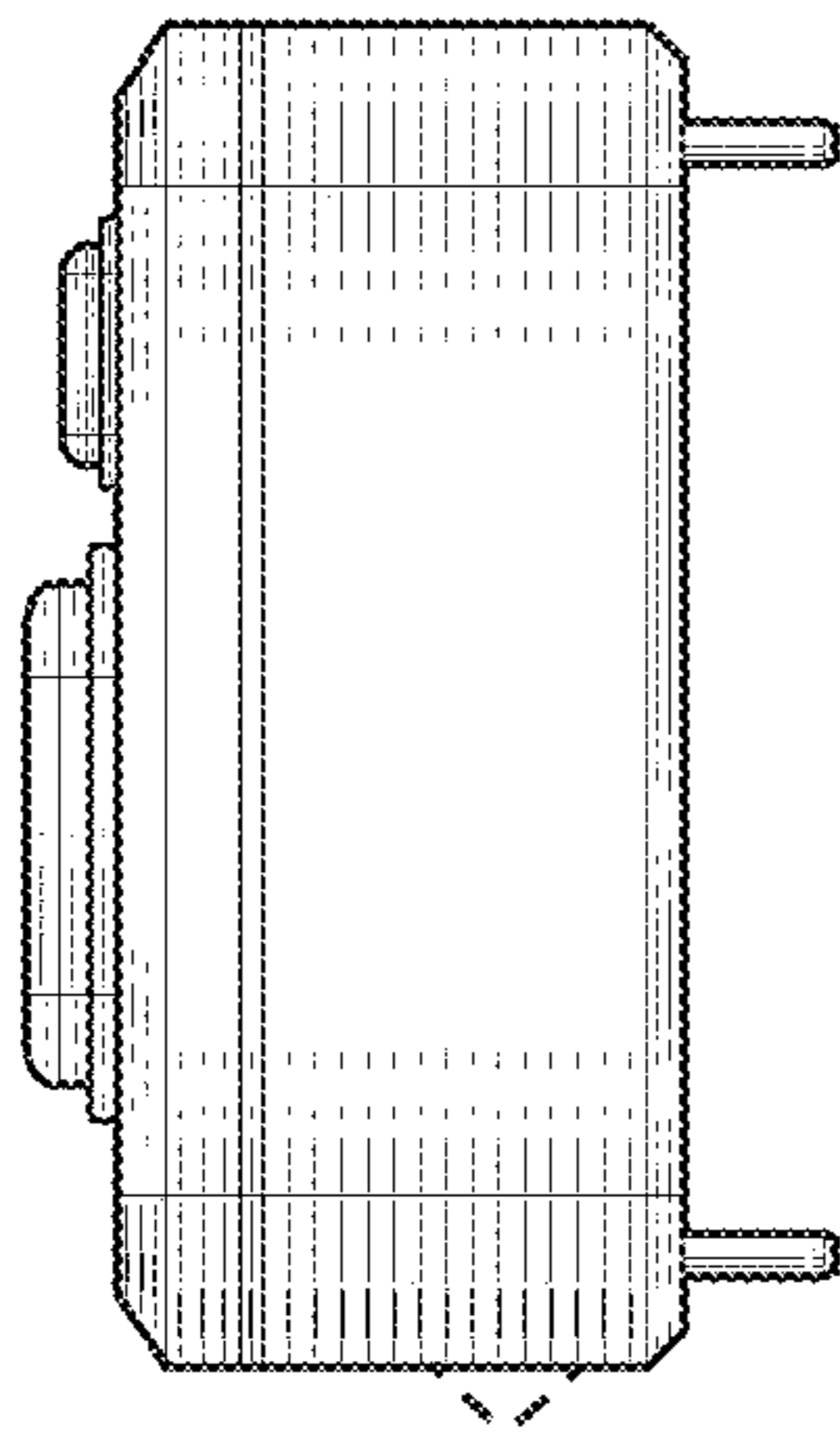


Fig. 2

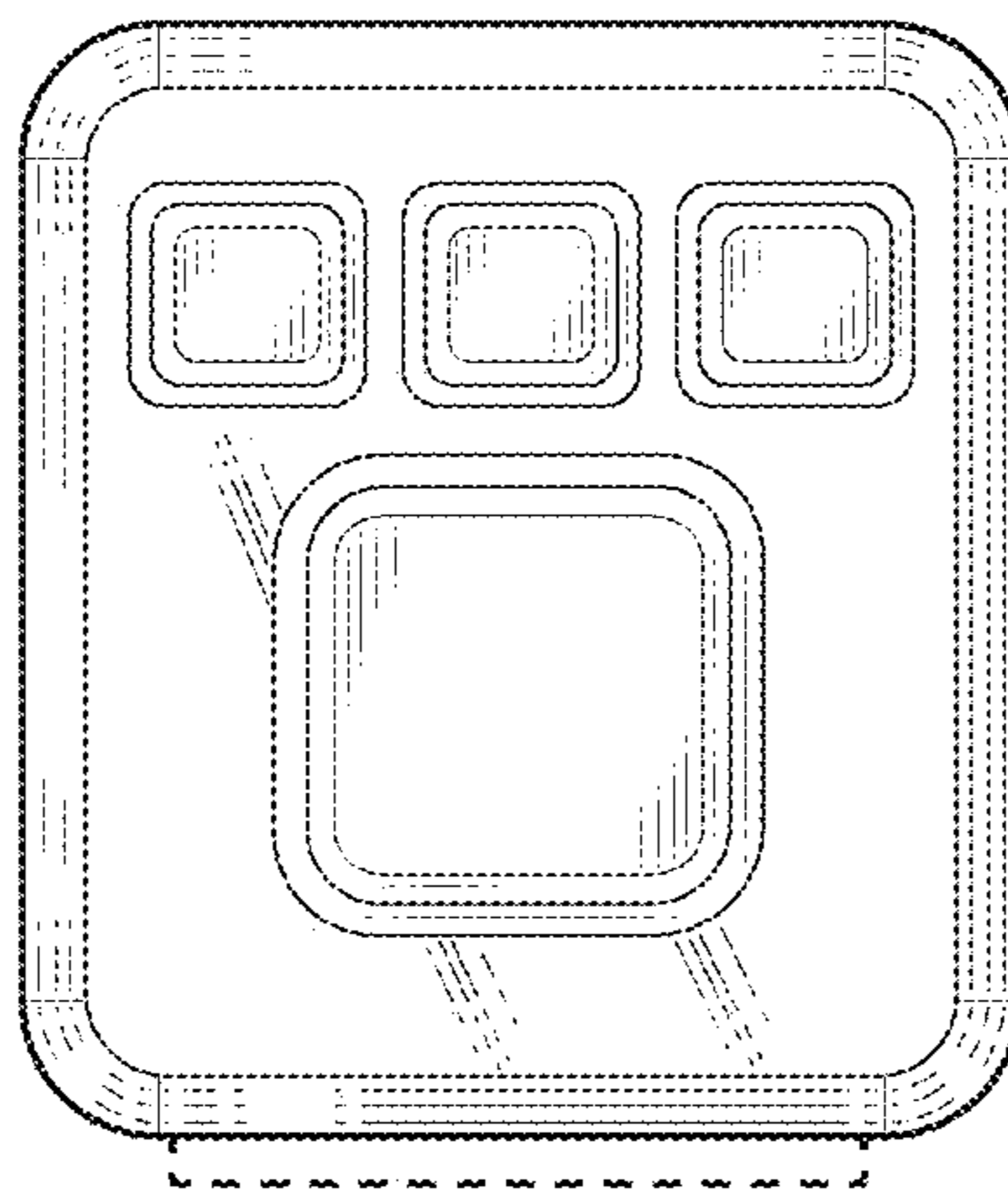


Fig. 3

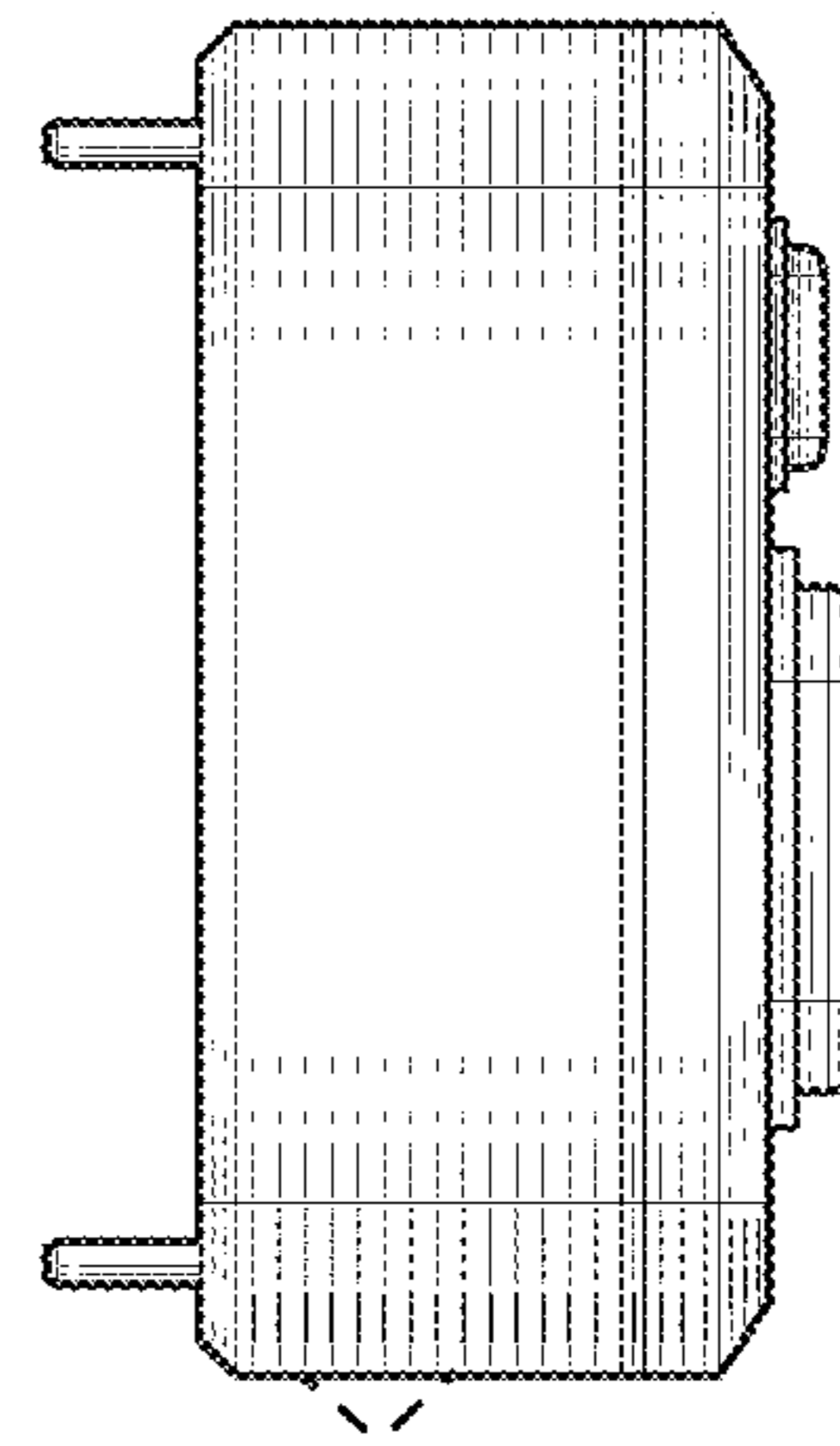


Fig. 4

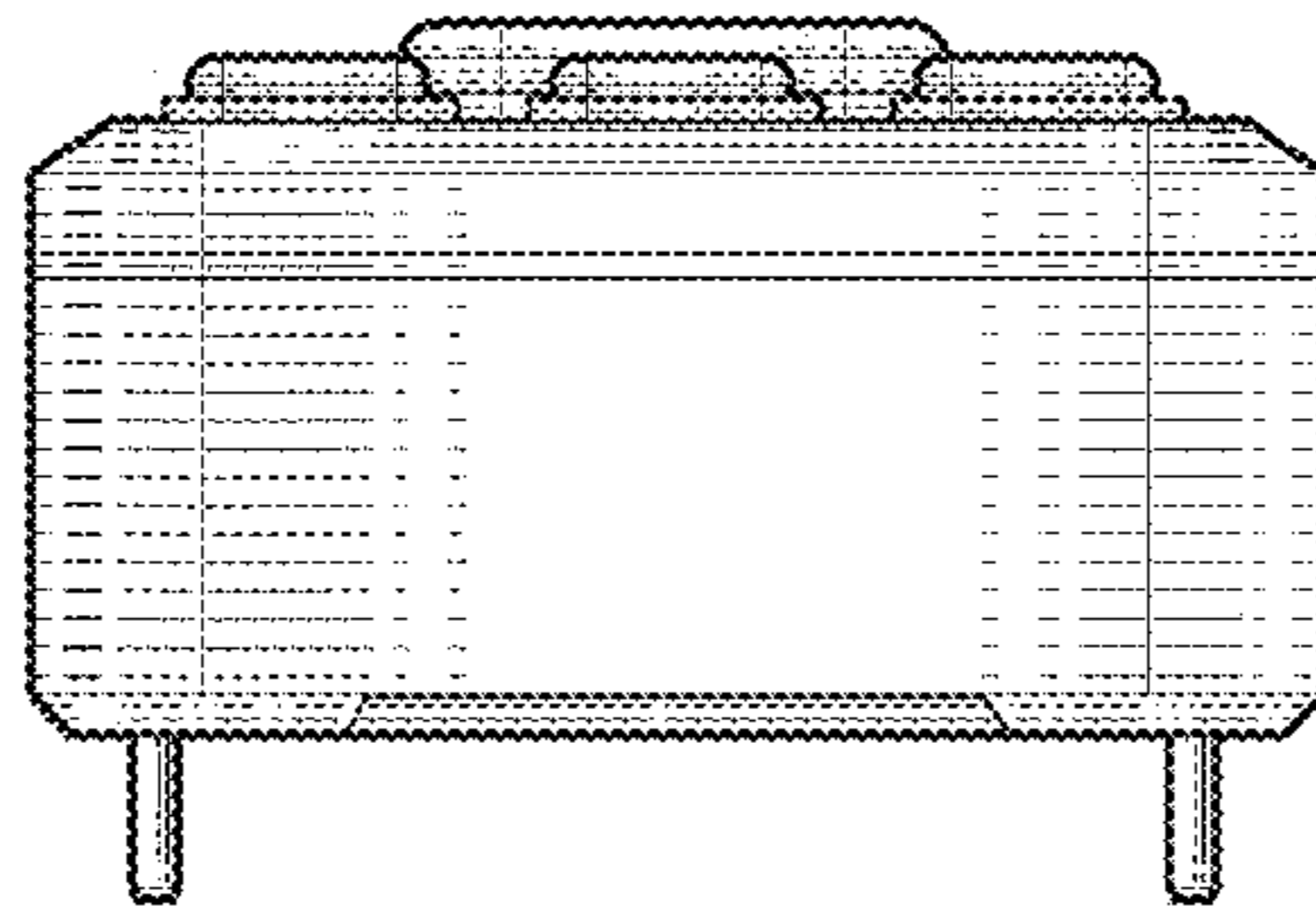


Fig. 5

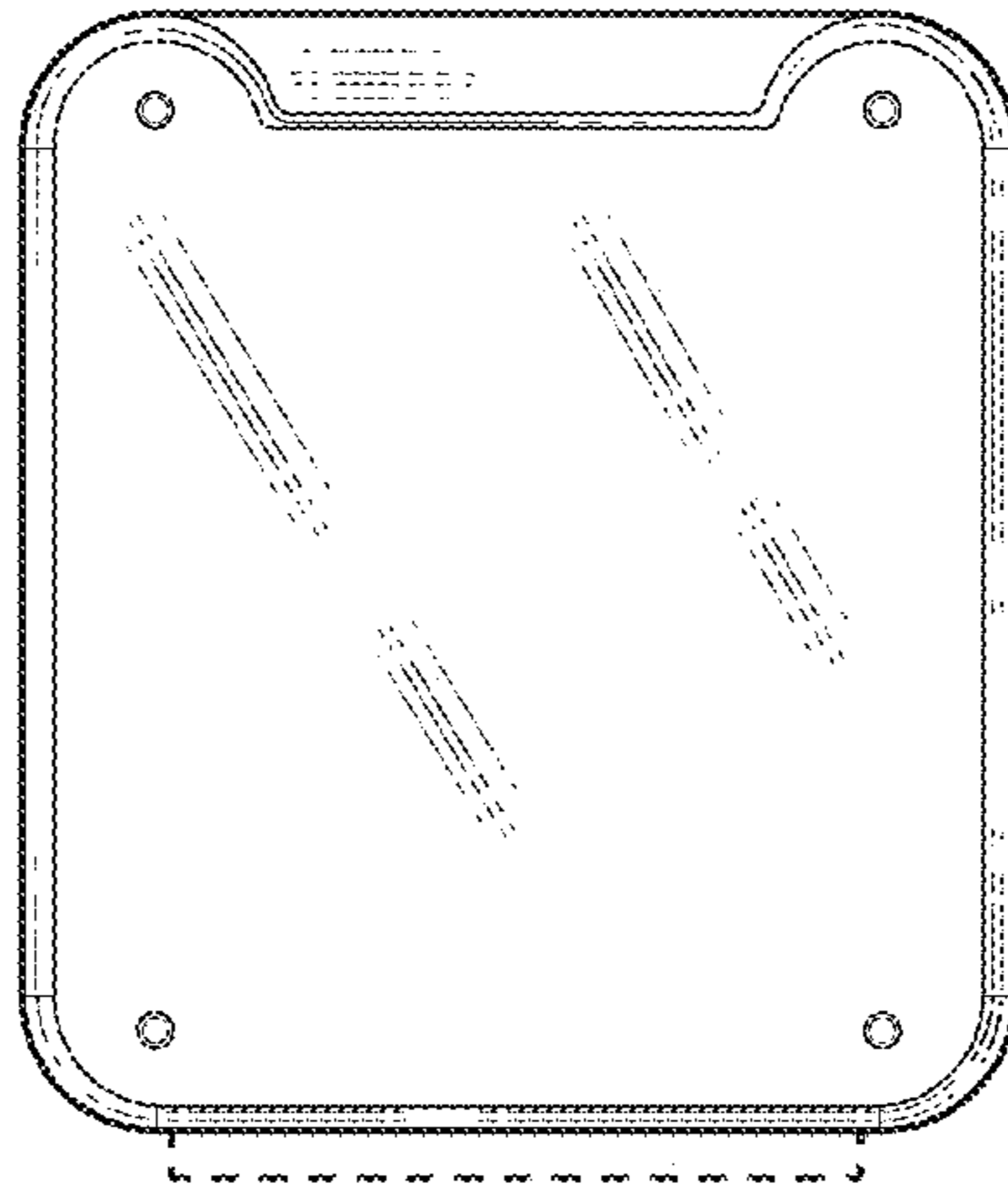


Fig. 6

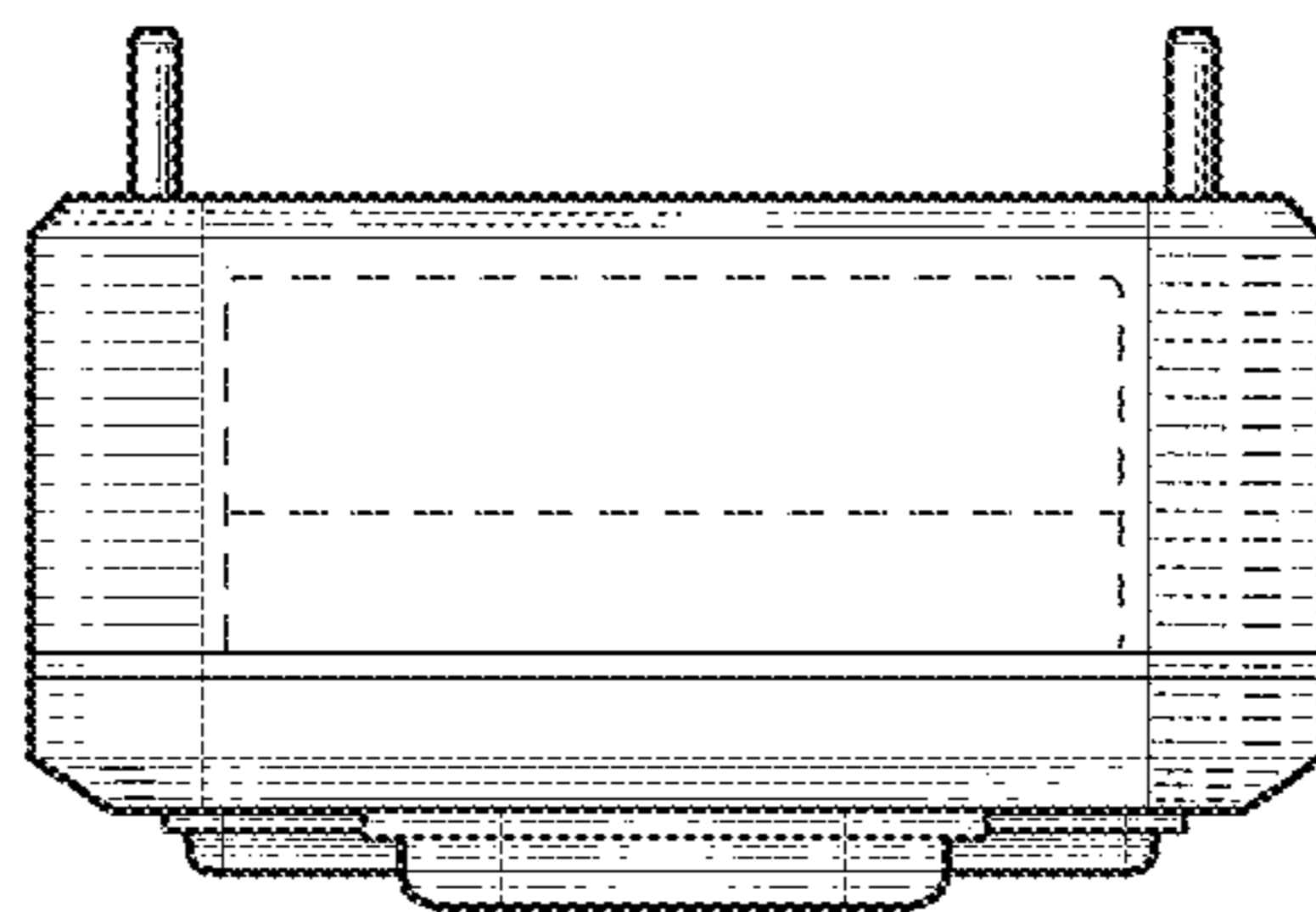


Fig. 7