



US00D879630S

(12) **United States Design Patent**  
**Barth et al.**

(10) **Patent No.:** **US D879,630 S**  
(45) **Date of Patent:** **\*\* Mar. 31, 2020**

(54) **MODULE OF A MODULAR CURRENT MONITORING SYSTEM**

*Primary Examiner* — Antoine Duval Davis  
(74) *Attorney, Agent, or Firm* — Walter Ottesen, P.A.

(71) Applicant: **Murrelektronik GmbH**, Oppenweiler (DE)

(72) Inventors: **Guenter Barth**, Fichtenberg (DE); **Angelo Algeri**, Flein (DE); **Patrick Carretero Aquilar**, Gemmrigheim (DE)

(73) Assignee: **Murrelektronik GmbH**, Oppenweiler (DE)

(\*\*) Term: **15 Years**

(21) Appl. No.: **29/689,770**

(22) Filed: **May 1, 2019**

**Related U.S. Application Data**

(62) Division of application No. 29/613,792, filed on Aug. 14, 2017, now Pat. No. Des. 852,658.

(51) **LOC (12) Cl.** ..... **10-04**

(52) **U.S. Cl.**  
USPC ..... **D10/75**

(58) **Field of Classification Search**  
USPC ..... D10/75  
CPC ... G01R 1/00; G01R 1/02; G01R 1/04; G01R 1/07; G01R 1/22; G01R 1/06772; G01R 1/06788; G01R 13/407; G01R 15/205; G01R 15/207; G01R 15/125; G01R 15/181; G01R 15/186; G01R 15/202; G01R 15/18;

(Continued)

(56) **References Cited**

**U.S. PATENT DOCUMENTS**

D377,339 S 1/1997 Beruscha et al.  
D798,171 S 9/2017 Blier et al.  
10,330,699 B2\* 6/2019 Olivier ..... B23K 26/21

\* cited by examiner

(57) **CLAIM**

The ornamental design for a module of a modular current monitoring system, as shown and described.

**DESCRIPTION**

FIG. 1 is a first perspective view of a first embodiment of a module of a modular current monitoring system of our new design;

FIG. 2 is a second perspective view of the module of FIG. 1;

FIG. 3 is a third perspective view of the module of FIG. 1;

FIG. 4 is a top plan view of the module of FIG. 1;

FIG. 5 is a bottom plan view of the module of FIG. 1;

FIG. 6 is a front elevation view of the module of FIG. 1;

FIG. 7 is a rear elevation view of the module of FIG. 1;

FIG. 8 is a left side elevation view of the module of FIG. 1;

FIG. 9 is a right side elevation view of the module of FIG. 1;

FIG. 10 is a first perspective view of a second embodiment of a module of a modular current monitoring system of our new design;

FIG. 11 is a second perspective view of the module of FIG. 10;

FIG. 12 is a third perspective view of the module of FIG. 10;

FIG. 13 is a top plan view of the module of FIG. 10;

FIG. 14 is a bottom plan view of the module of FIG. 10;

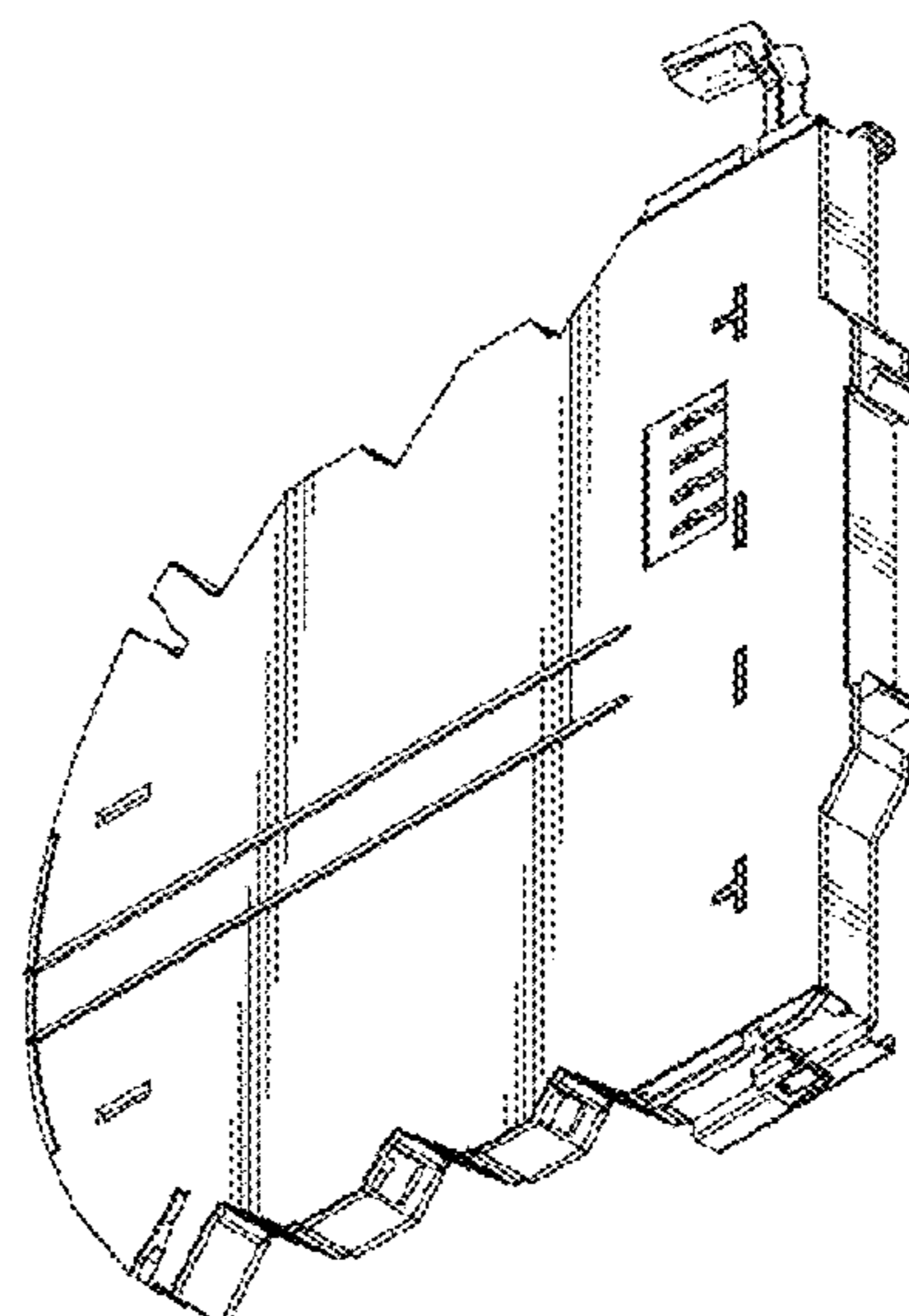
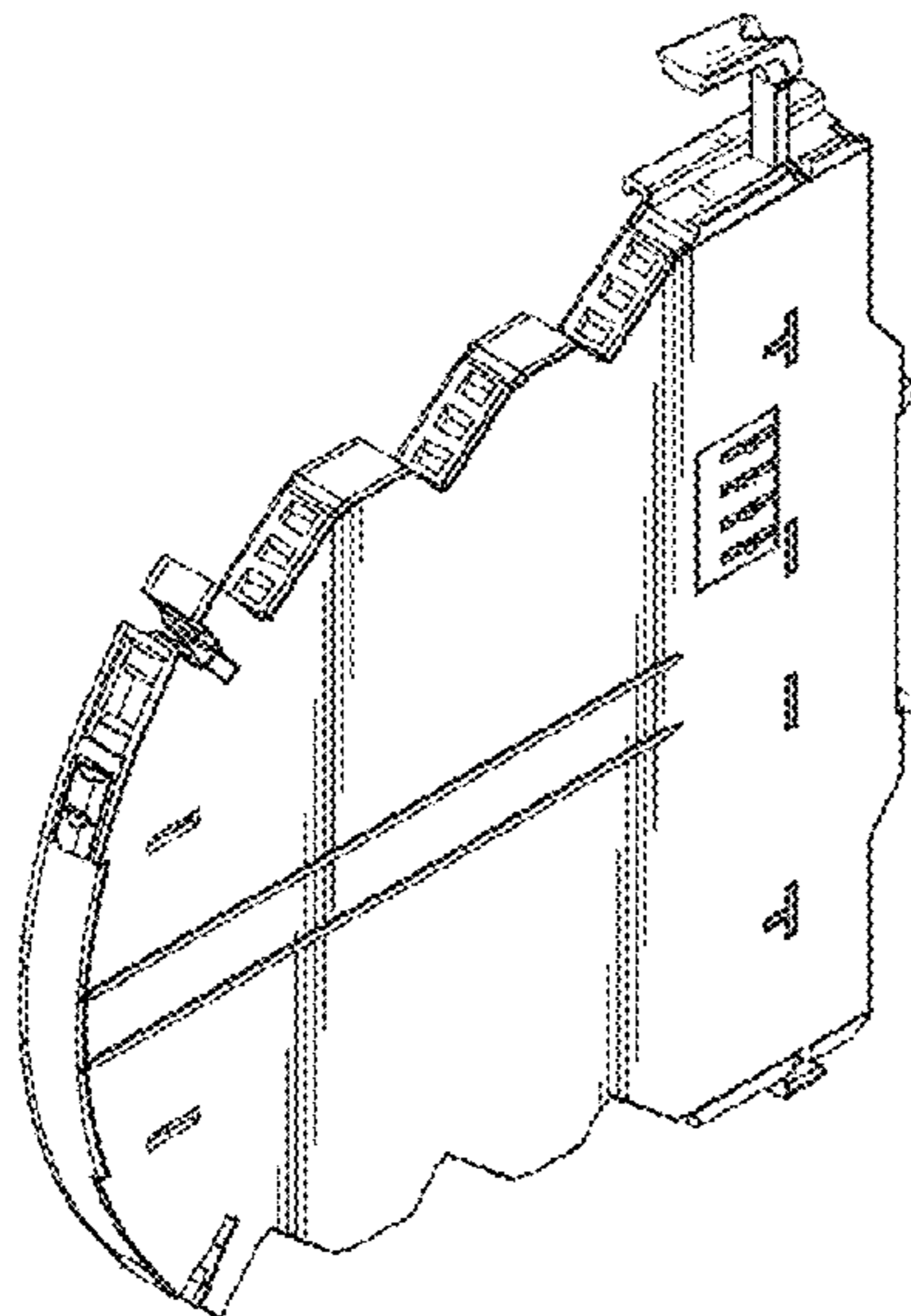
FIG. 15 is a front elevation view of the module of FIG. 10;

FIG. 16 is a rear elevation view of the module of FIG. 10;

FIG. 17 is a left side elevation view of the module of FIG. 10; and,

FIG. 18 is a right side elevation view of the module of FIG. 10.

**1 Claim, 10 Drawing Sheets**



(58) **Field of Classification Search**

CPC ... G01R 15/185; G01R 15/188; G01R 15/20;  
G01R 15/148; G01R 15/183; G01R  
19/003; G01R 19/0092; H02G 5/04

See application file for complete search history.

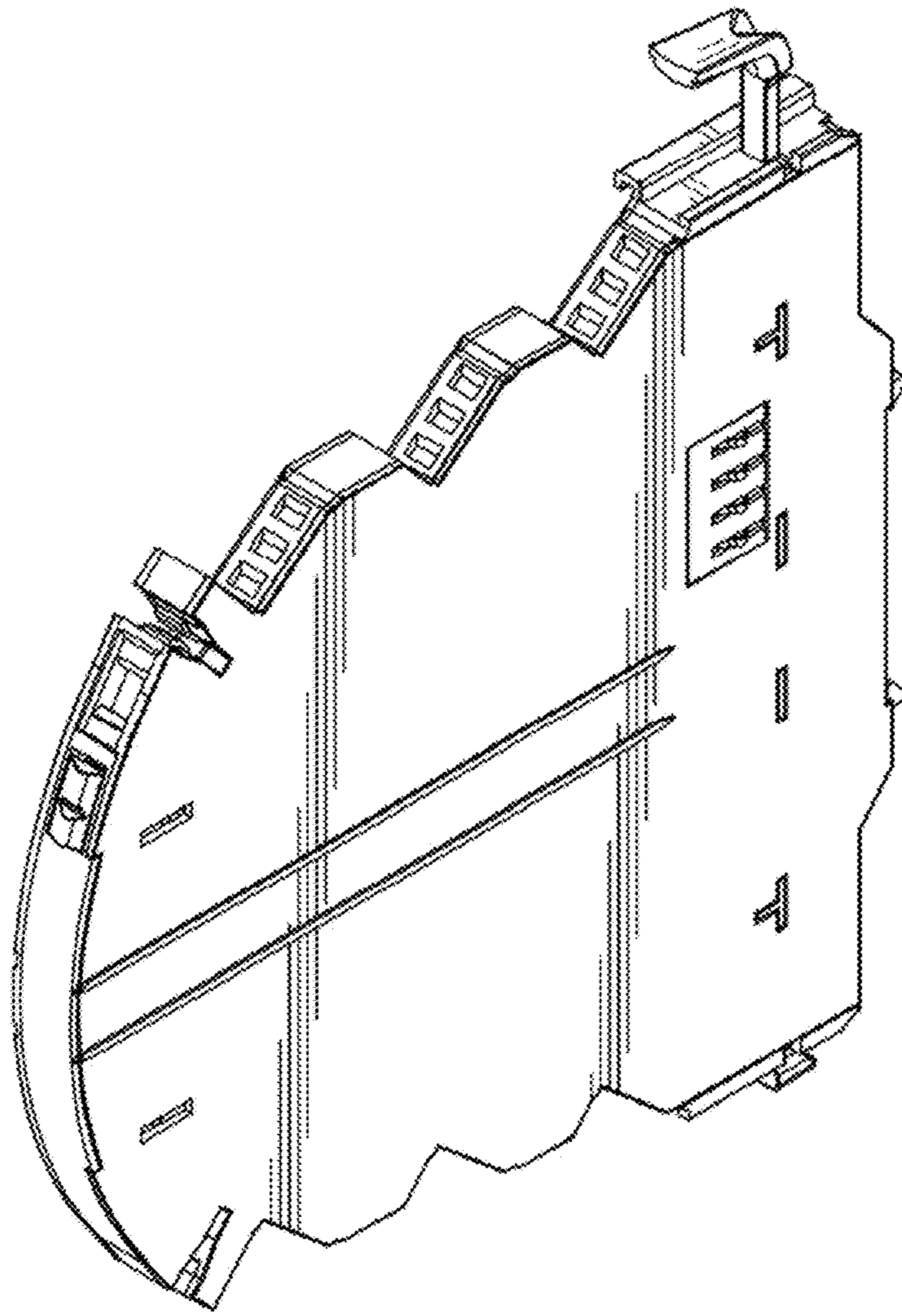
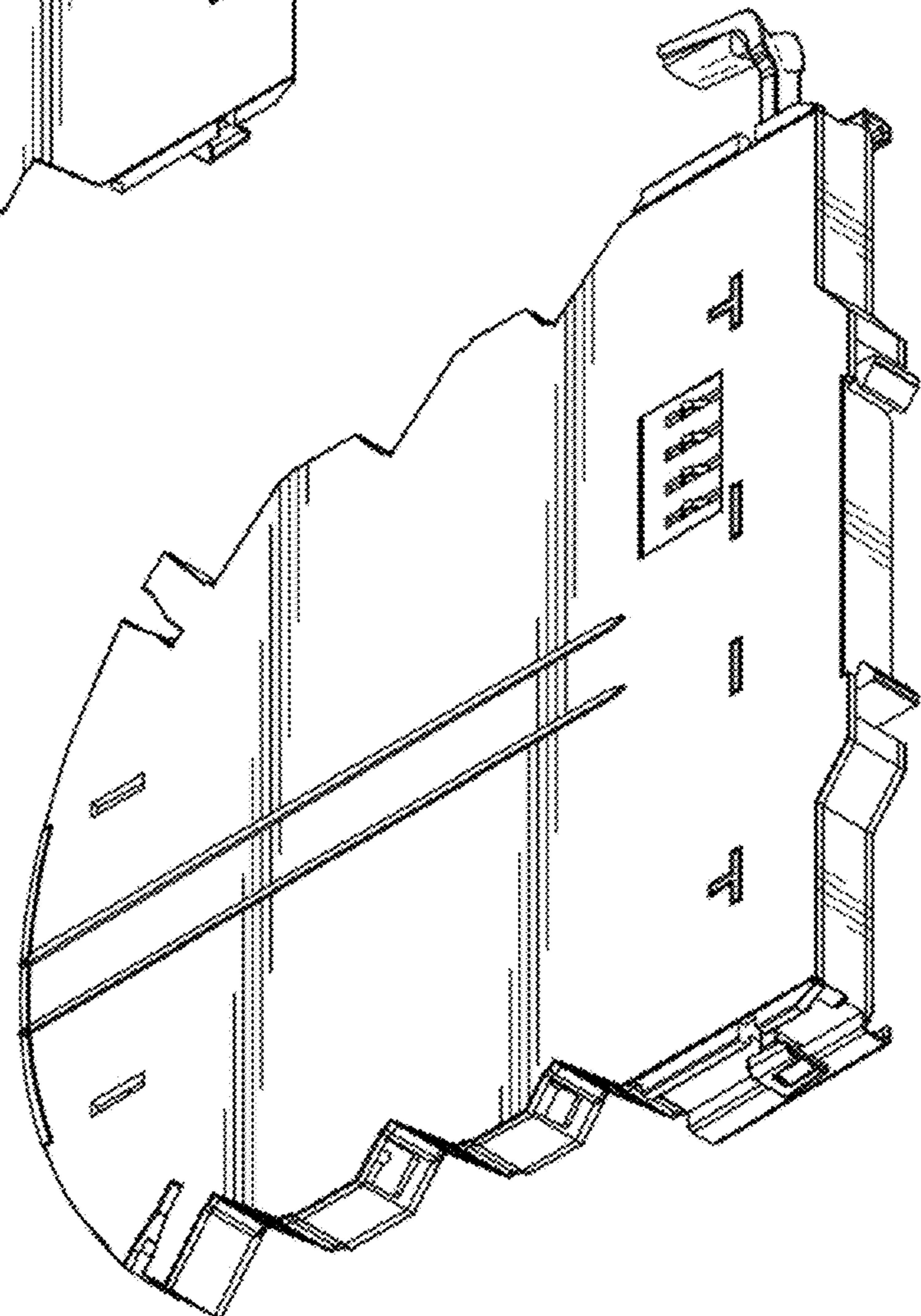


FIG. 1

FIG. 2





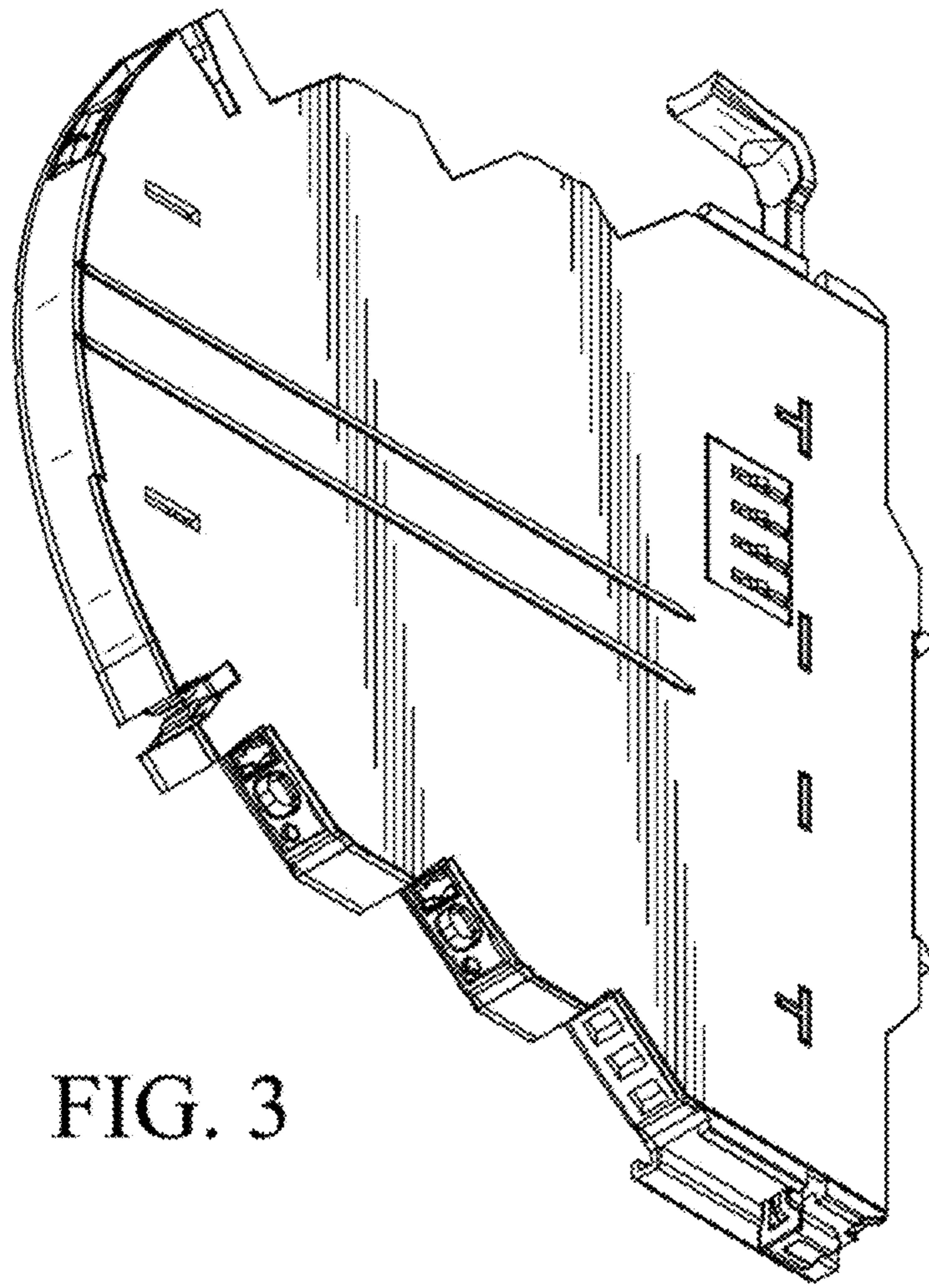


FIG. 3

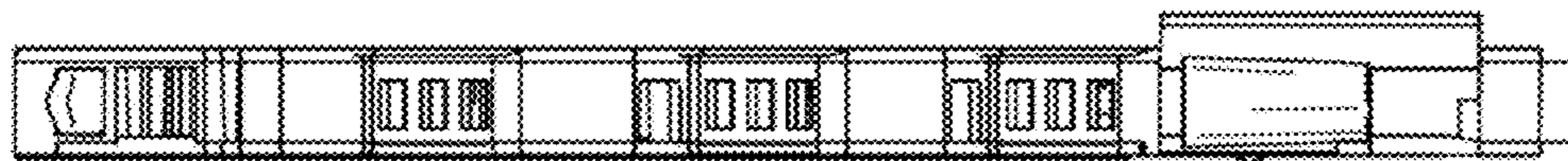


FIG. 4



FIG. 5



FIG. 6

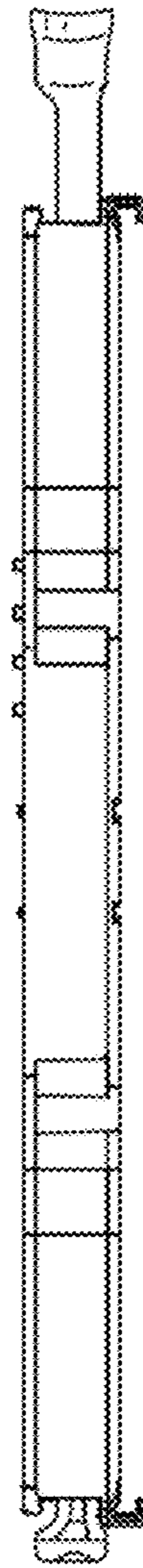


FIG. 7

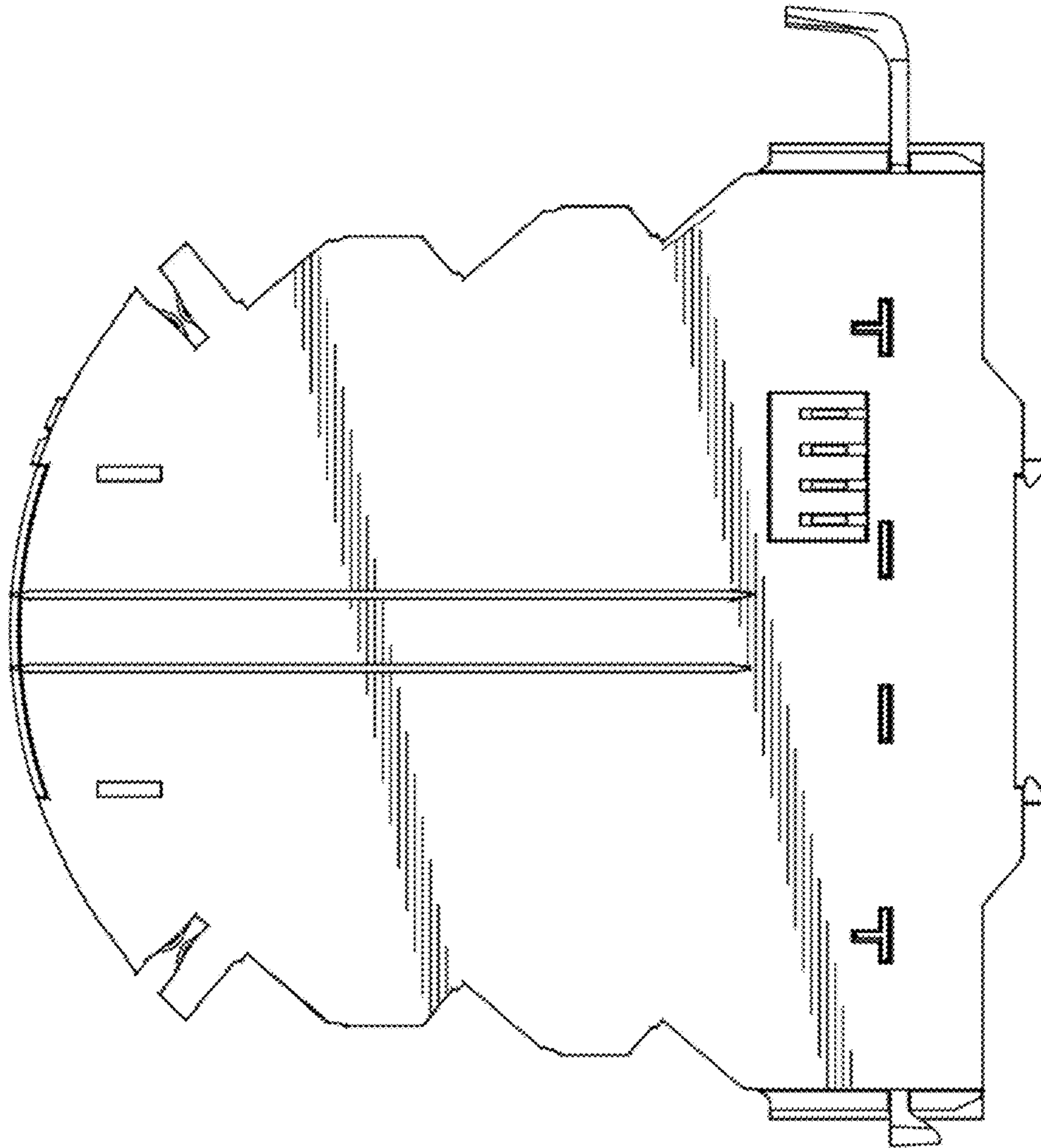


FIG. 8

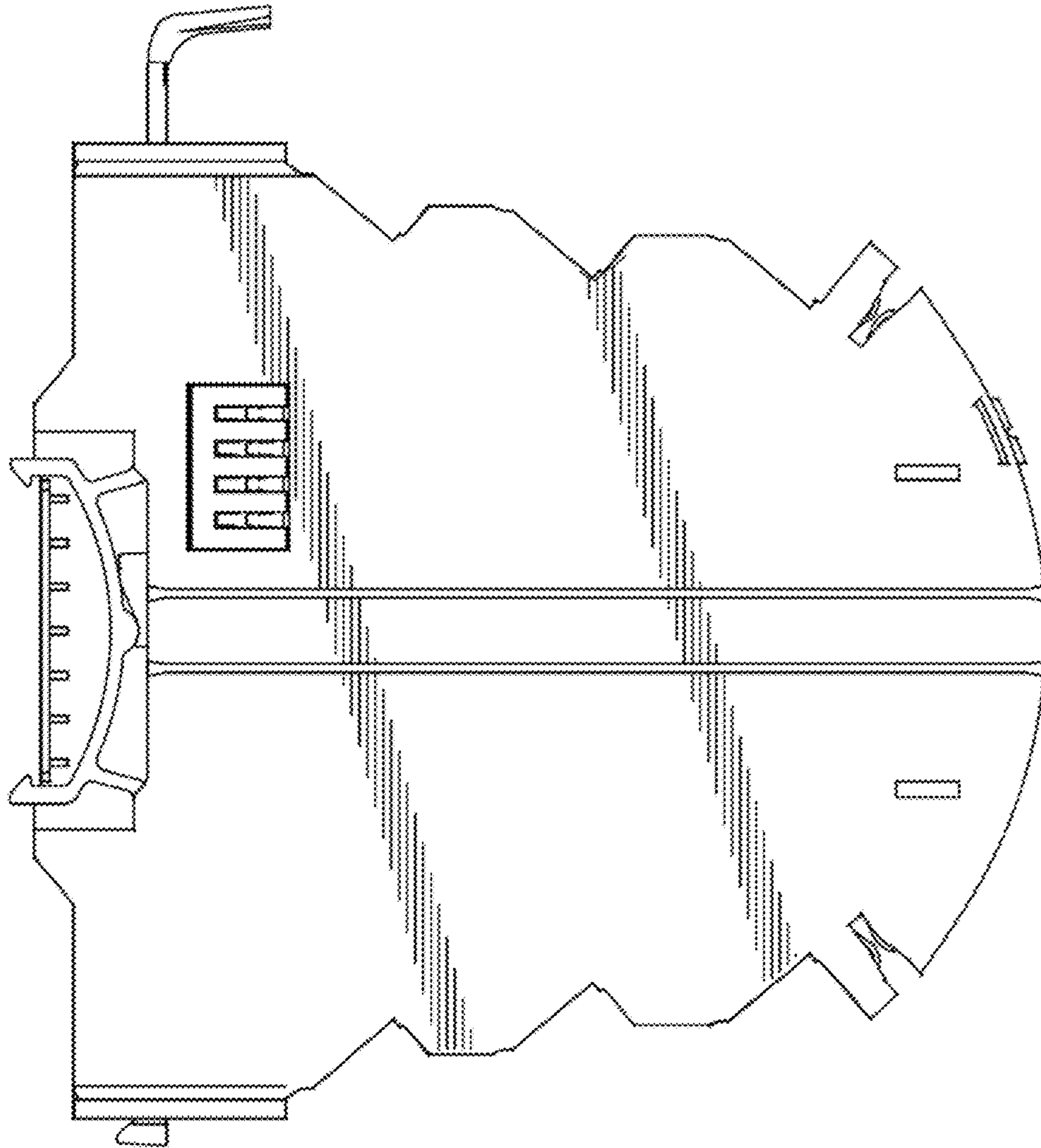


FIG. 9



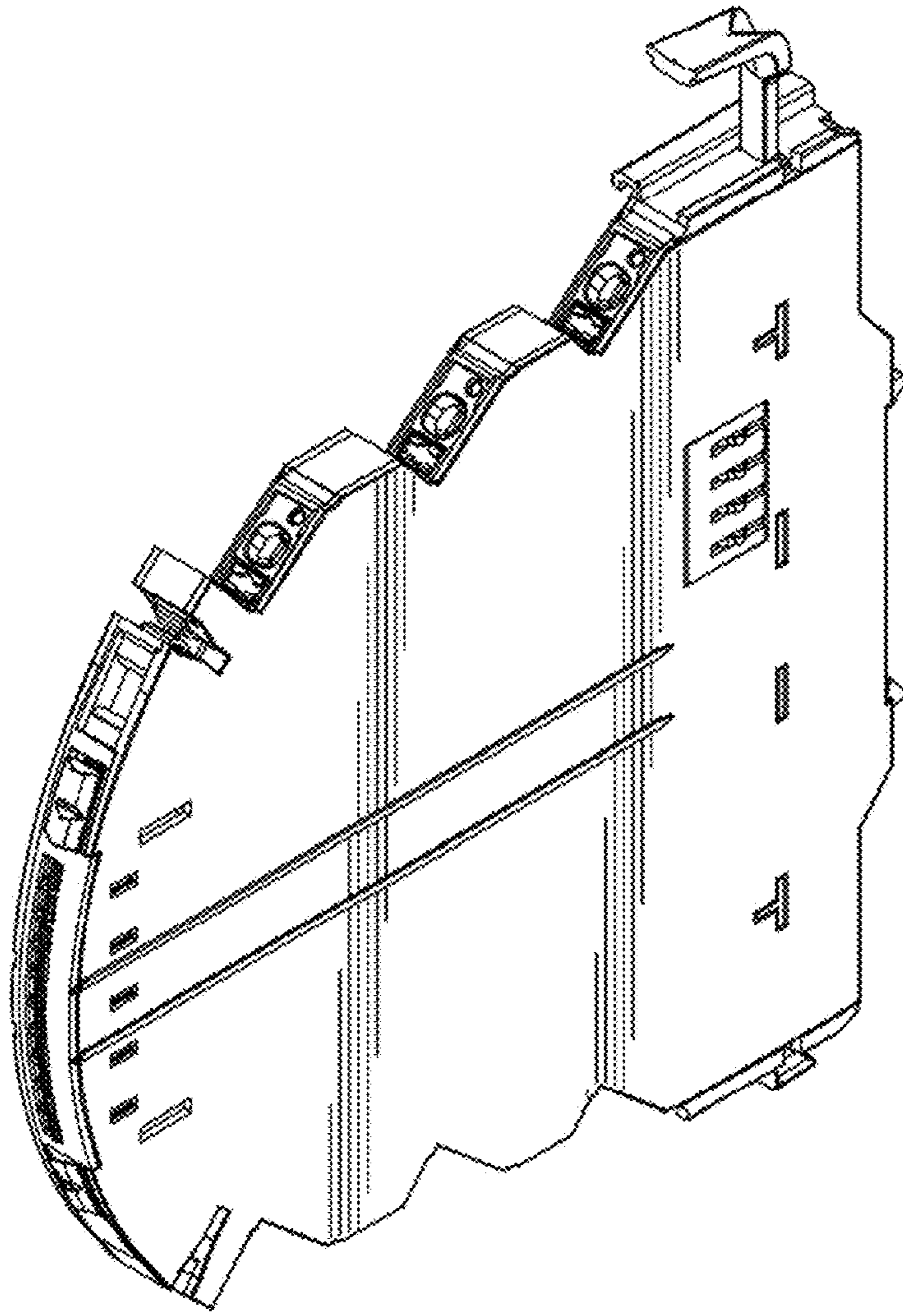


FIG. 10

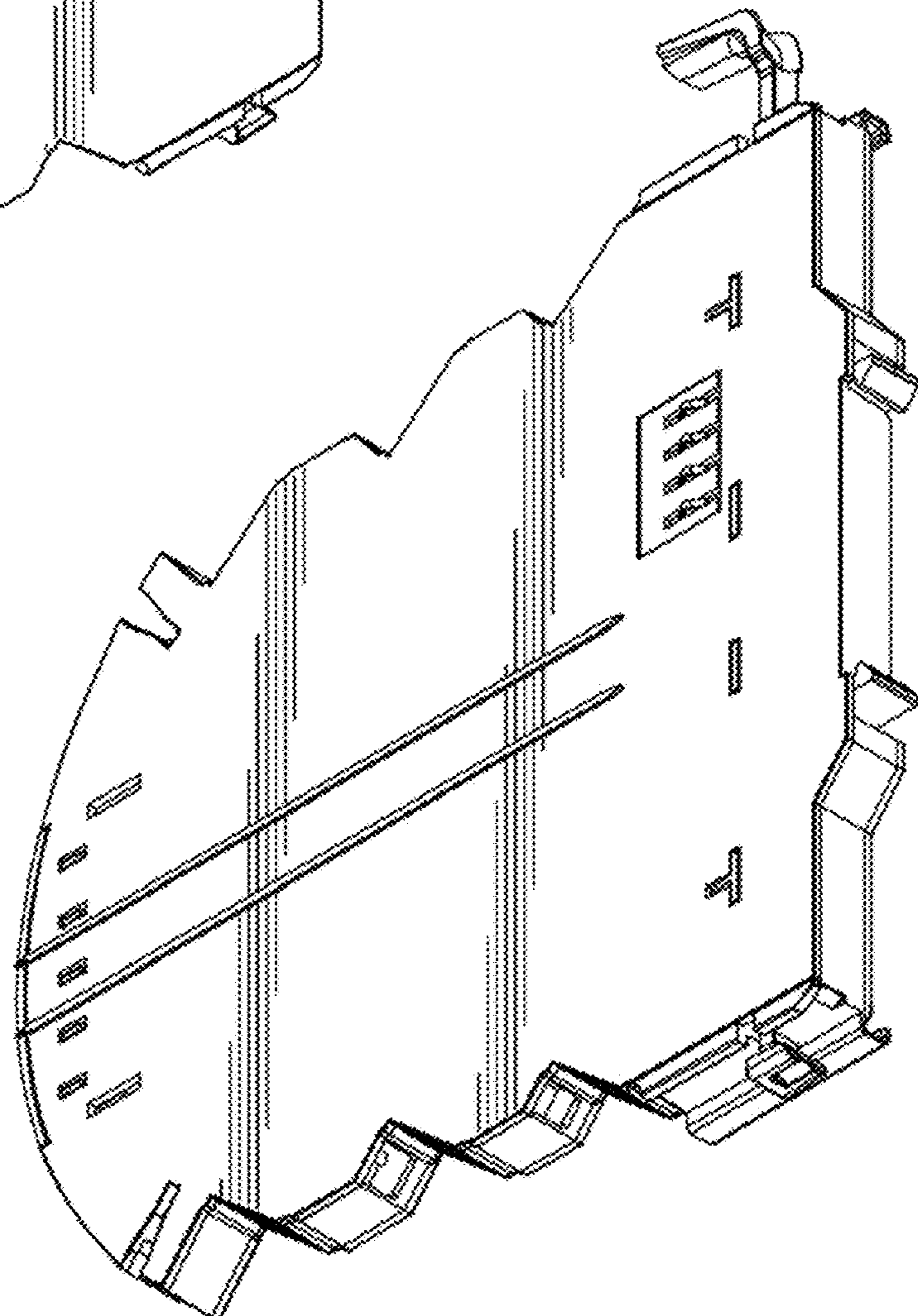


FIG. 11



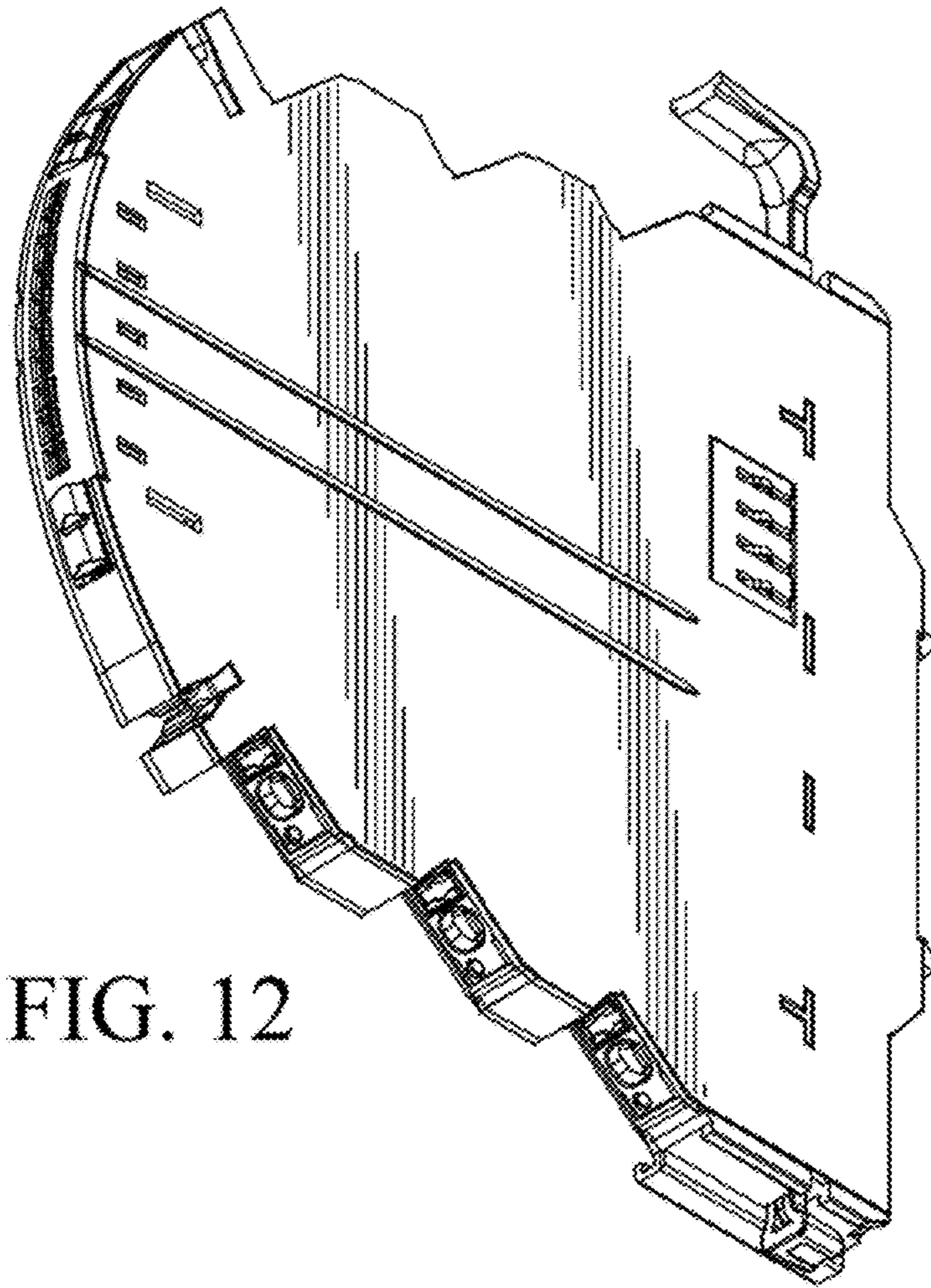


FIG. 12



FIG. 13



FIG. 14

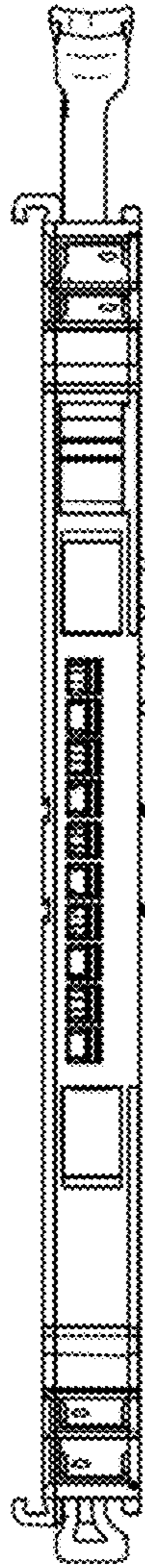


FIG. 15

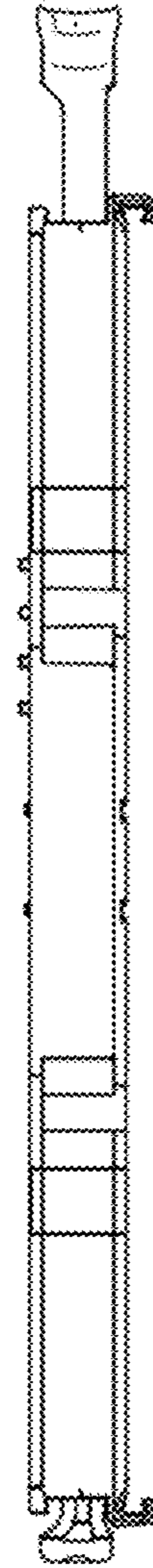


FIG. 16

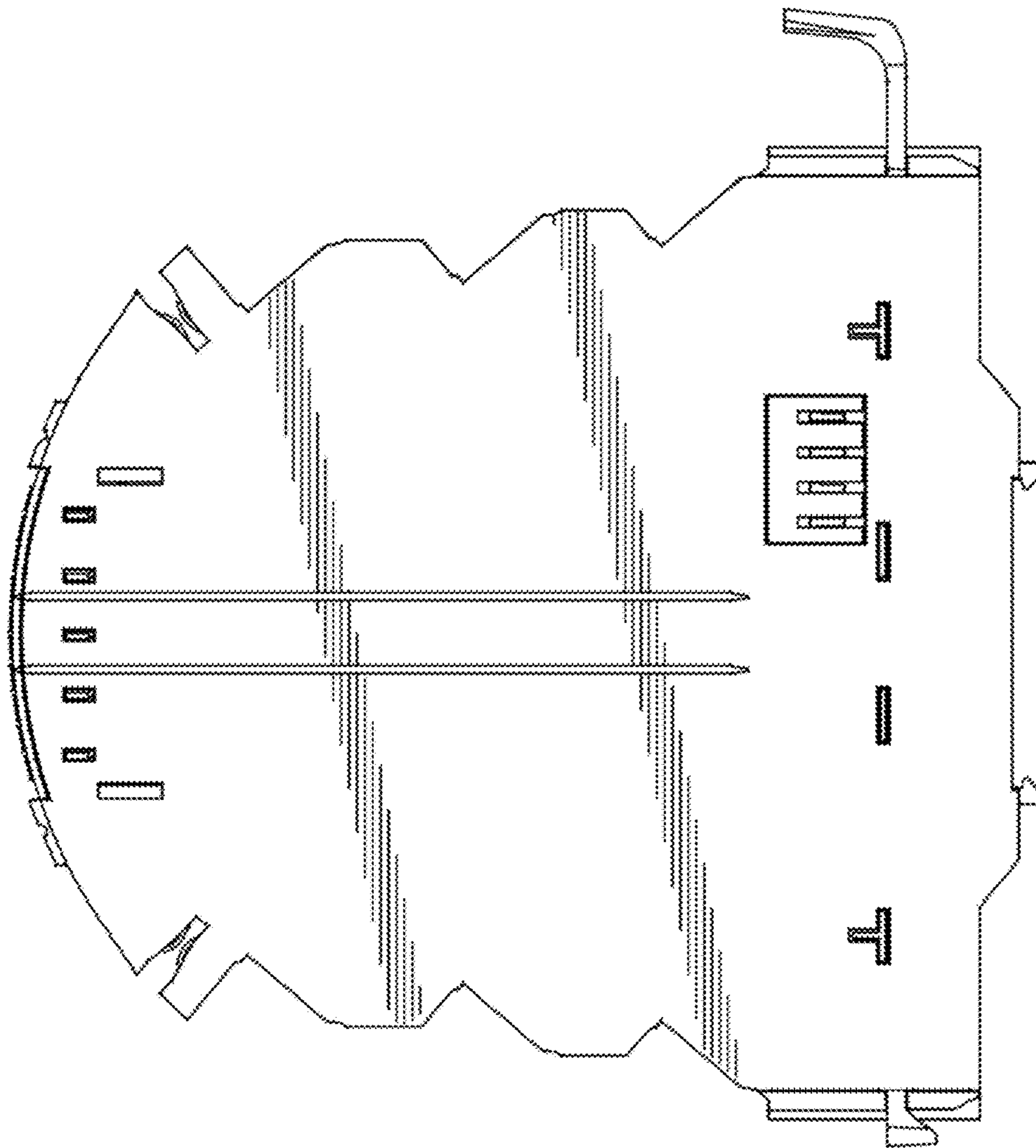


FIG. 17



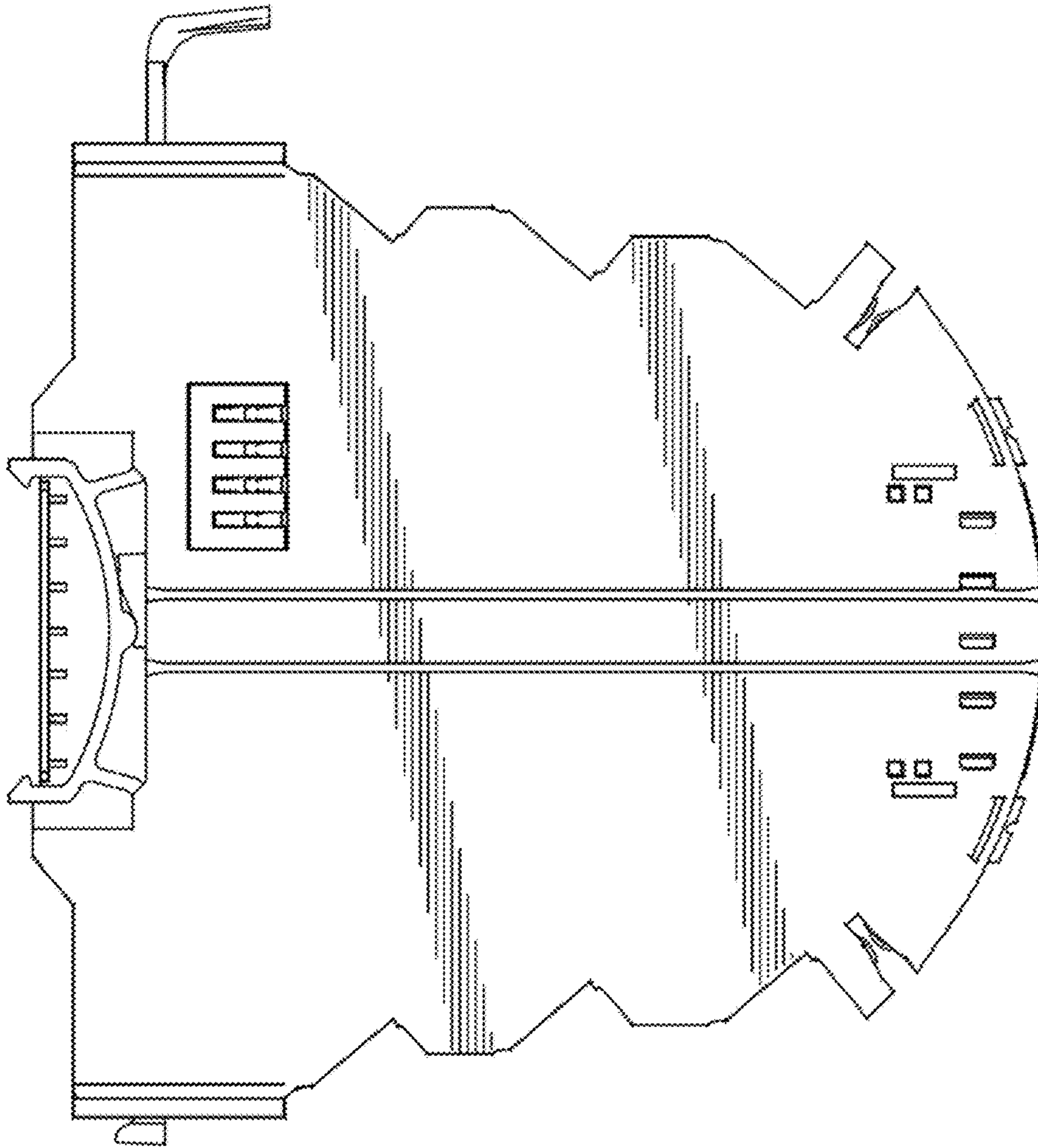


FIG. 18